

US00D975249S

(12) **United States Design Patent** (10) **Patent No.:** **US D975,249 S**
Crisp et al. (45) **Date of Patent:** **** Jan. 10, 2023**

(54) **ADAPTER FOR HOSE HEAD**
(71) Applicants: **Gregory Crisp**, North Hills, CA (US);
Grant S. Parrinello, Chatsworth, CA (US)
(72) Inventors: **Gregory Crisp**, North Hills, CA (US);
Grant S. Parrinello, Chatsworth, CA (US)

D480,783 S * 10/2003 Sciulli D23/213
D568,969 S * 5/2008 Bucchi D23/262
D588,765 S 3/2009 Medema
7,509,925 B2 3/2009 Embry
D594,096 S * 6/2009 Bucchi D23/262
D597,715 S 8/2009 Barker
D606,716 S 12/2009 Crevling
D607,621 S 1/2010 Siegler
D621,566 S 8/2010 Crawley
7,963,253 B1 6/2011 Bauknecht
(Continued)

(**) Term: **15 Years**

(21) Appl. No.: **29/738,814**

(22) Filed: **Jun. 19, 2020**

(51) **LOC (14) Cl.** **23-01**

(52) **U.S. Cl.**
USPC **D23/262**

(58) **Field of Classification Search**
USPC D23/213, 223, 233, 249, 250, 253, 259,
D23/260, 262-269, 323, 333; D7/300.1,
D7/313, 509, 510, 523; D14/188, 194,
D14/195, 204, 221, 228; D26/26, 37, 40,
D26/46, 49, 93, 104, 105; D15/7
CPC F15B 11/064; F15B 11/068; F15B 11/072;
F15B 11/0725; F17C 5/06; F16L 1/00;
F16L 9/00; F16L 13/00; F16L 13/146;
F16L 2101/00; F16L 17/035; Y10S 92/01;
Y10S 102/70; A47L 9/02; A47L 9/24;
A47L 9/242; A47L 9/244; A47L 9/248
See application file for complete search history.

(56) **References Cited**

U.S. PATENT DOCUMENTS

D135,262 S * 3/1943 Corley D23/262
D254,802 S * 4/1980 Hayes D23/262
D347,467 S * 5/1994 Medvick D23/262
D369,648 S * 5/1996 Fowler D23/223
D405,570 S 2/1999 Broecking
D470,633 S 2/2003 Kitts
D479,636 S 9/2003 Kitts

OTHER PUBLICATIONS

Design U.S. Appl. No. 29/738,814, filed Jun. 19, 2020; Crisp and Parrinello; "An Adapter for Hose Head."
(Continued)

Primary Examiner — Gino Colan
Assistant Examiner — David Obrien
(74) *Attorney, Agent, or Firm* — Law Office of David Hong

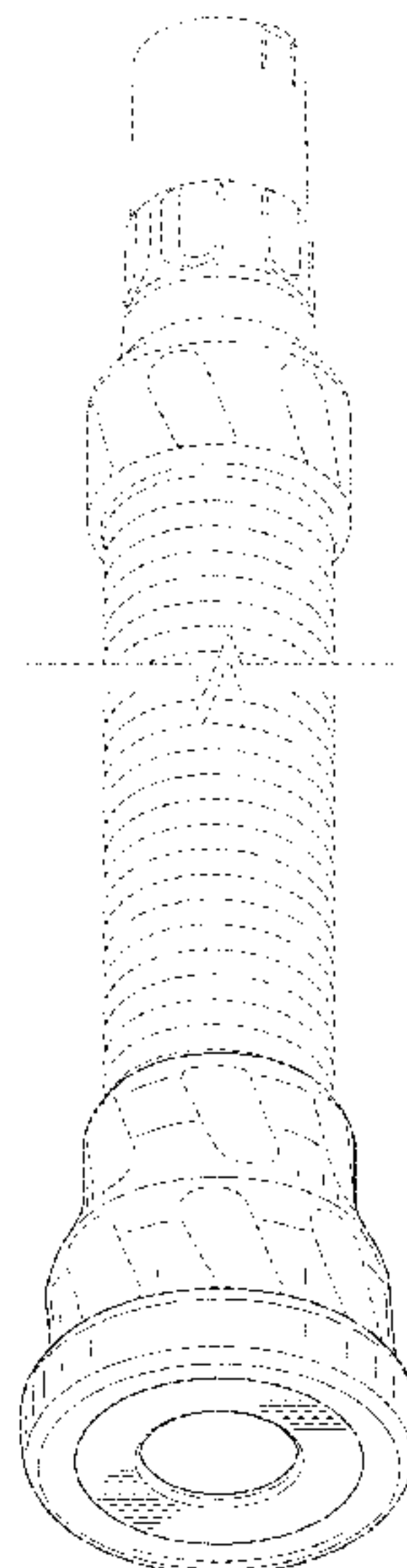
(57) **CLAIM**

The ornamental design for an adapter for hose head, as shown and described.

DESCRIPTION

FIG. 1 is a perspective view of our new design for an adapter for hose head;
FIG. 2 is a first plan view of the design shown in FIG. 1 and shows an engagement tab;
FIG. 3 is a second plan view of the design shown in FIG. 1 and does not show the engagement tab of FIG. 2;
FIG. 4 is a top plan view of the design shown in FIG. 1; and, FIG. 5 is a bottom plan view of the design shown in FIG. 1. The broken lines shown in the drawing views are included for the purpose of showing environmental structure that forms no part of the claimed design.

1 Claim, 4 Drawing Sheets



(56)

References Cited

U.S. PATENT DOCUMENTS

D649,309	S	11/2011	Spann	
D652,188	S	1/2012	Escobar	
8,336,558	B2	12/2012	Hurwitz	
8,555,819	B1	10/2013	McFarland	
D725,856	S	3/2015	Schultz	
D736,359	S	* 8/2015	Melo	D23/262
D774,156	S	12/2016	Esch	
2010/0143024	A1	6/2010	Hurwitz	

OTHER PUBLICATIONS

Design U.S. Appl. No. 29/738,812, filed Jun. 19, 2020; Crisp and Parrinello; "Brush Head Insert".
Design U.S. Appl. No. 29/738,810, filed Jun. 19, 2020; Crisp and Parrinello; "Brush Head Grip".
Design U.S. Appl. No. 29/738,809, filed Jun. 19, 2020; Crisp and Parrinello; "Brush Head Grip".

* cited by examiner

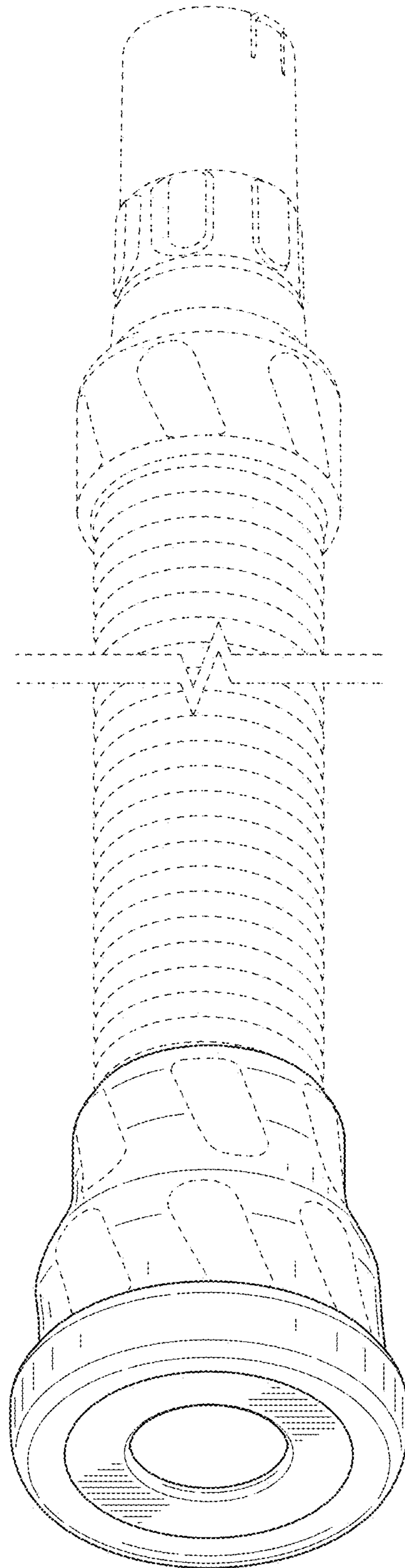


FIG. 1

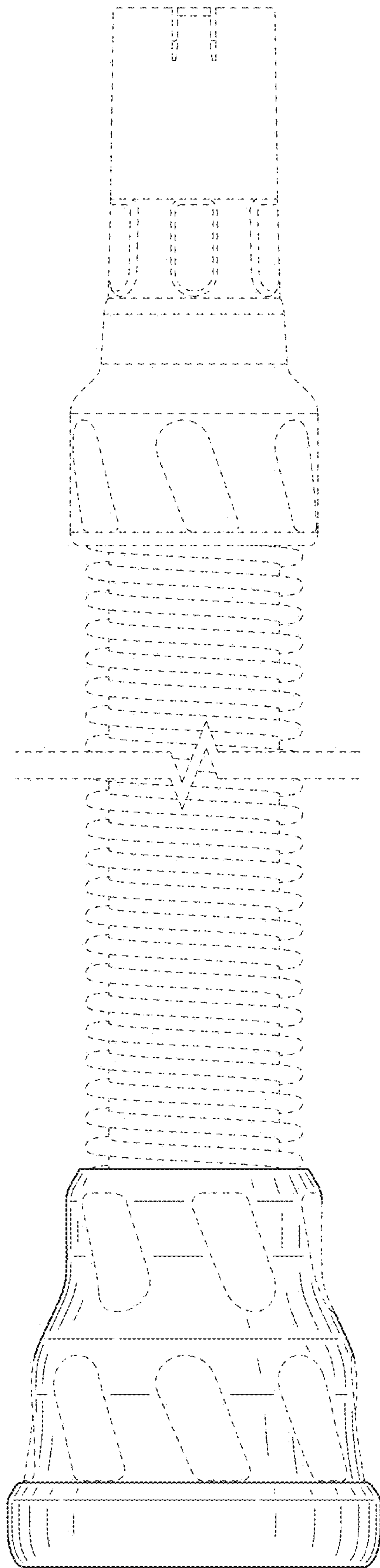


FIG. 2

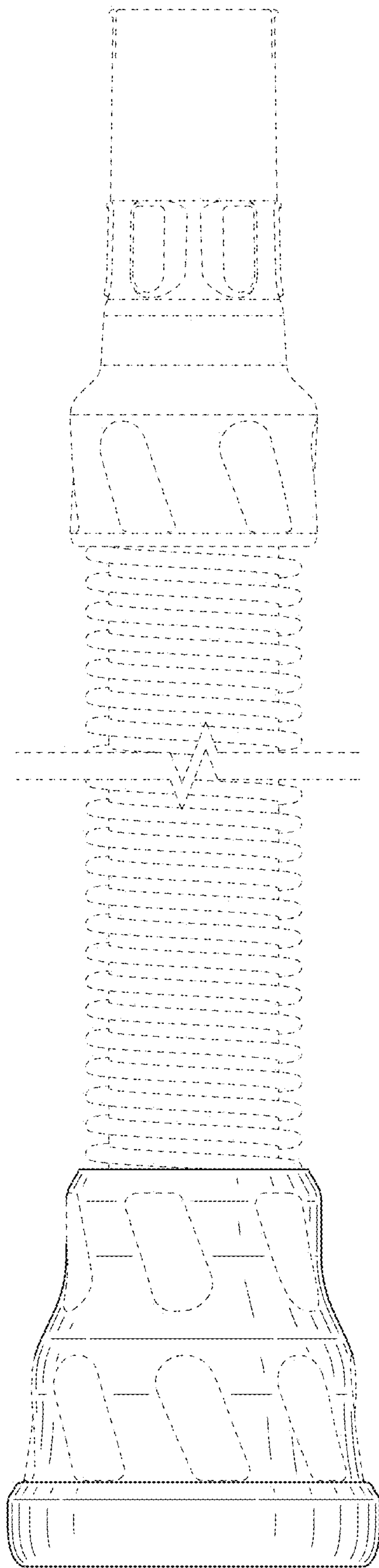


FIG. 3

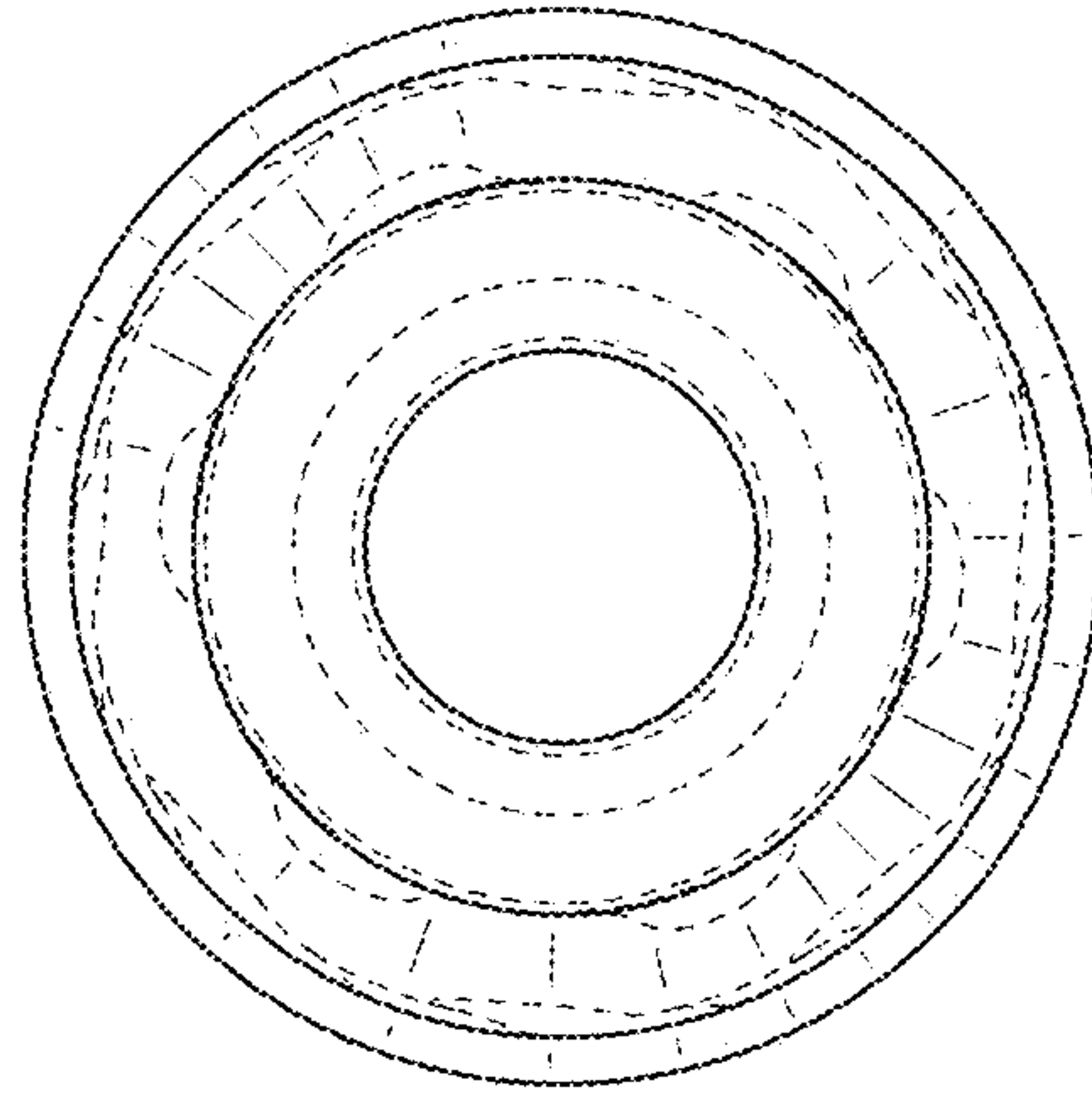


FIG. 4

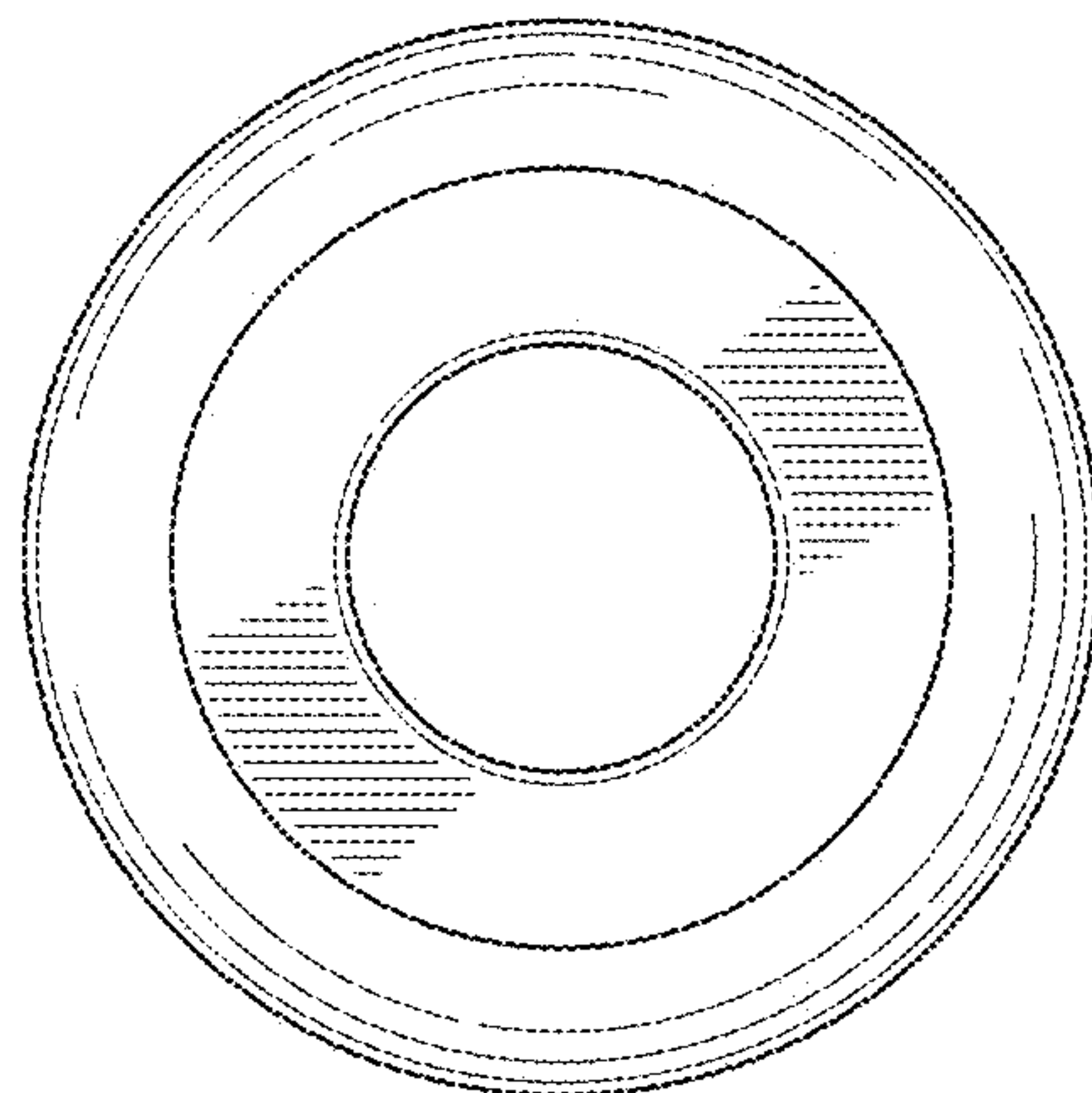


FIG. 5