



US00D975248S

(12) **United States Design Patent**
Deng

(10) **Patent No.:** **US D975,248 S**
(45) **Date of Patent:** **** Jan. 10, 2023**

(54) **FAUCET SPOUT**

D864,355 S * 10/2019 Fang D23/238
D865,912 S * 11/2019 Wieser D23/239
D954,179 S 6/2022 Wang

(Continued)

(71) Applicant: **Yunshi Deng**, Foshan (CN)

(72) Inventor: **Yunshi Deng**, Foshan (CN)

(**) Term: **15 Years**

(21) Appl. No.: **29/854,313**

(22) Filed: **Sep. 23, 2022**

(51) **LOC (14) Cl.** **23-01**

(52) **U.S. Cl.**
USPC **D23/255**

(58) **Field of Classification Search**
USPC D23/238–244, 252, 254–255, 257, 499;
D7/398

CPC F16K 31/602; F16K 31/605; F16K 31/607;
E03C 1/0412

See application file for complete search history.

(56) **References Cited**

U.S. PATENT DOCUMENTS

D268,949 S * 5/1983 Delepine D23/255
4,513,458 A * 4/1985 Delepine E03C 1/0404
4/678
D339,854 S * 9/1993 Paulin D23/255
D513,059 S * 12/2005 Pauls D23/255
D528,637 S * 9/2006 Massaud D23/238
D529,134 S * 9/2006 Massaud D23/238
D534,989 S * 1/2007 Massaud D23/238
D634,404 S * 3/2011 Thornton D23/238
D654,987 S 2/2012 Romero
D663,383 S * 7/2012 Su D23/255
D663,384 S * 7/2012 Su D23/255
D663,804 S * 7/2012 Su D23/238
D768,268 S * 10/2016 Lammel D23/238
D820,405 S * 6/2018 Wieser D23/239
D847,952 S * 5/2019 Wieser D28/54.1
D862,653 S * 10/2019 Wieser D23/240

FOREIGN PATENT DOCUMENTS

CN 301106407 * 1/2010
CN 301891525 * 4/2012
CN 302405635 * 4/2013

(Continued)

OTHER PUBLICATIONS

AUU Moon Waterfall Bathroom Tub Filler, first available Jul. 11, 2021[online], [site visited Nov. 14, 2022], Available from internet, URL:<<https://www.amazon.com/AUU-Waterfall-Bathroom-Faucet-Vanity/dp/B09DCBBBNQ?th=1>> (Year: 2021).*

(Continued)

Primary Examiner — David G Muller

Assistant Examiner — Jamaal Rasheed

(74) *Attorney, Agent, or Firm* — Georgi Korobanov

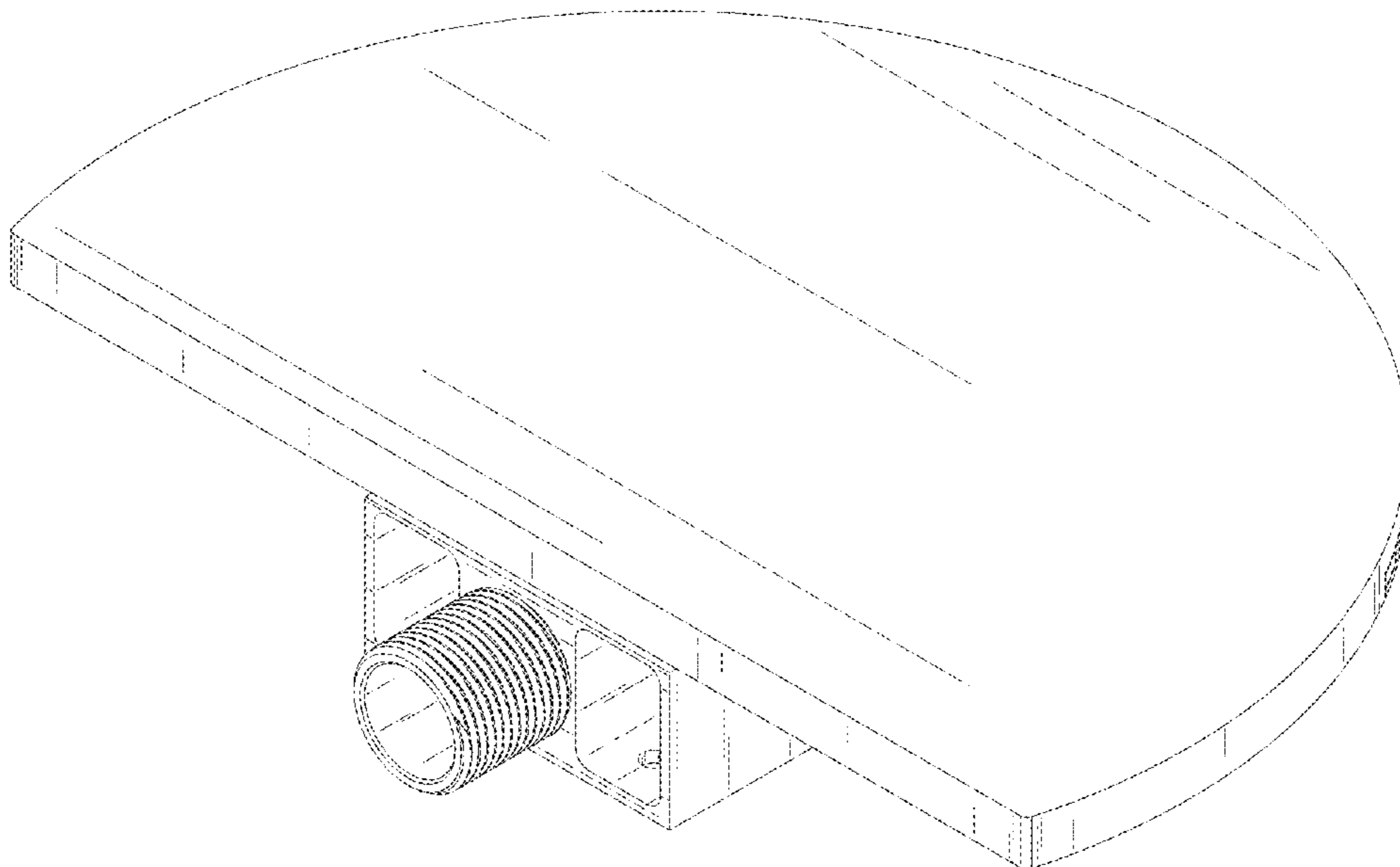
(57) **CLAIM**

The ornamental design for a faucet spout, as shown and described.

DESCRIPTION

FIG. 1 is a front, right and bottom perspective view of a faucet spout, showing my new design;
FIG. 2 is a rear, left and top perspective view thereof;
FIG. 3 is a front view thereof;
FIG. 4 is a rear view thereof;
FIG. 5 is a left side view thereof;
FIG. 6 is a right side view thereof;
FIG. 7 is a top plan view thereof; and,
FIG. 8 is a bottom plan view thereof.
The broken lines shown in the drawings illustrate portions of the faucet spout that form no part of the claimed design,

1 Claim, 8 Drawing Sheets



(56)

References Cited

U.S. PATENT DOCUMENTS

D955,530 S * 6/2022 Wang D23/257

FOREIGN PATENT DOCUMENTS

CN 302704492 * 1/2014
KR 300446413.0000 * 4/2007

OTHER PUBLICATIONS

Matte Black Bathtub Faucet Waterfall Bath Spout, first available Jan. 19, 2020[online], [site visited Nov. 14, 2022]. Available from internet, URL:< <https://www.amazon.com/Rubbed-Bronze-Bathtub-Faucet-Waterfall/dp/B0842FP1J1?th=1>> (Year: 2020).*

* cited by examiner

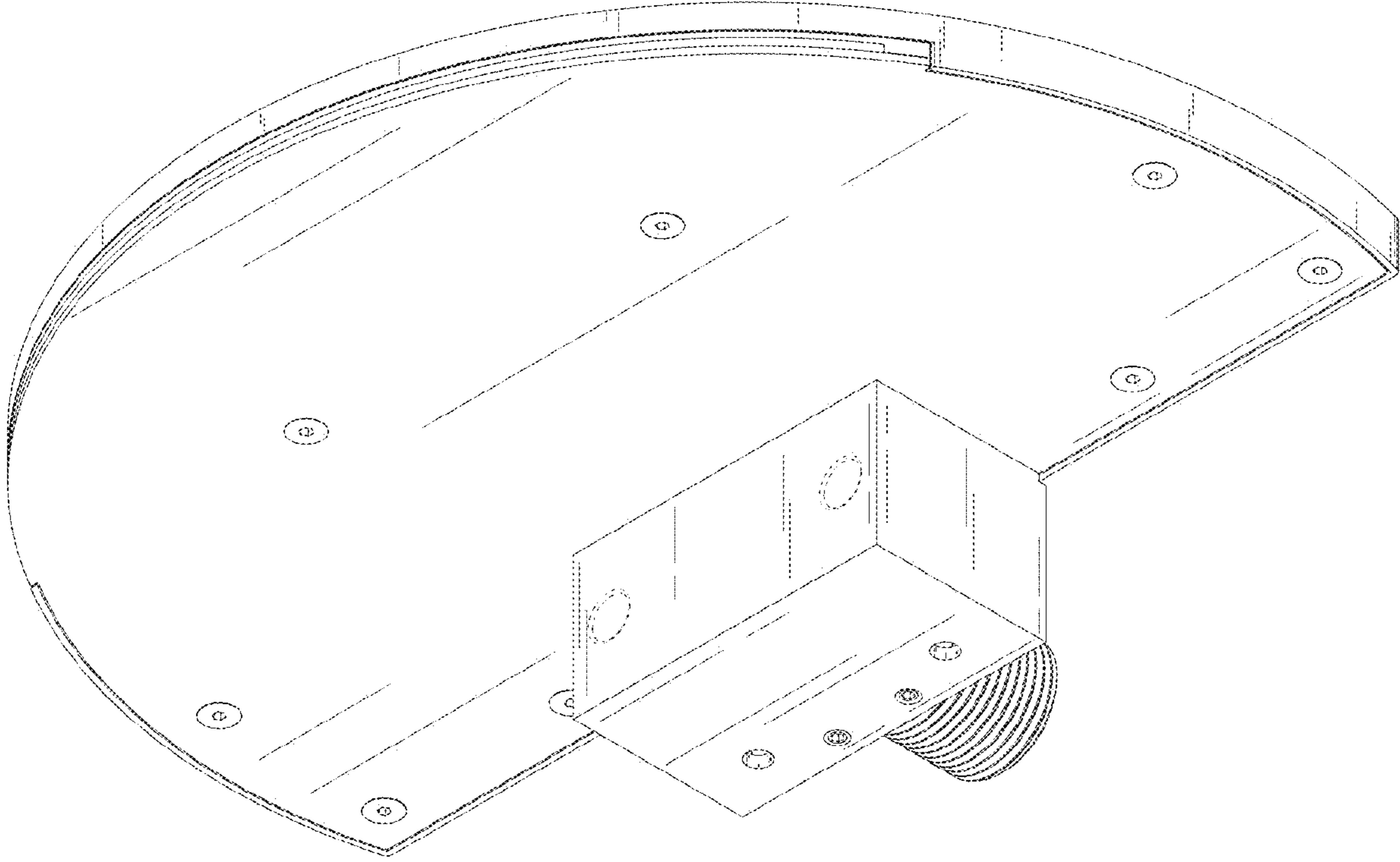


FIG. 1

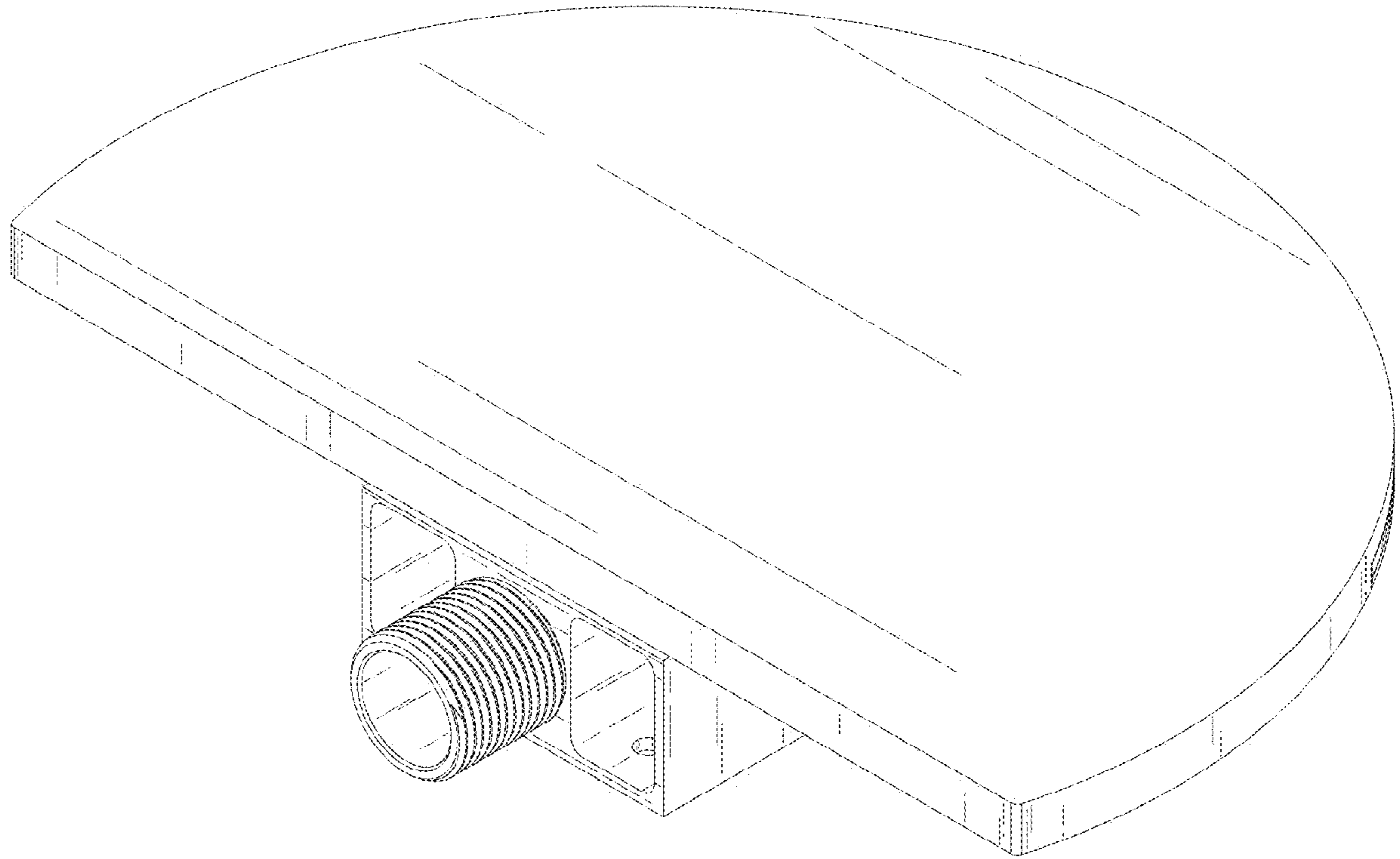


FIG. 2

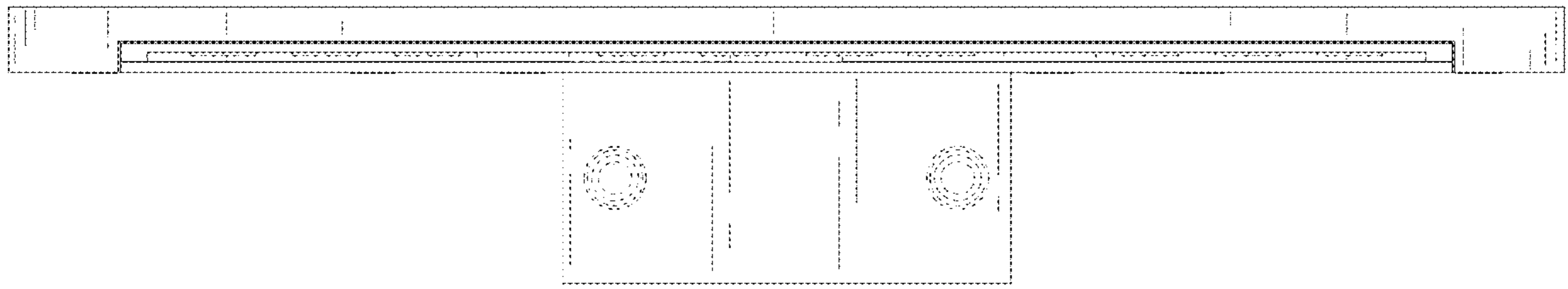


FIG. 3

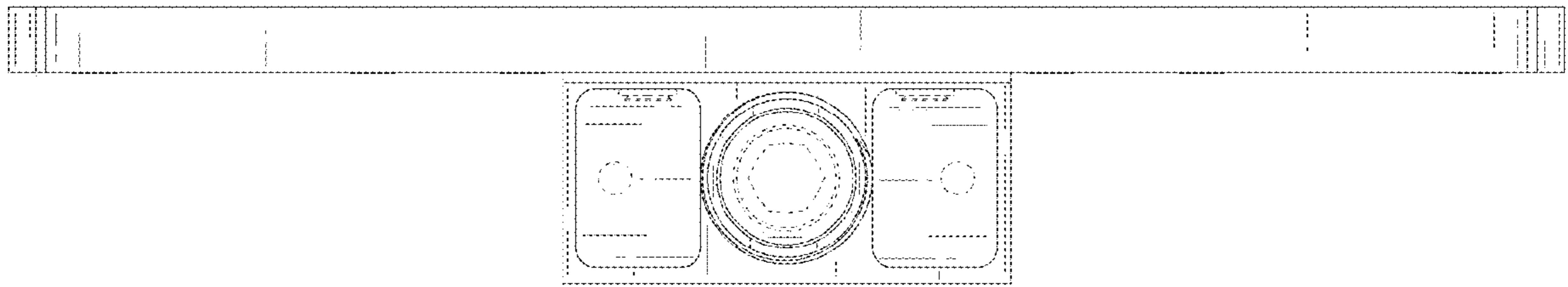


FIG. 4

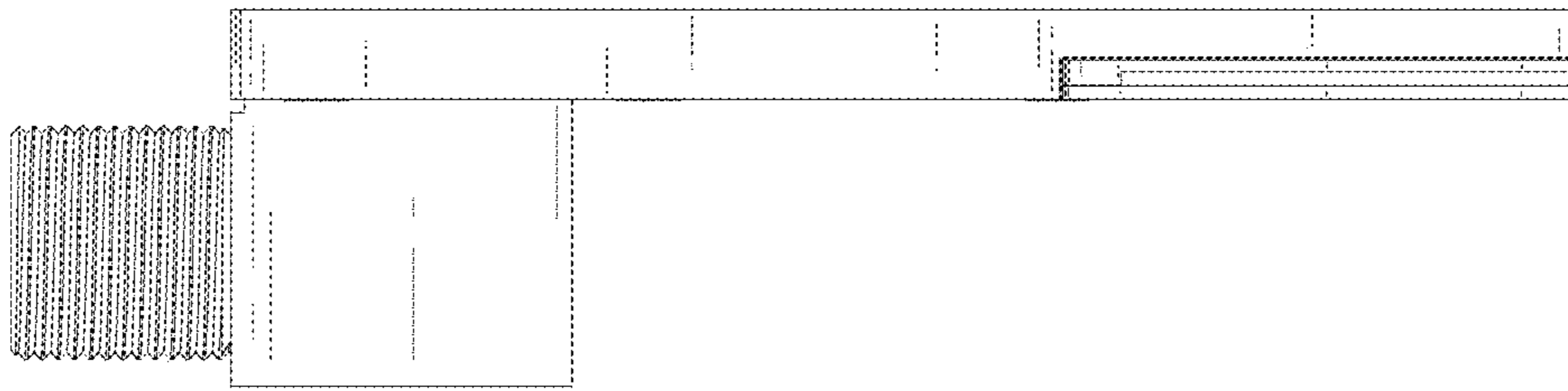


FIG. 5

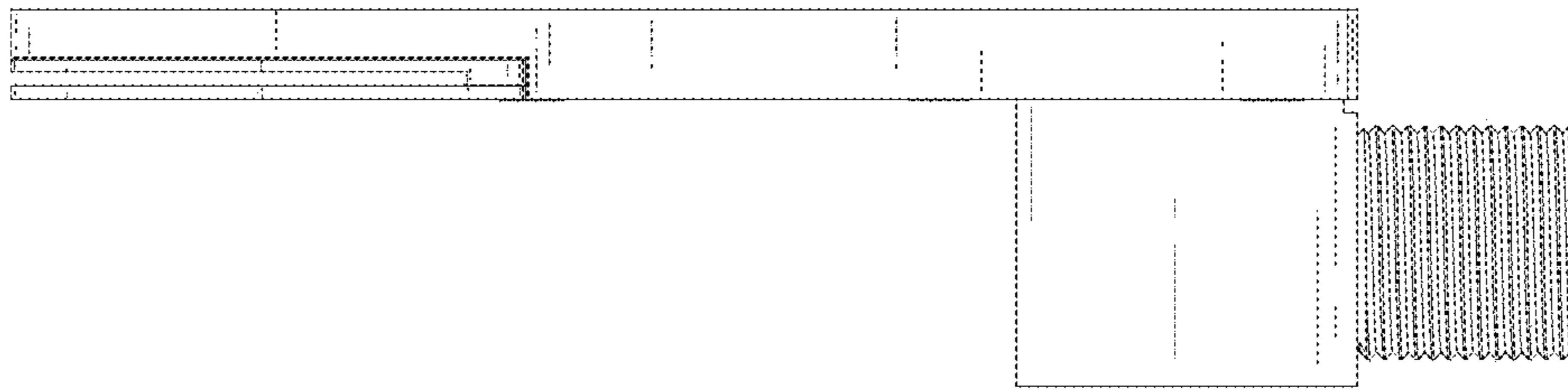


FIG. 6

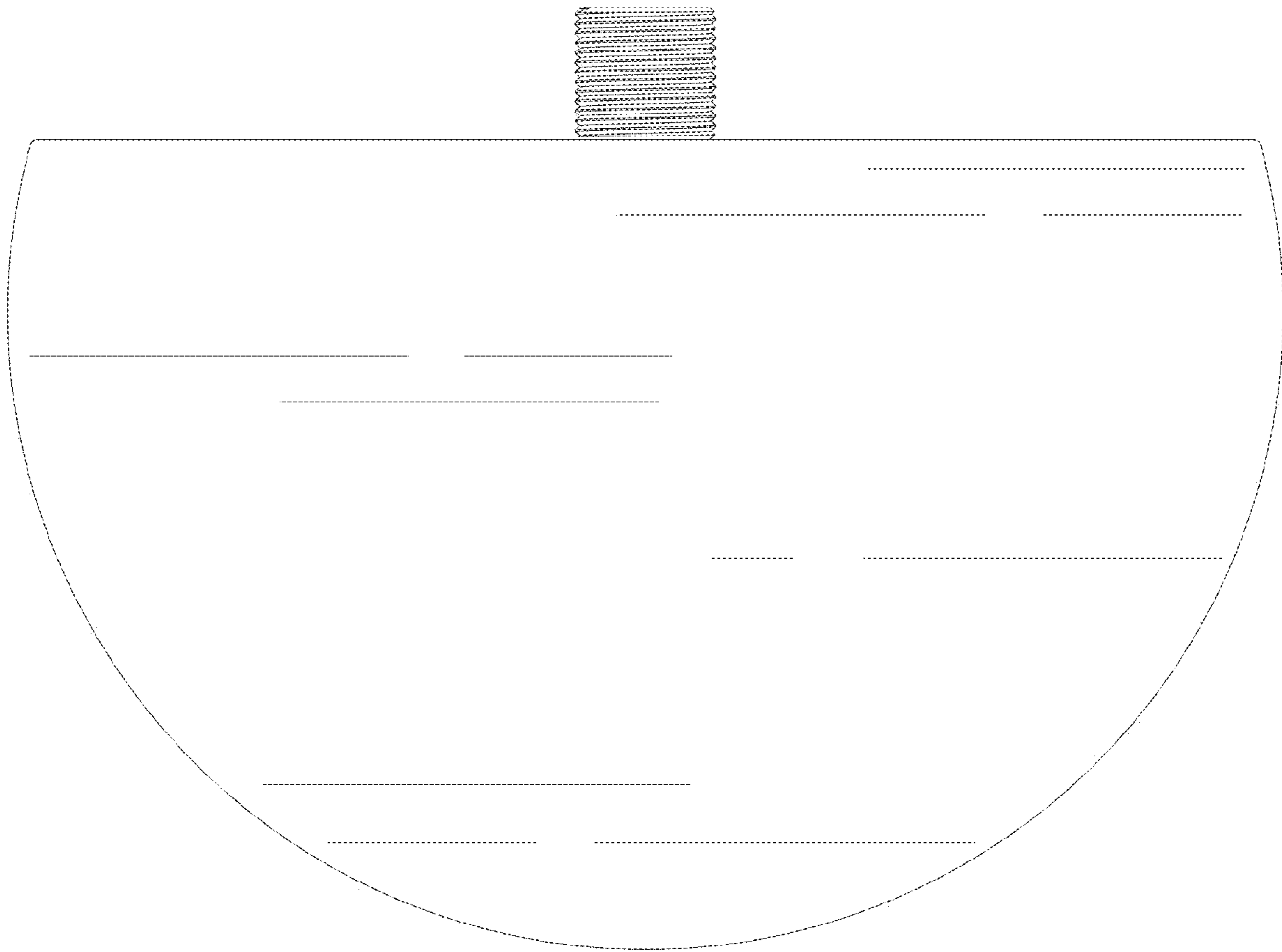


FIG. 7

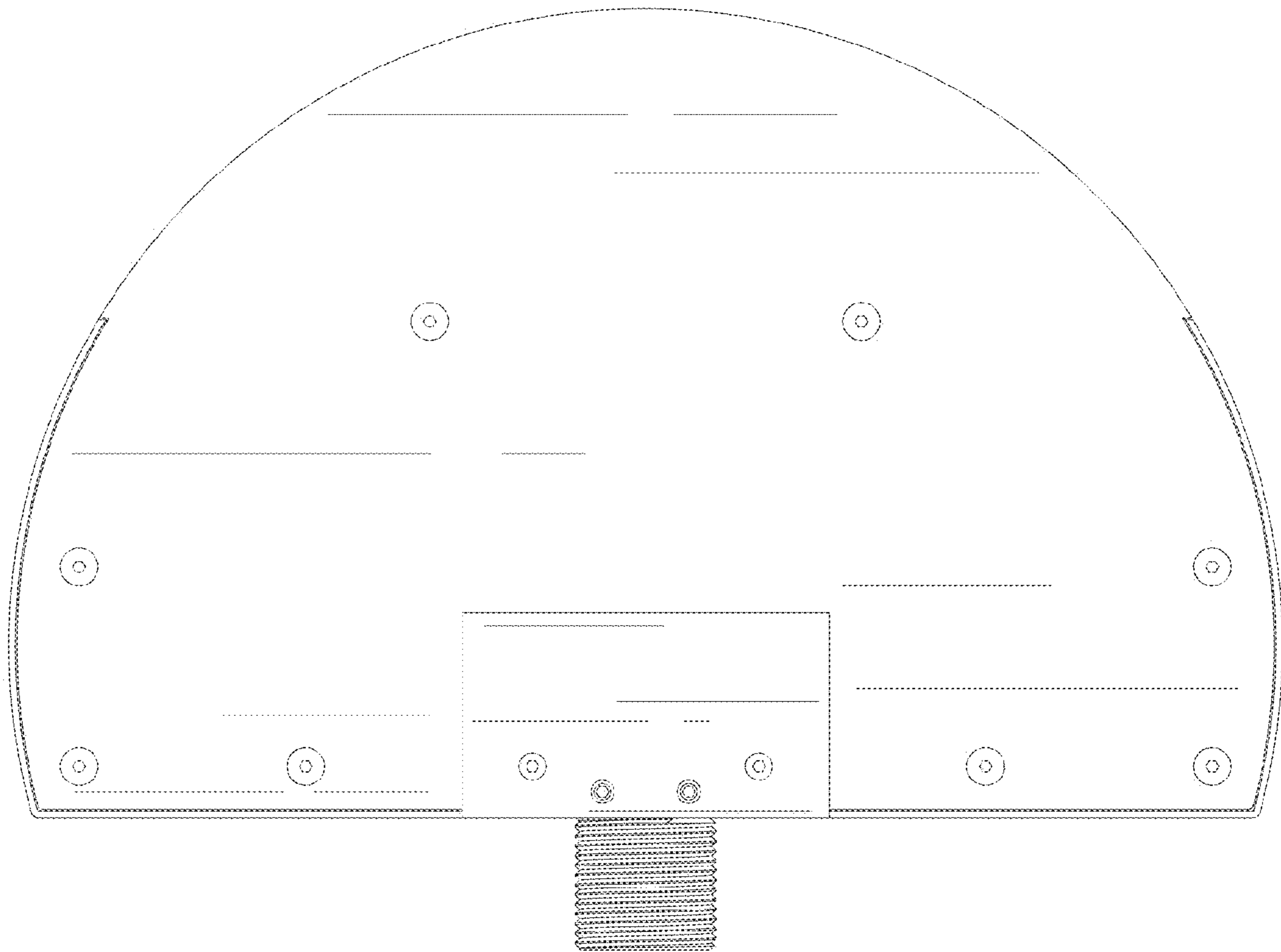


FIG. 8