



US00D975247S

(12) **United States Design Patent**  
**Chen**

(10) **Patent No.:** **US D975,247 S**  
(45) **Date of Patent:** **\*\* Jan. 10, 2023**

- (54) **EXTENSION SHOWER ARM**
- (71) Applicant: **Guangdong Heshan Shanshui Sanitary Ware Co., Ltd., Jiangmen (CN)**
- (72) Inventor: **Yuanguang Chen, Jiangmen (CN)**
- (73) Assignee: **Guangdong Heshan Shanshui Sanitary Ware Co., Ltd., Jiangmen (CN)**

D619,220 S \* 7/2010 Semchuck ..... D23/238  
 7,866,576 B1 \* 1/2011 Farley ..... E03C 1/0409  
 239/587.5  
 8,024,822 B2 \* 9/2011 Macan ..... E03C 1/0408  
 4/615

(Continued)

**FOREIGN PATENT DOCUMENTS**

CN 306871425 \* 10/2021  
 CN 307388674 \* 6/2022

**OTHER PUBLICATIONS**

NearMoon Adjustable Shower Arm, announced Aug. 17, 2022[online], [site visited Oct. 28, 2022]. Available from internet, URL:<<https://www.amazon.com/dp/B0B9W73NBR>> (Year: 2022).\*

(Continued)

- (\*\*) Term: **15 Years**
- (21) Appl. No.: **29/852,222**
- (22) Filed: **Sep. 5, 2022**
- (51) **LOC (14) Cl.** ..... **23-01**
- (52) **U.S. Cl.**  
USPC ..... **D23/255; D23/249; D23/264**
- (58) **Field of Classification Search**  
USPC ..... D23/213, 220, 222, 249, 255, 262, 263, D23/266  
CPC ..... B05B 15/08; B05B 15/14; A47K 10/40; A61B 6/00  
See application file for complete search history.

*Primary Examiner* — David G Muller  
*Assistant Examiner* — Jamaal Rasheed  
 (74) *Attorney, Agent, or Firm* — Nitin Kaushik

(57) **CLAIM**

The ornamental design for an extension shower arm, as shown and described.

**DESCRIPTION**

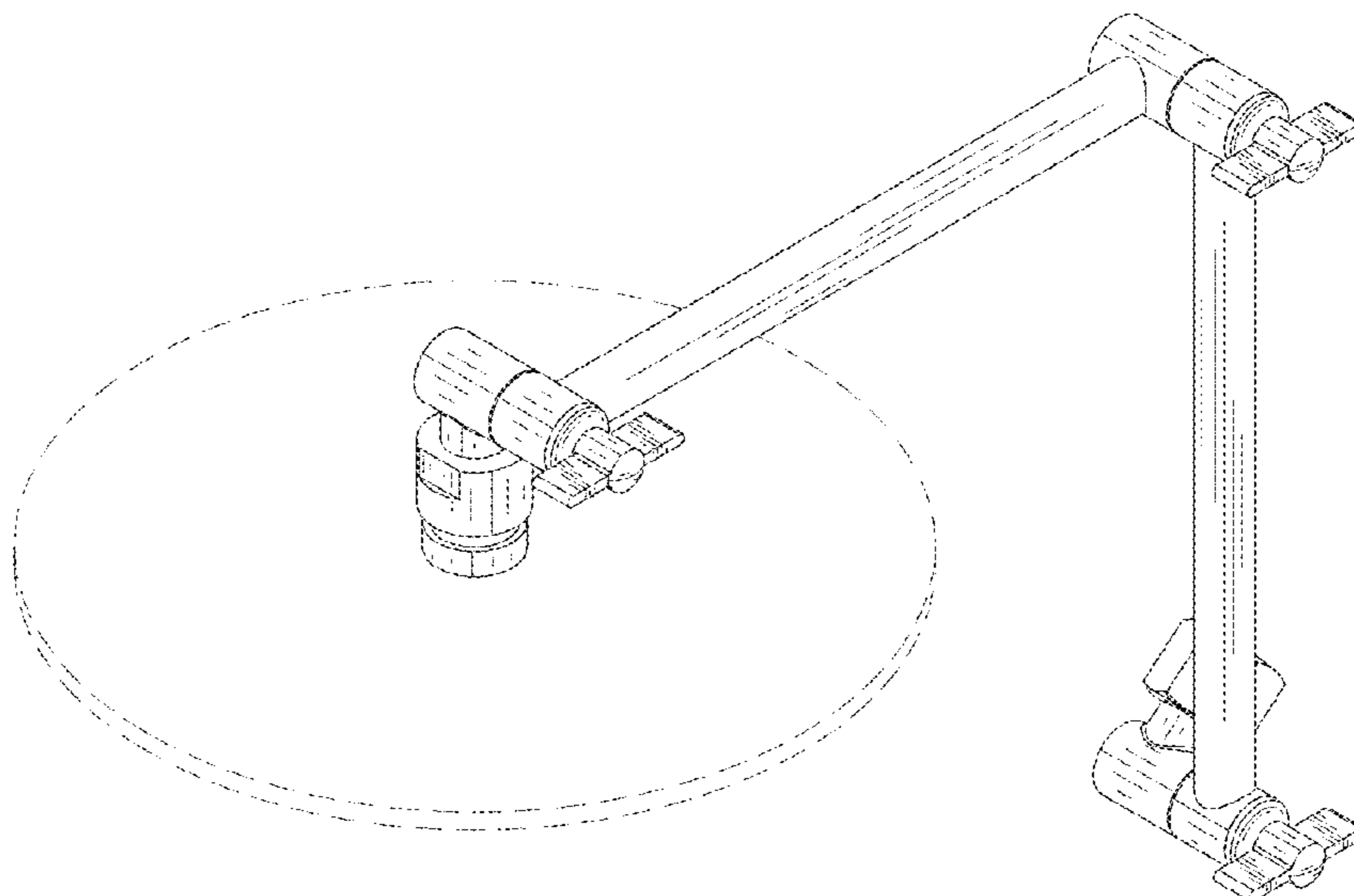
FIG. 1 is a front perspective view of an extension shower arm, showing my new design;  
 FIG. 2 is a rear perspective view thereof;  
 FIG. 3 shows the invention in a state of use;  
 FIG. 4 is a front view of FIG. 1;  
 FIG. 5 is a rear view of FIG. 1;  
 FIG. 6 is a left side view of FIG. 1;  
 FIG. 7 is a right side view of FIG. 1;  
 FIG. 8 is a top view of FIG. 1; and,  
 FIG. 9 is a bottom view of FIG. 1.  
 The broken lines in the drawings show environmental portions of the extension shower arm and form no part of the claimed design.

**1 Claim, 9 Drawing Sheets**

(56) **References Cited**

**U.S. PATENT DOCUMENTS**

D347,262 S \* 5/1994 Black ..... D23/230  
 5,342,137 A \* 8/1994 Peng ..... F21V 21/26  
 362/427  
 5,379,205 A \* 1/1995 Peng ..... F21V 21/26  
 362/427  
 D421,106 S \* 2/2000 French ..... D23/304  
 D437,072 S \* 1/2001 Newhouse ..... D26/63  
 D494,262 S \* 8/2004 Lin ..... D23/304  
 7,097,122 B1 \* 8/2006 Farley ..... E03C 1/0409  
 239/587.5  
 D543,839 S \* 6/2007 Cooper ..... D8/376  
 D556,373 S \* 11/2007 Sussman ..... D26/145



(56)

**References Cited**

U.S. PATENT DOCUMENTS

8,070,076 B2 \* 12/2011 Erickson ..... E03C 1/0404  
239/587.5  
8,621,681 B2 \* 1/2014 Macan ..... E03C 1/066  
4/615  
D711,505 S 8/2014 Wolff et al.  
D738,991 S \* 9/2015 Brodey ..... D23/213  
D752,708 S \* 3/2016 Chung ..... D23/213  
D926,287 S \* 7/2021 Cocks ..... D23/213  
D926,925 S \* 8/2021 Cocks ..... D23/213  
D960,302 S \* 8/2022 Cocks ..... D23/213  
D963,812 S \* 9/2022 Cherry ..... D23/262  
D967,341 S \* 10/2022 Yan ..... D23/249  
2005/0024882 A1 \* 2/2005 Sherman ..... H01H 1/5822  
362/419  
2005/0283904 A1 \* 12/2005 Macan ..... E03C 1/0408  
4/615  
2007/0153459 A1 \* 7/2007 Wohlford ..... F16M 13/02  
361/679.22  
2009/0177438 A1 \* 7/2009 Raab ..... G01S 17/66  
33/503  
2010/0176328 A1 \* 7/2010 Erickson ..... E03C 1/042  
251/366

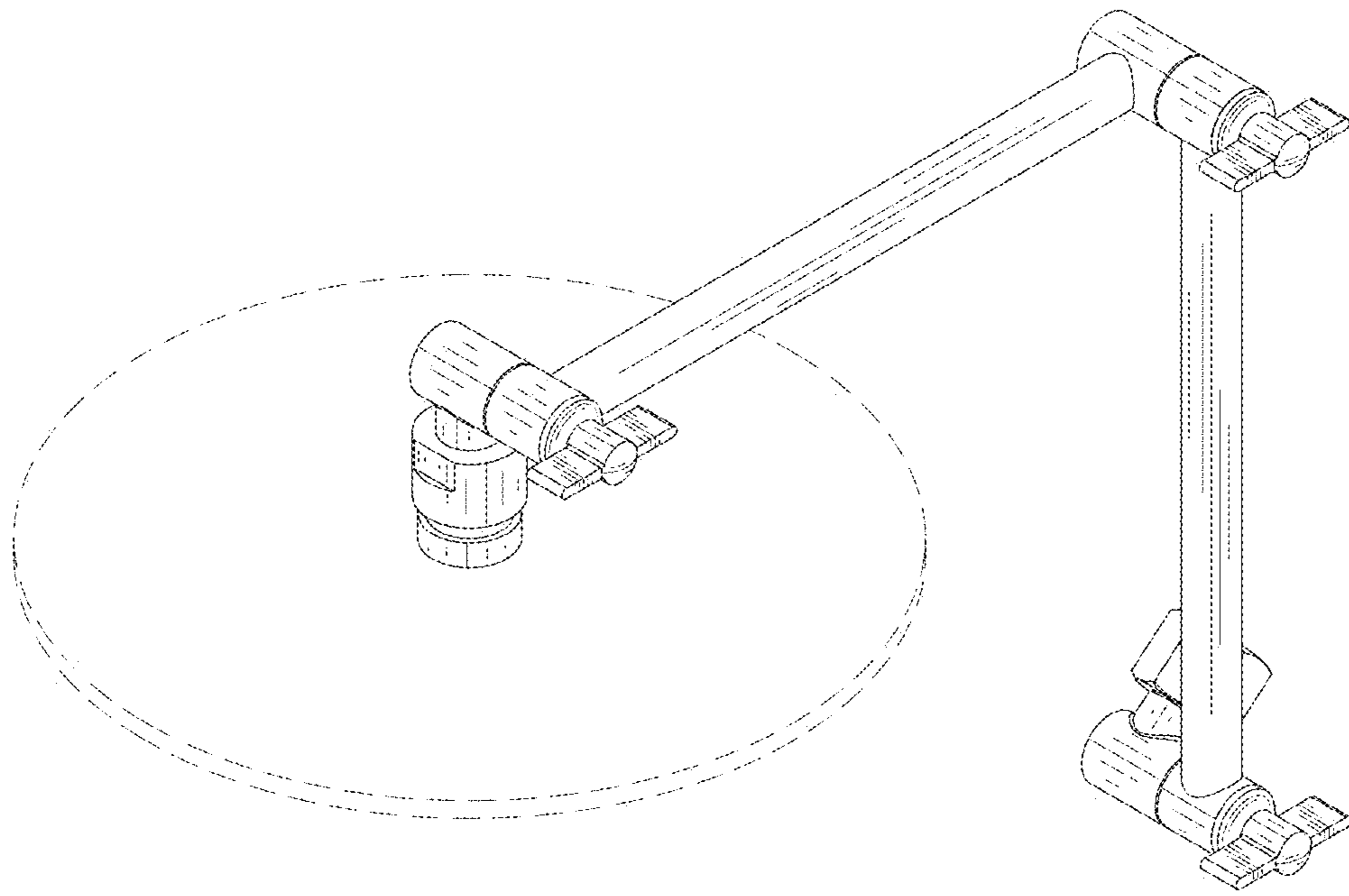
2010/0181440 A1 \* 7/2010 Larsen ..... H05K 7/1491  
248/68.1  
2011/0051437 A1 \* 3/2011 Ng ..... F21S 6/003  
362/418  
2011/0108689 A1 \* 5/2011 Dorris ..... F16M 11/041  
248/220.21  
2014/0015246 A1 \* 1/2014 Erickson ..... F16L 27/08  
285/184  
2019/0145473 A1 \* 5/2019 Puterbaugh ..... F16M 11/10  
188/218 R  
2019/0200944 A1 \* 7/2019 Ahearn ..... A61B 6/4411  
2021/0307568 A1 \* 10/2021 Steinke ..... A47K 10/40

OTHER PUBLICATIONS

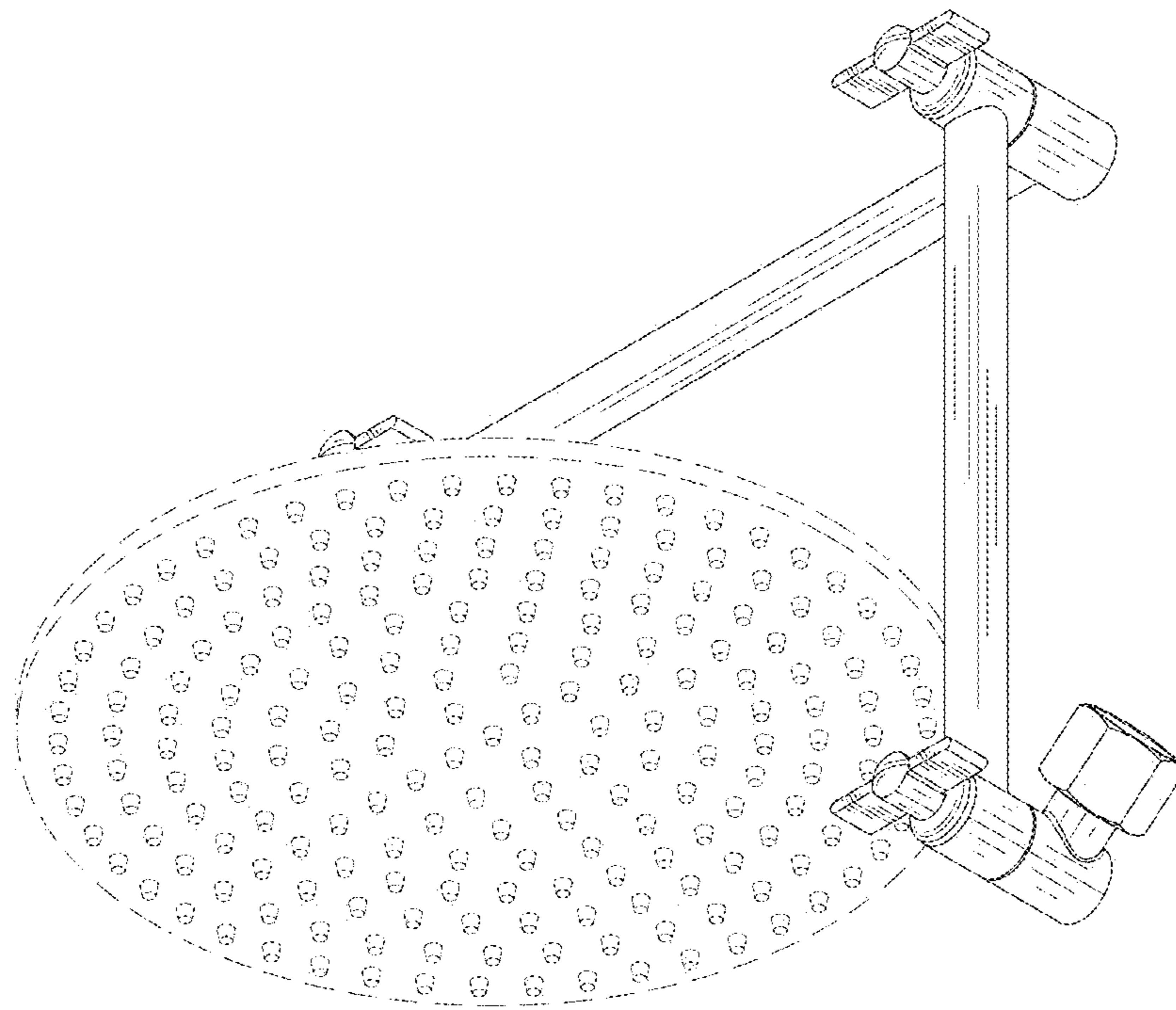
Adjustable Shower Arm Universal Connection, announced Jun. 9, 2019[online], [site visited Oct. 28, 2022]. Available from internet, URL:<<https://www.amazon.com/Adjustable-Universal-Connection-Experience-Install%EF%BC%8CAnti-leak/dp/B07QHT5VWN?th=1>> (Year: 2019).\*

Rain Shower Head with 11" Adjustable Arm, announced Dec. 21, 2018[online], [site visited Oct. 28, 2022]. Available from internet, URL:< <https://www.amazon.com/Adjustable-Showerhead-Ultra-Thin-Design-Best-Experience/dp/B07QLSZWN6?th=1>> (Year: 2018).\*

\* cited by examiner



**FIG. 1**



**FIG. 2**

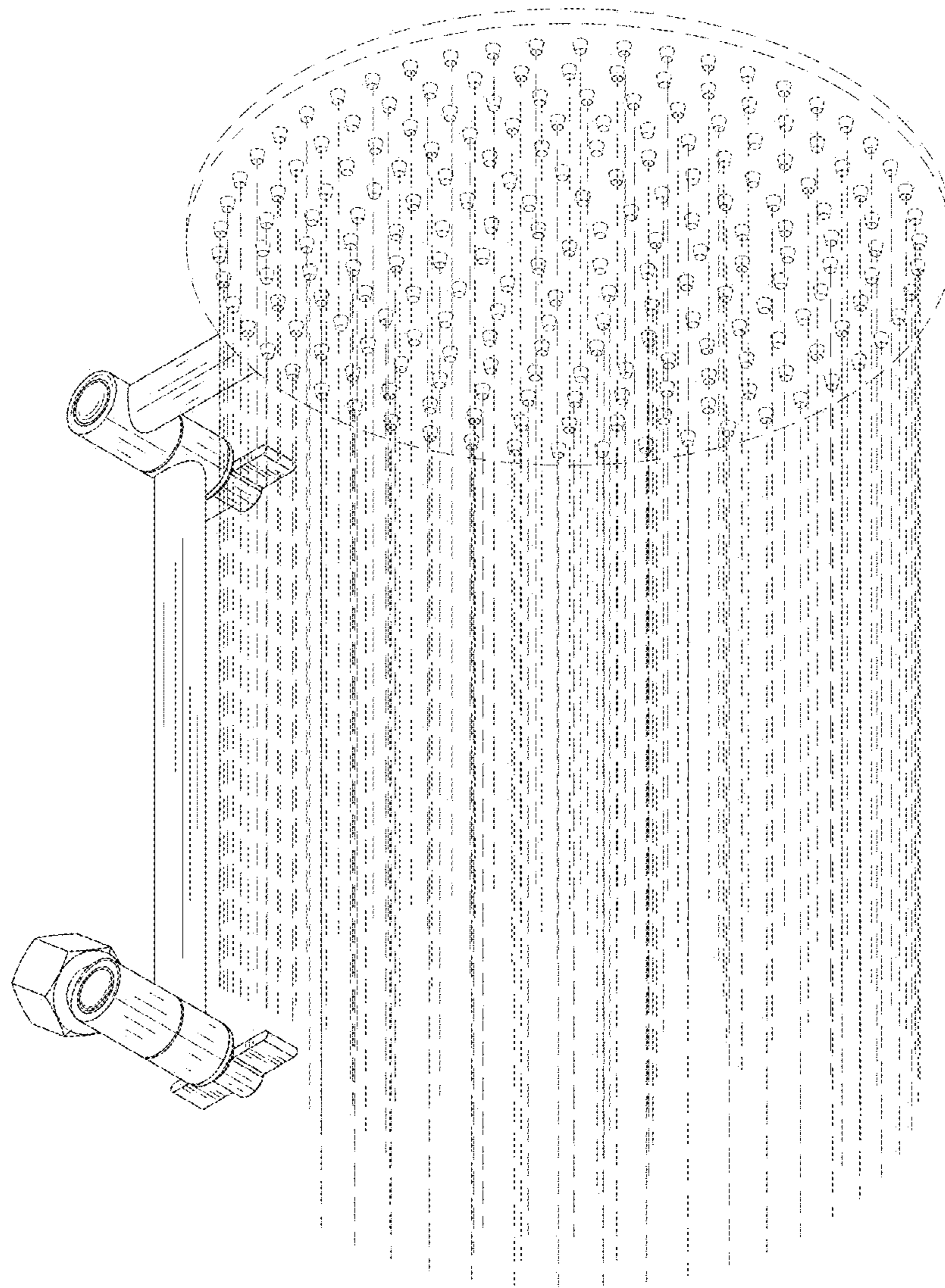


FIG. 3

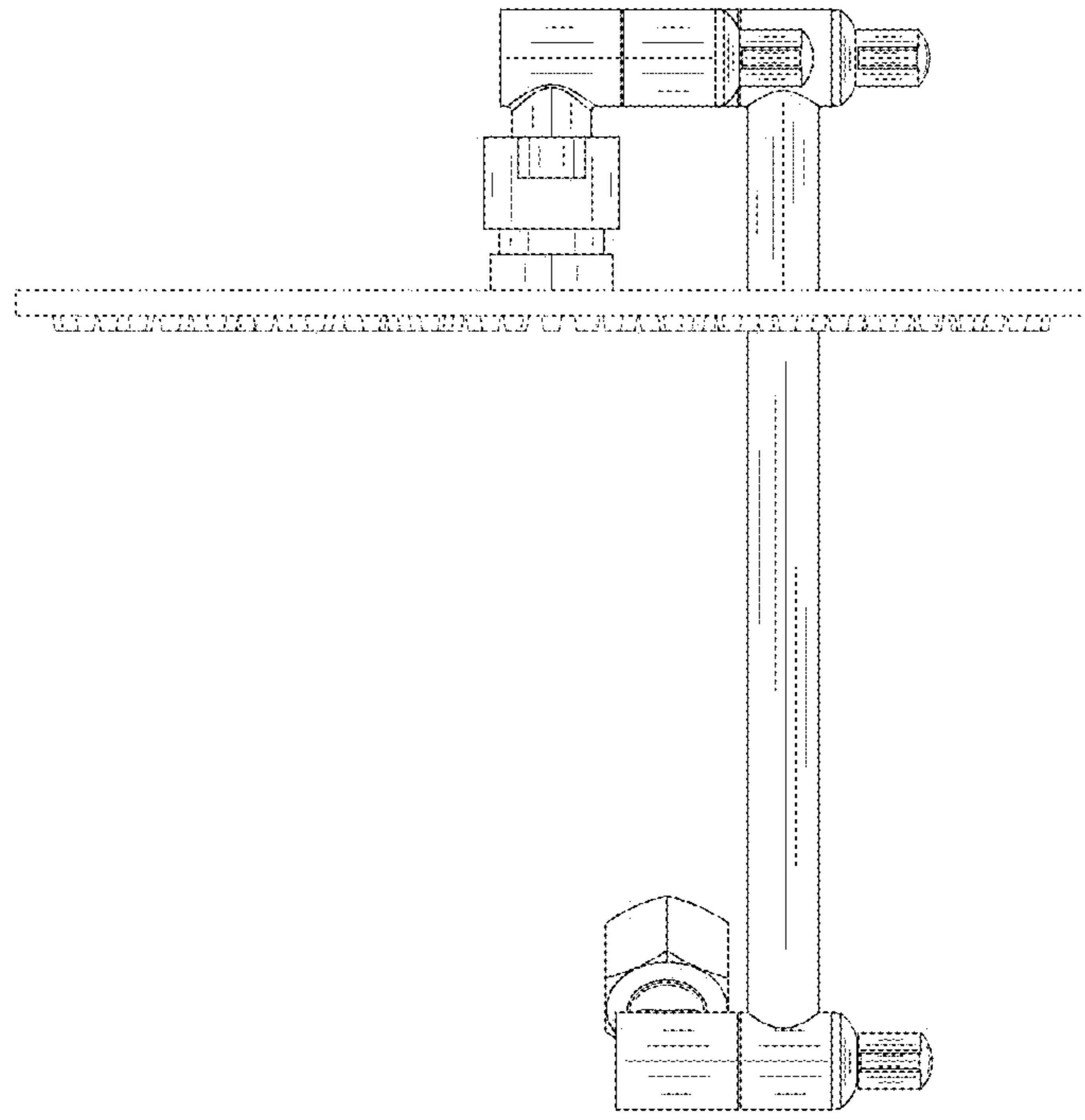


FIG. 4

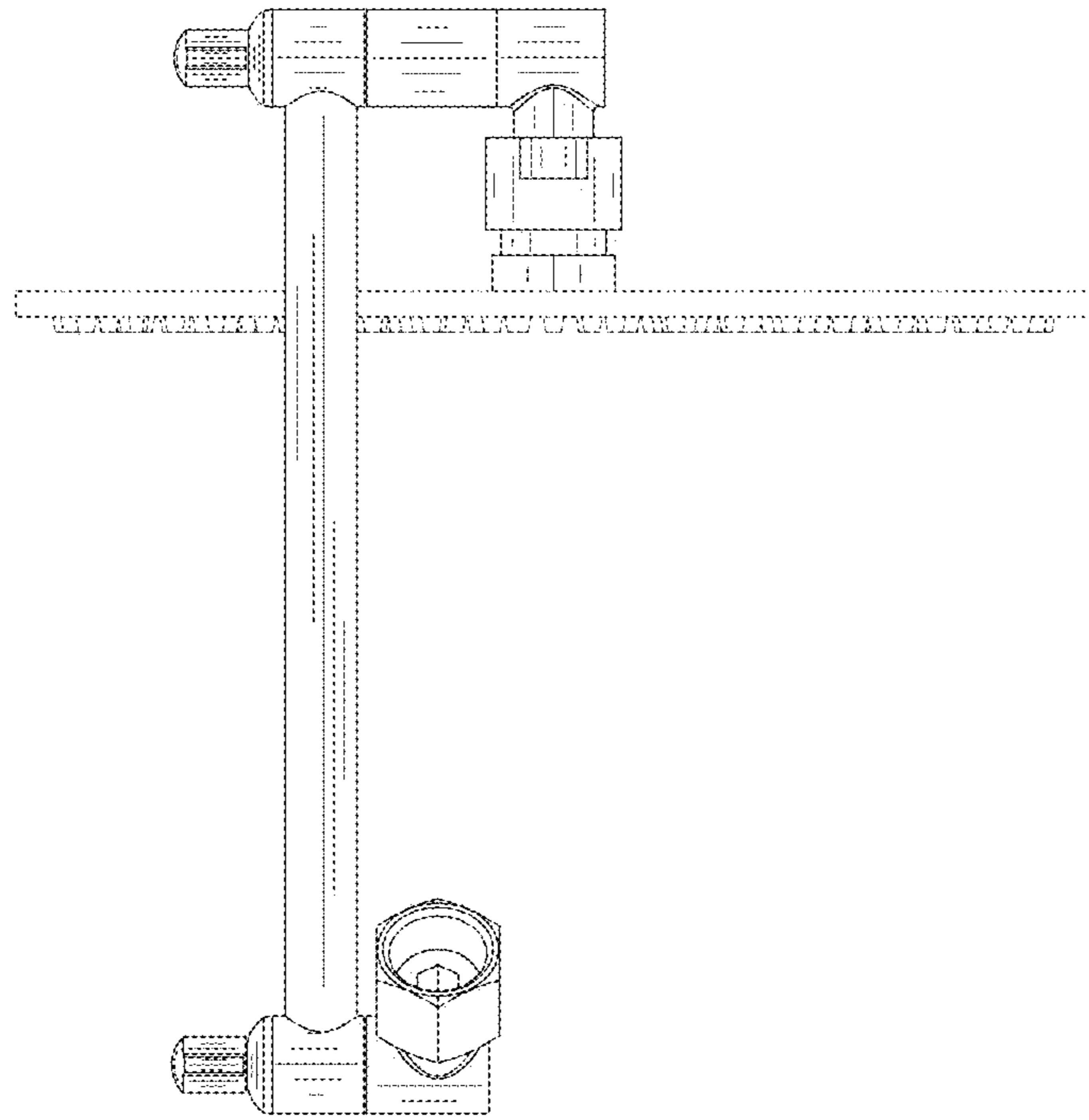


FIG. 5

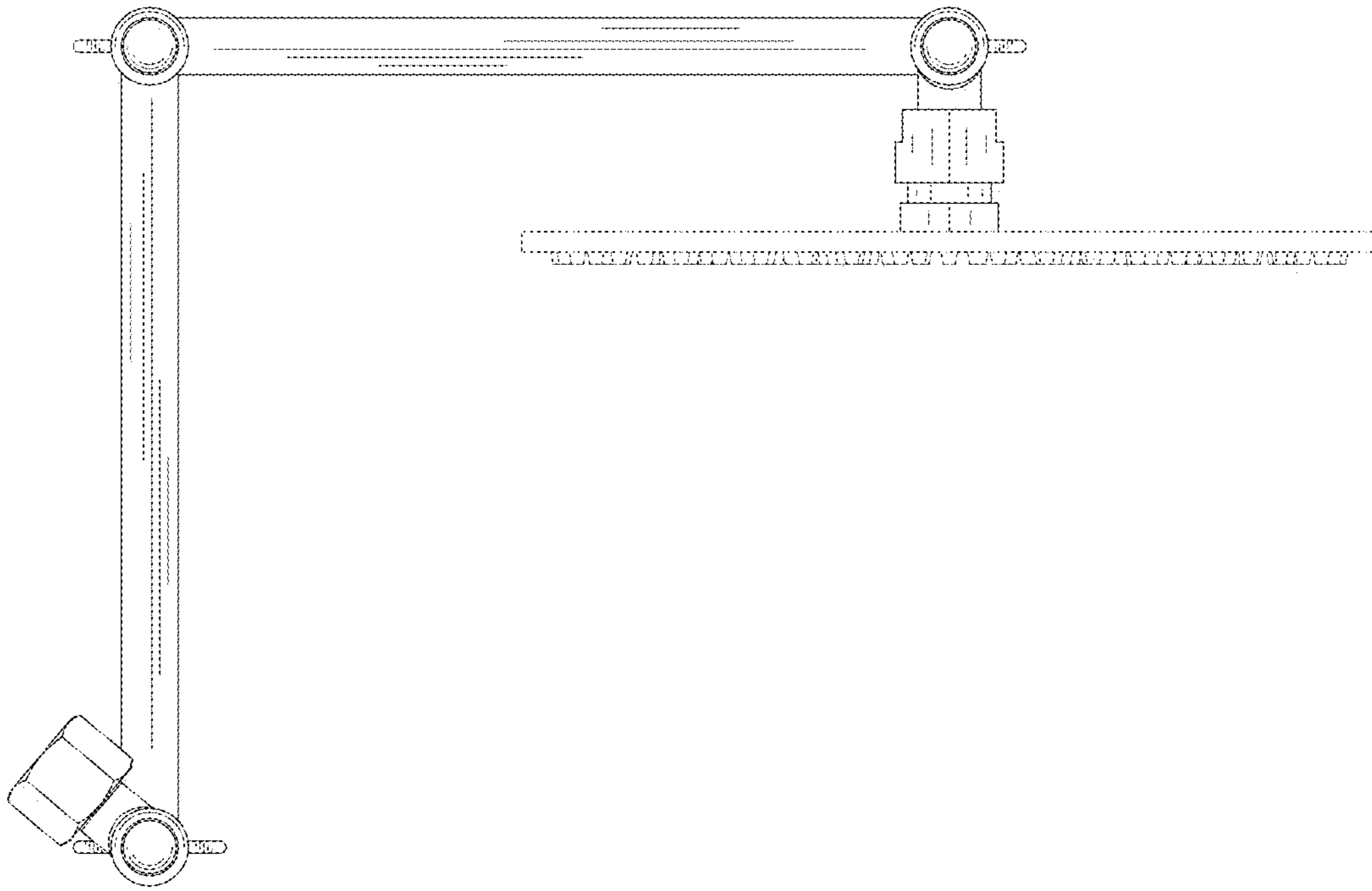
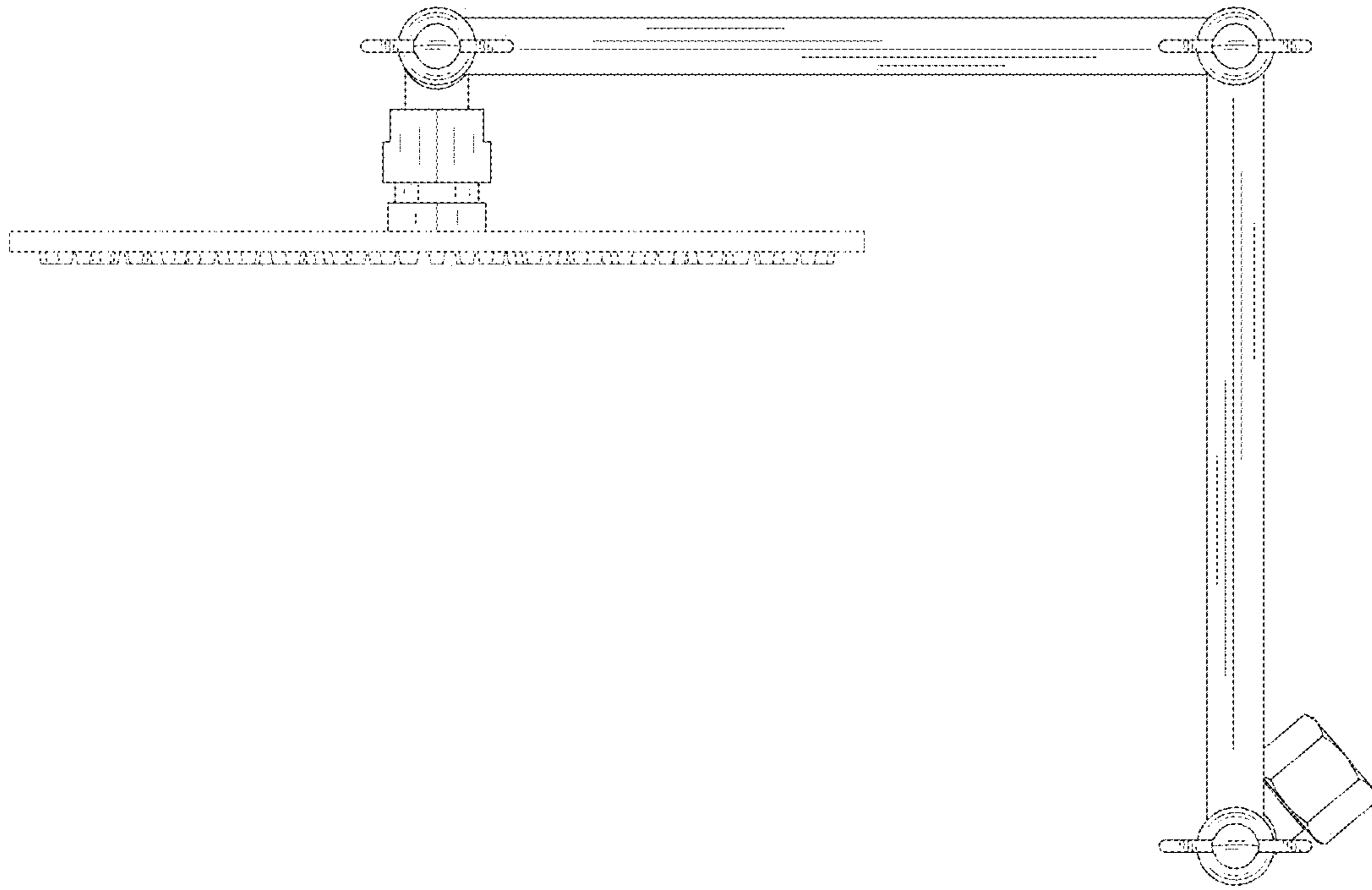
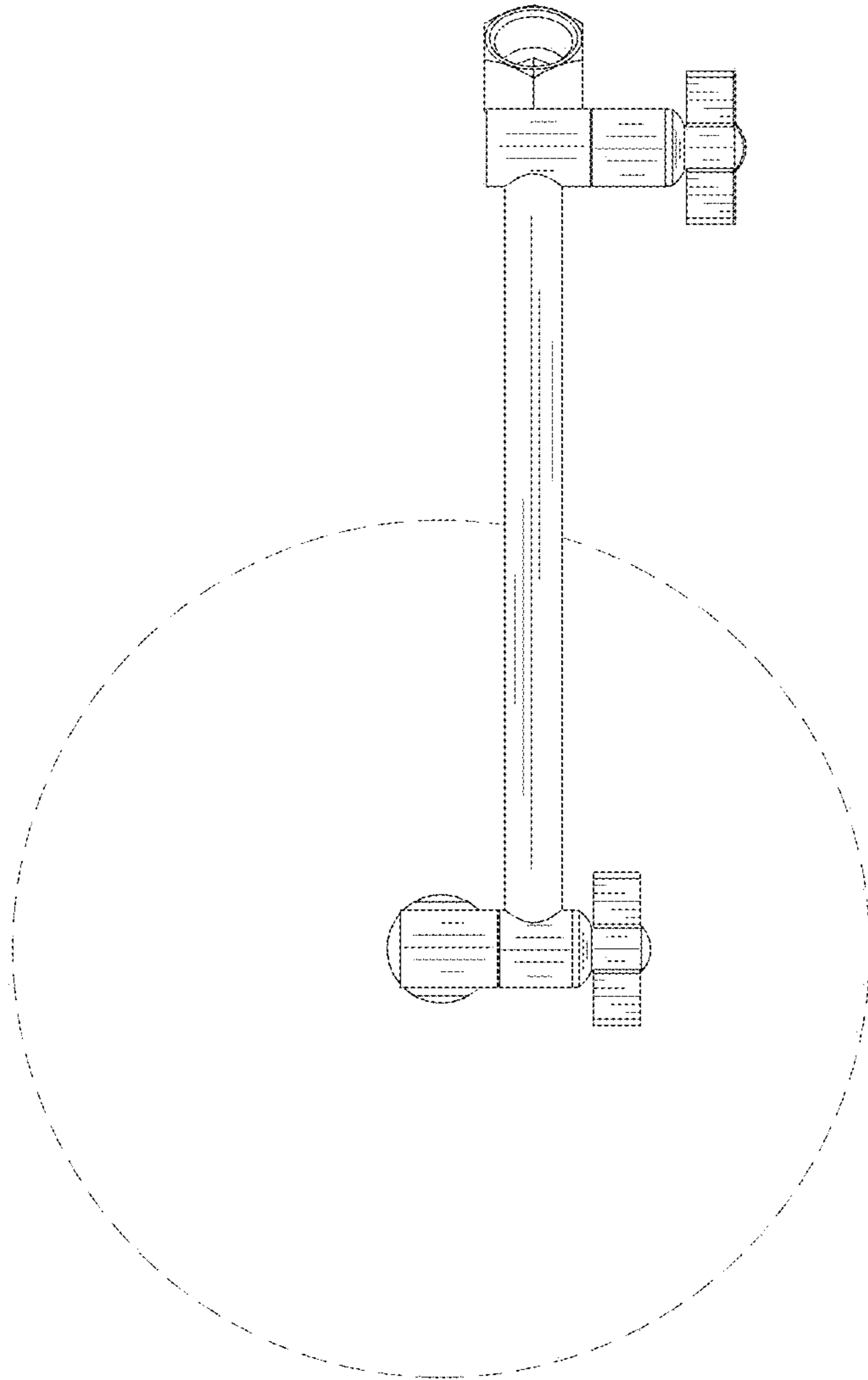


FIG. 6

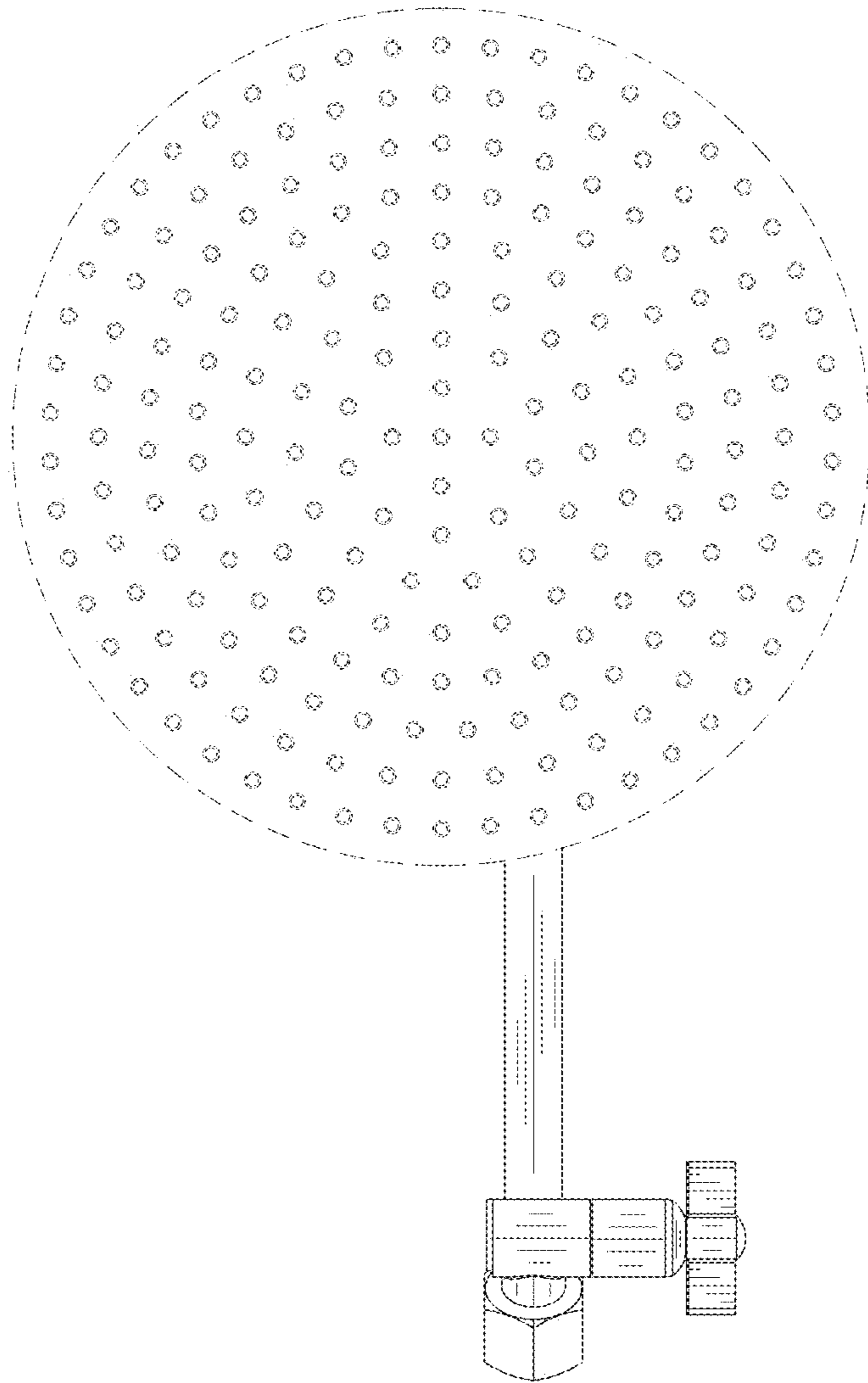




**FIG. 7**



**FIG. 8**



**FIG. 9**