

US00D975246S

(12) **United States Design Patent** (10) **Patent No.:** **US D975,246 S**
Hsu (45) **Date of Patent:** **** Jan. 10, 2023**

(54) **SHOWER HANDLE**

(71) Applicant: **Spectrum Brands, Inc.**, Middleton, WI (US)

(72) Inventor: **Wei Hsu**, Lake Forest, CA (US)

(73) Assignee: **Spectrum Brands, Inc.**, Middleton, WI (US)

(**) Term: **15 Years**

(21) Appl. No.: **29/777,323**

(22) Filed: **Apr. 5, 2021**

(51) **LOC (14) Cl.** **23-01**

(52) **U.S. Cl.**
USPC **D23/254**

(58) **Field of Classification Search**
USPC D23/238–244, 250, 252, 254–255, 257;
D8/300, 307–308
CPC F16K 31/602; F16K 31/605; F16K 31/607;
E03C 1/02; E03C 1/04
See application file for complete search history.

(56) **References Cited**

U.S. PATENT DOCUMENTS

D332,826 S *	1/1993	Rosenbaum	D23/254
D700,298 S *	2/2014	Flowers	D23/254
D743,507 S *	11/2015	Georgeson	D23/254
D817,460 S	5/2018	Zhang		
D901,638 S *	11/2020	Soulier	D23/252
D916,244 S *	4/2021	Eads	D23/254
D939,670 S *	12/2021	Wang	D23/254
D958,300 S *	7/2022	Lazarini	D23/254

FOREIGN PATENT DOCUMENTS

EM 004089183-0015 * 8/2017

OTHER PUBLICATIONS

Moen T2901 Gibson Posi-Temp Pressure-Balancing Modern Valve Trim, first available Oct. 7, 2016[online], [site visited Aug. 5, 2022]. Available from internet, URL:<https://www.amazon.com/Moen-T2901-One-Handle-Without-Chrome-T2901/dp/B01M0E8DSG> (Year: 2016).*

Moen T2131BN Eva Posi-Temp Tub/Shower Valve, first available Sep. 14, 2004[online], [site visited Aug. 5, 2022]. Available from internet, URL:<https://www.amazon.com/dp/B001A07WZA?th=1> (Year: 2004).*

* cited by examiner

Primary Examiner — David G Muller

Assistant Examiner — Jamaal Rasheed

(74) *Attorney, Agent, or Firm* — Merchant & Gould, P.C.

(57) **CLAIM**

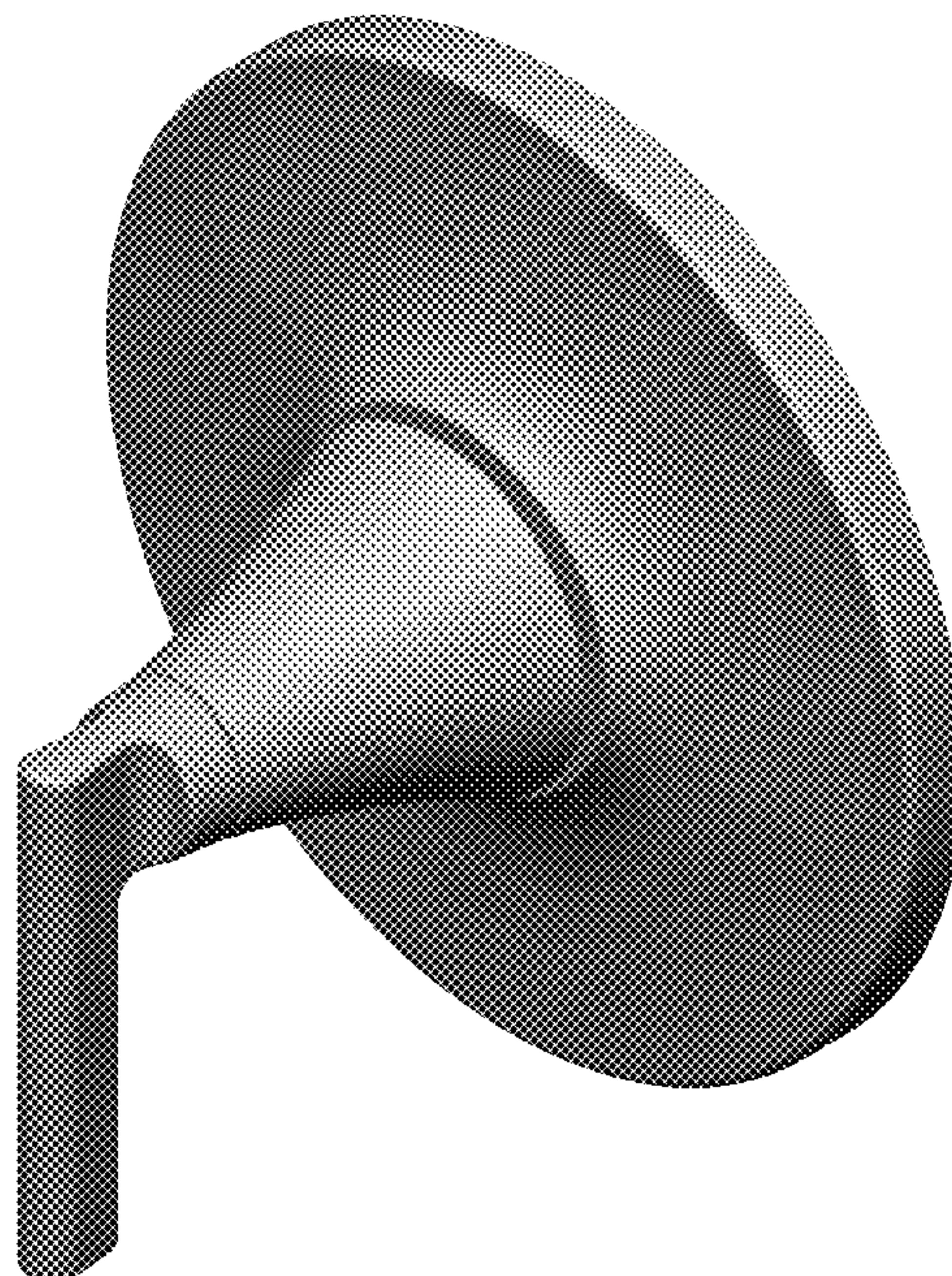
The ornamental design for a shower handle, as shown and described.

DESCRIPTION

FIG. 1 is a front perspective view of a shower handle showing my new design;
FIG. 2 is a front view thereof;
FIG. 3 is a rear view thereof;
FIG. 4 is a right side view thereof;
FIG. 5 is a left side view thereof;
FIG. 6 is a top view thereof; and,
FIG. 7 is a bottom view thereof.

The broken line immediately adjacent to the photographic area defines the bounds of the claimed design and forms no part thereof. The unshaded area within the broken lines forms no part of the claimed design.

1 Claim, 7 Drawing Sheets



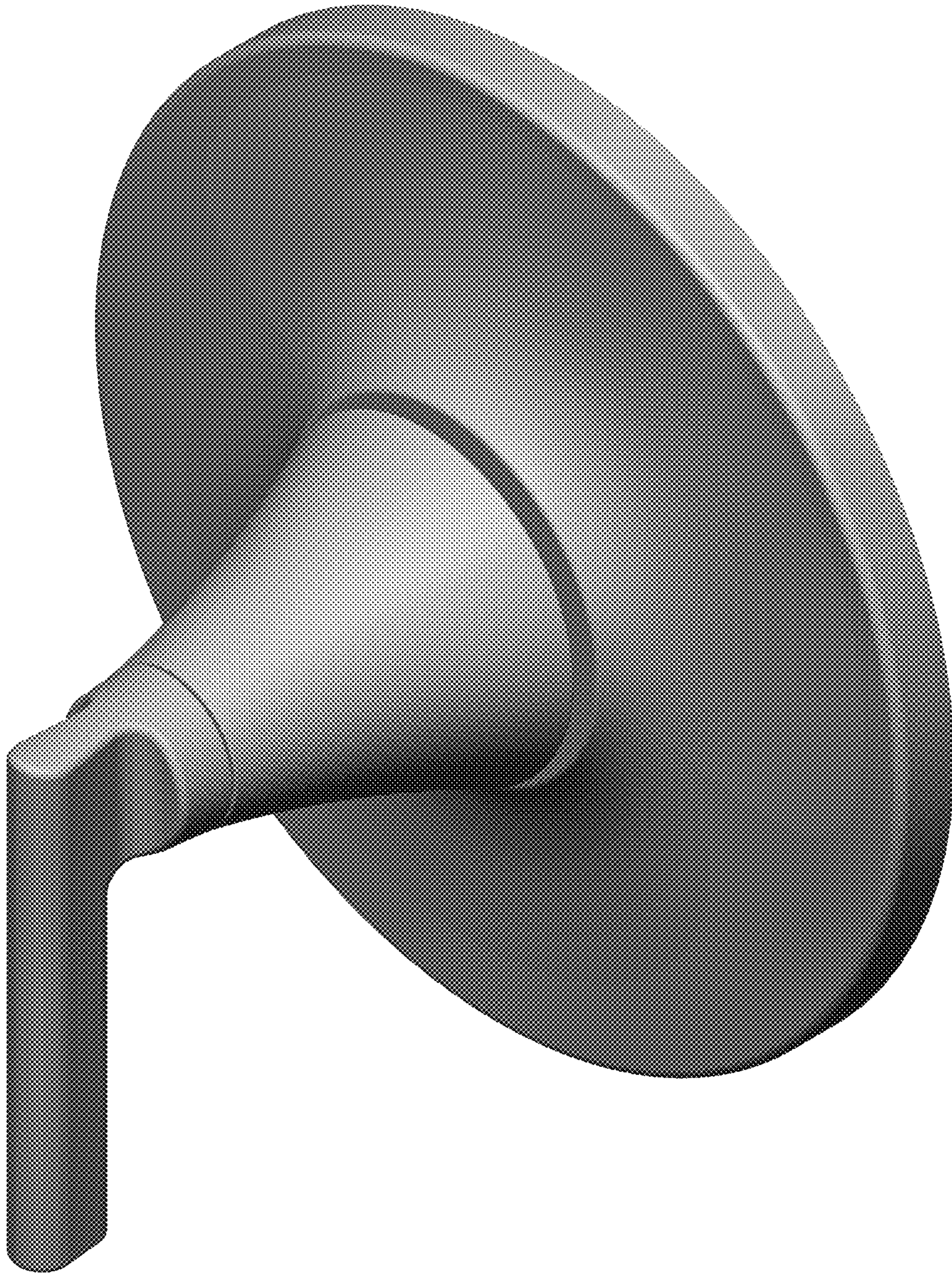


FIG. 1

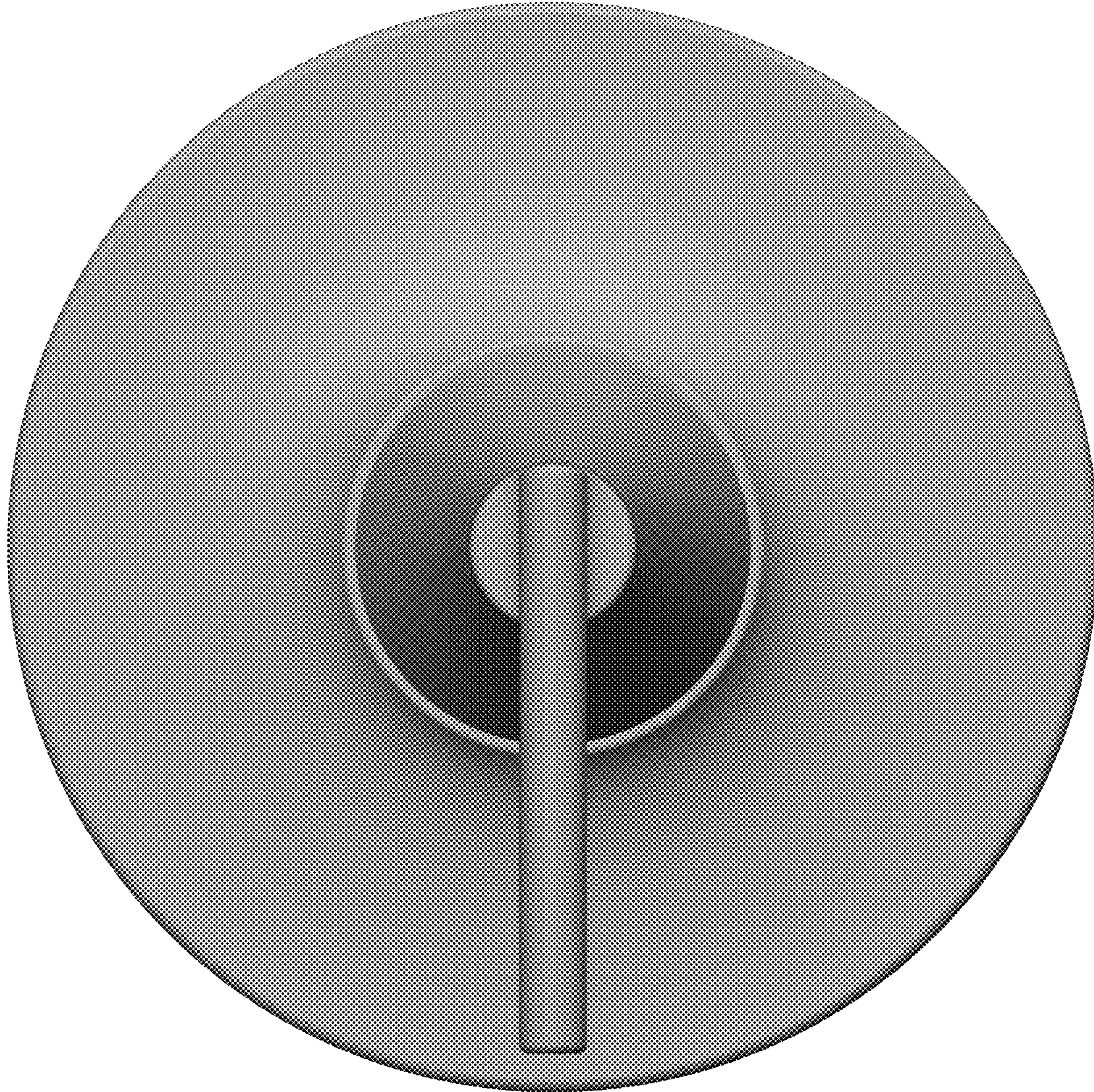


FIG. 2

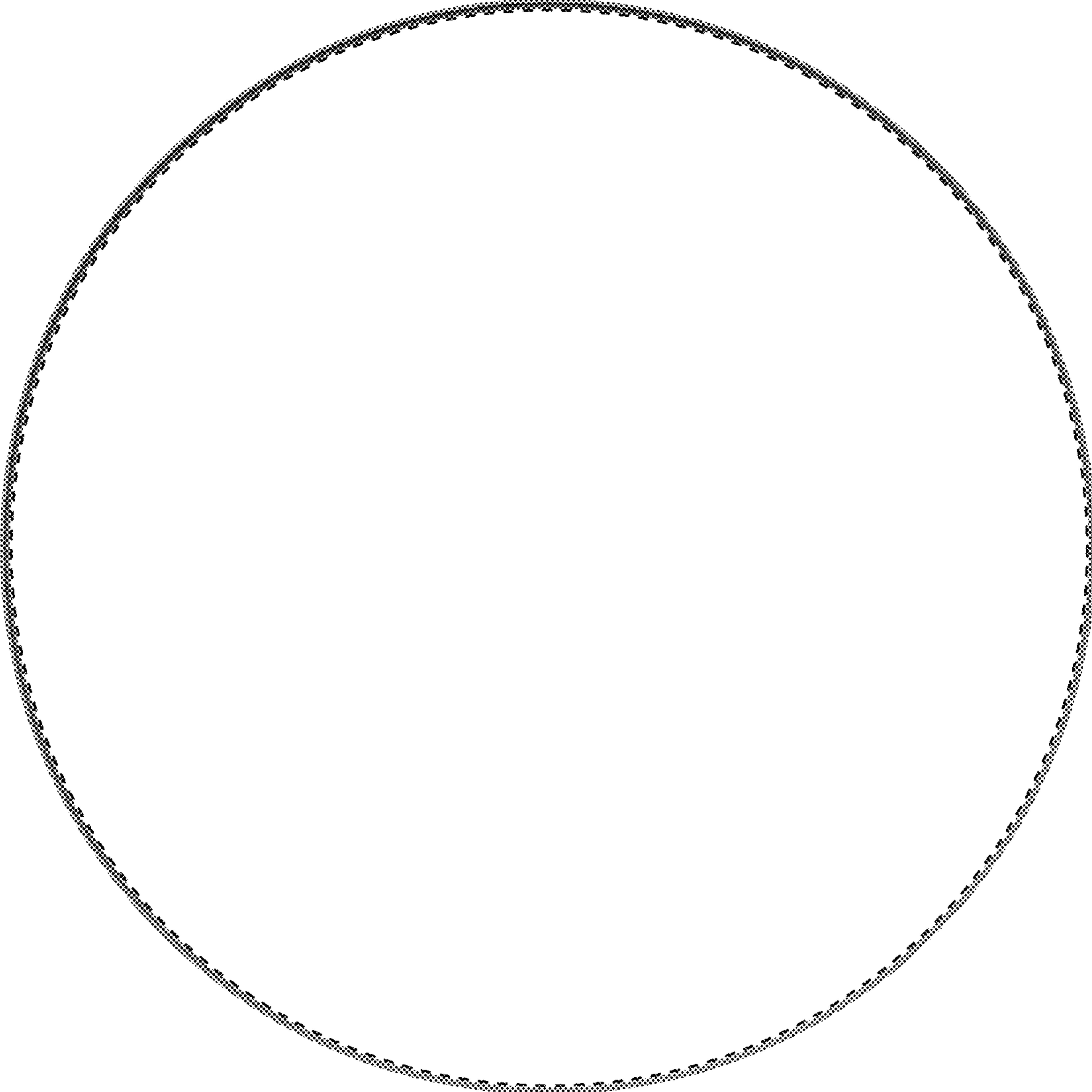


FIG. 3

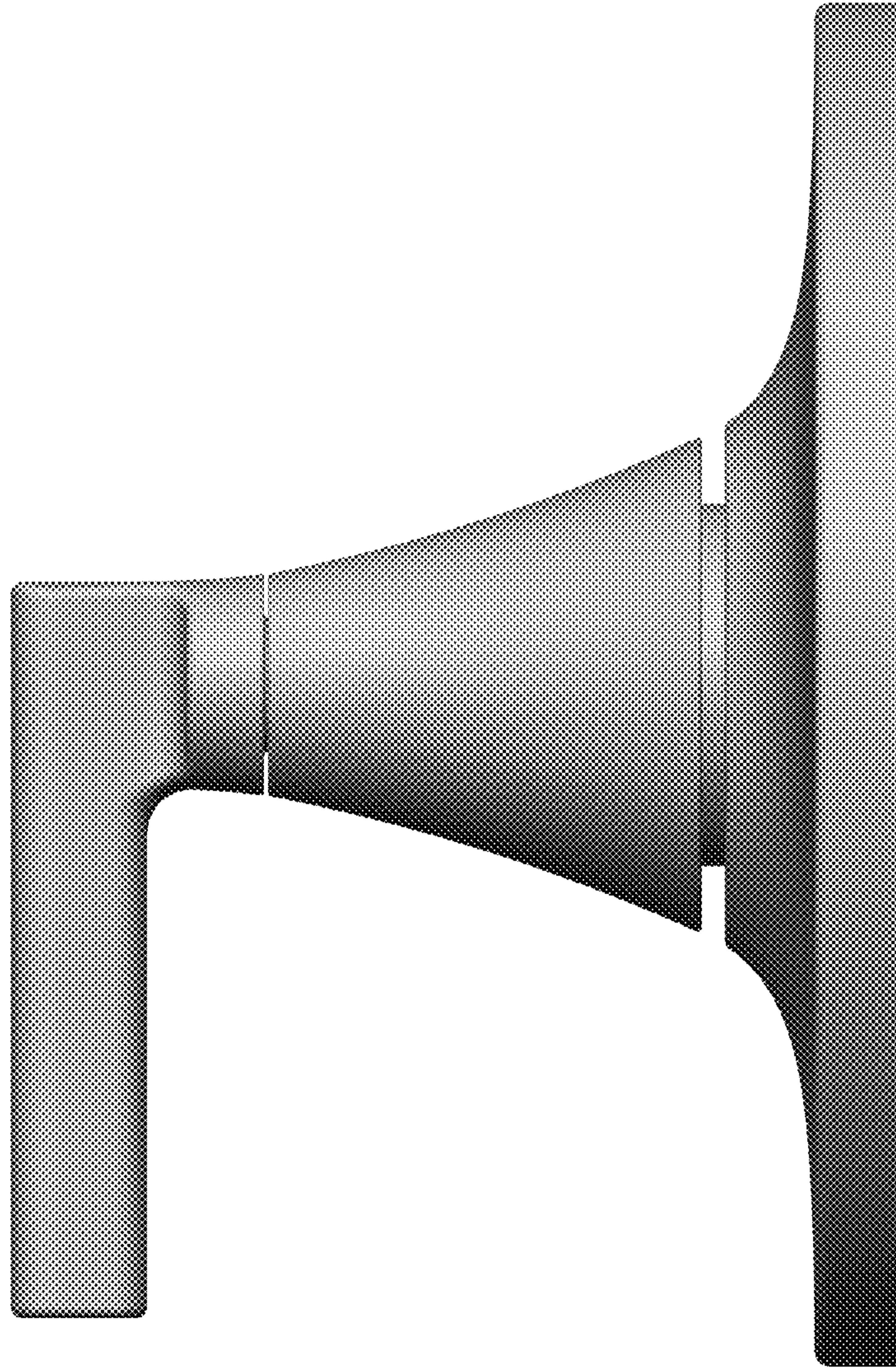


FIG. 4

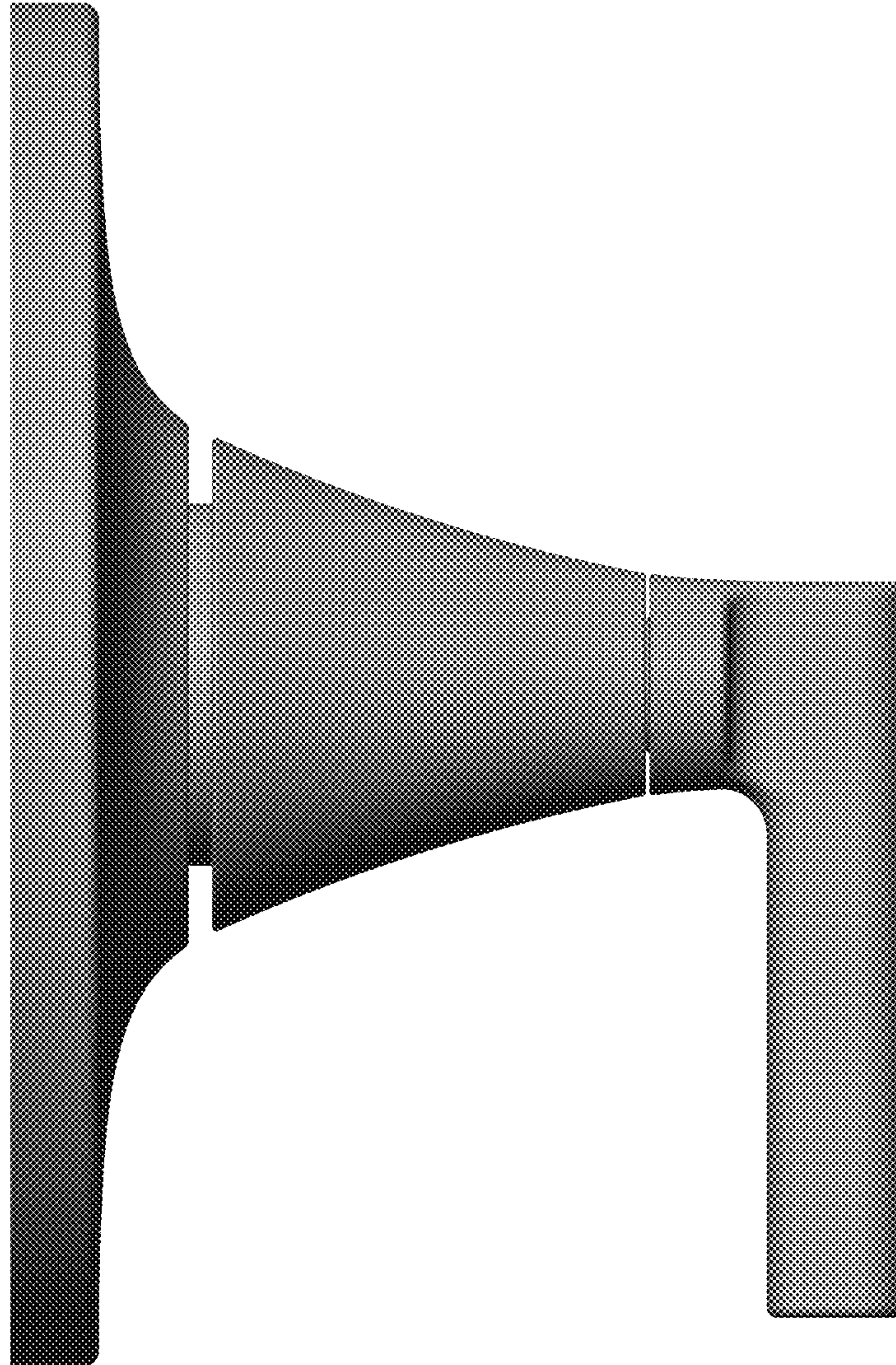


FIG. 5

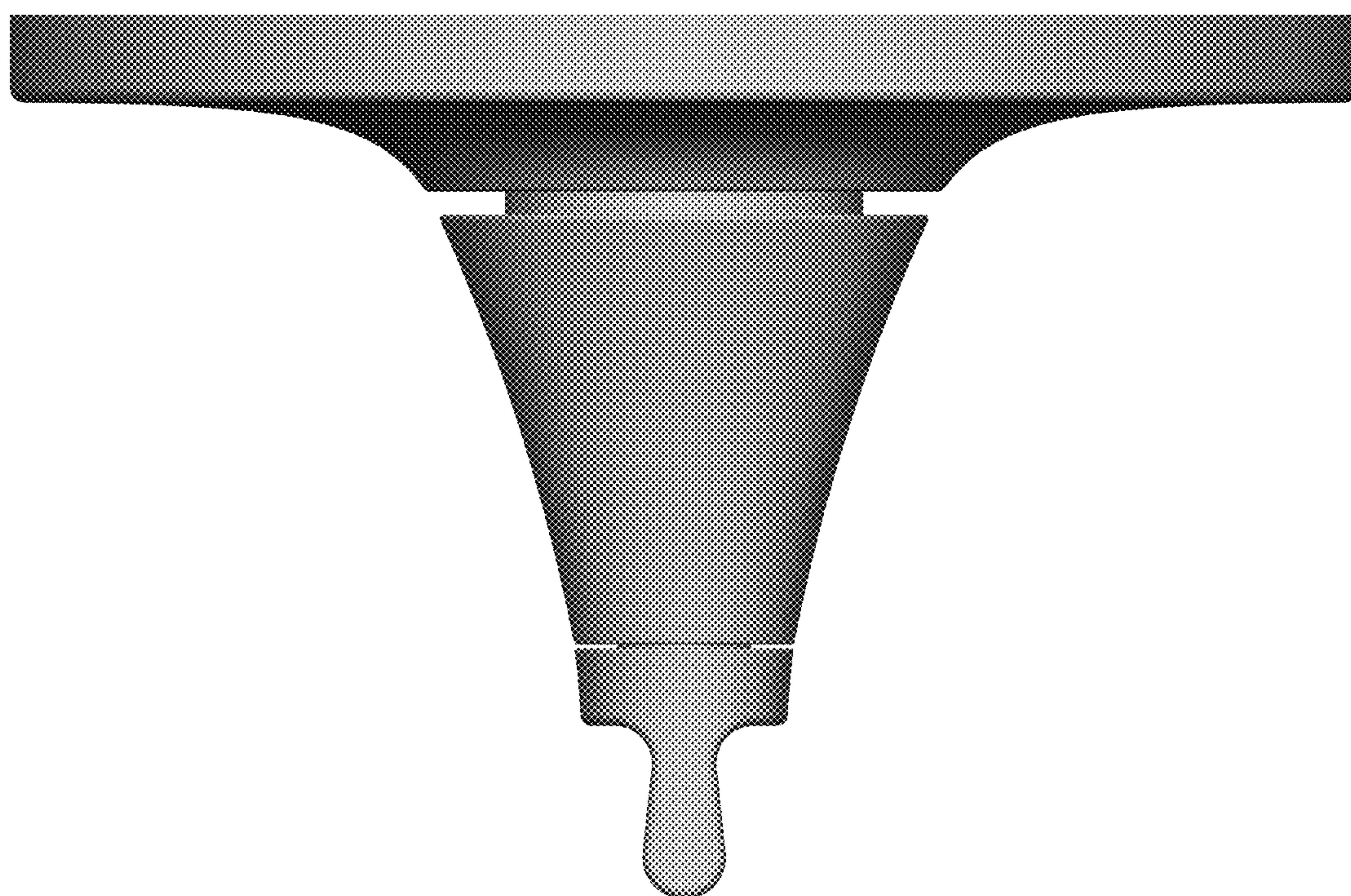


FIG. 6

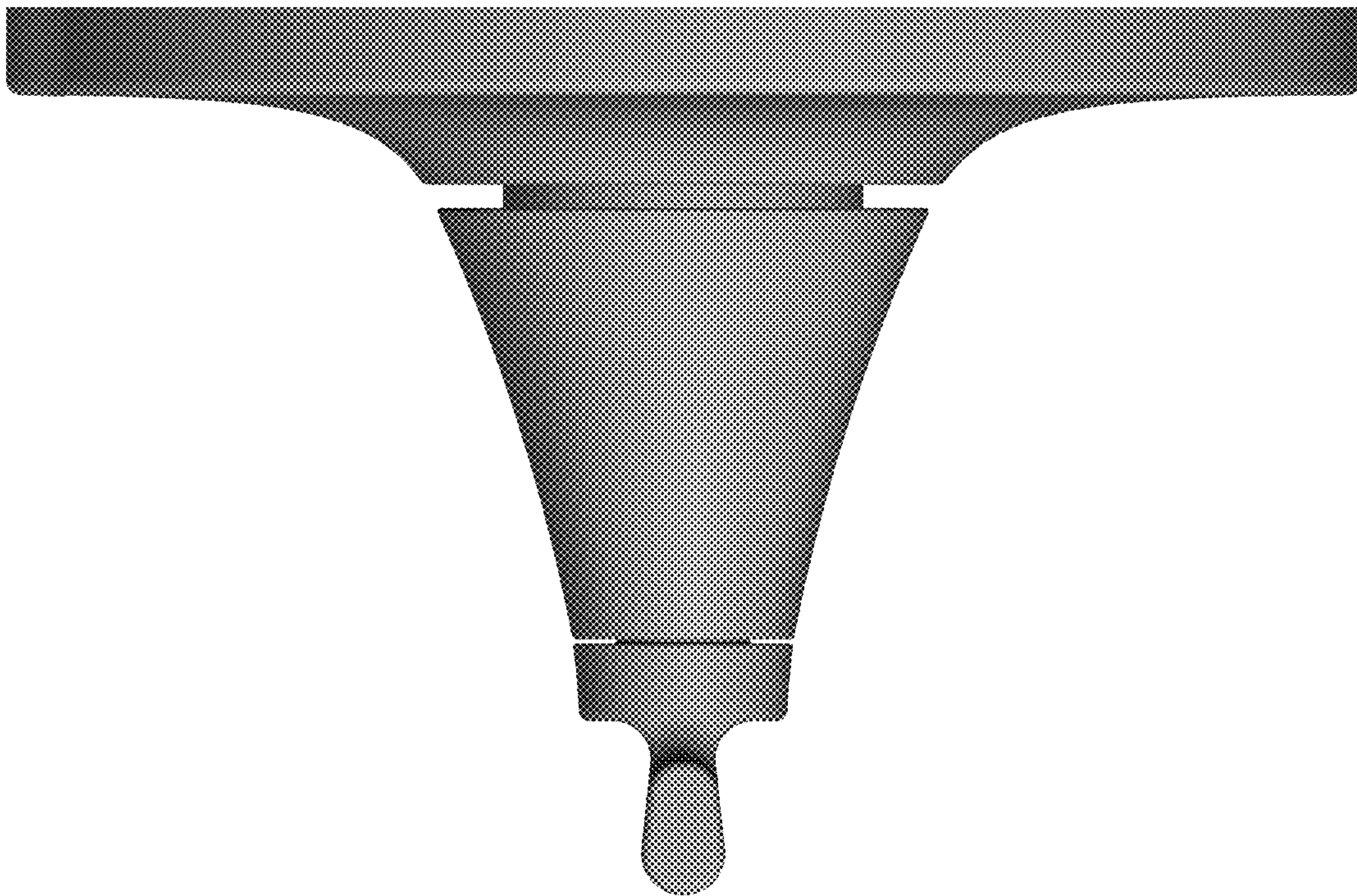


FIG. 7