



US00D975245S

(12) **United States Design Patent** (10) **Patent No.:** **US D975,245 S**  
**Elser** (45) **Date of Patent:** **\*\* Jan. 10, 2023**

(54) **FAUCET BODY**  
(71) Applicant: **DELTA FAUCET COMPANY,**  
Indianapolis, IN (US)  
(72) Inventor: **Simon Elser,** Indianapolis, IN (US)  
(73) Assignee: **DELTA FAUCET COMPANY,**  
Indianapolis, IN (US)  
(\*\*) Term: **15 Years**  
(21) Appl. No.: **29/844,638**  
(22) Filed: **Jun. 30, 2022**

D837,942 S \* 1/2019 Soulier ..... D23/242  
D839,993 S \* 2/2019 Garland ..... D23/242  
D854,661 S \* 7/2019 Hsieh ..... D23/249  
D914,153 S \* 3/2021 Seum ..... D23/241  
D931,419 S \* 9/2021 Kulig ..... D23/242  
2009/0095361 A1\* 4/2009 Chung ..... E03C 1/104  
137/594

**FOREIGN PATENT DOCUMENTS**

CA 123065 \* 5/2007

**OTHER PUBLICATIONS**

Signature Hardware 918022 Monroe Bridge Bathroom Faucet, first available Aug. 11, 2018 [online], [site visited Sep. 2, 2022]. Available from internet, URL:< https://www.amazon.com/Signature-Hardware-Bathroom-Handles-Assembly/dp/B005F75KWQ?th=1 > (Year: 2018).\*

\* cited by examiner

*Primary Examiner* — David G Muller  
*Assistant Examiner* — Jamaal Rasheed  
(74) *Attorney, Agent, or Firm* — Jeffrey L. Doyle

(57) **CLAIM**

The ornamental design for a faucet body, as shown and described.

**DESCRIPTION**

FIG. 1 is a front perspective view of a faucet body showing my new design;  
FIG. 2 is a rear perspective view thereof;  
FIG. 3 is a front elevational view thereof;  
FIG. 4 is a left side view thereof;  
FIG. 5 is a rear view thereof;  
FIG. 6 is a right side view thereof;  
FIG. 7 is a top plan view thereof; and,  
FIG. 8 is a bottom view thereof.

**1 Claim, 4 Drawing Sheets**

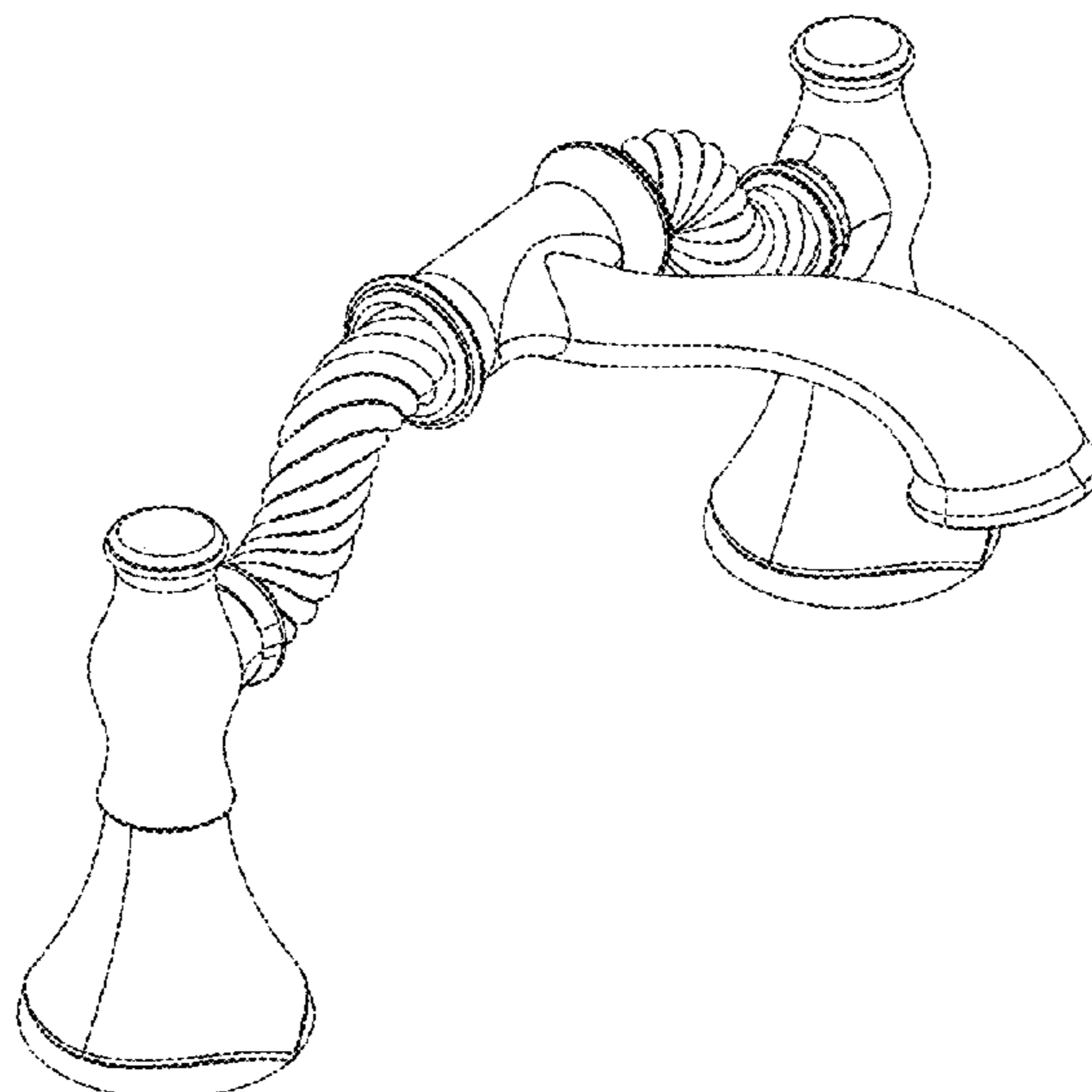
**Related U.S. Application Data**

(63) Continuation-in-part of application No. 29/724,922, filed on Feb. 20, 2020.  
(51) **LOC (14) Cl.** ..... **23-01**  
(52) **U.S. Cl.**  
USPC ..... **D23/242**  
(58) **Field of Classification Search**  
USPC ..... D23/238–243, 249, 255, 257  
CPC .... E03C 1/0401; E03C 1/0402; E03C 1/0404;  
E03C 1/0405; E03C 1/0412  
See application file for complete search history.

(56) **References Cited**

**U.S. PATENT DOCUMENTS**

D466,981 S \* 12/2002 Cosolito ..... D23/242  
D472,608 S \* 4/2003 Shieh ..... D23/241  
D490,142 S \* 5/2004 Ouyoung ..... D23/239  
D492,391 S \* 6/2004 Herbeau ..... D23/242  
D497,197 S \* 10/2004 Warshawsky ..... D23/242  
D511,815 S \* 11/2005 Egee ..... D23/242  
D512,485 S \* 12/2005 Kulig ..... D23/242  
D524,916 S \* 7/2006 Schaffeld ..... D23/242  
D583,440 S \* 12/2008 Spangler ..... D23/241  
D601,664 S \* 10/2009 Bailey ..... D23/241  
D693,439 S \* 11/2013 Shieh ..... D23/241  
D696,750 S \* 12/2013 Standefer ..... D23/242



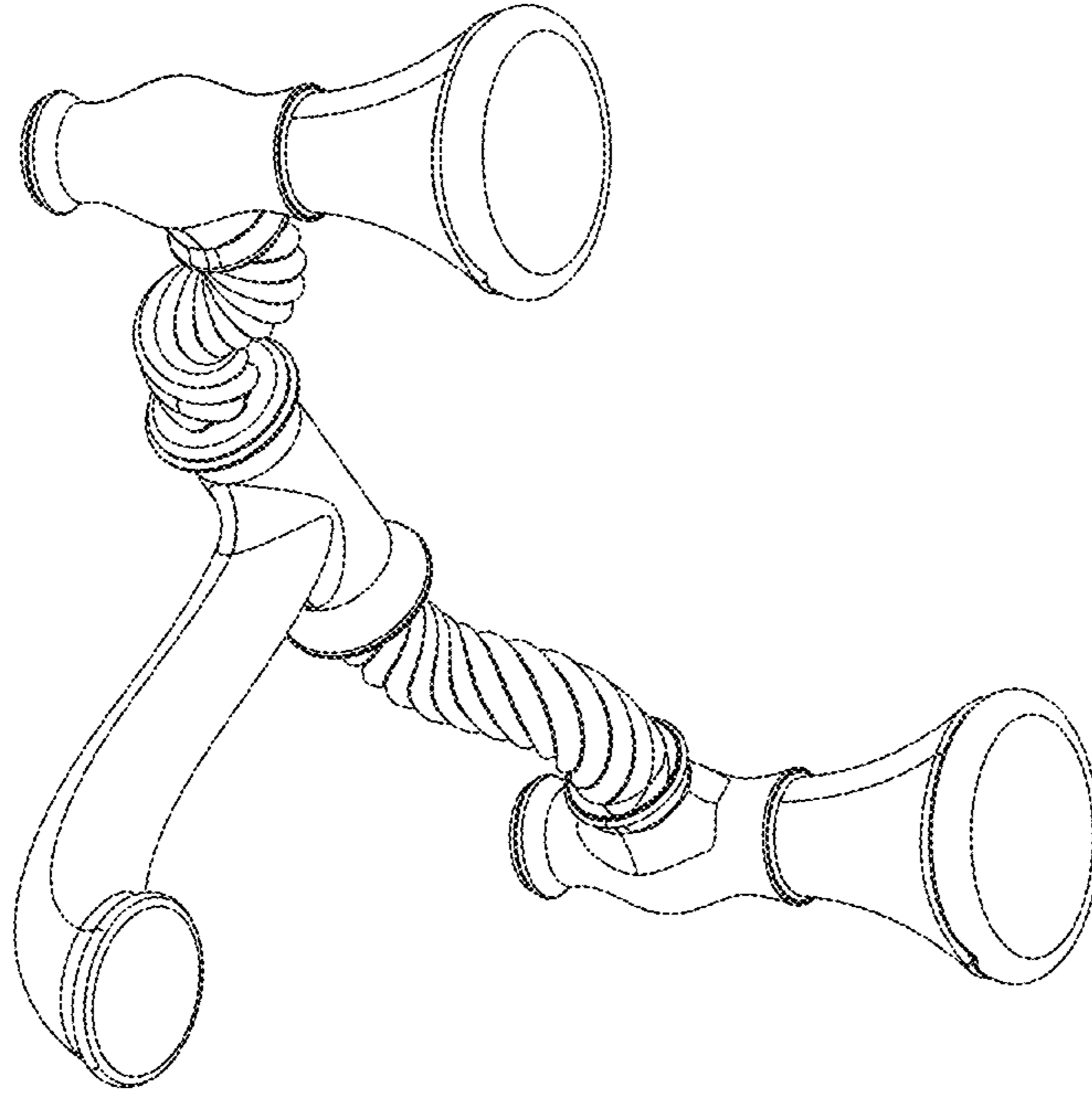


FIG - 2

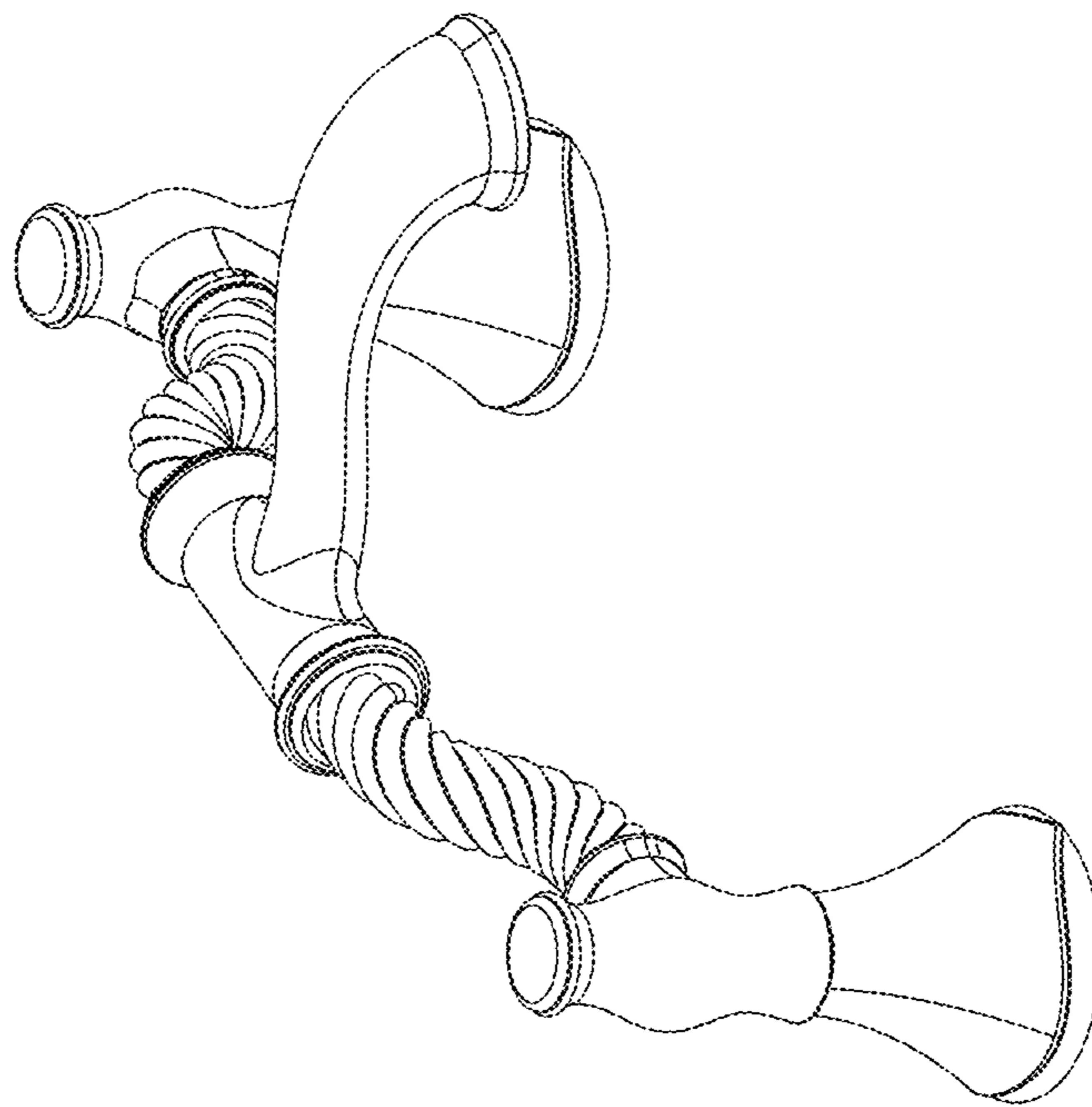


FIG - 1

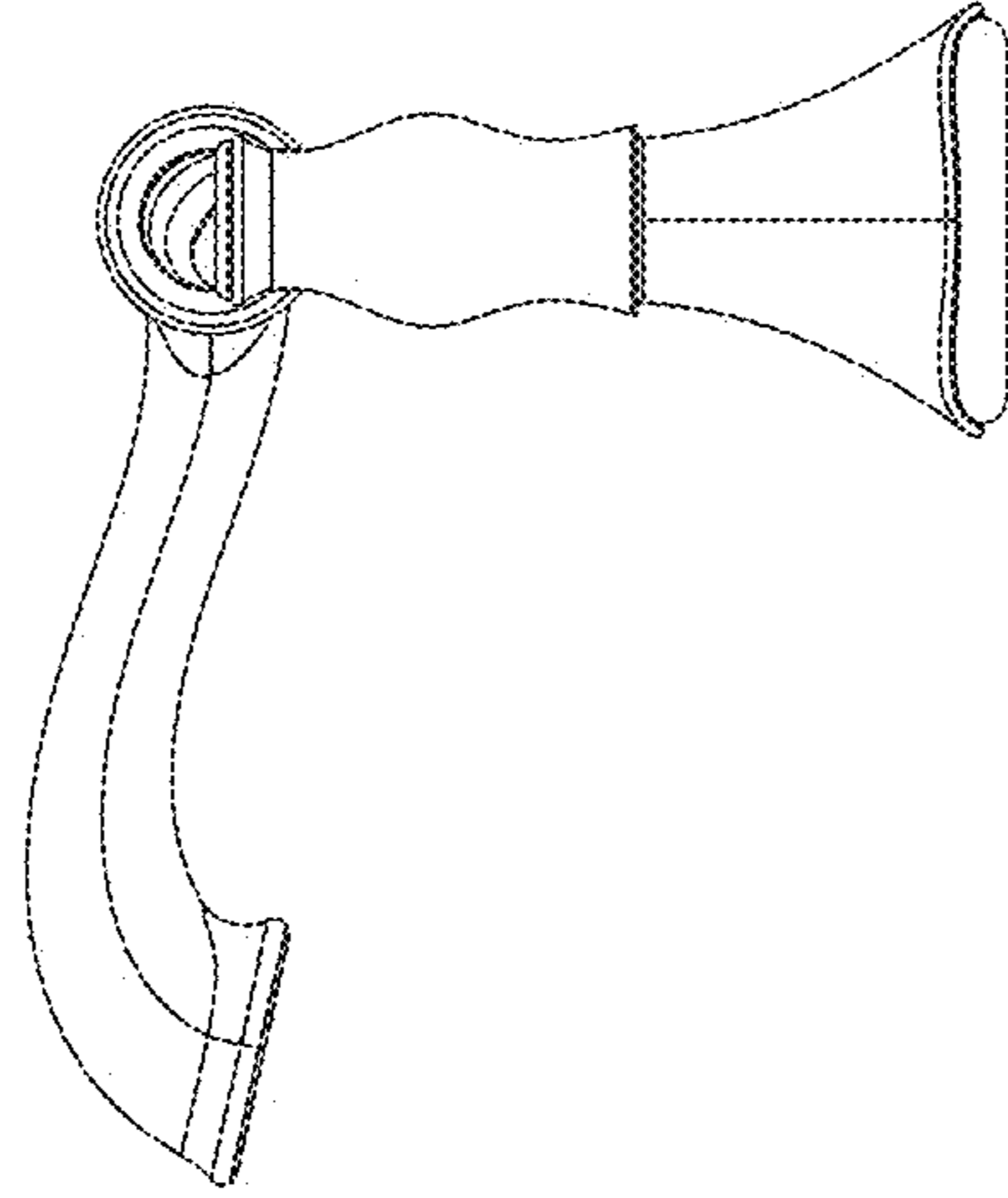


FIG - 4

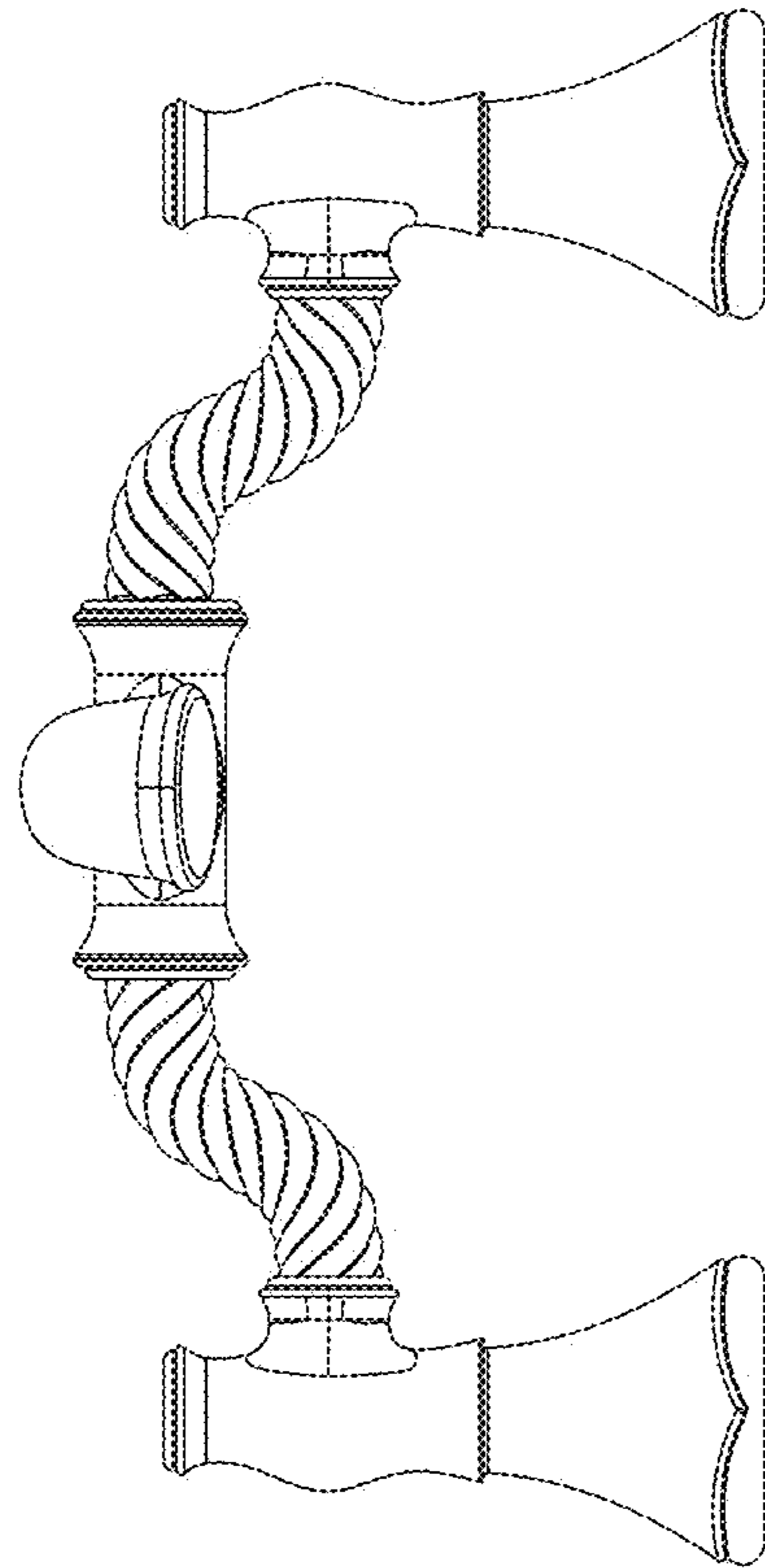


FIG - 3

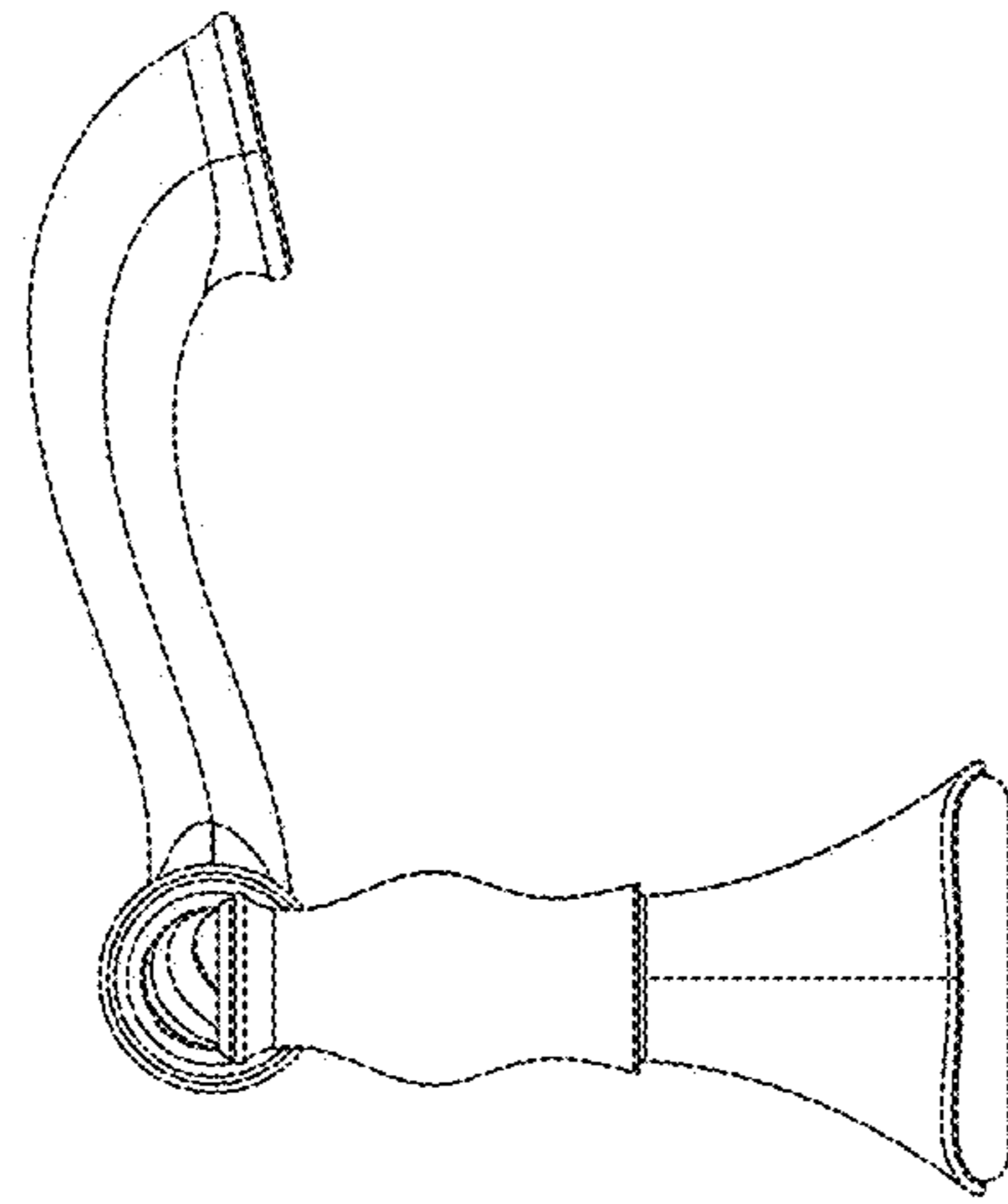


FIG - 6

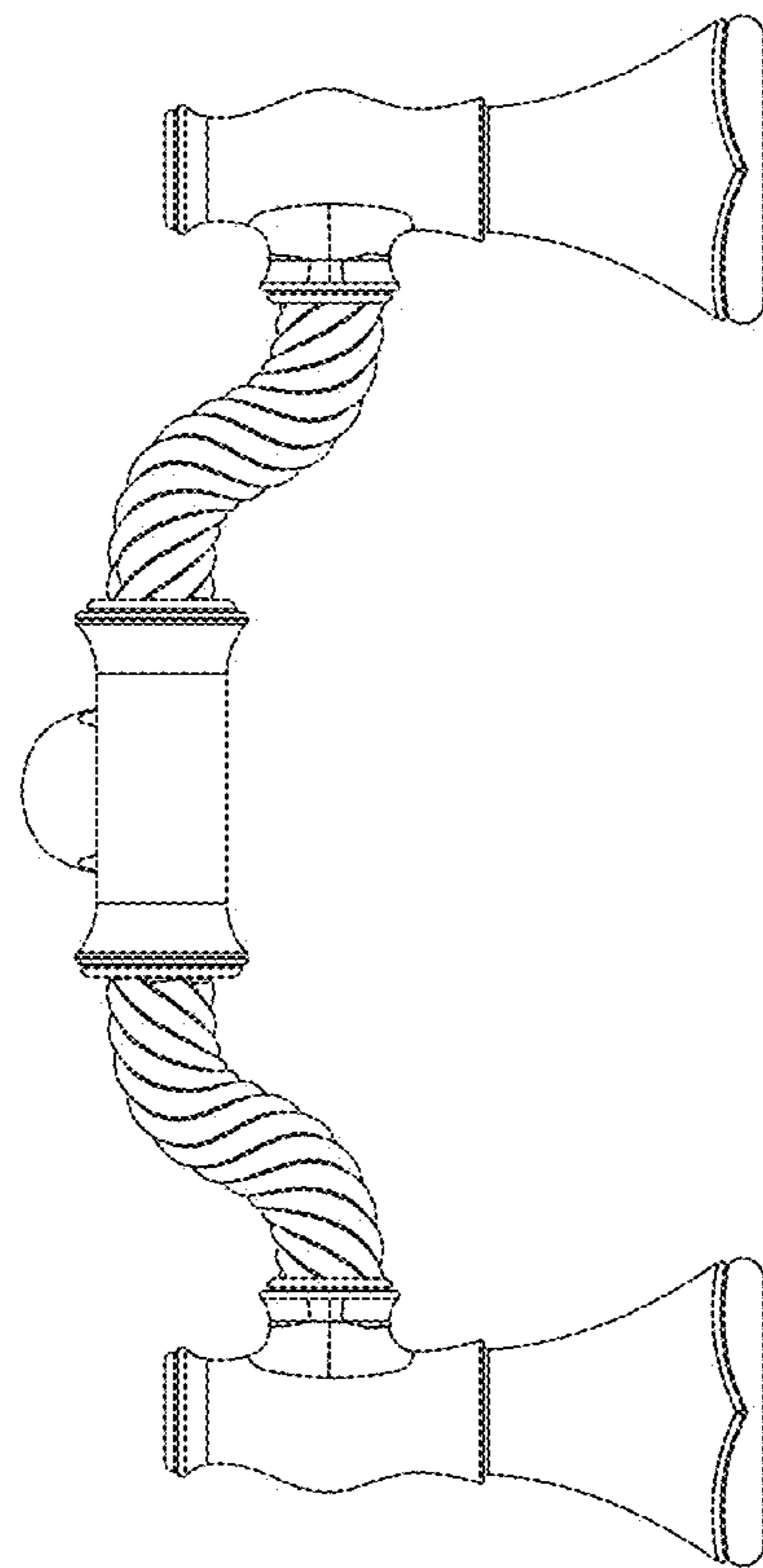


FIG - 5

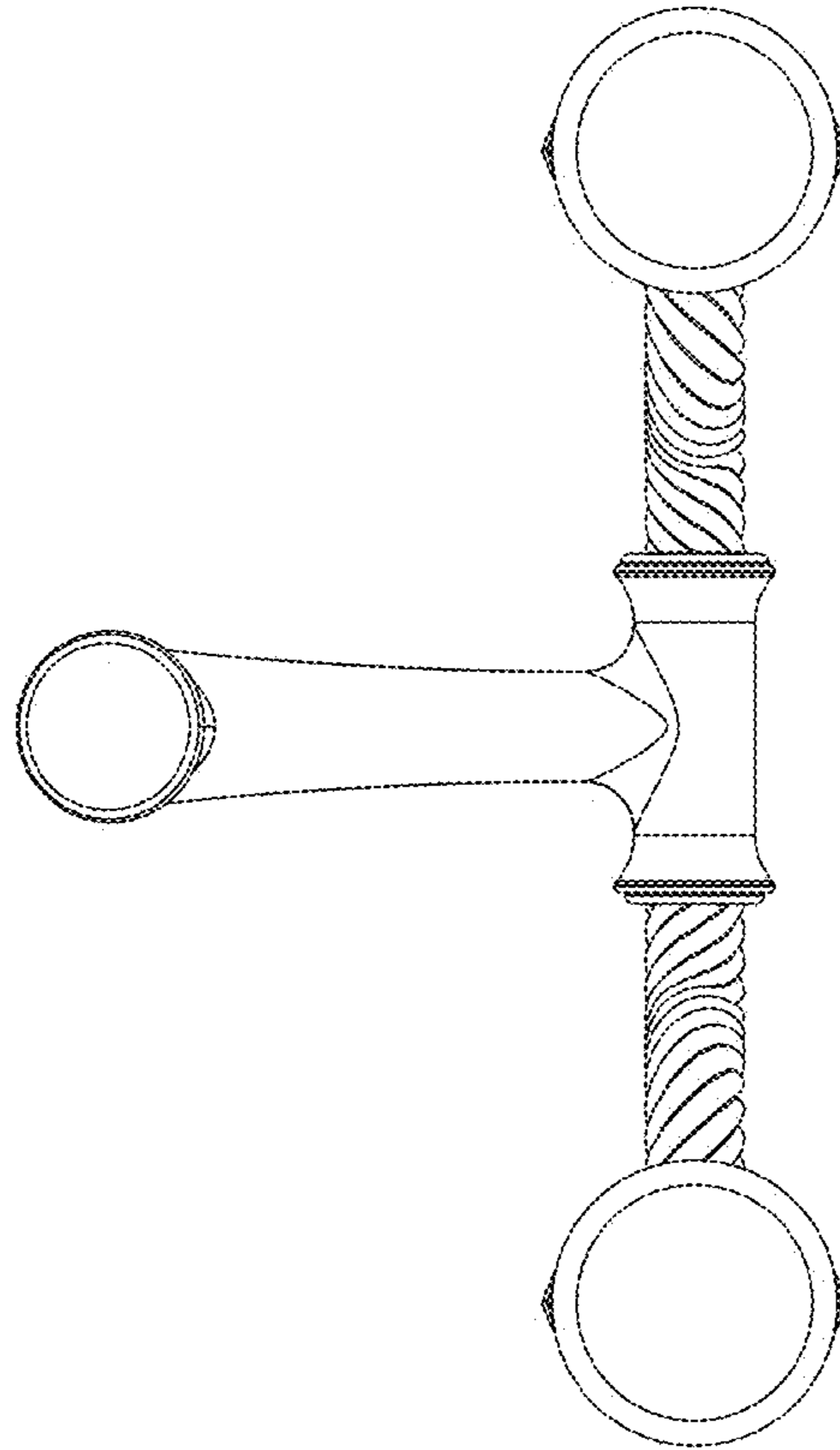


FIG - 8

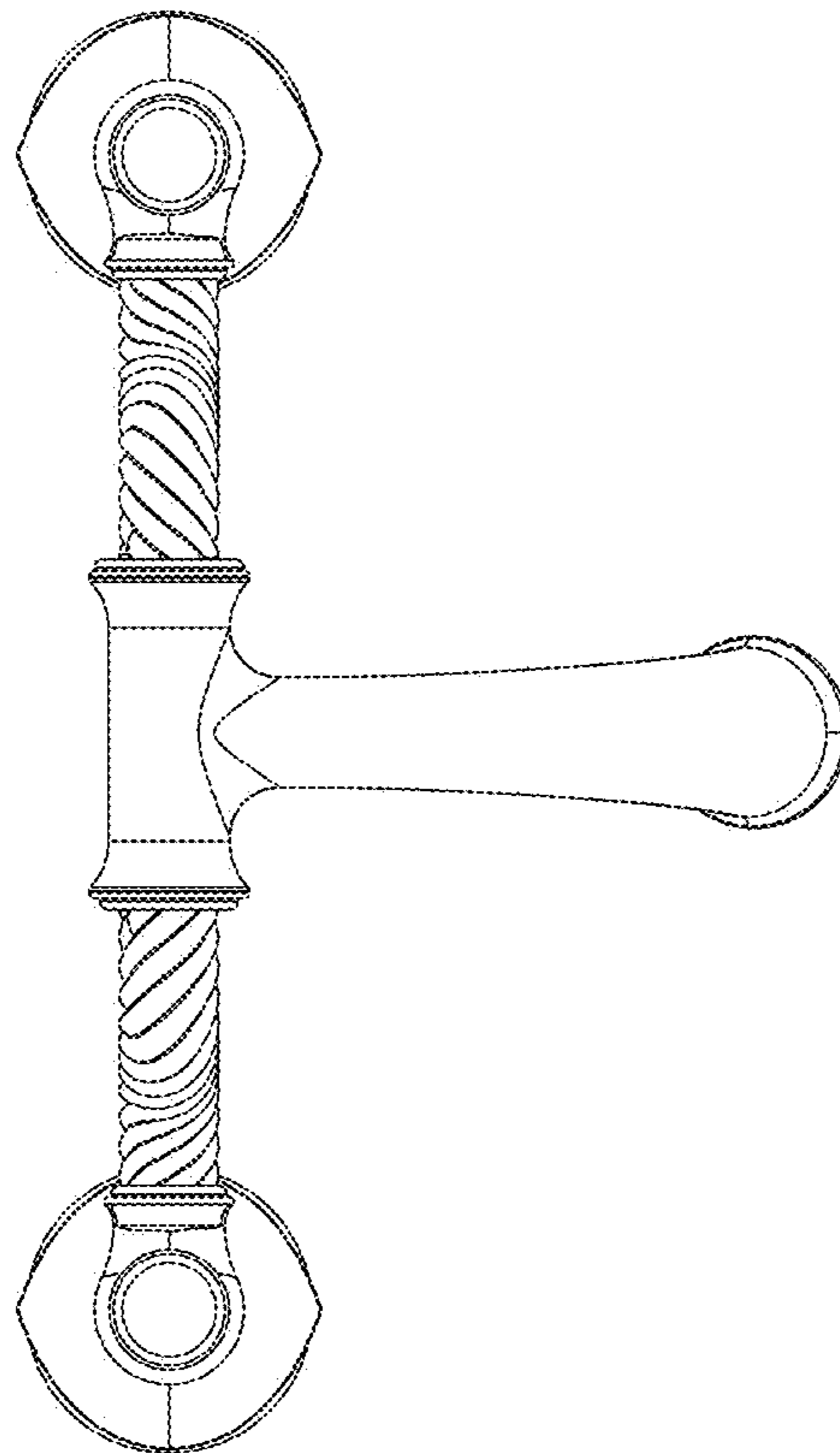


FIG - 7