

US00D975242S

(12) **United States Design Patent**  
**Harper et al.**

(10) **Patent No.:** **US D975,242 S**  
(45) **Date of Patent:** **\*\* Jan. 10, 2023**

- (54) **ELECTROSTATIC SPRAYER**
- (71) Applicant: **Sanotech 360, LLC**, Fort Worth, TX (US)
- (72) Inventors: **Michael D. Harper**, Fort Worth, TX (US); **Michael L. Sides**, Weatherford, TX (US)
- (73) Assignee: **SanoTech 360, LLC**, Fort Worth, TX (US)
- (\*\*) Term: **15 Years**
- (21) Appl. No.: **29/749,479**
- (22) Filed: **Sep. 4, 2020**
- (51) **LOC (14) Cl.** ..... **23-01**
- (52) **U.S. Cl.**  
USPC ..... **D23/226**
- (58) **Field of Classification Search**  
USPC ..... D23/208, 213, 214, 223, 225, 226;  
D8/29.1  
CPC .. B05B 5/00; B05B 5/025; B05B 5/03; B05B 5/035; B05B 5/16; B05B 5/1691; B05B 7/00; B05B 7/02; B05B 7/12; B05B 7/129; B05B 7/24; B05B 7/2464; B05B 7/2475; B05B 9/00; B05B 9/005; B05B 9/01; B05B 9/0403; B05B 9/0426; B05B 9/08; B05B 9/085; B05B 9/0861; B05B 12/002  
See application file for complete search history.

- D578,603 S \* 10/2008 Khaitov ..... D23/213
- D607,969 S \* 1/2010 Ariaz ..... D23/213
- D657,846 S \* 4/2012 Crawley ..... D23/225
- 10,334,837 B1 \* 7/2019 Reid ..... A01M 25/006
- D913,064 S \* 3/2021 Kachar ..... D8/68
- D937,644 S \* 12/2021 Yang ..... D8/29.1
- D946,114 S \* 3/2022 Sides ..... D23/226
- 2006/0097071 A1 \* 5/2006 Robidoux ..... B05B 5/1683  
239/690

(Continued)

**OTHER PUBLICATIONS**

Victory Innovations Cordless Electrostatic Handheld Sprayer, Jan. 16, 2017, Amazon, site visited Apr. 11, 2022: <https://www.amazon.com/dp/B0754SXWTS/> (Year: 2017).\*

(Continued)

*Primary Examiner* — Jack Reickel  
*Assistant Examiner* — Bobby W Jones, II  
(74) *Attorney, Agent, or Firm* — Foley & Lardner LLP

(57) **CLAIM**

The ornamental design for an electrostatic sprayer, as shown and described.

**DESCRIPTION**

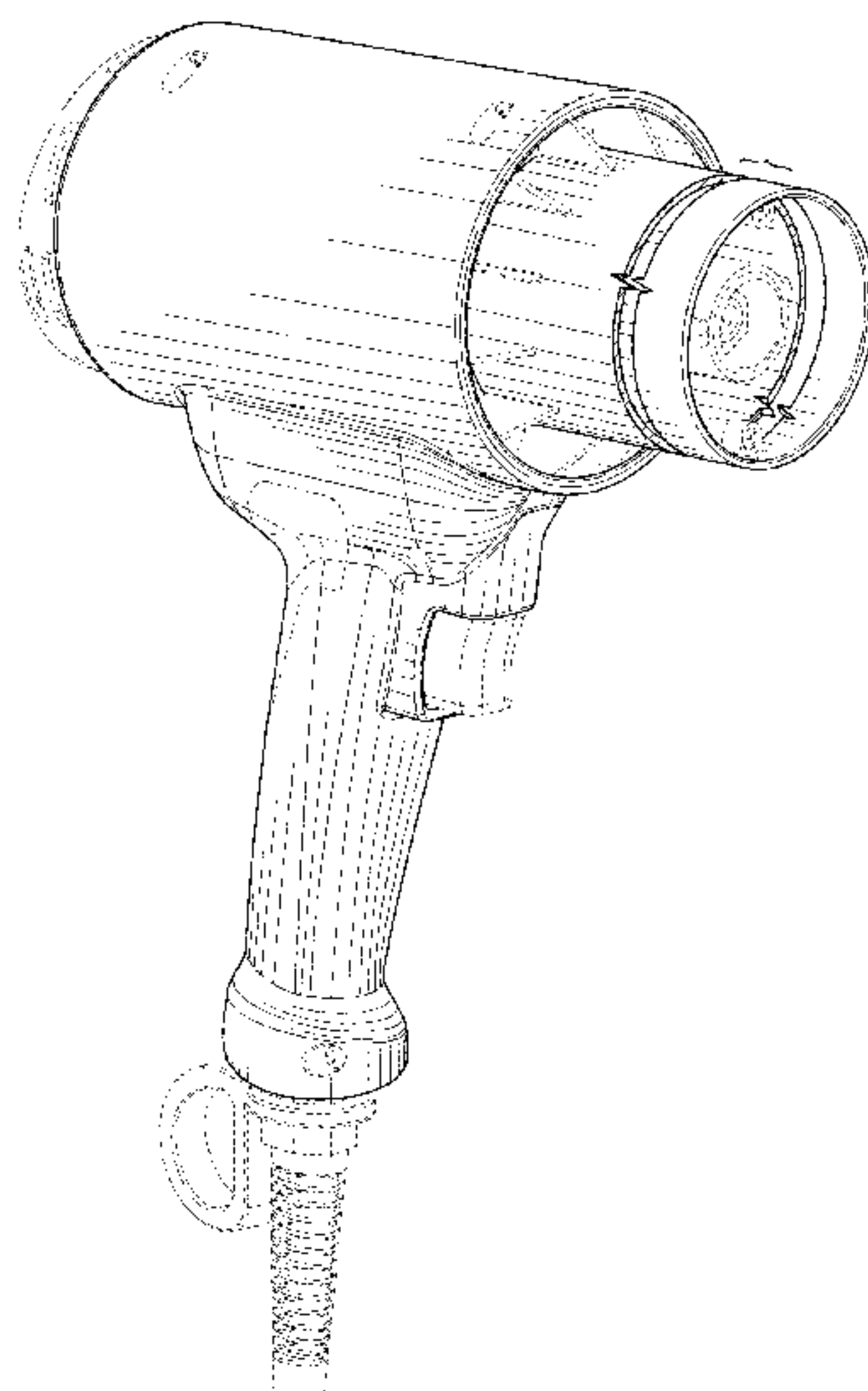
FIG. 1 is a side perspective view of the electrostatic sprayer of the present invention.  
FIG. 2 is a front plan view of the sprayer of FIG. 1.  
FIG. 3 is a back plan view of the sprayer of FIG. 1.  
FIG. 4 is a right side view of the sprayer of FIG. 1.  
FIG. 5 is a left side view of the sprayer of FIG. 1.  
FIG. 6 is a top side view of the sprayer of FIG. 1; and, FIG. 7 is a bottom side view of the sprayer of FIG. 1.  
The broken line showing of an electrostatic sprayer is for the purpose of illustrating portions of the article and forms no part of the claimed design.  
The drawings are shown with a symbolic break in length, the appearance of any portion of the article between the break lines forms no part of the claimed design.

**1 Claim, 5 Drawing Sheets**

(56) **References Cited**

**U.S. PATENT DOCUMENTS**

- D274,551 S \* 7/1984 Benjamin ..... D28/13
- D293,020 S \* 12/1987 Steinel ..... D28/13
- D388,297 S \* 12/1997 Buttenbender ..... D8/29.1
- 6,751,886 B2 \* 6/2004 Chang ..... A45D 20/50  
34/96
- D513,058 S \* 12/2005 Hayduk ..... D23/226
- D516,883 S \* 3/2006 Popov ..... D8/29.1



(56)

**References Cited**

U.S. PATENT DOCUMENTS

2010/0072300 A1\* 3/2010 Miller ..... B05B 9/0861  
239/332  
2011/0137268 A1\* 6/2011 Thomason ..... B05B 7/066  
604/291  
2011/0202019 A1\* 8/2011 Cooper ..... A61M 35/003  
604/291  
2013/0153683 A1\* 6/2013 Lawrence ..... B05B 7/2408  
239/302  
2013/0270302 A1\* 10/2013 Hsu ..... B05B 12/002  
222/386  
2014/0339329 A1\* 11/2014 Lawrence ..... B05B 14/00  
239/127  
2019/0336988 A1\* 11/2019 Daudish ..... H05B 3/16  
2020/0345925 A1\* 11/2020 Thiessies ..... A61M 3/0258

OTHER PUBLICATIONS

Milwaukee 2688-20 Cordless Heat Gun, Nov. 15, 2017, Amazon,  
site visited Apr. 11, 2022: <https://www.amazon.com/dp/B077GPG2HS/> (Year: 2017).\*

Emist EX7000 photo, Nov. 2, 2020, Facebook, site visited Apr. 11,  
2022: <https://www.facebook.com/emistsolutions/photos/2154529591347637> (Year: 2020).\*

\* cited by examiner

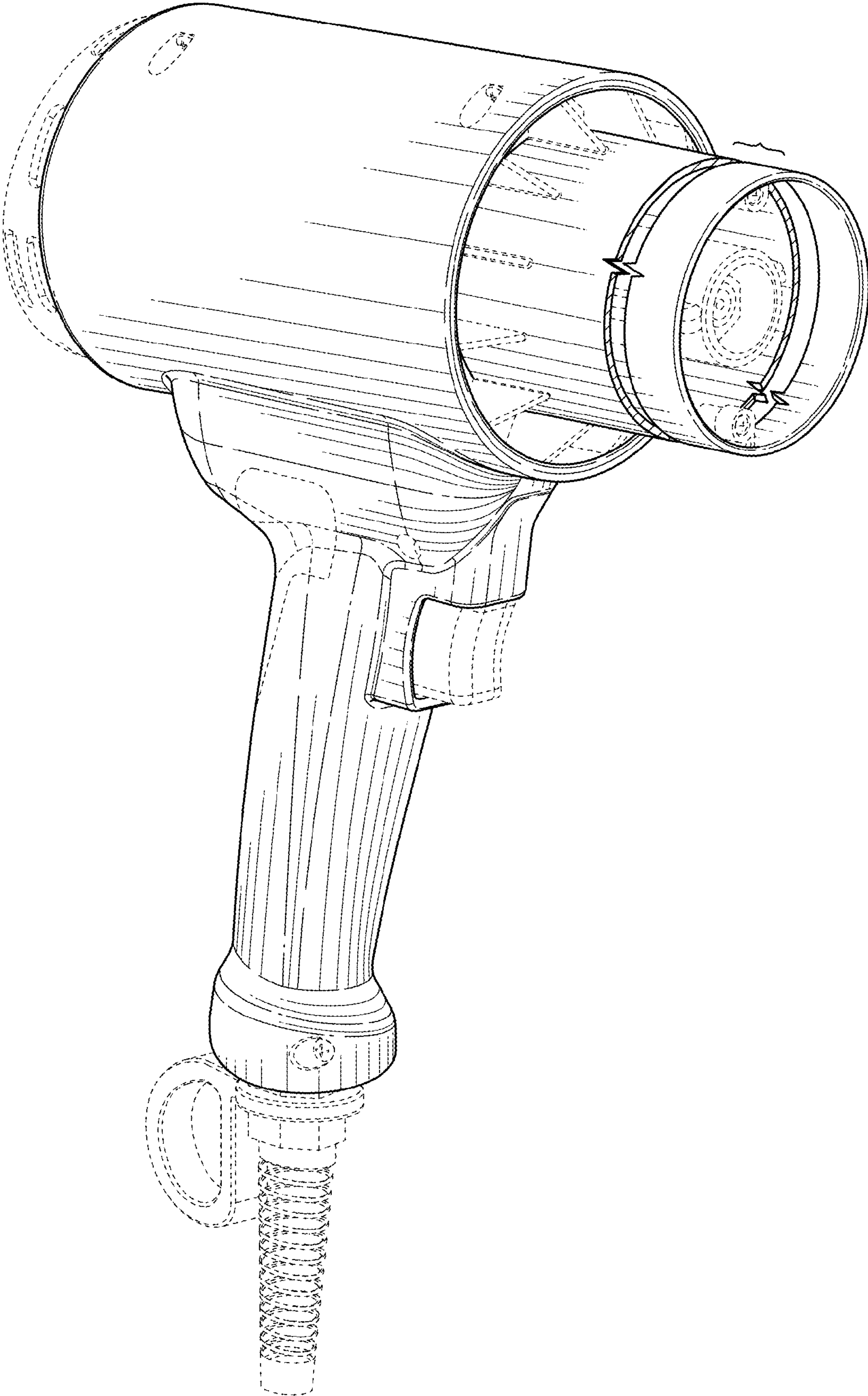


FIG. 1



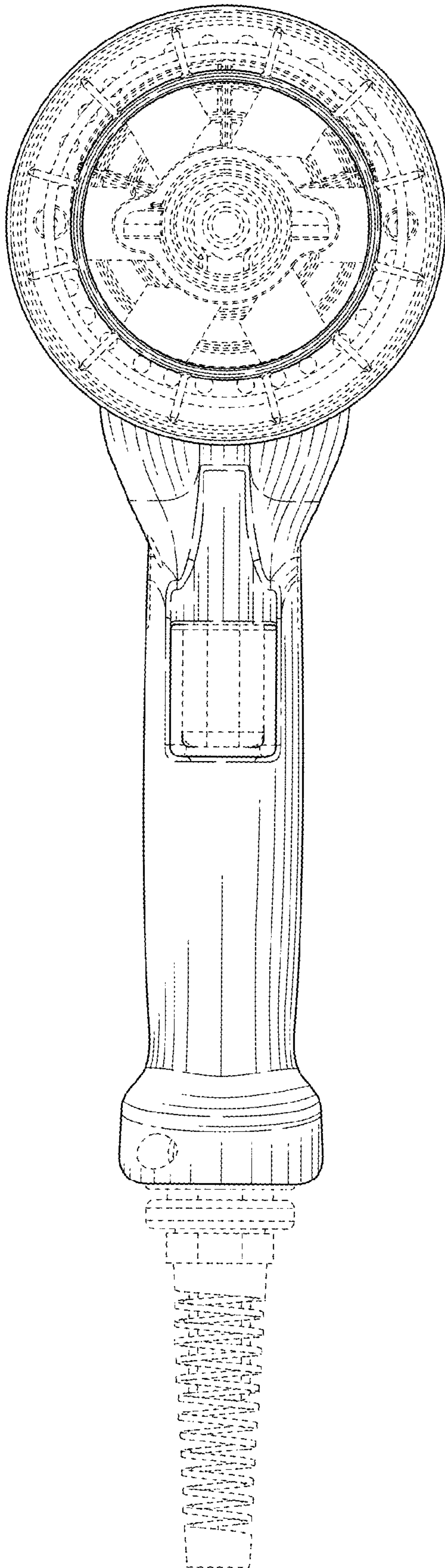


FIG. 2

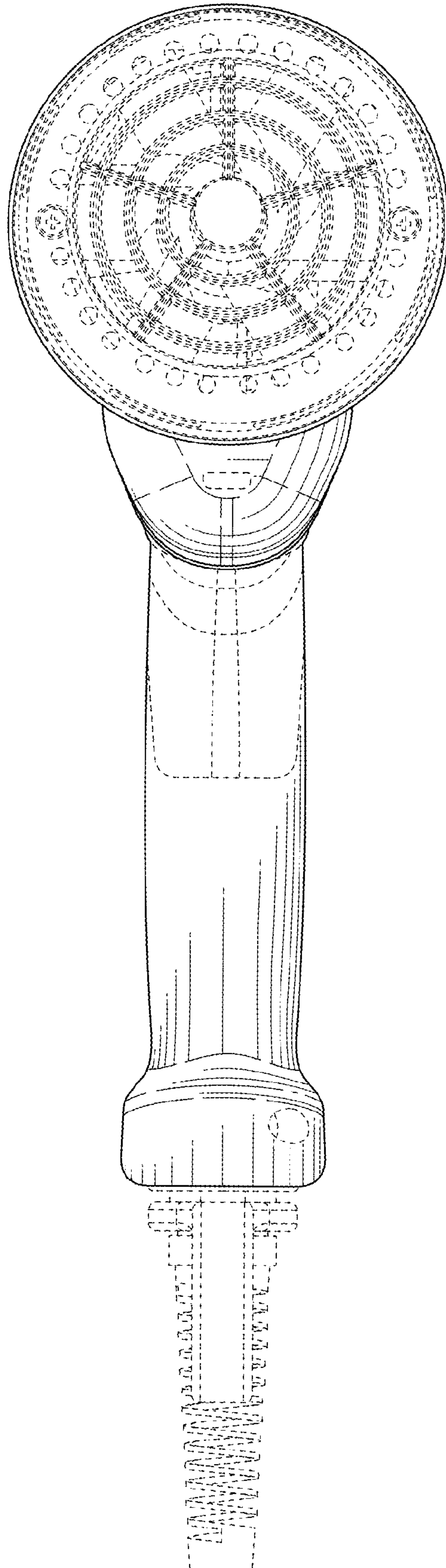


FIG. 3

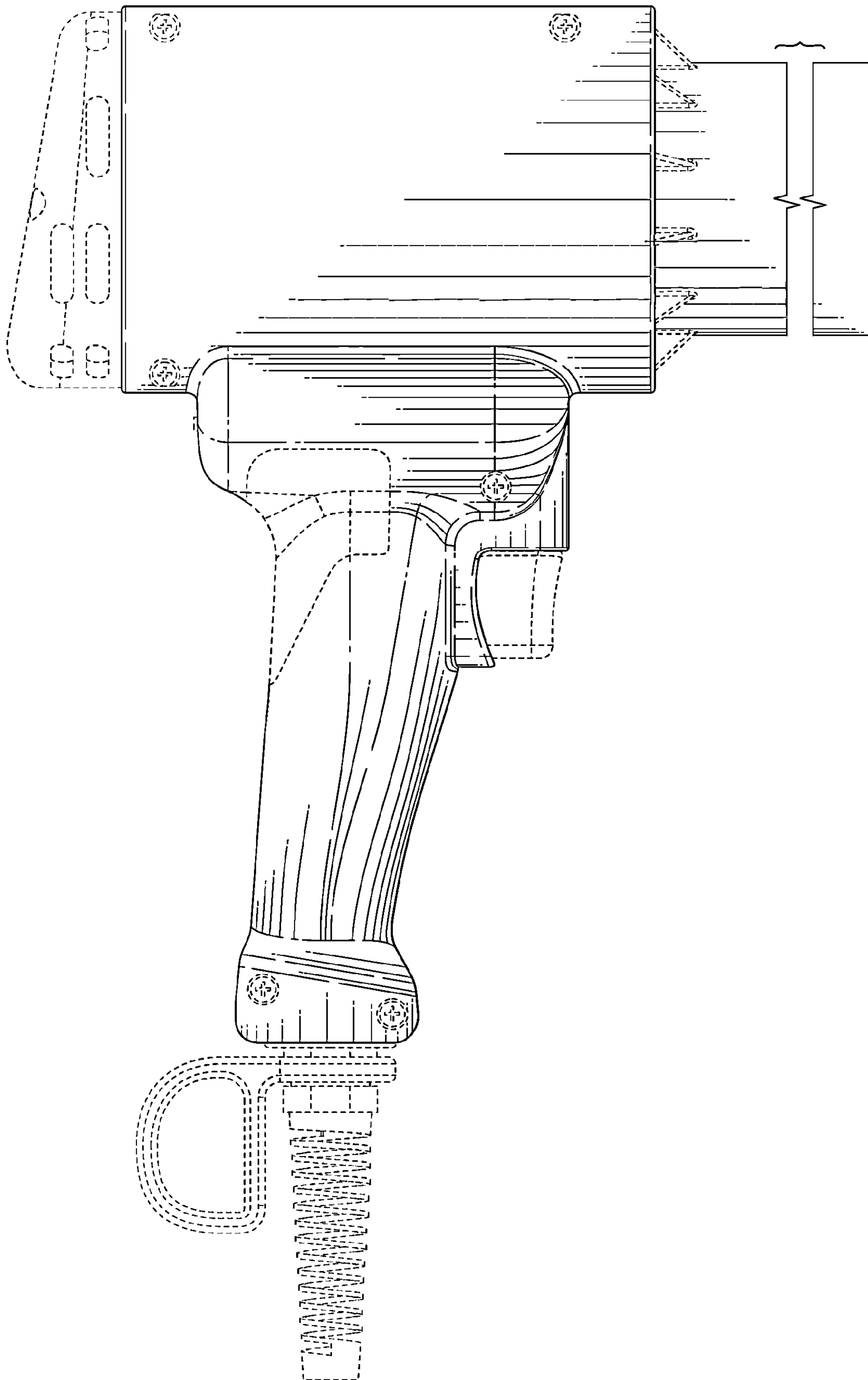


FIG. 4

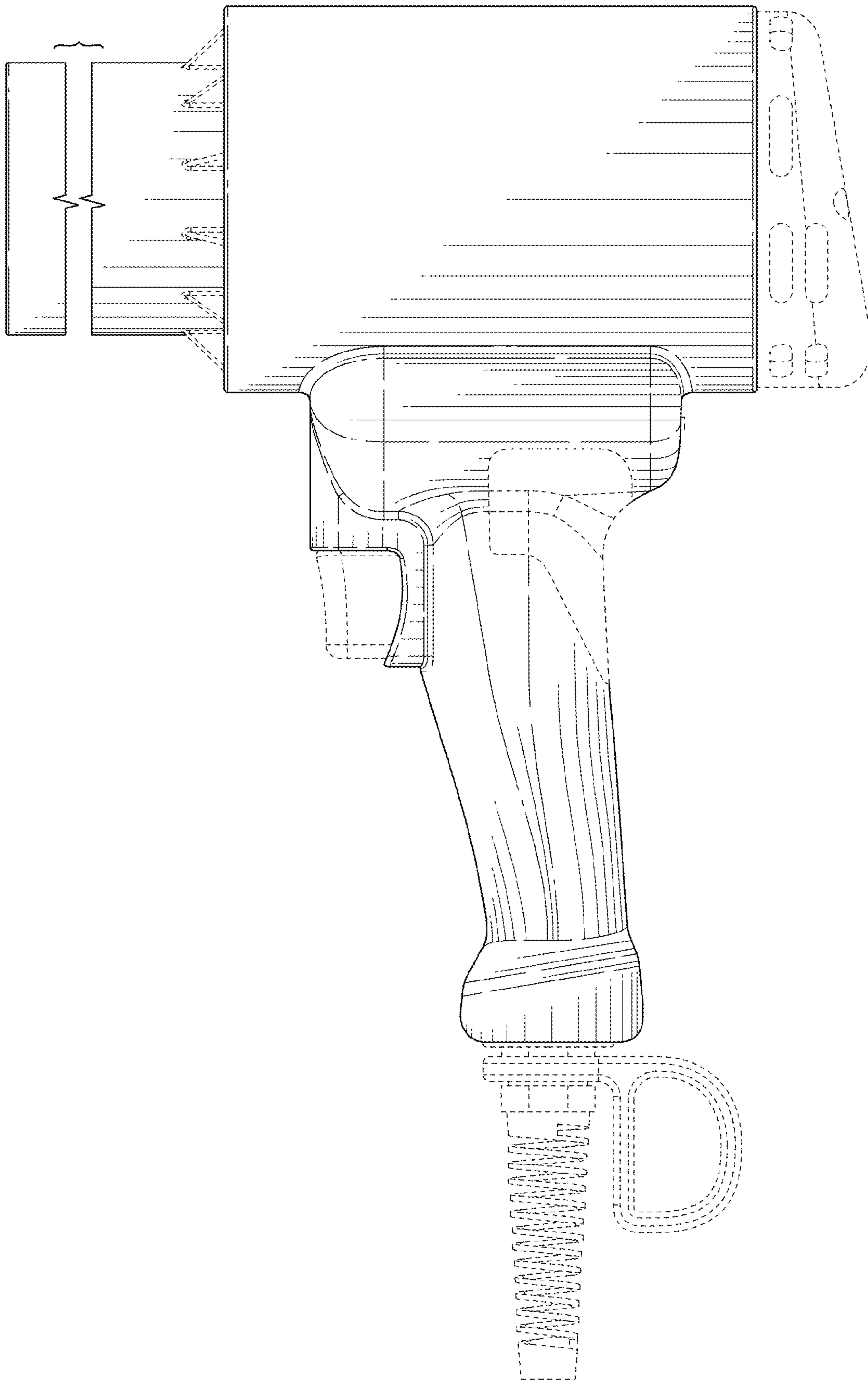


FIG. 5

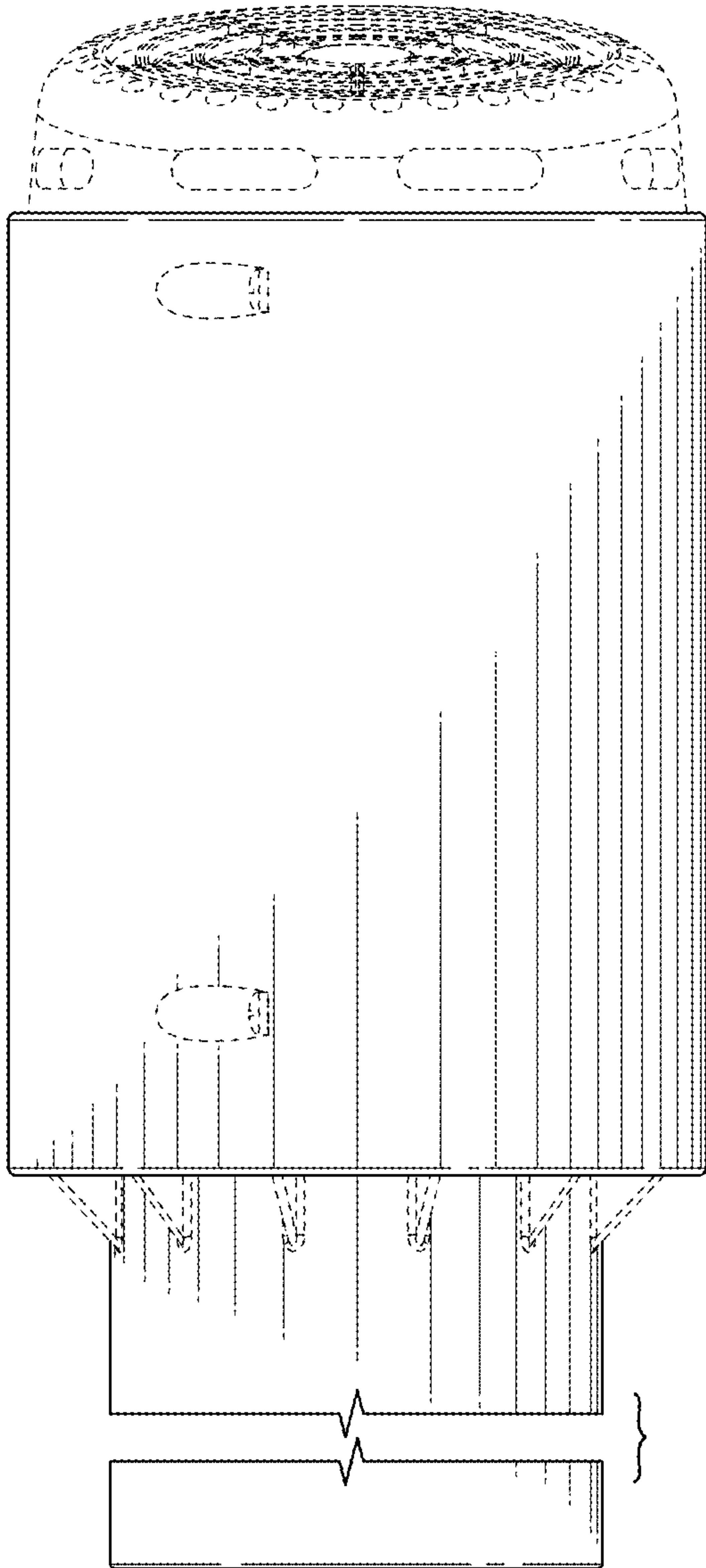


FIG. 6

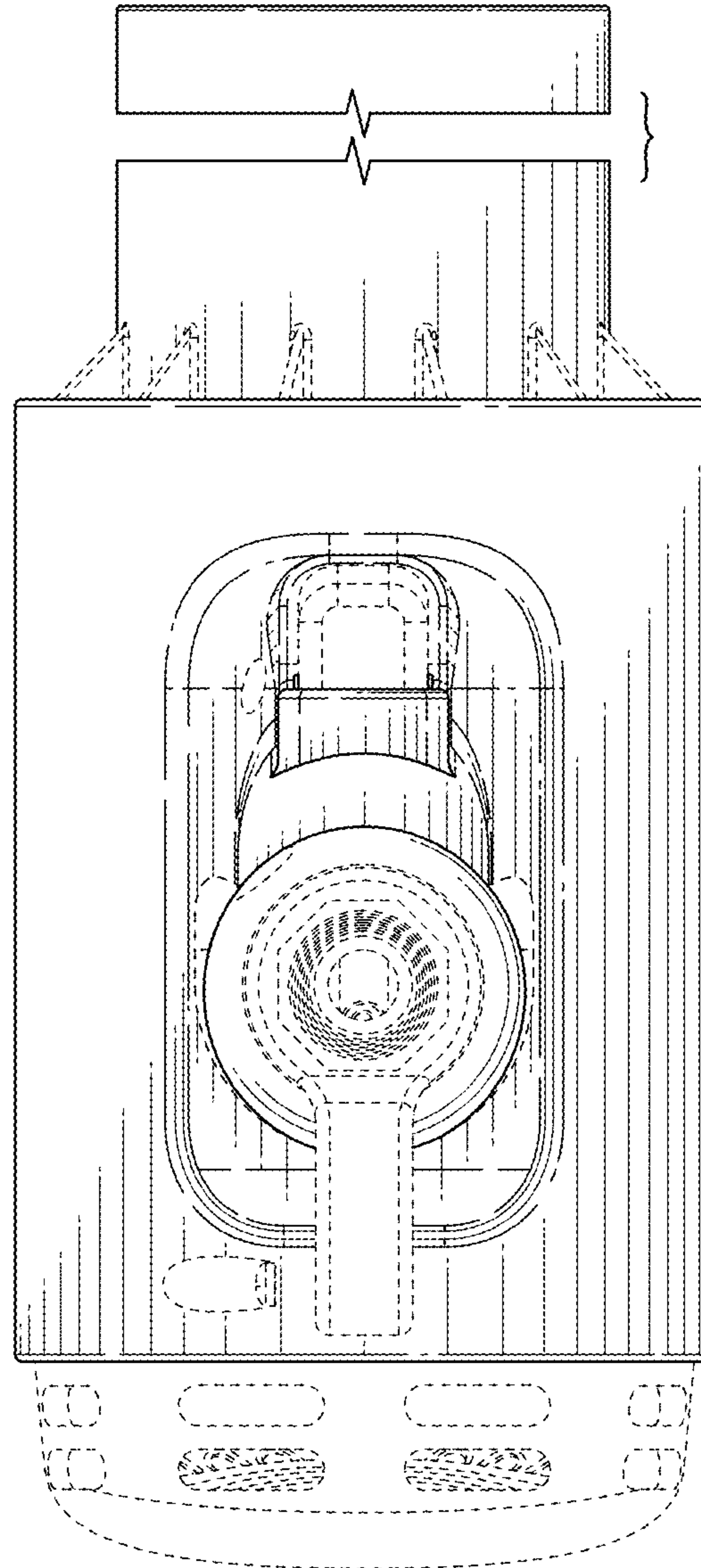


FIG. 7