



US00D975241S

(12) **United States Design Patent**
Guo et al.

(10) **Patent No.:** **US D975,241 S**
(45) **Date of Patent:** **** Jan. 10, 2023**

- (54) **SHOWER**
- (71) Applicant: **Xiamen Prime Shower Co., Ltd,**
Xiamen (CN)
- (72) Inventors: **Jing Guo,** Xiamen (CN); **Qin Yu,**
Xiamen (CN); **Haibo Hong,** Xiamen
(CN)
- (73) Assignee: **Xiamen Prime Shower Co., Ltd,**
Xiamen (CN)
- (**) Term: **15 Years**
- (21) Appl. No.: **29/835,577**
- (22) Filed: **Apr. 20, 2022**
- (30) **Foreign Application Priority Data**
Jan. 24, 2022 (CN) 202230046830.3
- (51) **LOC (14) Cl.** **23-01**
- (52) **U.S. Cl.**
USPC **D23/223**
- (58) **Field of Classification Search**
USPC D23/213, 223, 224, 225, 226, 228, 229
CPC B05B 1/16; B05B 1/1618; B05B 1/18; B05B
9/01; B05B 12/002
See application file for complete search history.

- D931,411 S * 9/2021 Yan D23/213
- D935,557 S * 11/2021 Yan D23/213
- D935,559 S * 11/2021 He D23/226
- D956,176 S * 6/2022 Yan D23/213
- D960,317 S * 8/2022 Jia D23/223
- D963,794 S * 9/2022 Hong D23/223
- D965,742 S * 10/2022 Yan D23/223
- D965,743 S * 10/2022 Yan D23/223

(Continued)

OTHER PUBLICATIONS

High Pressure Handheld Shower Head, Apr. 25, 2022, Amazon, site visited Nov. 2, 2022: <https://www.amazon.com/dp/B09YR9Y79J/> (Year: 2022).*

(Continued)

Primary Examiner — Jack Reickel
Assistant Examiner — Bobby W Jones, II

(57) **CLAIM**

The ornamental design for a shower, as shown and described.

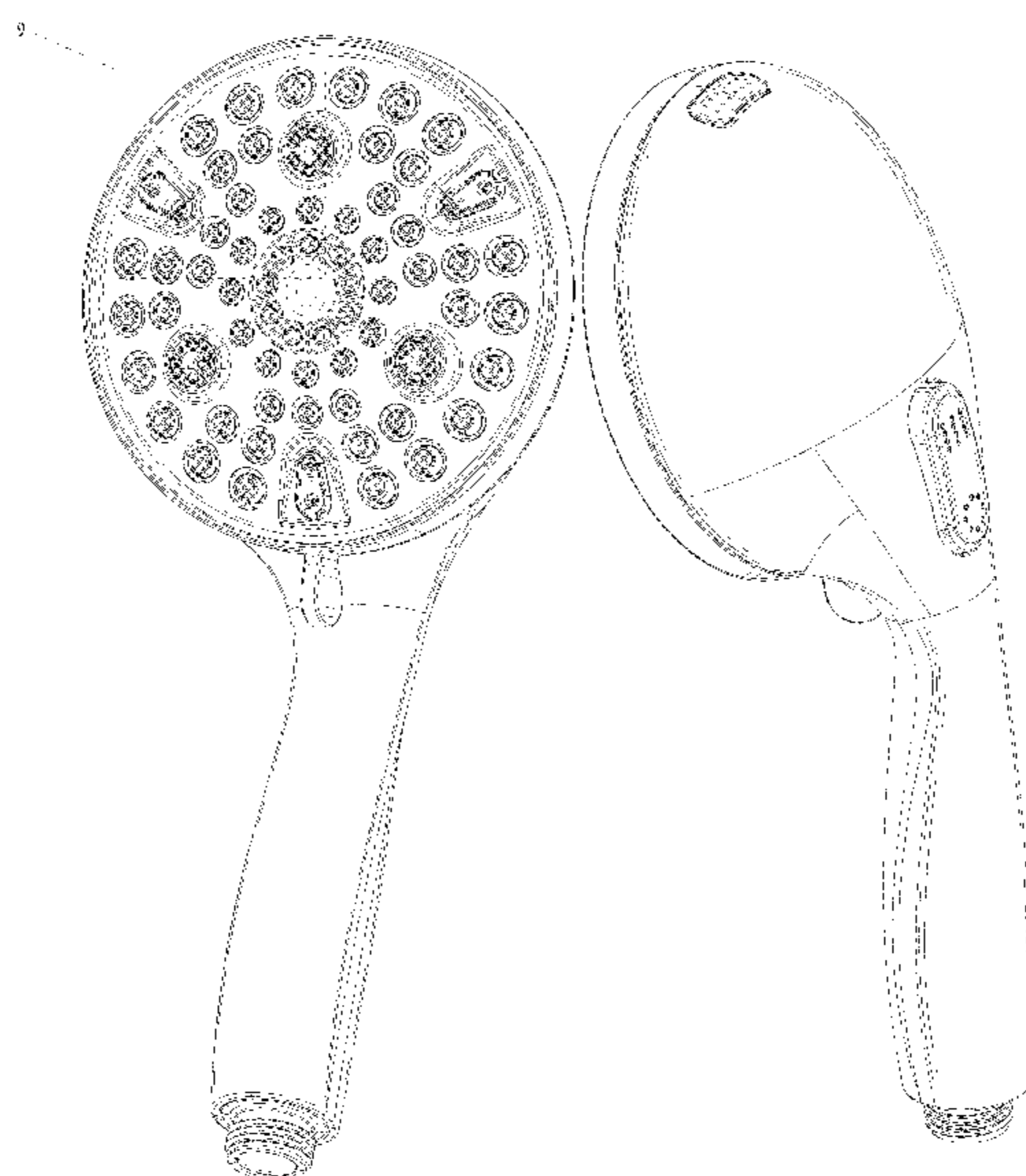
DESCRIPTION

FIG. 1 is a front, bottom, right perspective view of a shower showing our new design;
FIG. 2 is a back, left, top perspective view thereof;
FIG. 3 is a front view thereof;
FIG. 4 is a back view thereof;
FIG. 5 is a left view thereof;
FIG. 6 is a right view thereof;
FIG. 7 is an enlarged top view thereof;
FIG. 8 is an enlarged bottom view thereof;
FIG. 9 is an enlarged view of the encircled area 9 of FIG. 1; and,
FIG. 10 is an enlarged view of the encircled area 10 of FIG. 3.
The broken lines shown on the drawings depict portions of the shower that form no part of the claimed design.

1 Claim, 9 Drawing Sheets

(56) **References Cited**
U.S. PATENT DOCUMENTS

- D452,725 S 1/2002 Lindholm et al.
- D503,774 S 4/2005 Zieger
- 7,100,845 B1 * 9/2006 Hsieh B05B 1/1627
239/582.1
- D534,239 S * 12/2006 Dingier D23/223
- D562,942 S 2/2008 Pan
- D655,381 S * 3/2012 Flowers D23/223
- D659,796 S * 5/2012 Farley D23/223
- D674,047 S * 1/2013 Yoo D23/223
- D889,602 S * 7/2020 Wu D23/223



(56)

References Cited

U.S. PATENT DOCUMENTS

2014/0110502 A1* 4/2014 Yu B05B 3/0427
239/240
2017/0165686 A1* 6/2017 Lin E03C 1/0408
2019/0039079 A1* 2/2019 Lin B05B 12/04
2019/0299224 A1* 10/2019 Wu B05B 1/16
2019/0301147 A1* 10/2019 Wu A47K 5/12
2020/0206753 A1* 7/2020 Wu B05B 1/02
2020/0222918 A1* 7/2020 Grigor B05B 1/18
2021/0040715 A1* 2/2021 Lin E03C 1/06
2021/0316322 A1* 10/2021 Chang A61H 33/6089
2022/0143630 A1* 5/2022 Hong B05B 1/185
2022/0184643 A1* 6/2022 Zhadanov B05B 1/1636
2022/0280955 A1* 9/2022 Lin B05B 1/185

OTHER PUBLICATIONS

Sufuhom Shower Head, Jul. 29, 2021, Amazon, site visited Nov. 2, 2022: <https://www.amazon.com/dp/B0922HQLMW/> (Year: 2021).*

AquaCare Handheld Shower Head, Feb. 16, 2021, Amazon, site visited Nov. 2, 2022: <https://www.amazon.com/dp/B08WRKCWHB/> (Year: 2021).*

* cited by examiner

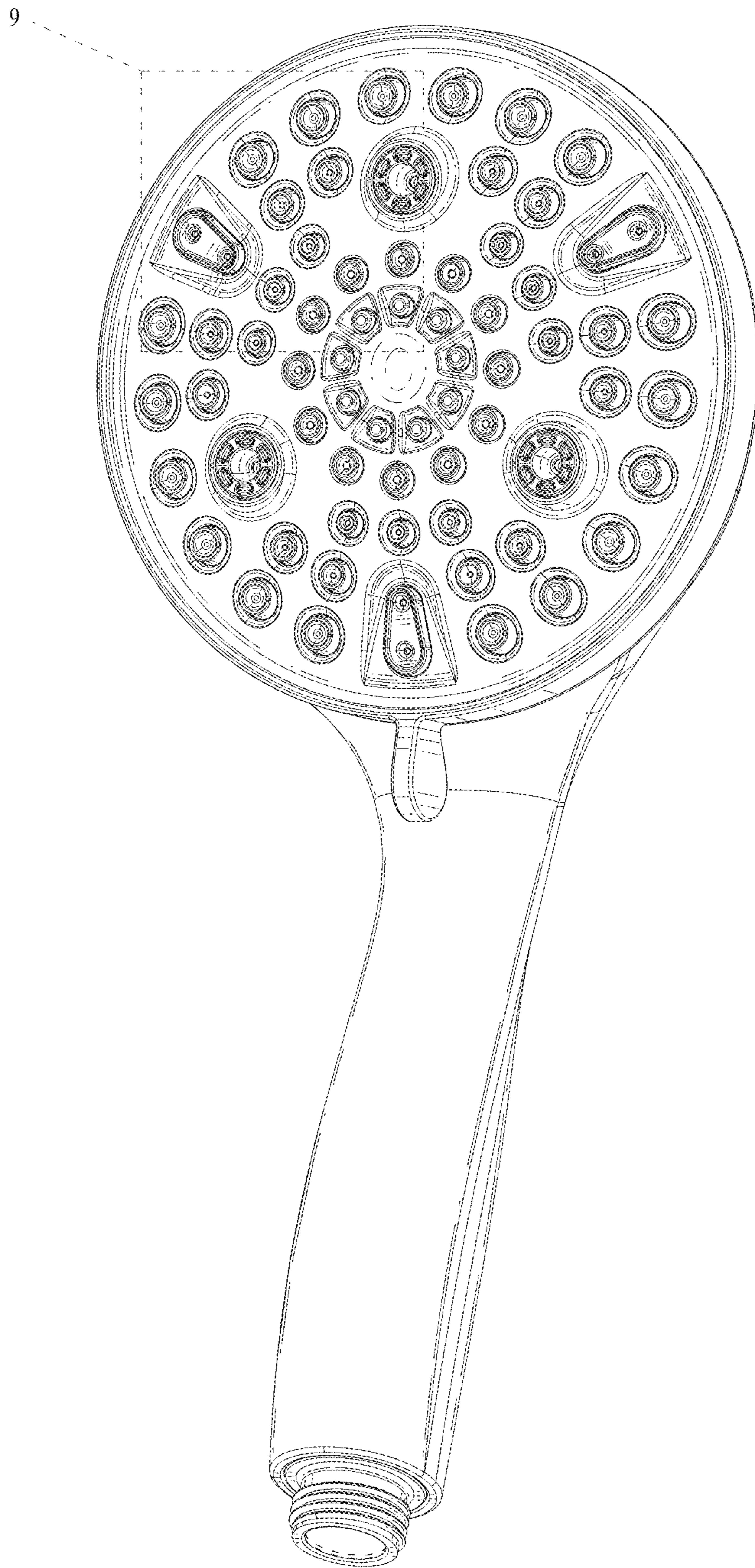


FIG. 1

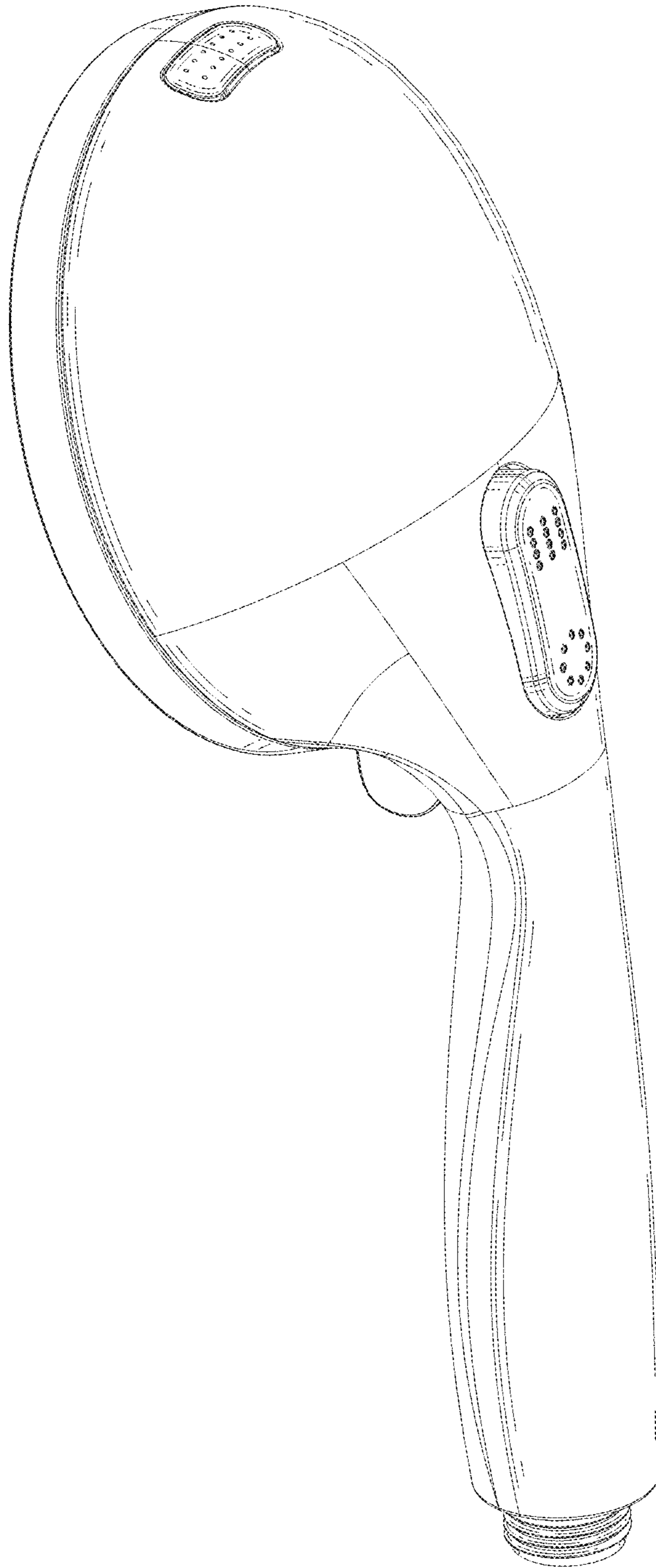


FIG. 2

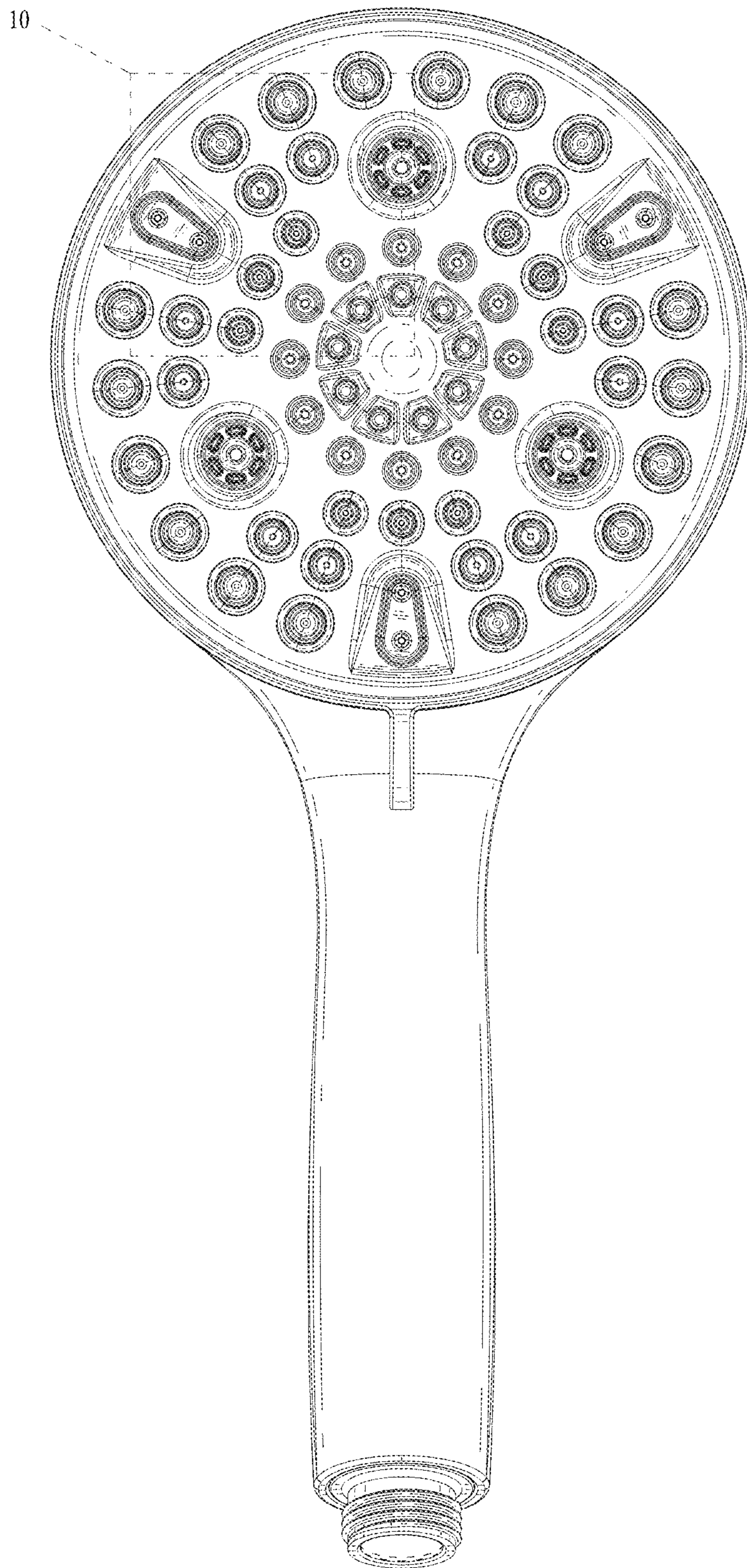


FIG. 3

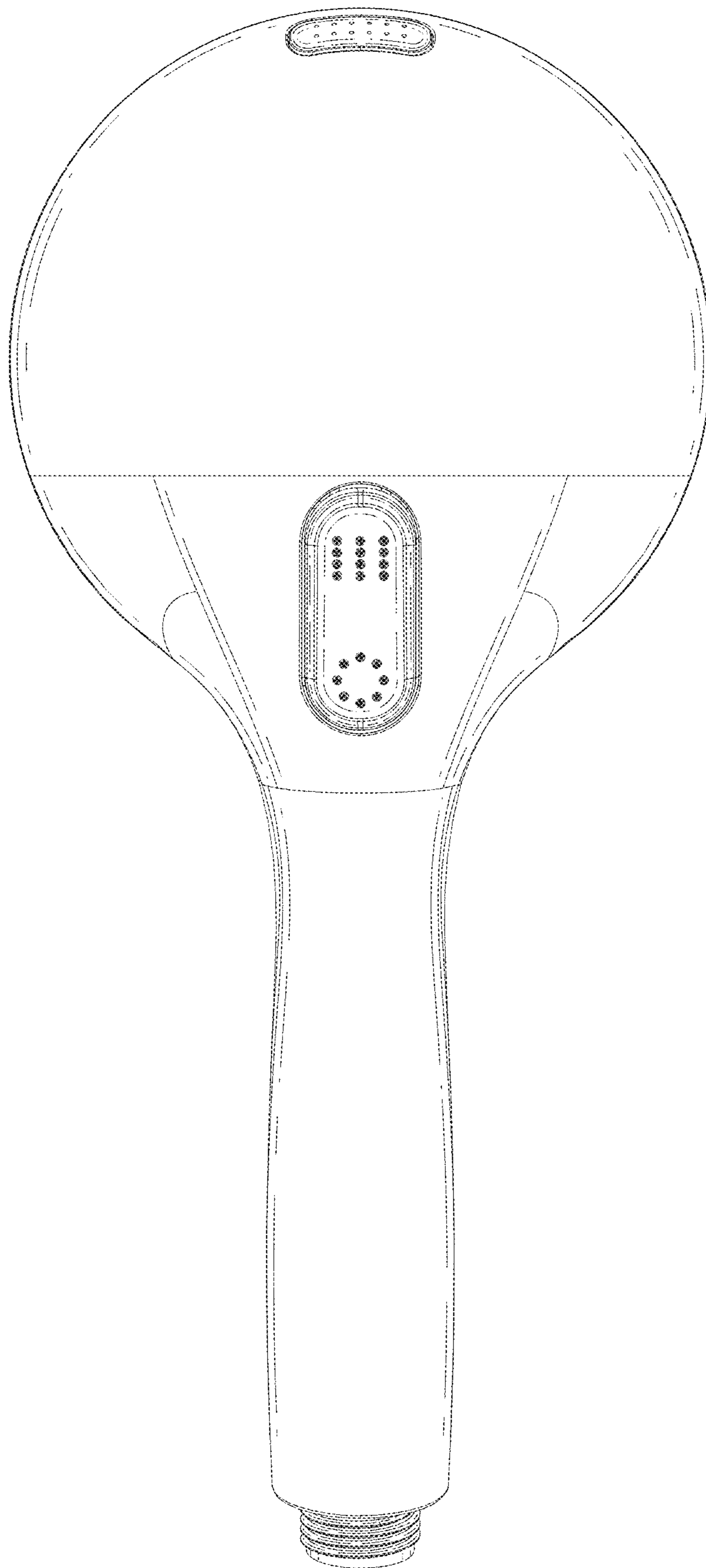


FIG. 4

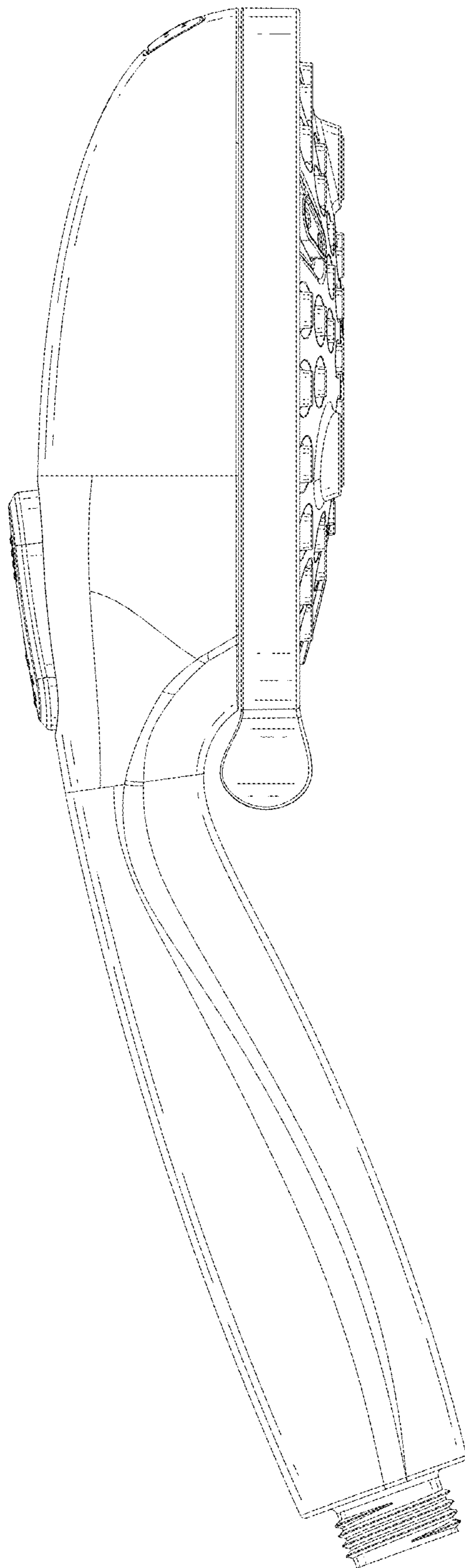


FIG. 5

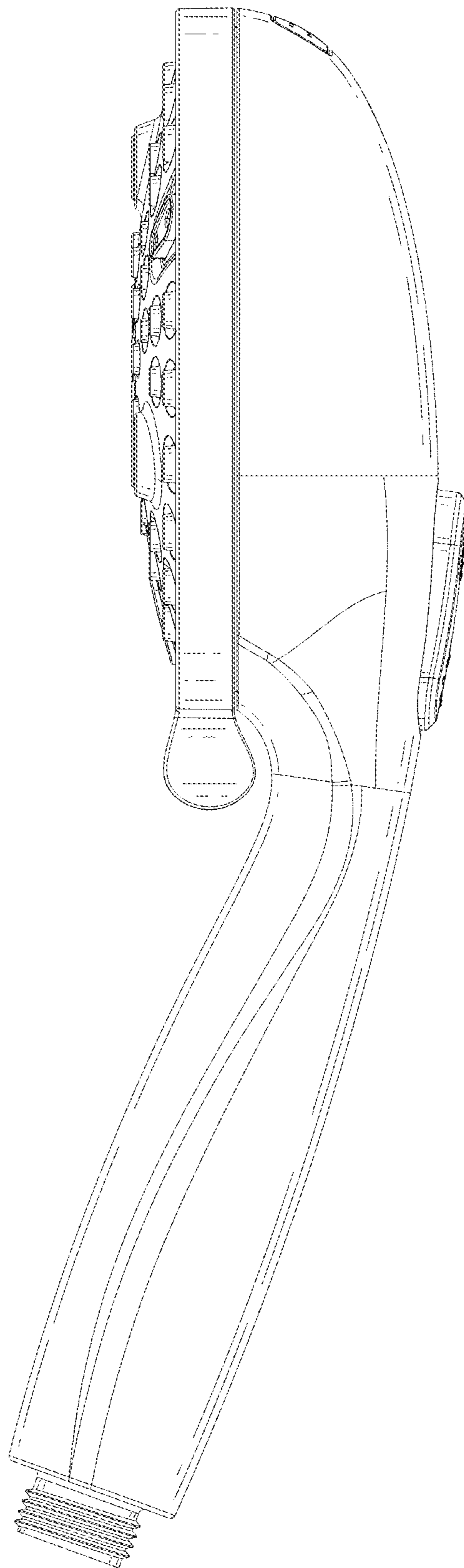


FIG. 6

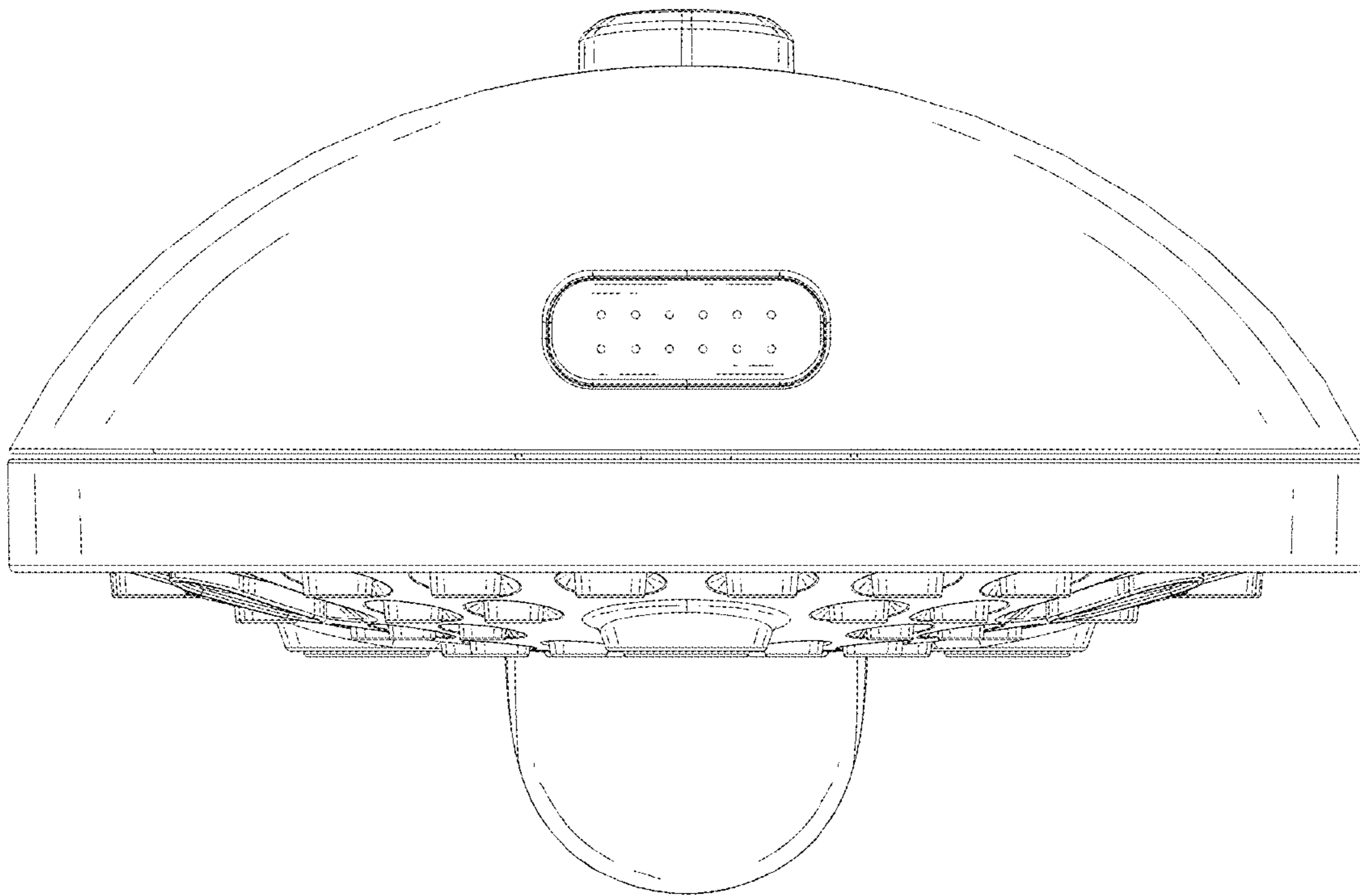


FIG. 7

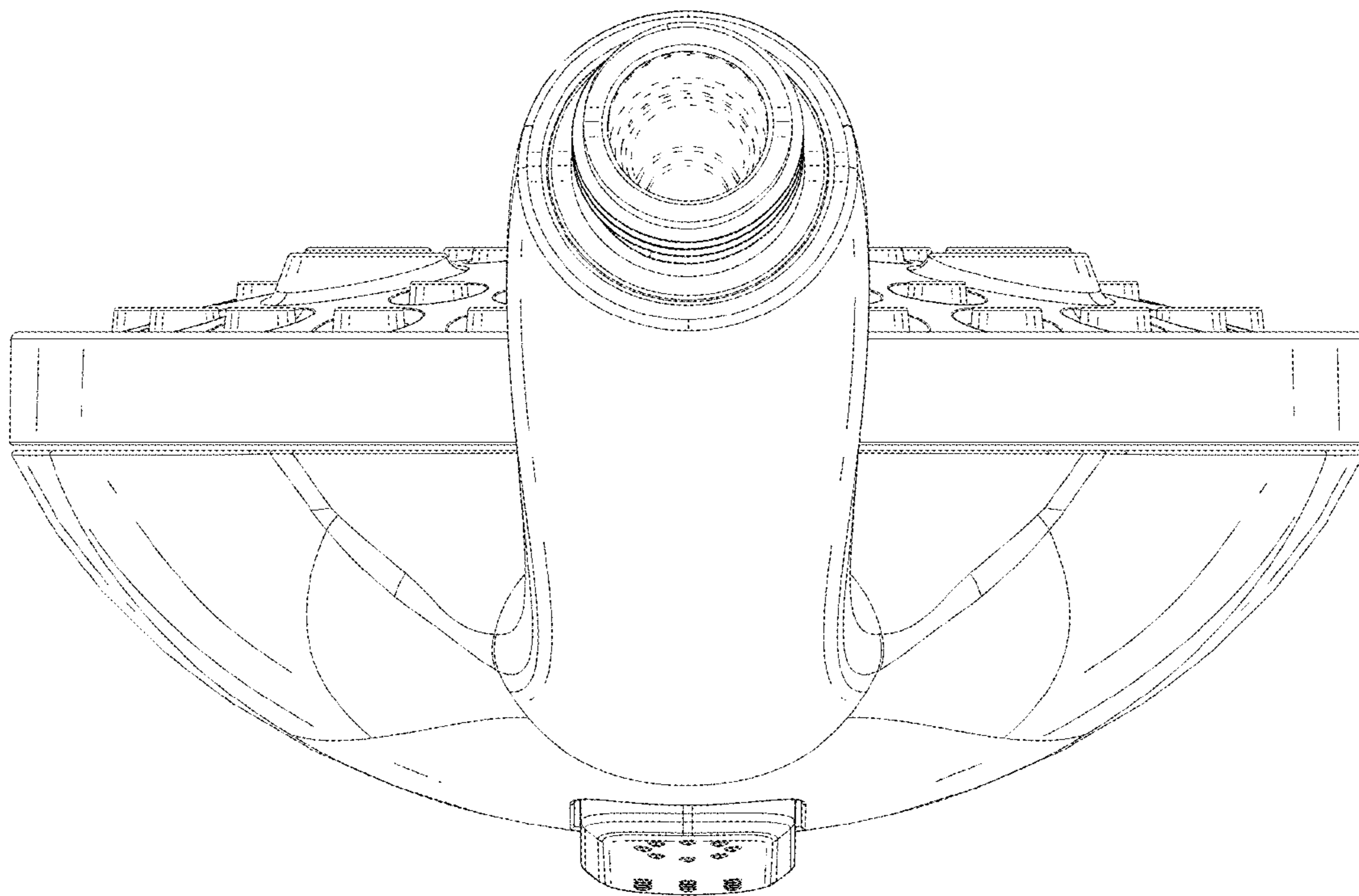


FIG. 8

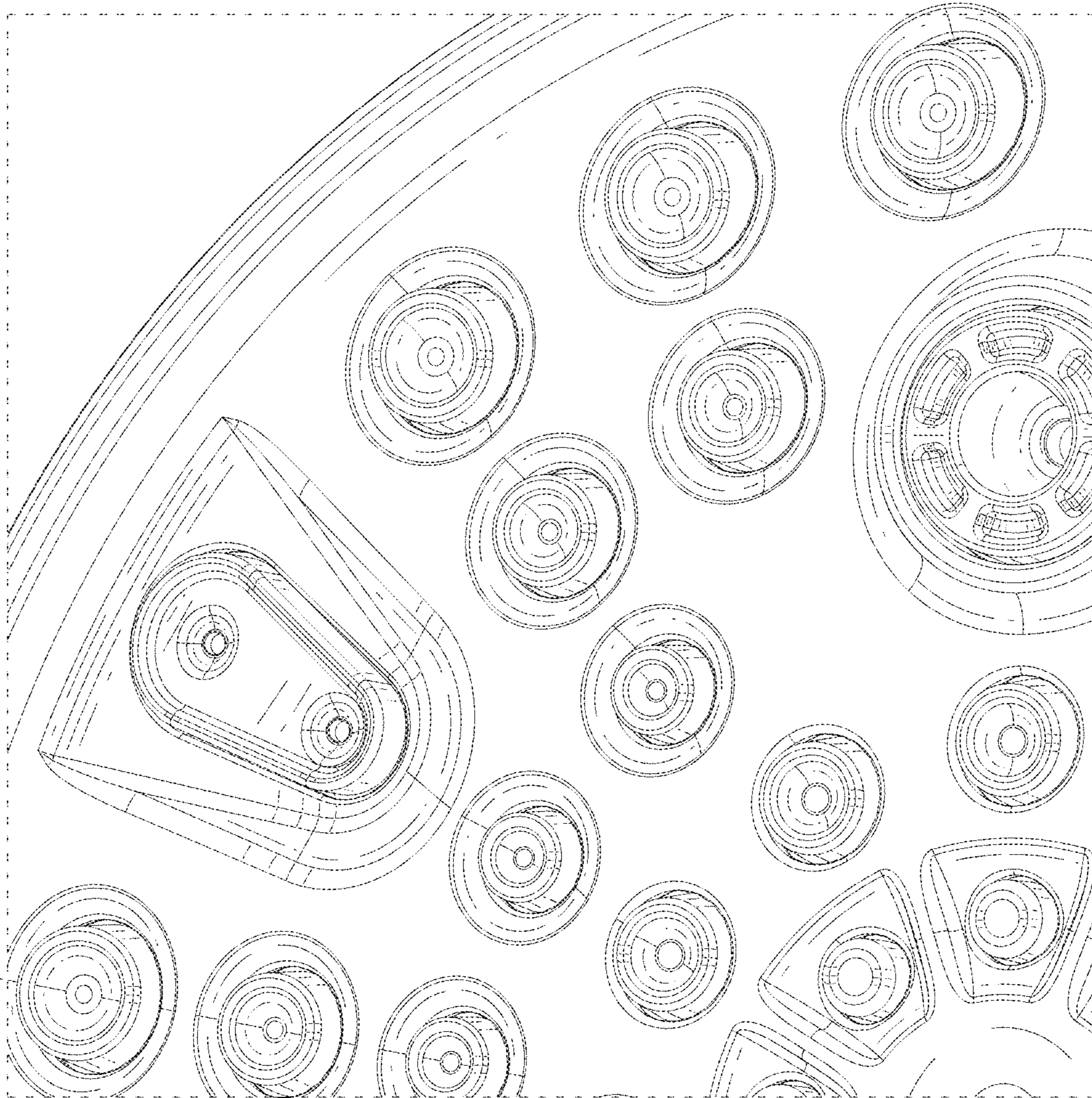


FIG. 9

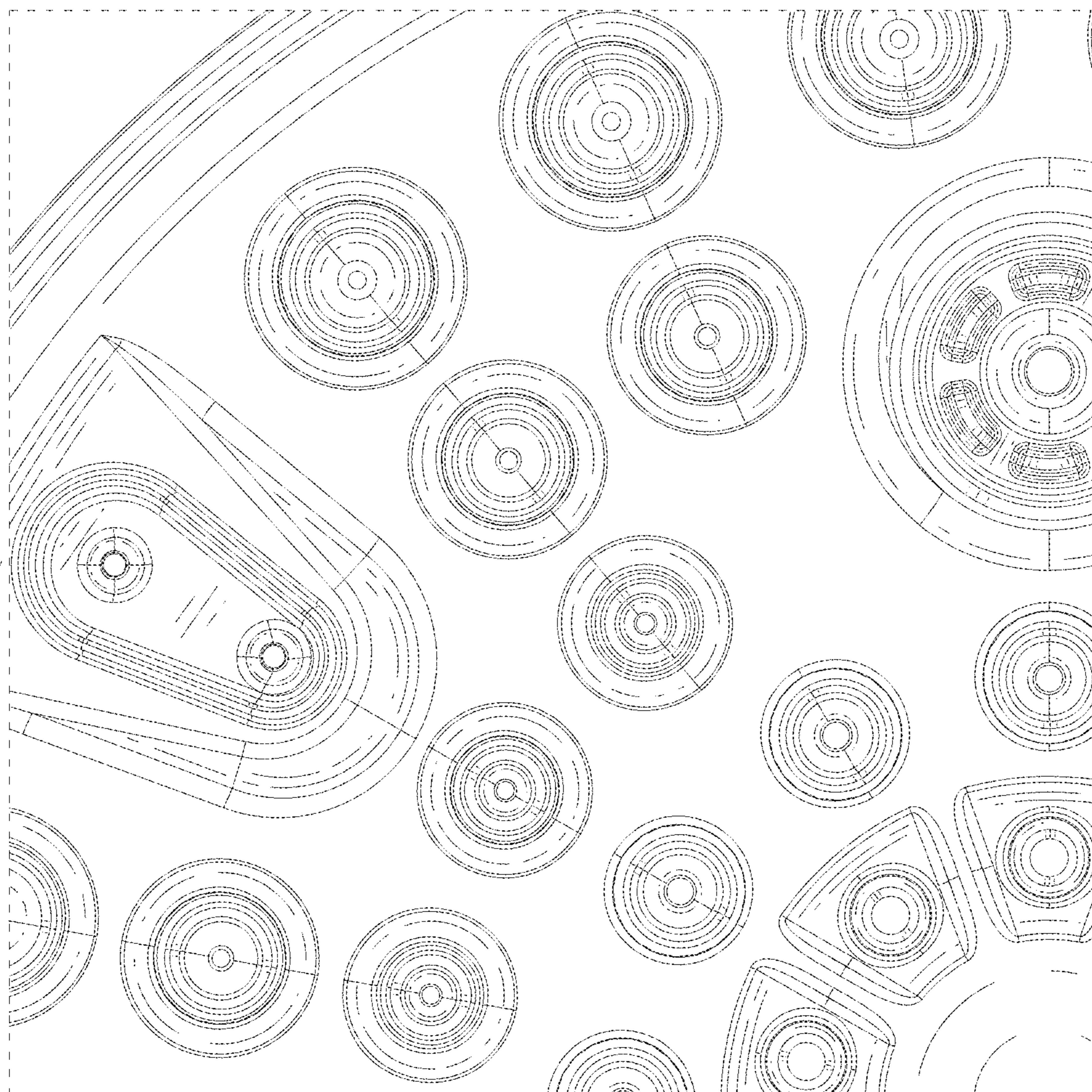


FIG. 10