



US00D975240S

(12) **United States Design Patent**
Zhu et al.

(10) **Patent No.:** **US D975,240 S**
(45) **Date of Patent:** **** Jan. 10, 2023**

(54) **HANDHELD SHOWER**

D930,790 S * 9/2021 Yan D23/223
D956,924 S * 7/2022 Pixton D23/213
D960,317 S * 8/2022 Jia D23/223

(71) Applicant: **Xiamen Rainshower Co. Ltd.**, Xiamen (CN)

(72) Inventors: **Binghuo Zhu**, Xiamen (CN); **Weifeng Zeng**, Xiamen (CN); **Ruiqiang Zhang**, Xiamen (CN)

(**) Term: **15 Years**

(21) Appl. No.: **29/797,935**

(22) Filed: **Jul. 4, 2021**

(30) **Foreign Application Priority Data**

May 14, 2021 (CN) 202130288093.3

(51) **LOC (14) Cl.** **23-01**

(52) **U.S. Cl.**
USPC **D23/223**

(58) **Field of Classification Search**
USPC D23/213, 214, 215, 221-222, 223, 224, D23/226, 229, 230

CPC A61H 9/0021; A61H 33/00; B05B 1/00; B05B 1/14; B05B 1/185; B05B 1/08; B05B 1/02; B05B 1/26; B05B 12/002; B05B 1/18; B05B 9/01

See application file for complete search history.

(56) **References Cited**

U.S. PATENT DOCUMENTS

D578,604 S * 10/2008 Wu D23/223
9,764,339 B2 * 9/2017 Yu B05B 1/18
D810,861 S * 2/2018 Weaver D23/228
D890,298 S * 7/2020 Pixton D23/213
D892,268 S * 8/2020 Wang D23/213
D900,963 S * 11/2020 Wu D23/223
D901,632 S * 11/2020 Wu D23/223
D901,633 S * 11/2020 Wang D23/223
D908,836 S * 1/2021 Wu D23/213
D908,839 S * 1/2021 Wu D23/223

OTHER PUBLICATIONS

AquaDance High Pressure 6-Setting 3.5" Chrome Face Handheld Shower, Jun. 30, 2016. Amazon.com, May 5, 2021. URL: <https://www.amazon.com/AquaDance-Experience-Officially-Independently-Performance/dp/B01H2DG1SW> (Year: 2016).
Waterpik 6-Mode RainFall+ Rain Shower Head with PowerPulse, Jun. 16, 2017, amazon.ca, Oct. 25, 2022, URL: https://www.amazon.ca/dp/B0915GJH3X/ref=sbl_dpx_ca-home-improvement-bathroom-fixed-showerheads_B00KCWWWIY_0 (Year: 2017).
Moen CL26500EP, Chrome, Aug. 20, 2021, amazon.ca, Oct. 25, 2022, URL: https://www.amazon.ca/dp/B01M34LDDDB/ref=sbl_dpx_ca-home-improvement-bathroom-fixed-showerheads_B06WP512ZK_0?th=1 (Year: 2021).*

* cited by examiner

Primary Examiner — Keith J Wilson

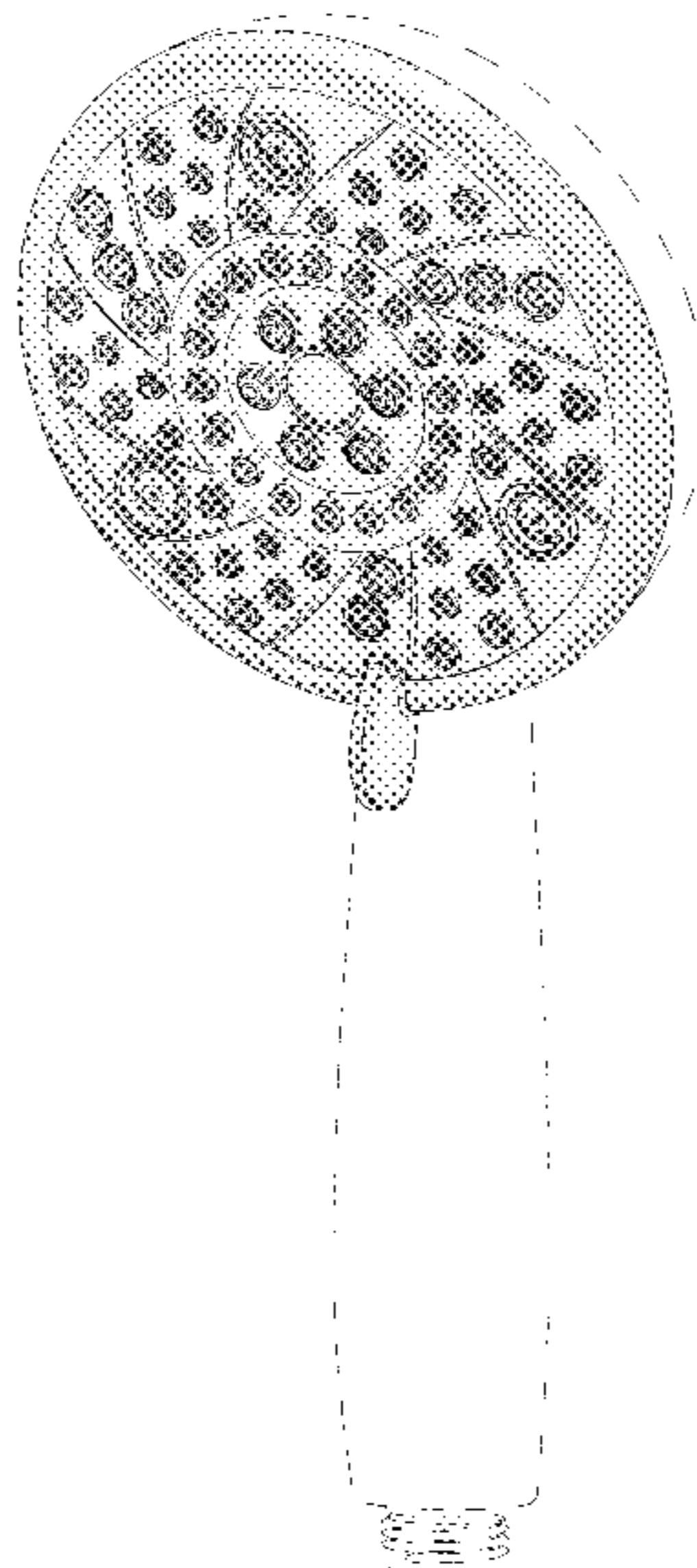
(57) **CLAIM**

The ornamental design for a handheld shower, as shown and described.

DESCRIPTION

FIG. 1 is a perspective view of a handheld shower, showing a new design;
FIG. 2 is a front elevational view thereof;
FIG. 3 is a rear elevational view thereof;
FIG. 4 is a left elevational view thereof;
FIG. 5 is a right elevational view thereof;
FIG. 6 is a top plan view thereof; and,
FIG. 7 is a bottom plan view thereof.
The broken lines shown in the figures are included for the purpose of illustrating portions of the handheld shower and form no part of the claimed design.

1 Claim, 7 Drawing Sheets



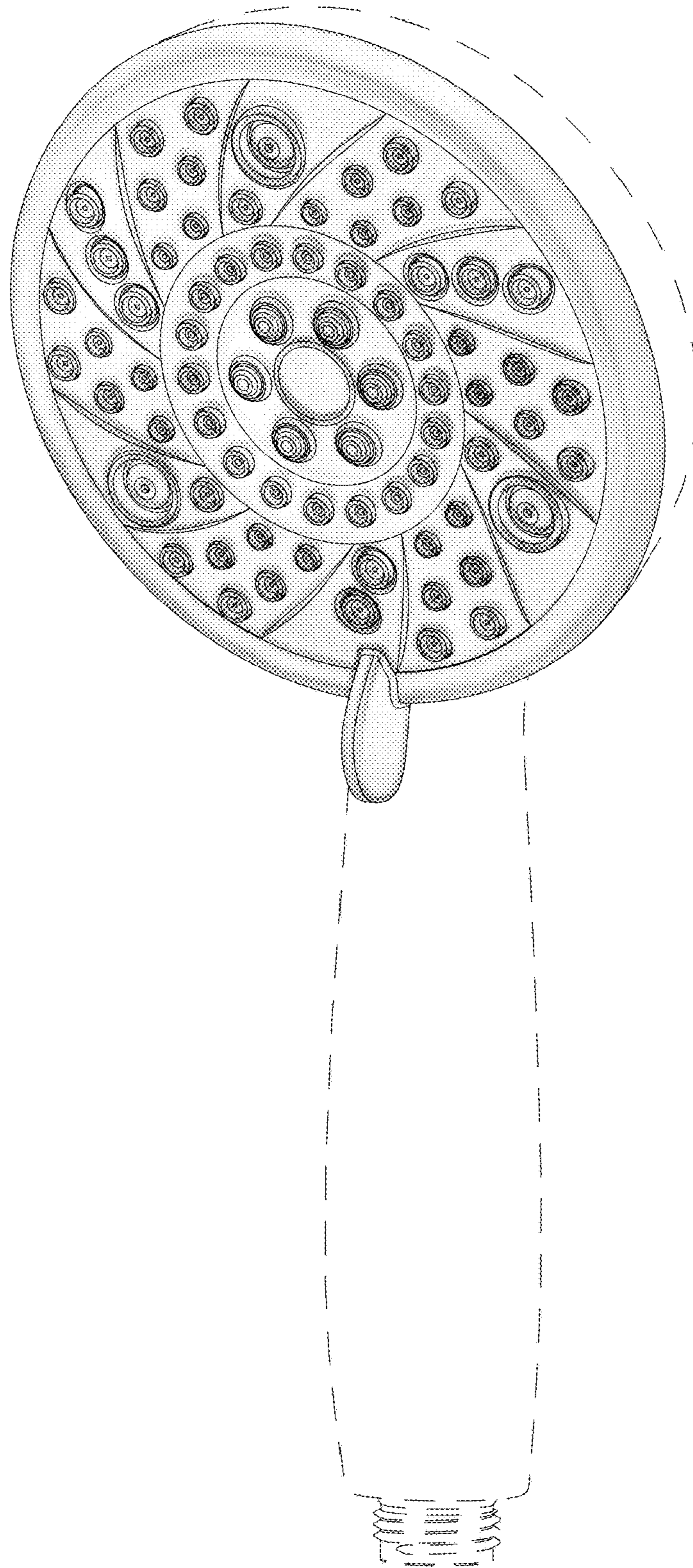


FIG. 1

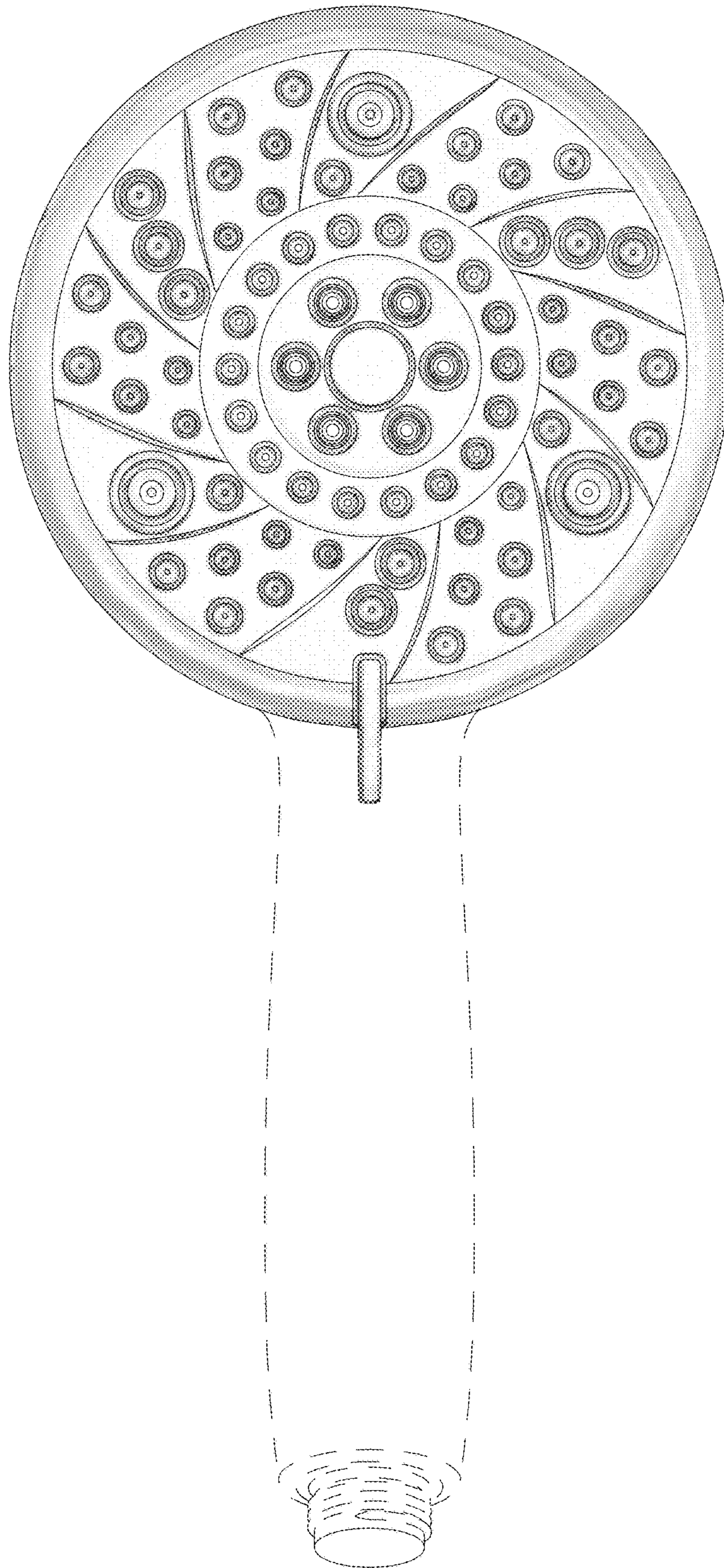


FIG.2

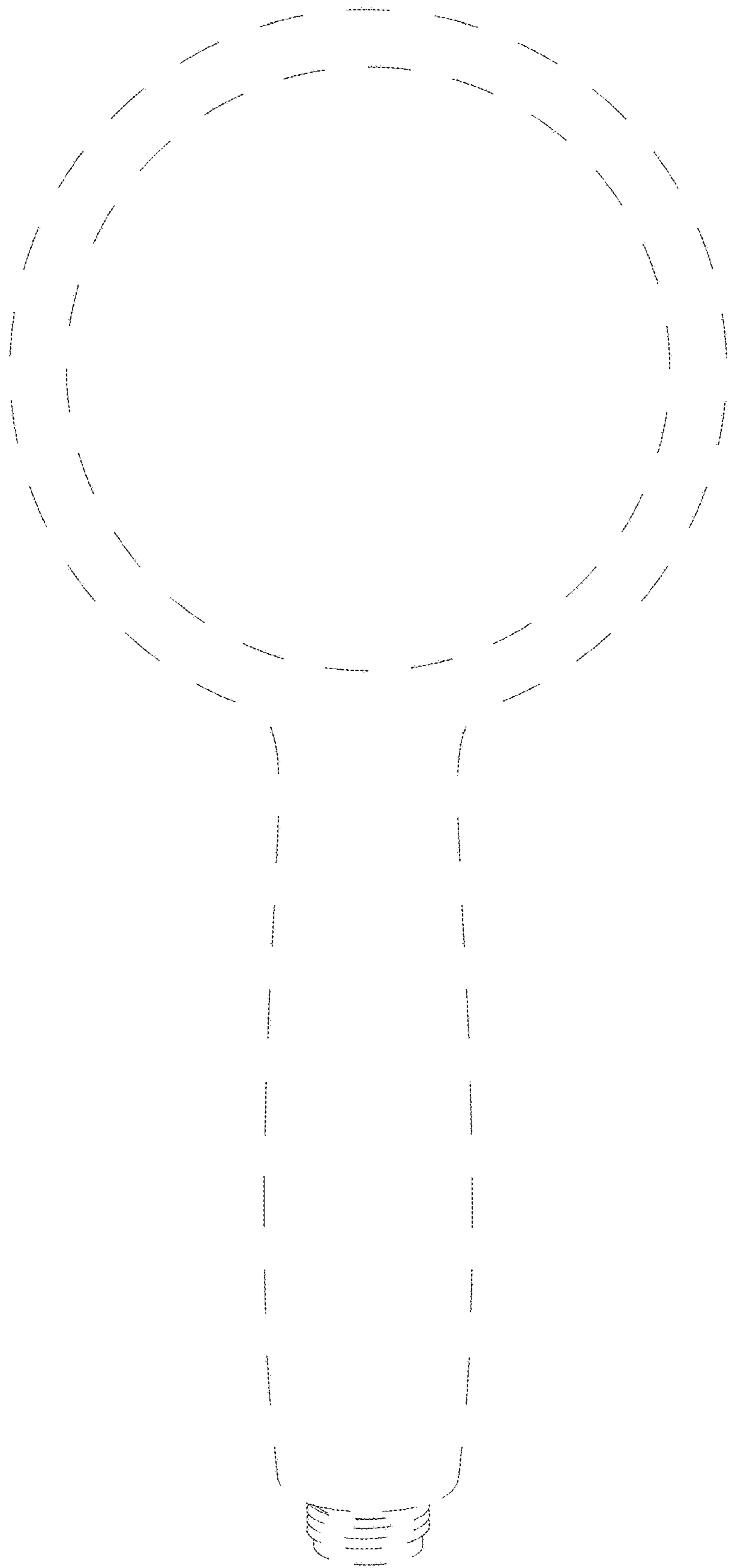


FIG.3

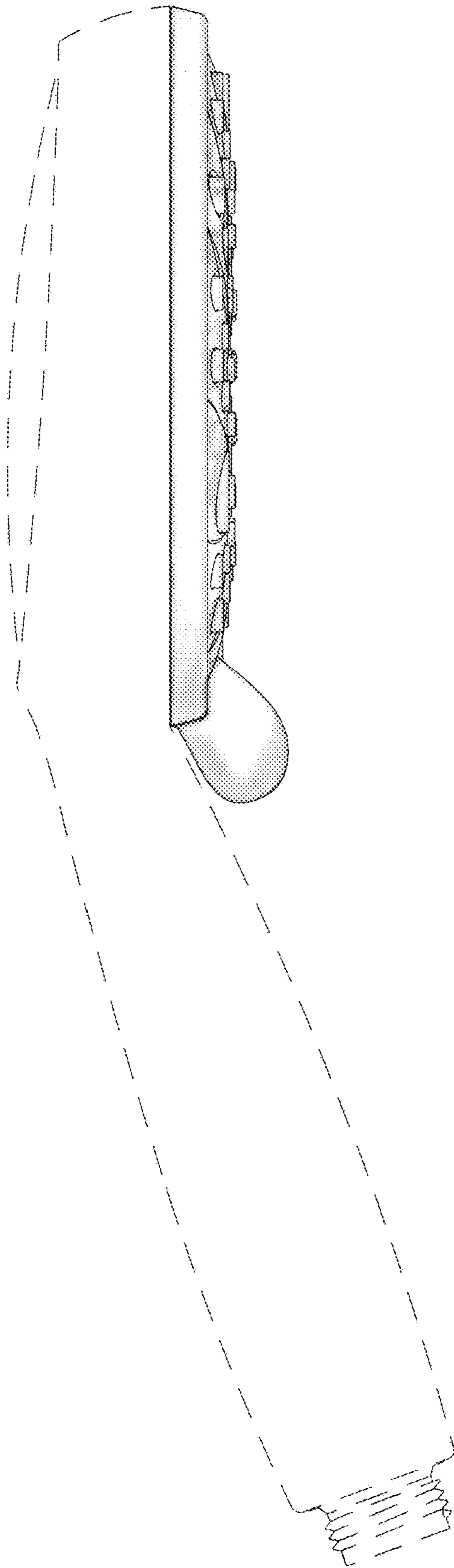


FIG.4

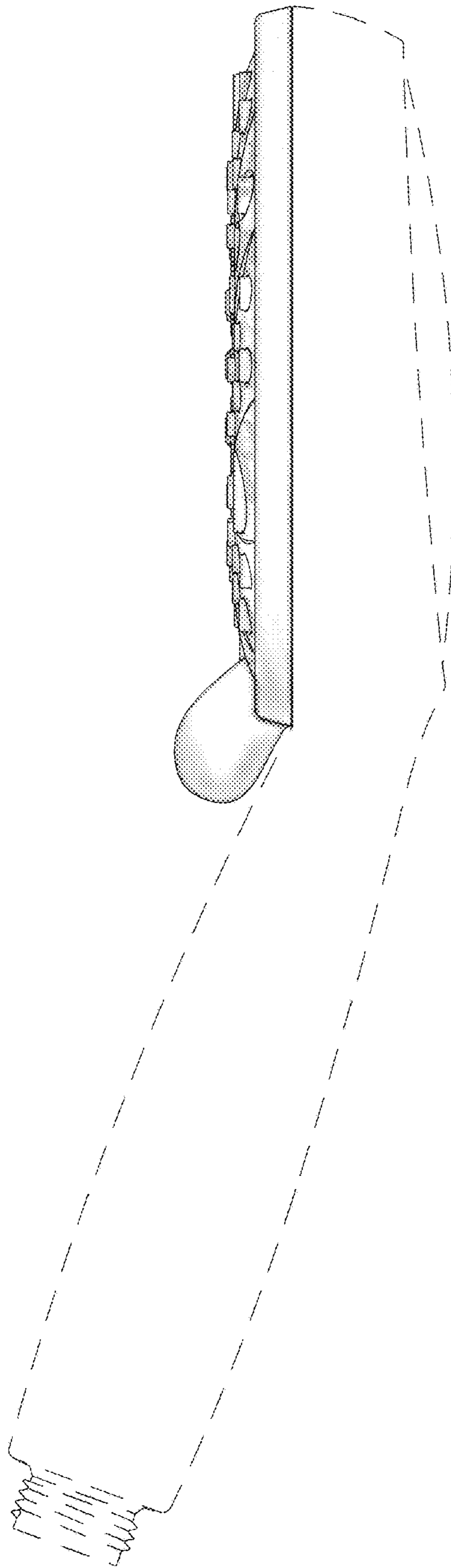


FIG.5

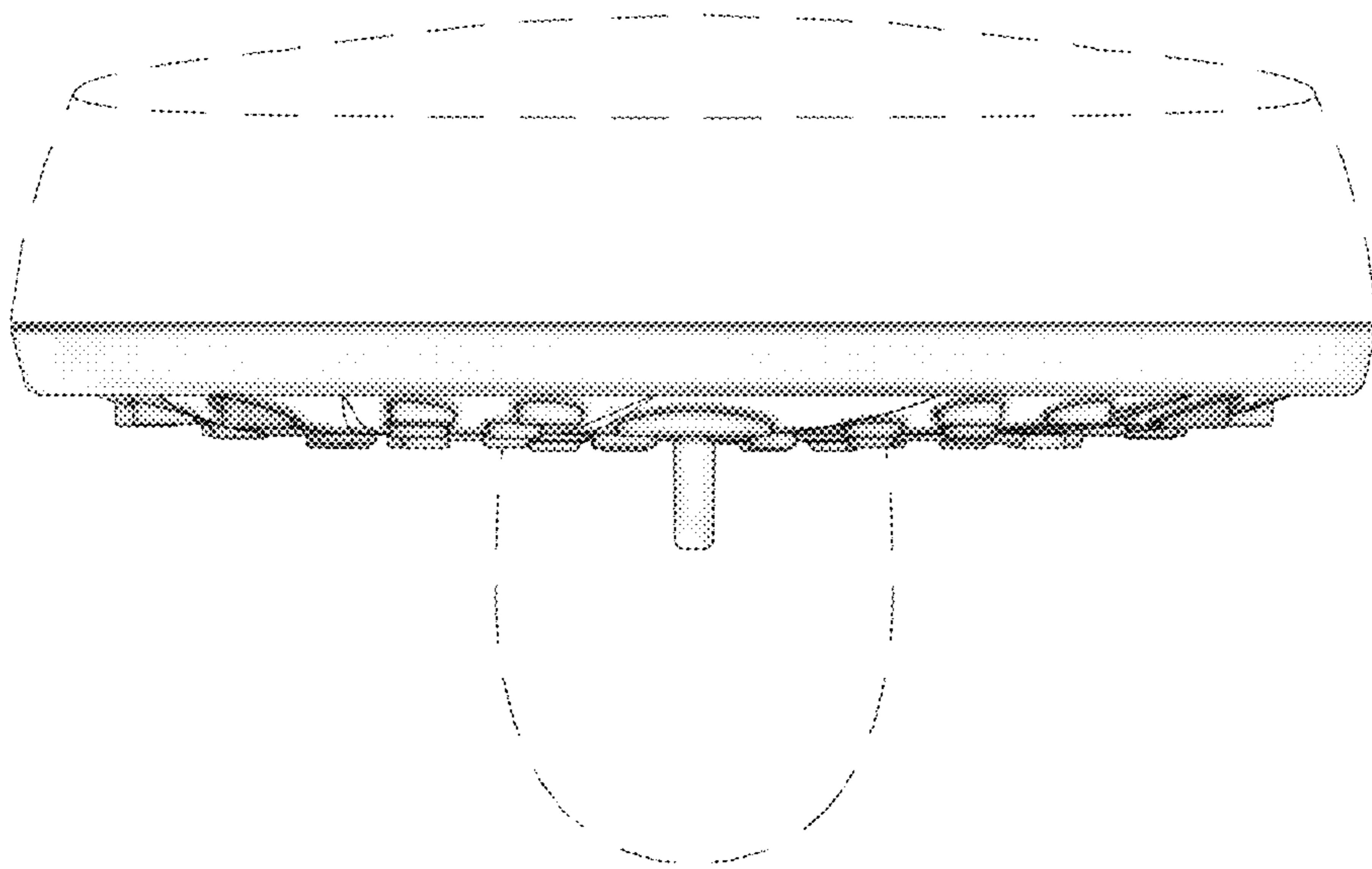


FIG. 6

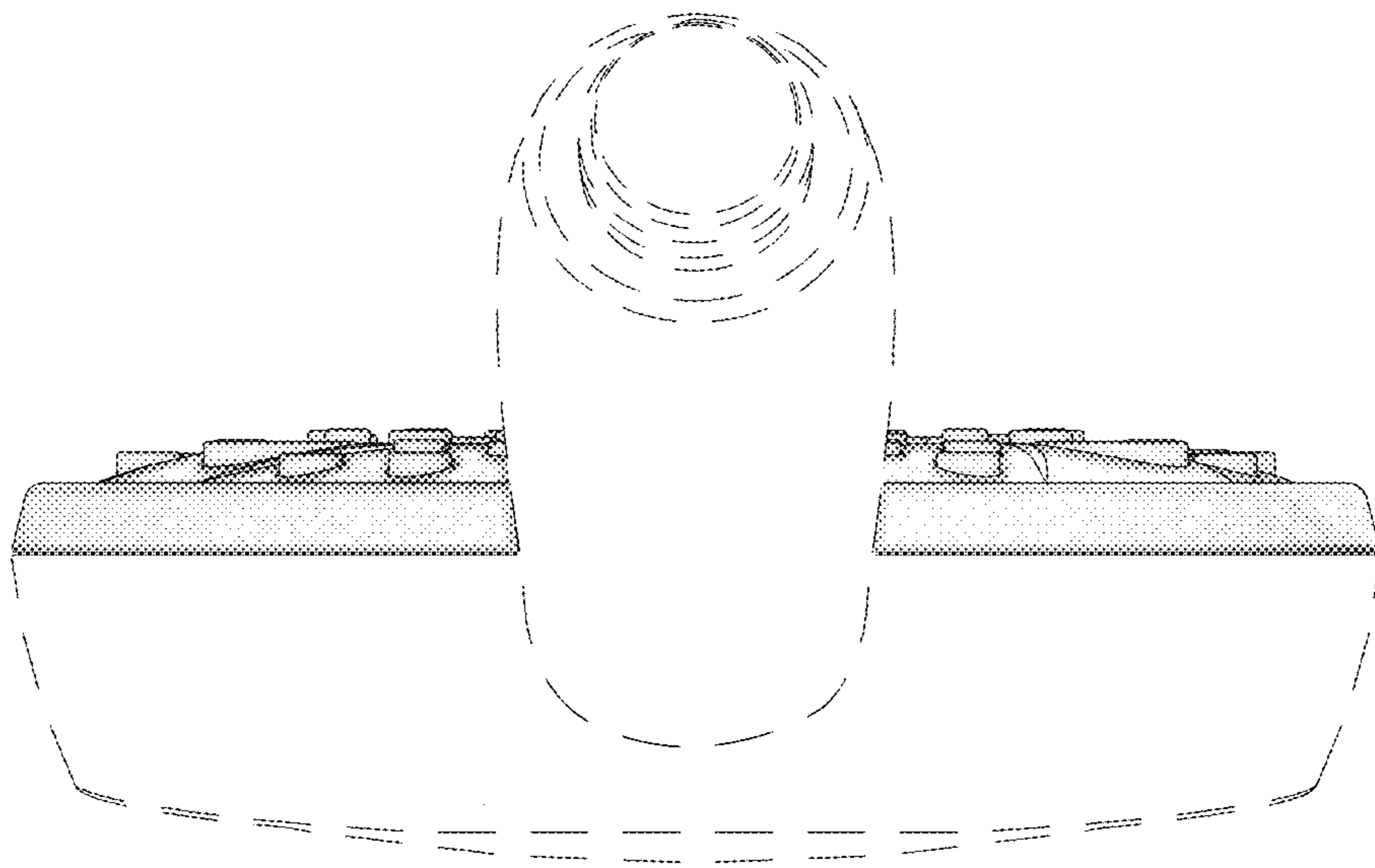


FIG.7