



US00D975239S

(12) **United States Design Patent** (10) **Patent No.:** **US D975,239 S**
Harrison et al. (45) **Date of Patent:** **** Jan. 10, 2023**

(54) **SHOWERHEAD**

FOREIGN PATENT DOCUMENTS

(71) Applicant: **Kohler Co.**, Kohler, WI (US)

CN 101945708 A 1/2011
CN 104822462 A 8/2015

(72) Inventors: **Matthew T. Harrison**, Sheboygan, WI (US); **Margaret C. Mazz**, Sheboygan, WI (US); **Paul B. Georgeson**, Milwaukee, WI (US)

(Continued)

(73) Assignee: **KOHLER CO.**, Kohler, WI (US)

OTHER PUBLICATIONS

European Examination Report on EP App. Ser. No. 19192979.3 dated Jan. 3, 2022 (5 pages).

(**) Term: **15 Years**

(Continued)

(21) Appl. No.: **29/711,352**

Primary Examiner — Keith J Wilson

(22) Filed: **Oct. 30, 2019**

(74) *Attorney, Agent, or Firm* — Foley & Lardner LLP

(51) **LOC (14) Cl.** **23-01**

(57) **CLAIM**

We claim the ornamental design for a showerhead, as shown and described.

(52) **U.S. Cl.**

USPC **D23/213**

DESCRIPTION

(58) **Field of Classification Search**

USPC D23/213, 214, 215, 221–222, 223, 224, D23/226, 229, 230

CPC A61H 9/0021; A61H 33/00; B05B 1/00; B05B 1/14; B05B 1/185; B05B 1/08; B05B 1/02; B05B 1/26; B05B 12/002; B05B 1/18; B05B 9/01

See application file for complete search history.

FIG. 1 is a perspective view of the claimed design; FIG. 2 is another perspective view of the embodiment of FIG. 1; FIG. 3 is a front view of the embodiment of FIG. 1; FIG. 4 is a rear view of the embodiment of FIG. 1; FIG. 5 is a side view of the embodiment of FIG. 1; FIG. 6 is another side view of the embodiment of FIG. 1; FIG. 7 is a top view of the embodiment of FIG. 1; and, FIG. 8 is a bottom view of the embodiment of FIG. 1.

(56) **References Cited**

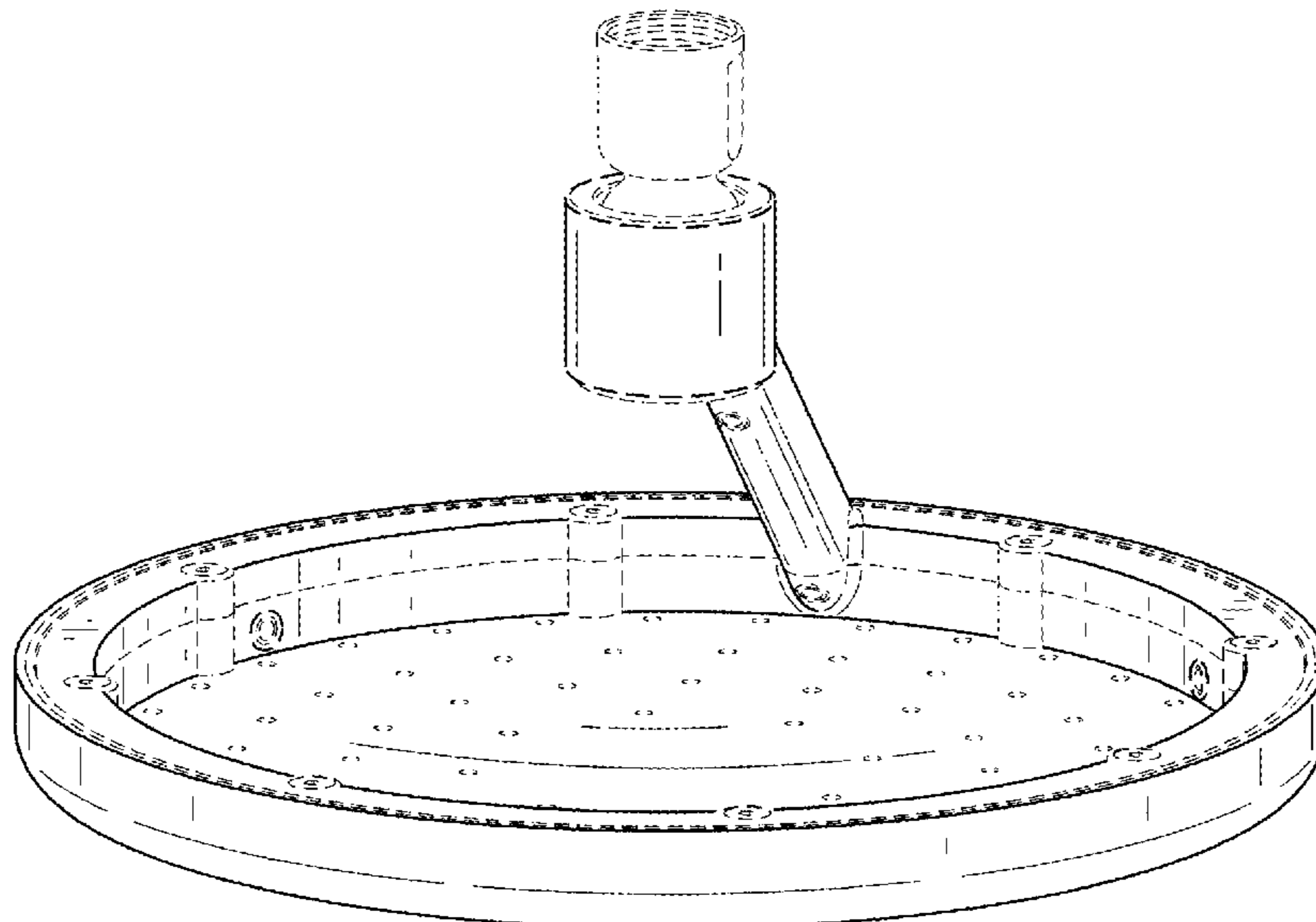
U.S. PATENT DOCUMENTS

1,745,297 A 1/1930 Harry
1,836,505 A 12/1931 Pritchard
2,874,001 A 2/1959 Ross
3,101,176 A 8/1963 Goss
3,465,968 A 9/1969 Halpern
4,072,397 A 2/1978 Ross
6,557,785 B1 5/2003 Knapp
D512,120 S 11/2005 Haug et al.
D532,076 S 11/2006 Mazzola
D540,424 S 4/2007 Kirar

The ornamental design which is claimed is shown in solid lines in the drawings. The broken lines in the drawings are for illustrative purposes only and form no part of the claimed design. Broken lines formed by equal length dashes show unclaimed subject matter. Broken lines formed by unequal length dashes (i.e., dash-dot) define bounds of the claimed design. Broken away symbols having a jagged element show that no particular length of the portion is claimed. The appearance of any portion of the article between the broken away symbols forms no part of the claimed design.

(Continued)

1 Claim, 8 Drawing Sheets



(56)

References Cited

U.S. PATENT DOCUMENTS

D556,855 S * 12/2007 Mullenmeister D23/213
 D581,013 S 11/2008 Citterio
 D590,913 S * 4/2009 Smith D23/213
 D613,370 S * 4/2010 Allard D23/213
 D616,061 S 5/2010 Whitaker et al.
 D639,385 S * 6/2011 Flowers D23/213
 8,333,331 B1 12/2012 Fuller et al.
 D681,781 S * 5/2013 Cutler D23/229
 D694,357 S * 11/2013 Brodey D23/213
 D707,328 S * 6/2014 Schoenherr D23/213
 D733,257 S * 6/2015 Schoenherr D23/213
 D736,348 S 8/2015 Tan
 D738,991 S * 9/2015 Brodey D23/213
 D751,176 S * 3/2016 Schoenherr D23/213
 D752,708 S * 3/2016 Chung D23/213
 D779,042 S * 2/2017 Hanna D23/229
 D790,039 S * 6/2017 Hawrylchak D23/213
 D793,526 S 8/2017 Behdjat
 D820,388 S * 6/2018 Seum D23/213
 D851,207 S * 6/2019 Cocks D23/213
 D867,521 S * 11/2019 Mahdjoubi Namin D23/213
 D888,195 S * 6/2020 Cocks D23/213
 D890,298 S * 7/2020 Pixton D23/213
 D901,630 S * 11/2020 Wu D23/213
 D907,743 S 1/2021 Wu
 D908,836 S * 1/2021 Wu D23/213
 D926,287 S 7/2021 Cocks et al.
 D926,924 S 8/2021 Cocks et al.
 D933,161 S 10/2021 Kuppert et al.
 D933,777 S 10/2021 Masalin et al.
 D934,990 S * 11/2021 Seum D23/213
 D943,060 S * 2/2022 Fan D23/213
 D944,919 S * 3/2022 Yu D23/213
 D950,013 S * 4/2022 Ravassa D23/213
 11,331,687 B2 * 5/2022 Yu F16K 11/00
 11,351,558 B2 * 6/2022 Wang B05B 15/652
 2004/0217209 A1 11/2004 Bui
 2006/0226255 A1 10/2006 Deboer et al.
 2011/0289675 A1 12/2011 Dunki-Jacobs et al.
 2017/0018919 A1 1/2017 Chen et al.
 2017/0189919 A1 7/2017 Mei
 2022/0062924 A1 * 3/2022 Ying B05B 1/08

2022/0105526 A1 * 4/2022 Hofman B05B 3/04
 2022/0113020 A1 * 4/2022 Wu F21S 9/046
 2022/0134360 A1 * 5/2022 Lin B05B 1/1636
 239/562

FOREIGN PATENT DOCUMENTS

DE 39 07 379 A1 5/1990
 DE 10 2012 018 878 A1 3/2014

OTHER PUBLICATIONS

Bright Showers, "High Pressure Round Rainfall Shower Head," Feb. 23, 2018, amazon.ca, retrieved Apr. 6, 2022, URL: https://www.amazon.ca/dp/B079J5KGNL/ref=sbl_dp_ca-home-improvement-bathroom-fixed-showerheads_BO85NGHNYW_0?th=1 (Year: 2018).
 ET Industries, "Luxury High Pressure Rain Shower Head Thunderhead," Jan. 20, 2019, amazon.ca, retrieved Apr. 6, 2022, URL: <https://www.amazon.ca/Luxury-High-Pressure-Shower-Thunderhead/dp/BO7MYPZGWJ/> (Year: 2019).
 NearMoon, "Rain Shower Head with 11" Adjustable Arm," NearMoon High Pressure Stainless Steel Rainfall Showerhead, May 20, 2019, amazon.ca, retrieved Apr. 6, 2022, URL: <https://www.amazon.ca/Adjustable-Showerhead-Ultra-Thin-Design-Best-Experience/dp/B07QLSZWNG6/> (Year: 2019).
 Chinese Office Action on CN Appl. Ser. No. 201910776346.3 dated Nov. 2, 2020 (13 pages).
 Chinese Second Office Action on CN Appl. Ser. No. 201910776346.3 dated May 31, 2021 (10 pages).
 Examination Report on IN Appl. Ser. No. 201914033677 dated Oct. 14, 2020 (6 pages).
 Extended European Search Report on EP Appl. Ser. No. 19192979.3 dated Jan. 16, 2020 (8 pages).
 ALFI Brand LED12R-BN Nickel 12" Round Led Rain Shower Head, May 8, 2017, amazon.ca, Jun. 13, 2022, URL: https://www.amazon.ca/dp/BO6XPPS2BT/ref=sbl_dp_ca-home-improvement-bathroom-fixed-showerheads_B01FZUAZL8_07?th=1 (Year: 2017).
 Shower Head, 8-Inch Chrome Finish Rainfall ShowerHead, Jun. 14, 2018, amazon.ca, Jun. 13, 2022, URL: https://www.amazon.ca/dp/B07DQKGT5P/ref=sbl_dp_ca-home-improvement-bathroom-fixed-showerheads_B09C5WZ3M9_07?th=1 (Year: 2018).

* cited by examiner

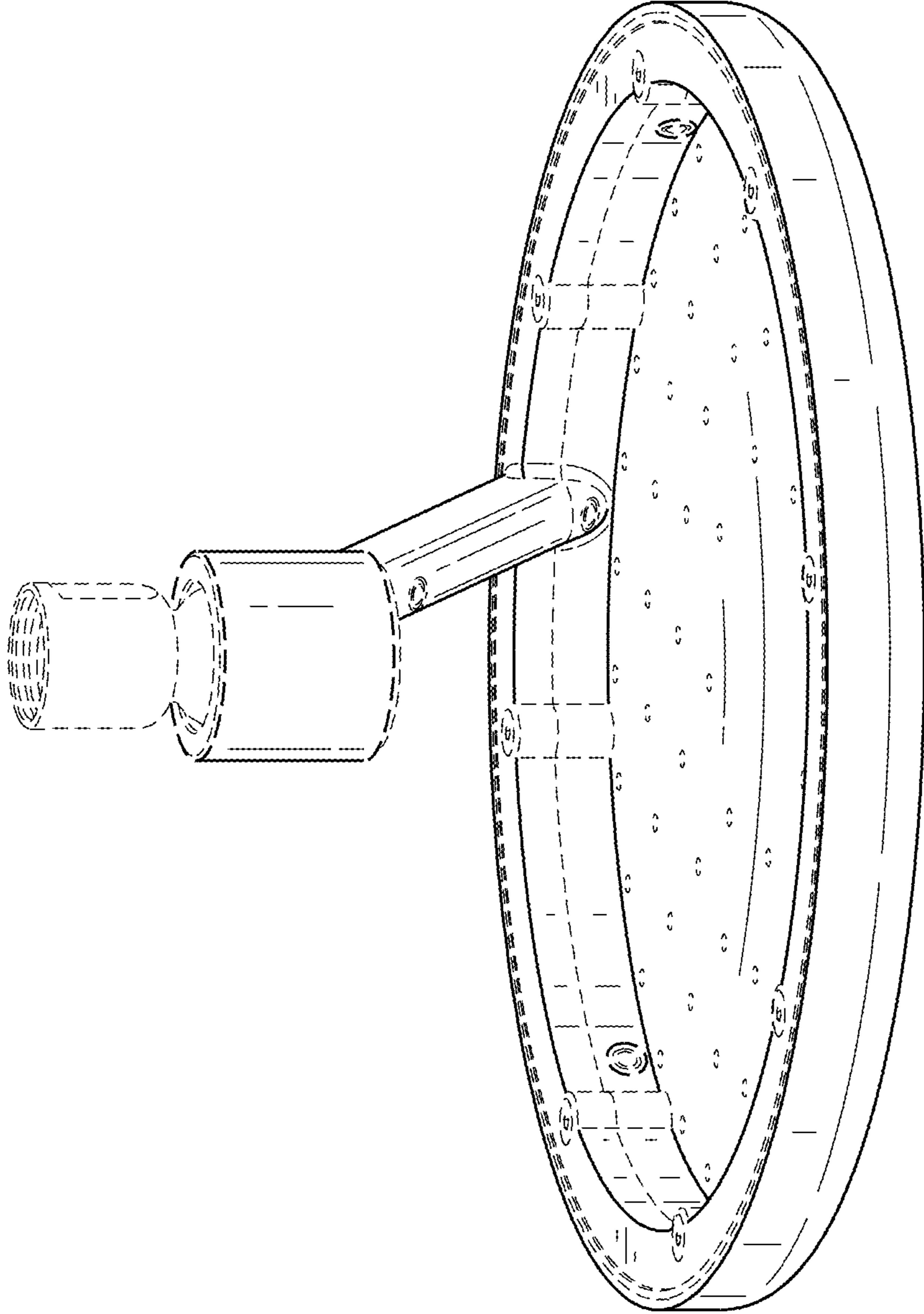


FIG. 1

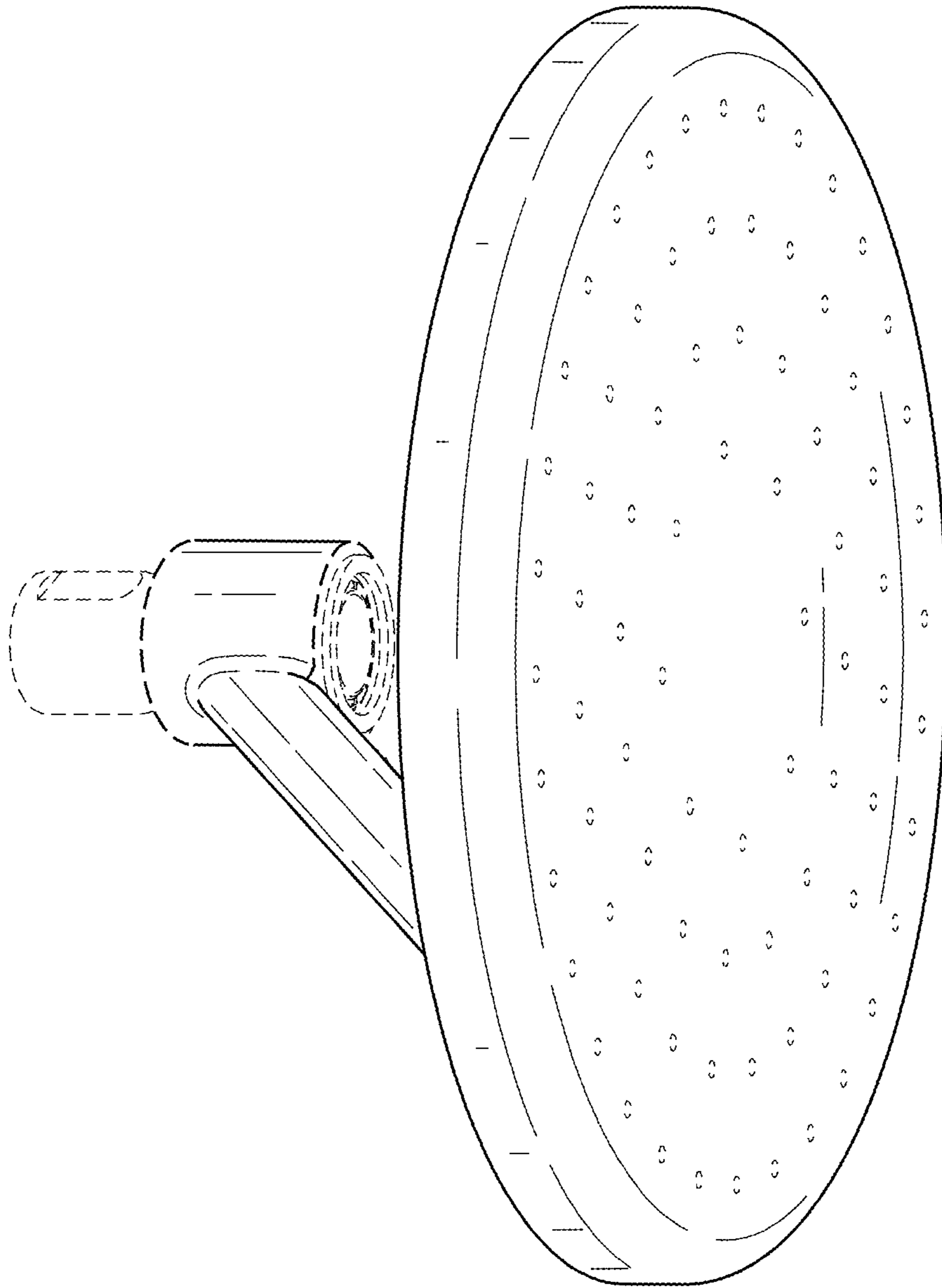


FIG. 2

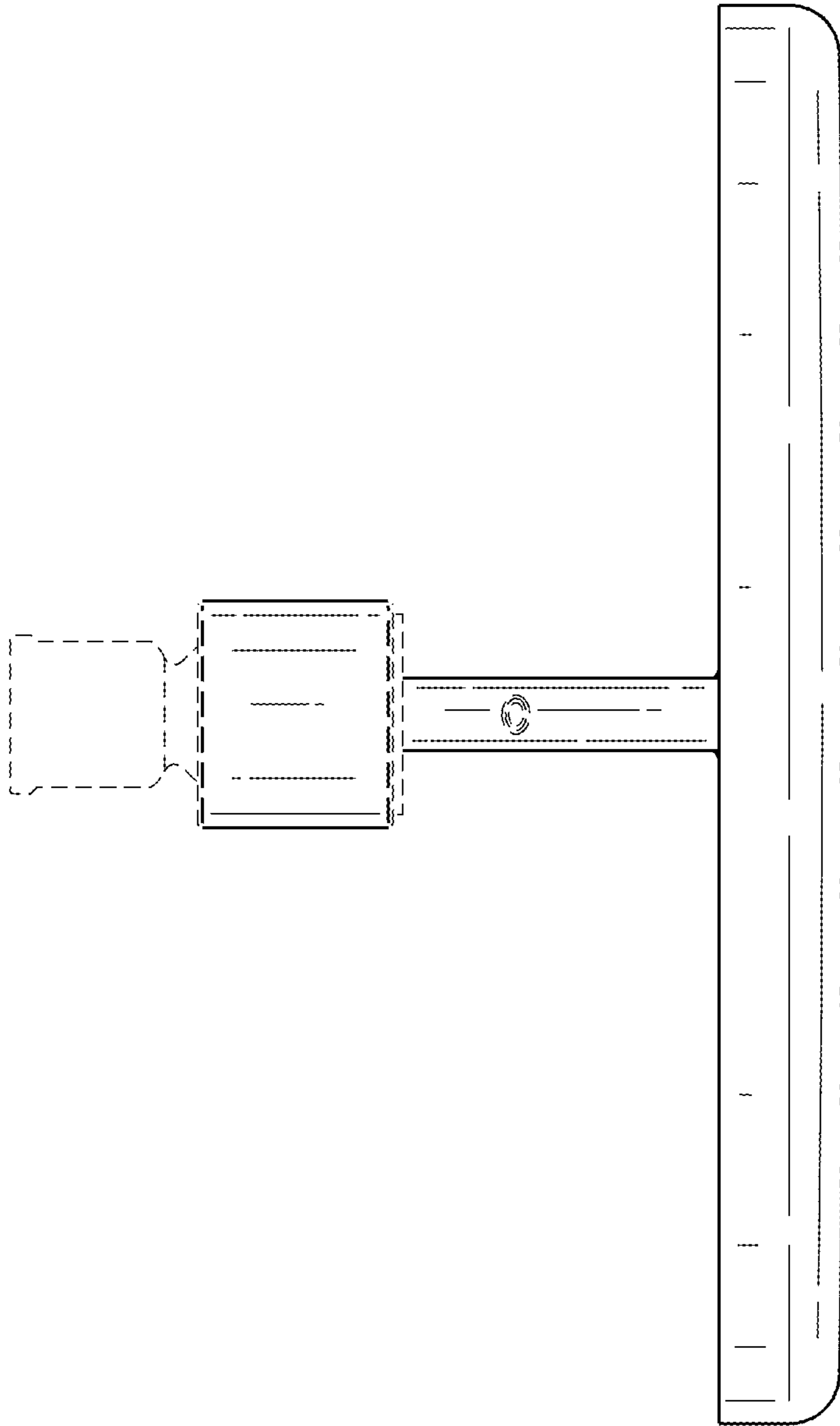


FIG. 3

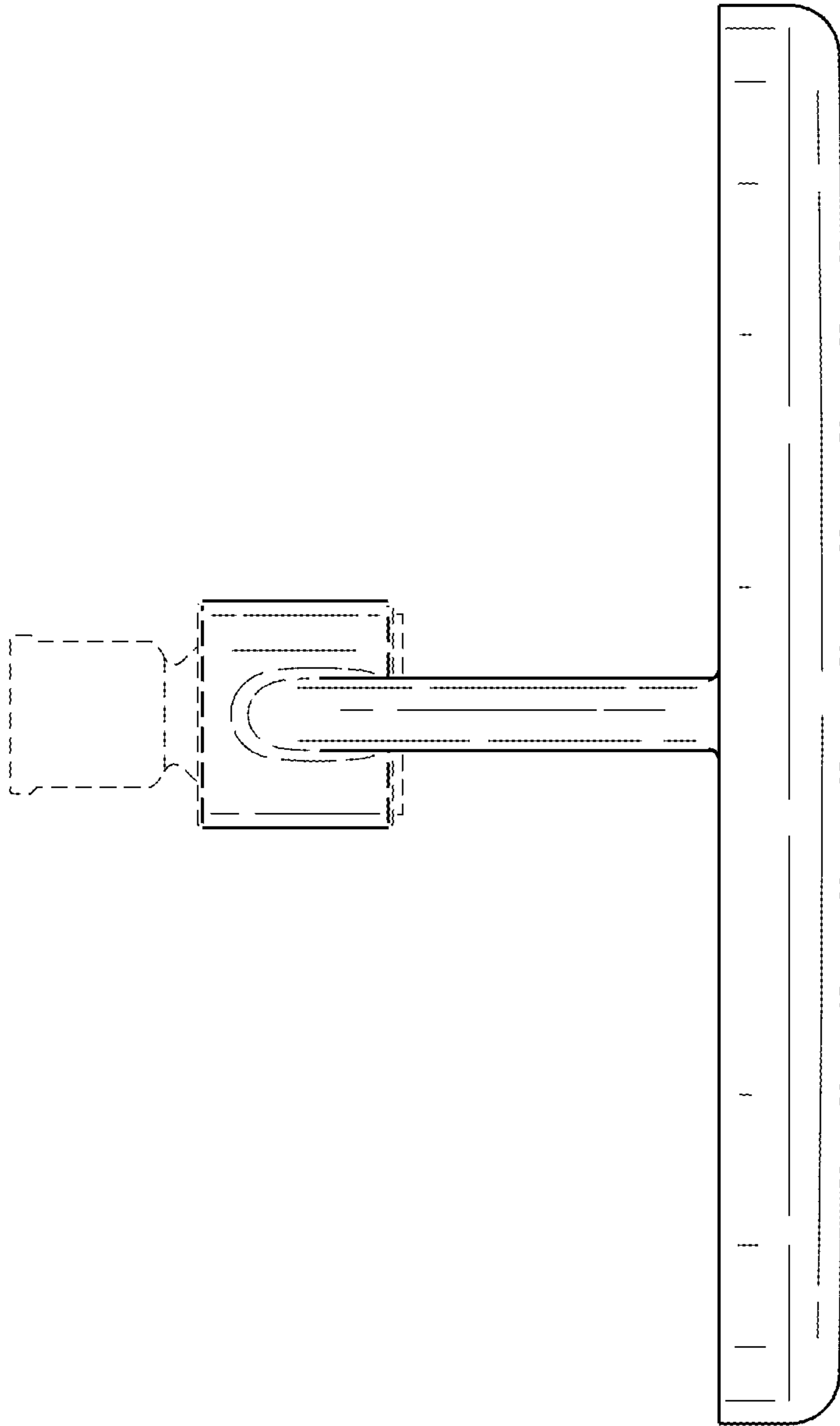


FIG. 4

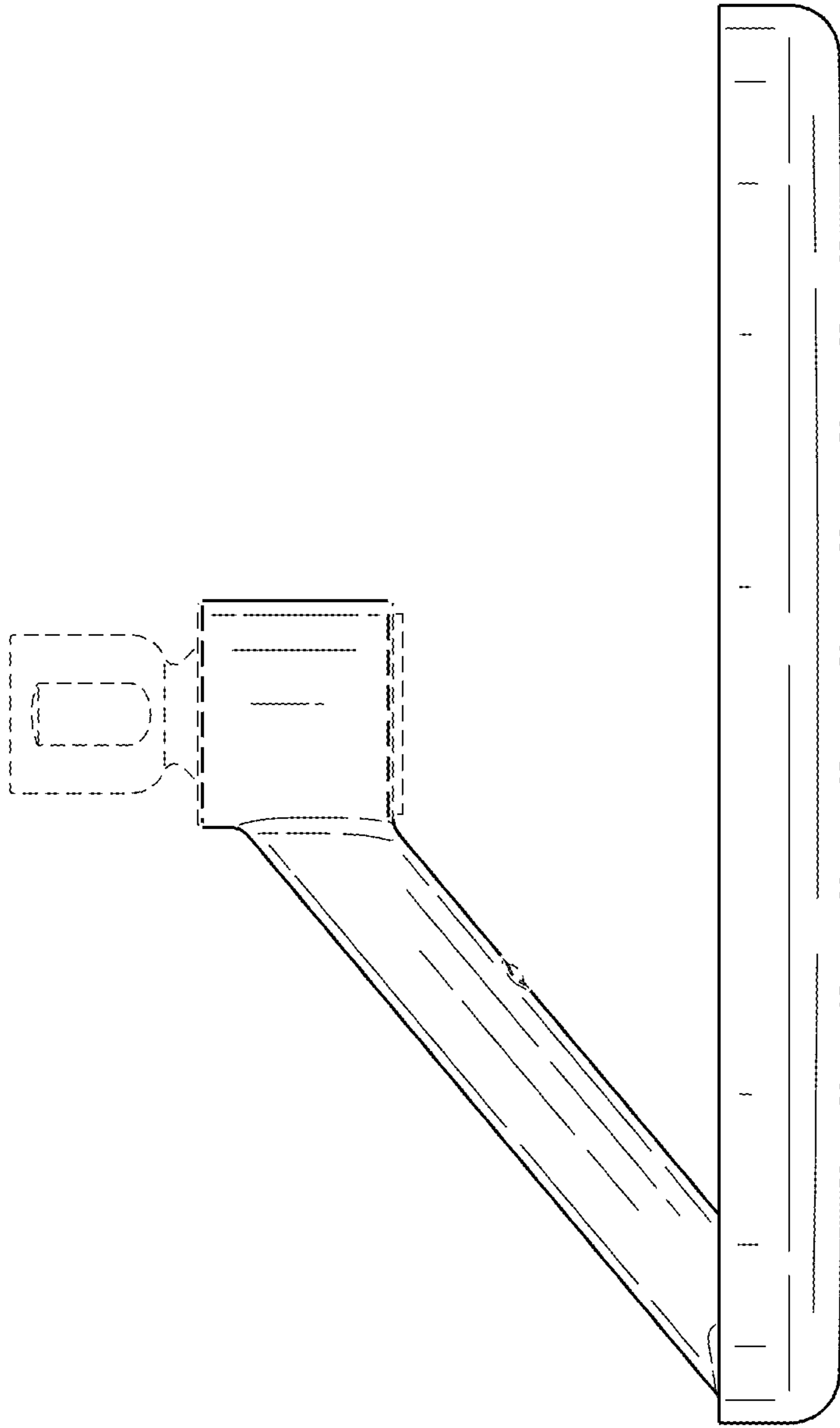


FIG. 5

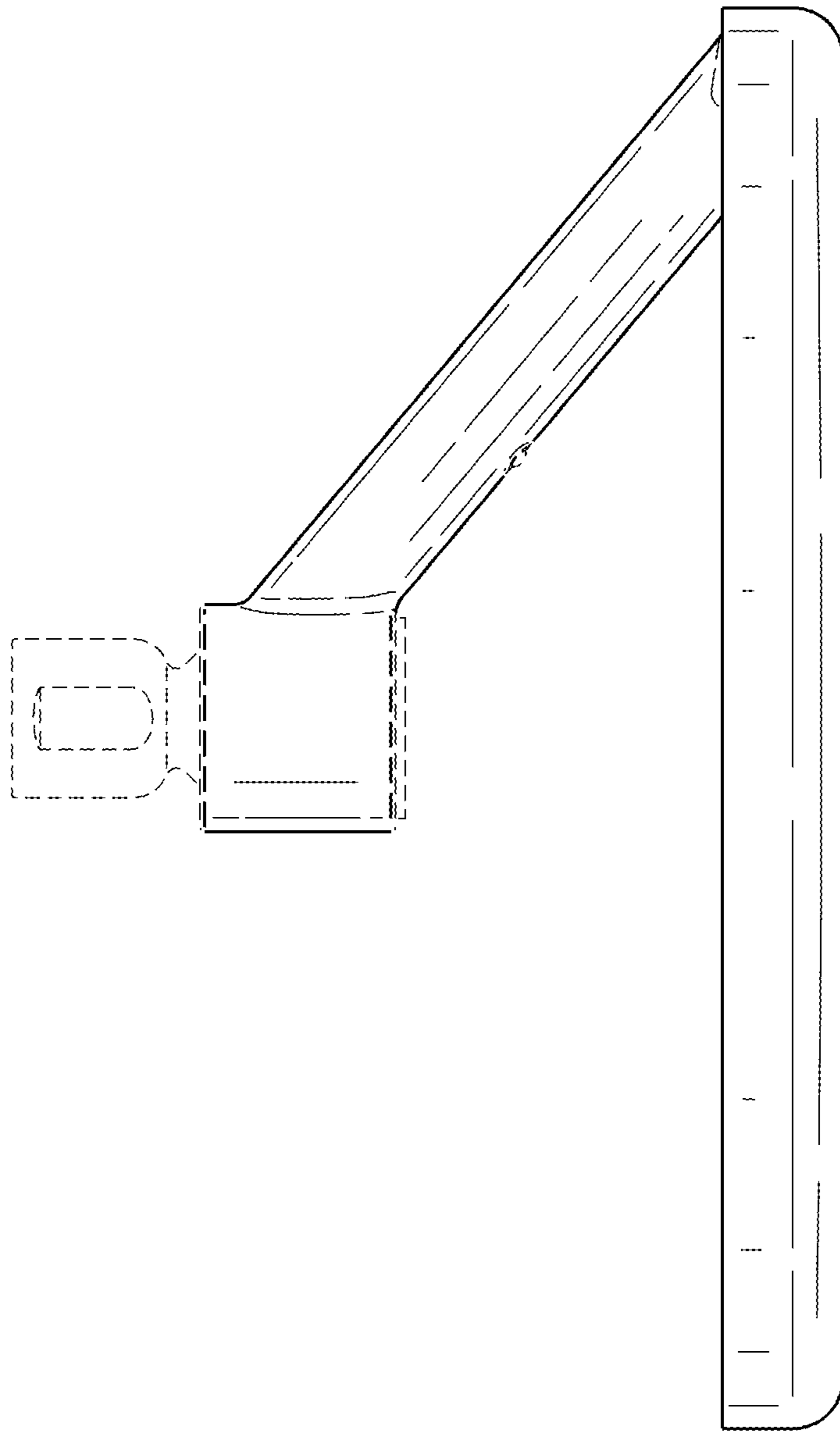


FIG. 6

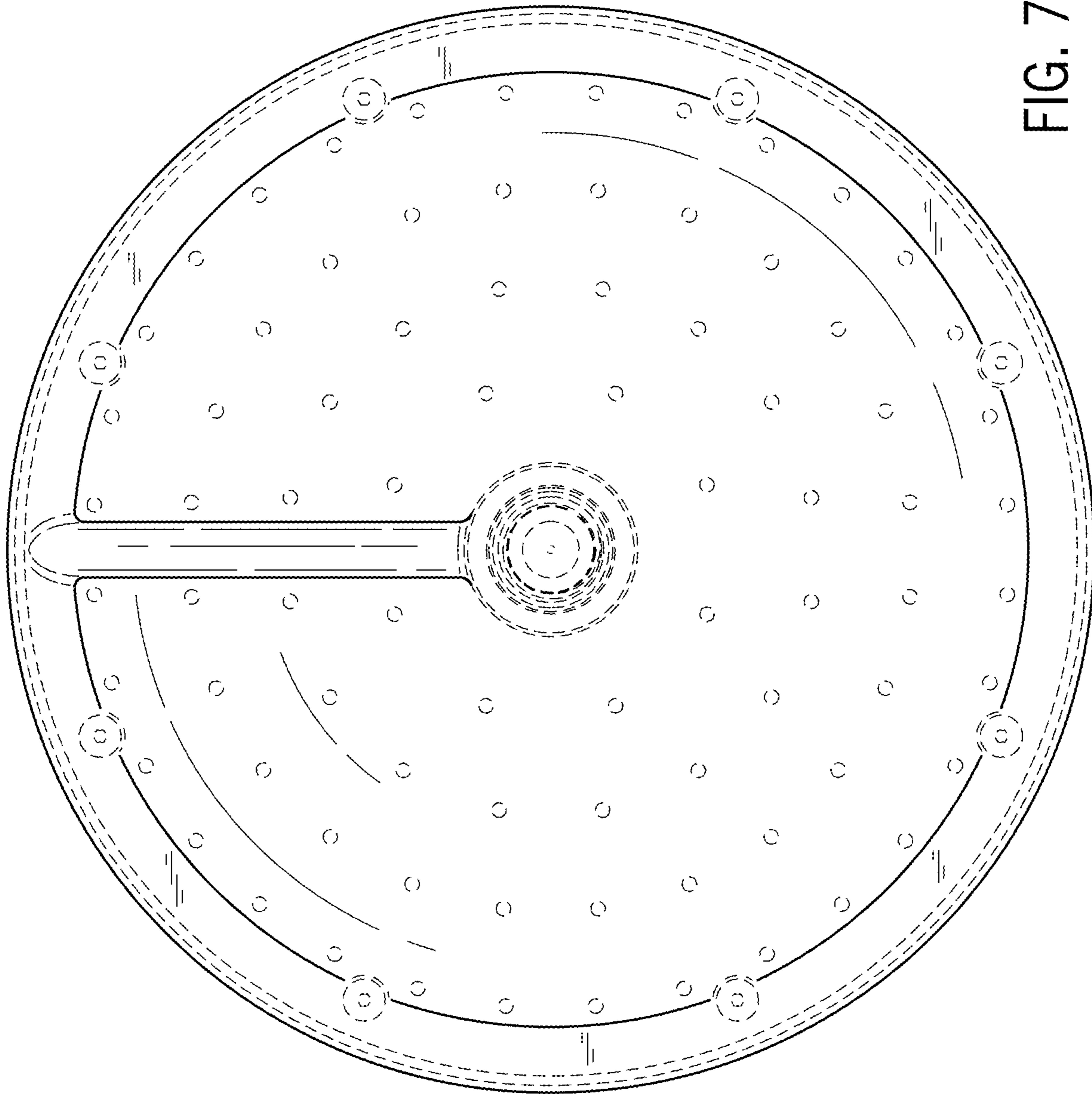


FIG. 7

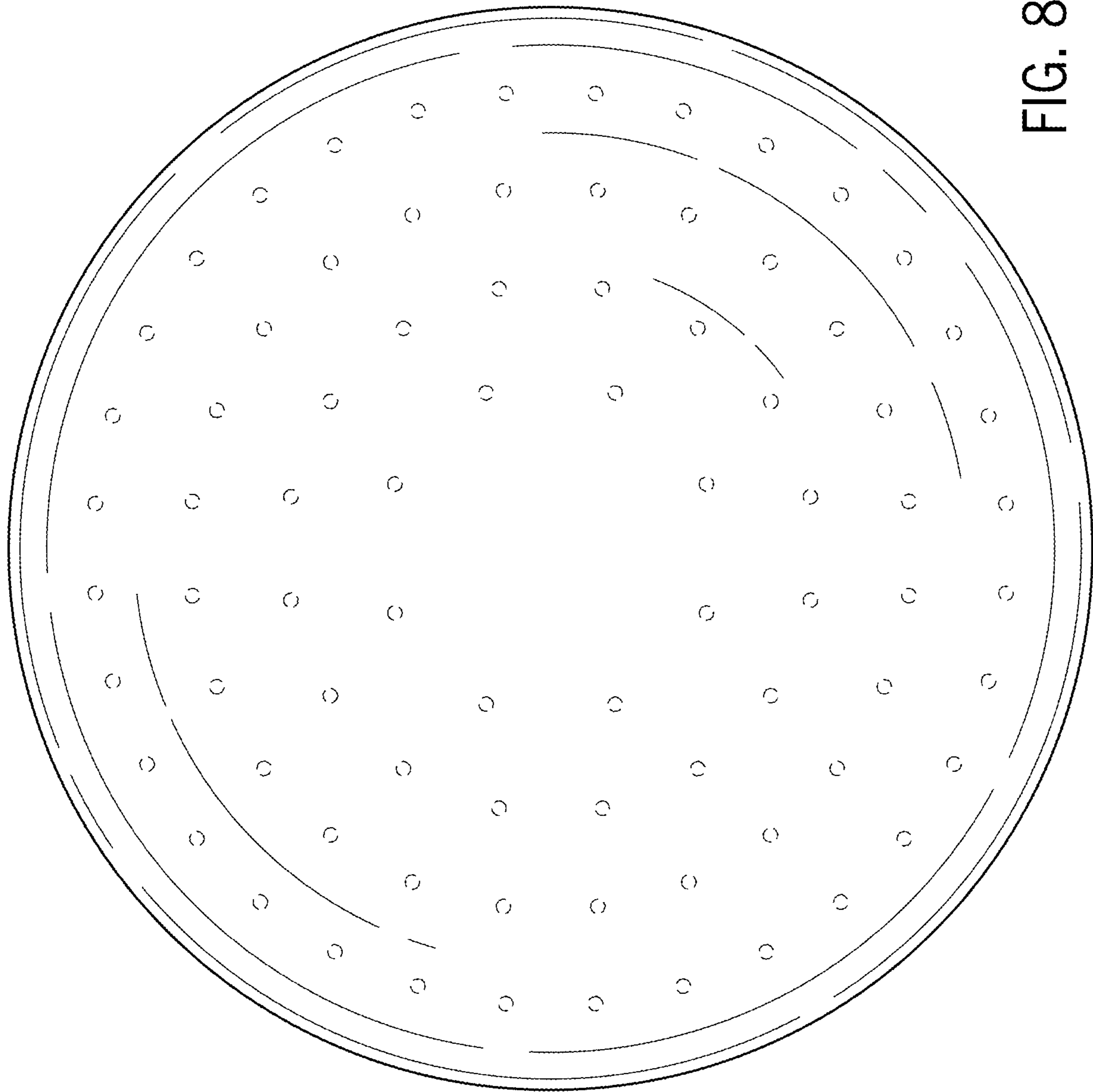


FIG. 8