



US00D975238S

(12) **United States Design Patent** (10) **Patent No.:** **US D975,238 S**
Wang (45) **Date of Patent:** **** Jan. 10, 2023**

(54) **POOL FOUNTAIN**

(71) Applicant: **Jiarong Wang**, Zhongwei (CN)

(72) Inventor: **Jiarong Wang**, Zhongwei (CN)

(**) Term: **15 Years**

(21) Appl. No.: **29/790,849**

(22) Filed: **Dec. 17, 2021**

(51) **LOC (14) Cl.** **25-03**

(52) **U.S. Cl.**
USPC **D23/201**

(58) **Field of Classification Search**
USPC D23/200, 201, 213, 214, 215, 238;
D13/102, 118, 184, 199
CPC B05B 1/044; B05B 17/08; B05B 17/085;
F21S 9/037; F21W 2121/02; F21W
2131/109; F21W 2131/401
See application file for complete search history.

(56) **References Cited**

U.S. PATENT DOCUMENTS

- D257,980 S * 1/1981 Sorensen 239/24
- D261,518 S * 10/1981 Butter D23/292
- D346,013 S * 4/1994 McKeone D23/255
- 5,458,288 A * 10/1995 Mullick E03B 9/20
251/238
- D378,558 S * 3/1997 Mullick D7/304
- D420,722 S * 2/2000 Blount D23/201
- 6,357,058 B1 * 3/2002 Biancamano E04H 4/14
4/496
- 6,595,435 B1 * 7/2003 Cardenas B05B 1/044
239/22
- D509,283 S * 9/2005 Sieger D23/238
- D530,397 S * 10/2006 Buschmann D23/238
- D614,734 S * 4/2010 Kulig D23/242
- D619,221 S * 7/2010 Kulig D23/242
- D744,617 S * 12/2015 Schoolcraft D23/255
- D841,116 S 2/2019 Tappeiner
- D841,768 S 2/2019 Tappeiner
- D886,245 S * 6/2020 Wesson D23/255

- D922,517 S 6/2021 McPeck
- 2005/0223490 A1 * 10/2005 Kunkel E03C 1/0404
4/675
- 2006/0117476 A1 * 6/2006 Kunkel F21S 8/00
4/675
- 2022/0049826 A1 * 2/2022 Fujioka H04N 9/44

OTHER PUBLICATIONS

Longrun Waterfall Spillway, Oct. 19, 2021, Amazon, site visited Jul. 13, 2022: <https://www.amazon.com/dp/B09NVGCF8R/> (Year: 2021).
Happybuy Stainless Steel Pool Fountain, Oct. 4, 2020, Amazon, site visited Jul. 13, 2022: <https://www.amazon.com/dp/B07PW5H9QN/> (Year: 2020).
Ubbink stainless steel waterfall Mamba, Nov. 2, 2014, YouTube, site visited Jul. 13, 2022: <https://www.youtube.com/watch?v=WRXGJ-HxOc8> (Year: 2014).*

* cited by examiner

Primary Examiner — Jack Reickel
Assistant Examiner — Bobby W Jones, II
(74) *Attorney, Agent, or Firm* — Rumit Ranjit Kanakia

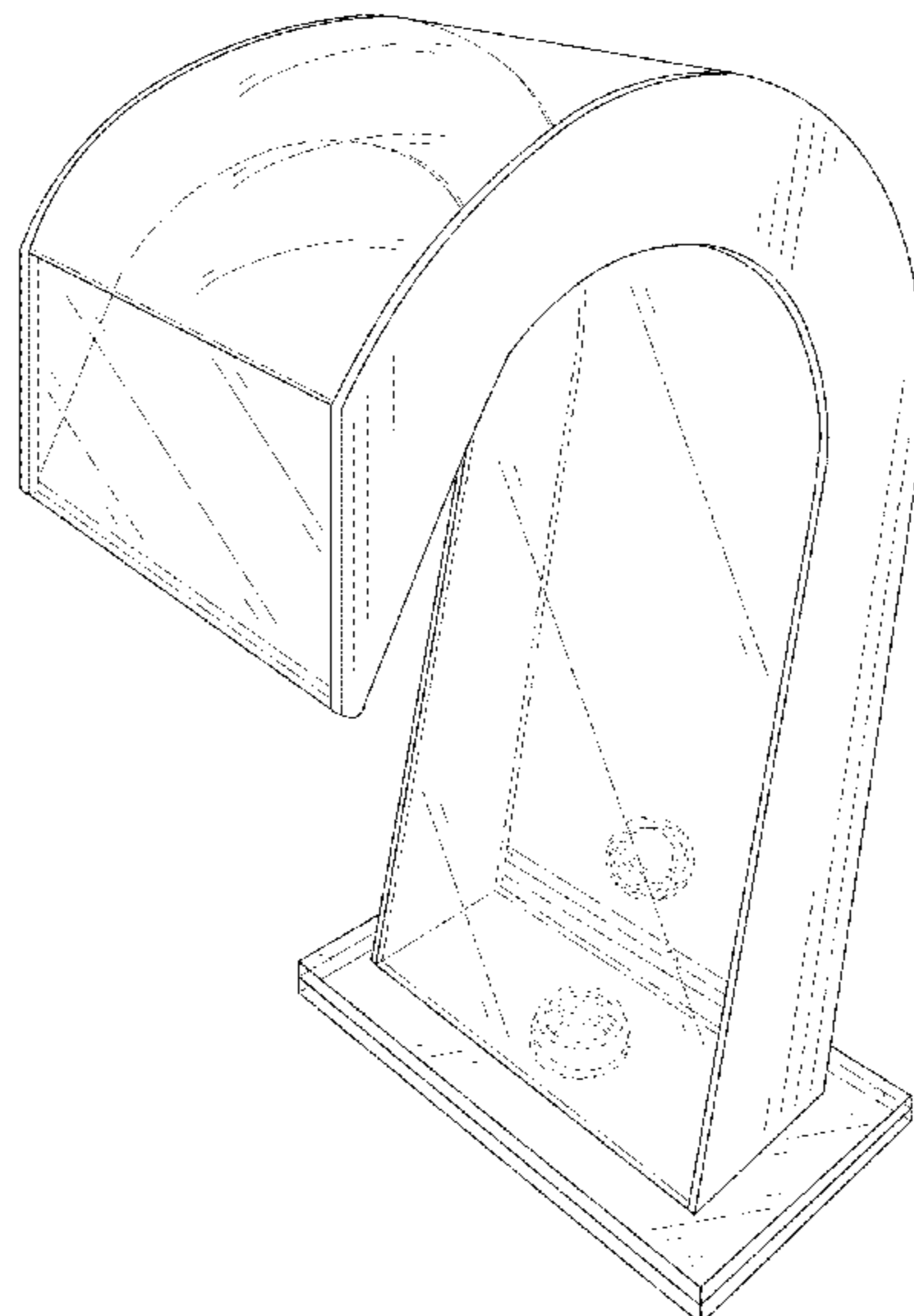
(57) **CLAIM**

The ornamental design for a pool fountain, as shown and described.

DESCRIPTION

FIG. 1 is a perspective view of a pool fountain showing my new design;
FIG. 2 is a right side view thereof;
FIG. 3 is a left side view thereof;
FIG. 4 is a front view thereof;
FIG. 5 is a back view thereof;
FIG. 6 is a top view thereof; and,
FIG. 7 is a bottom view thereof.
The broken lines shown in the drawings depict portions of the pool fountain in which the design is embodied that form no part of the claimed design.

1 Claim, 7 Drawing Sheets



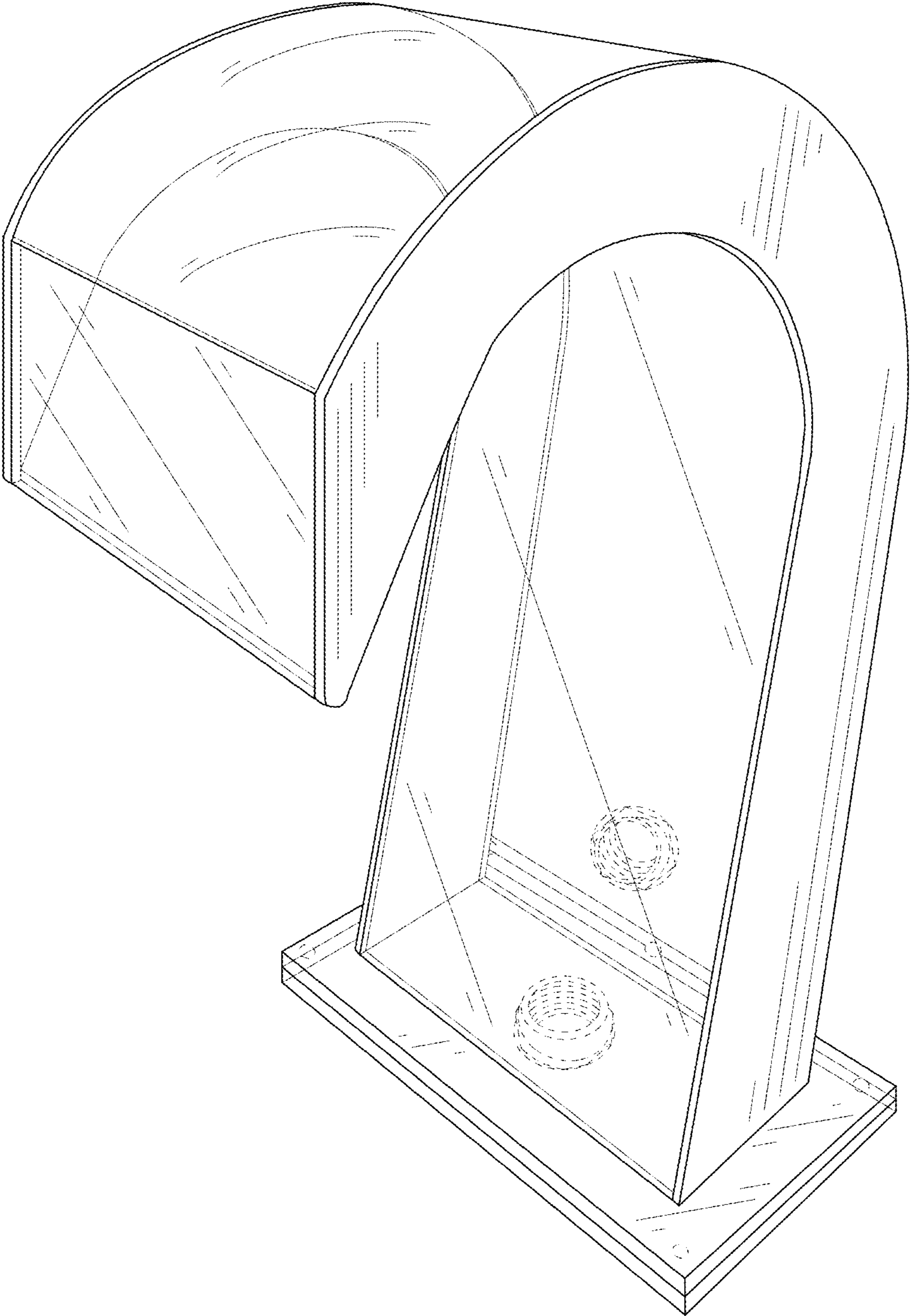


FIG. 1

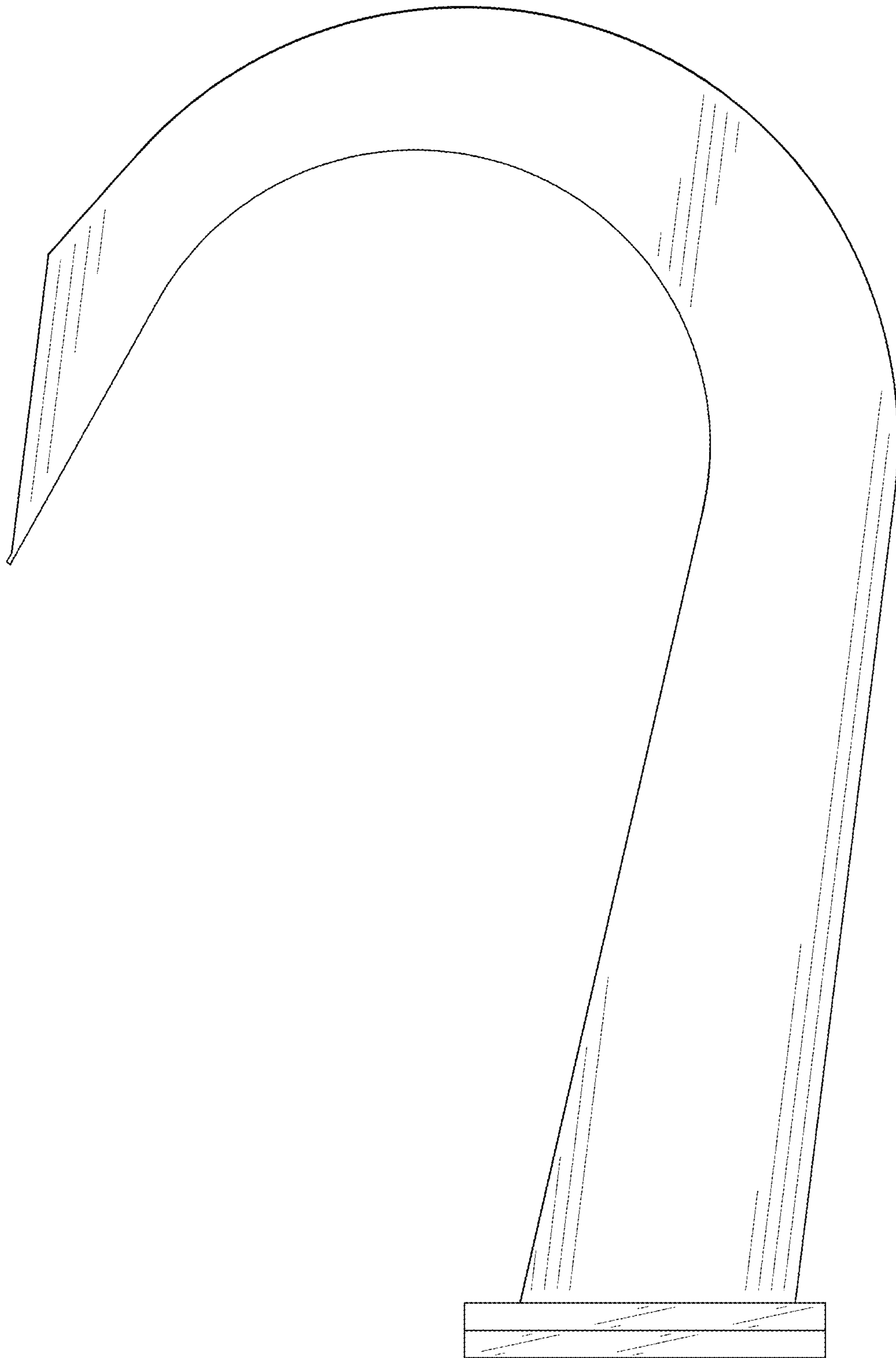


FIG. 2

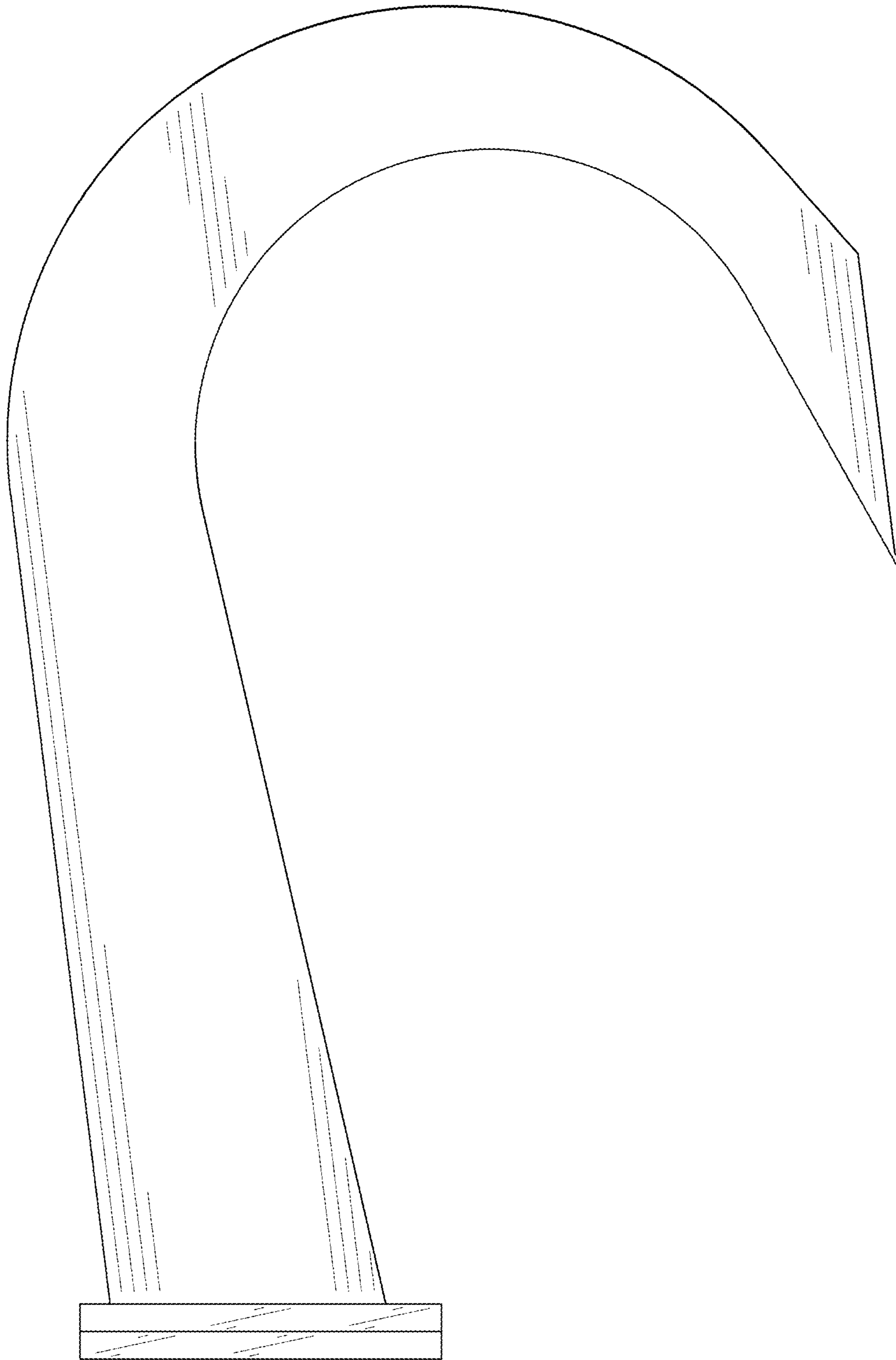


FIG. 3

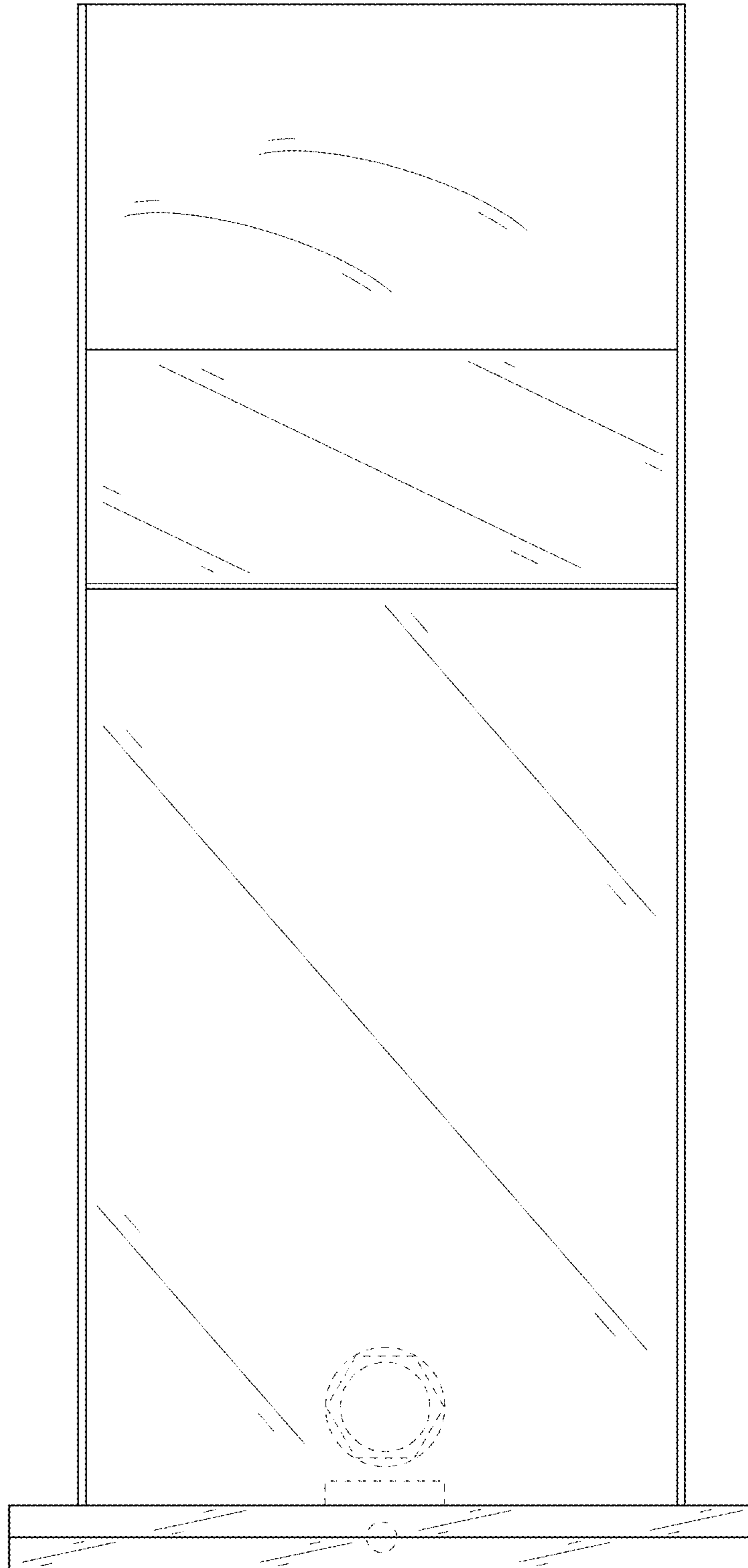


FIG. 4

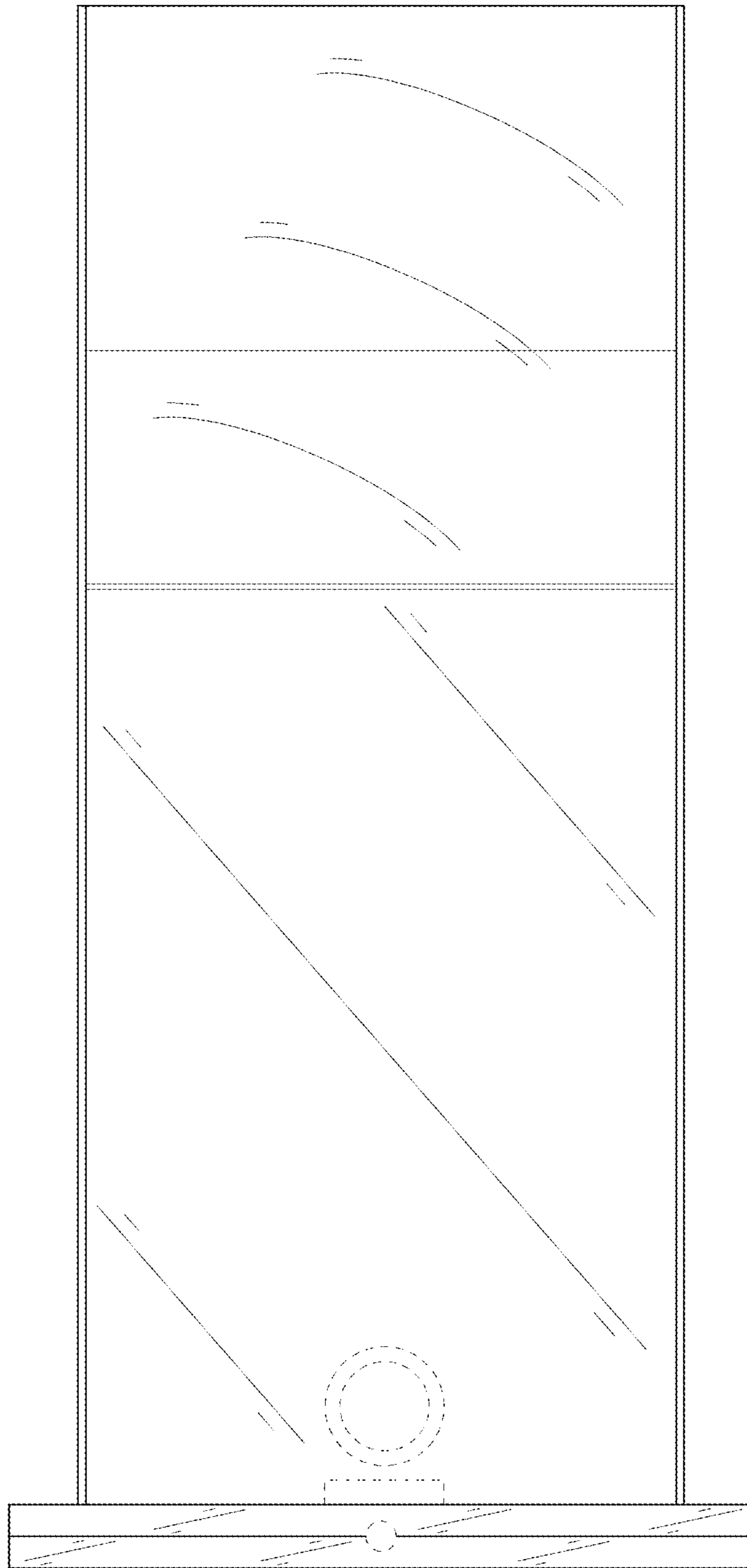


FIG. 5

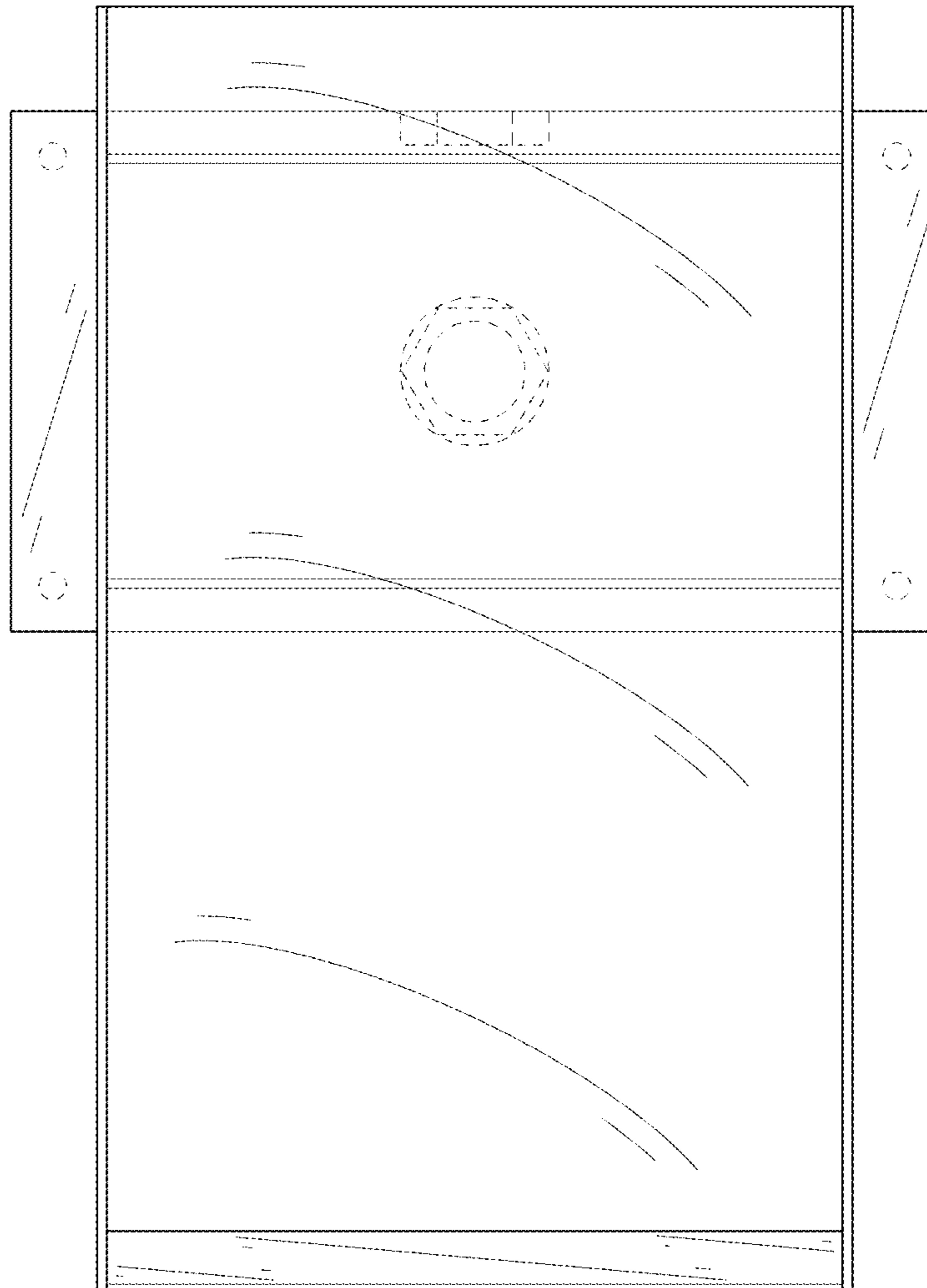


FIG. 6

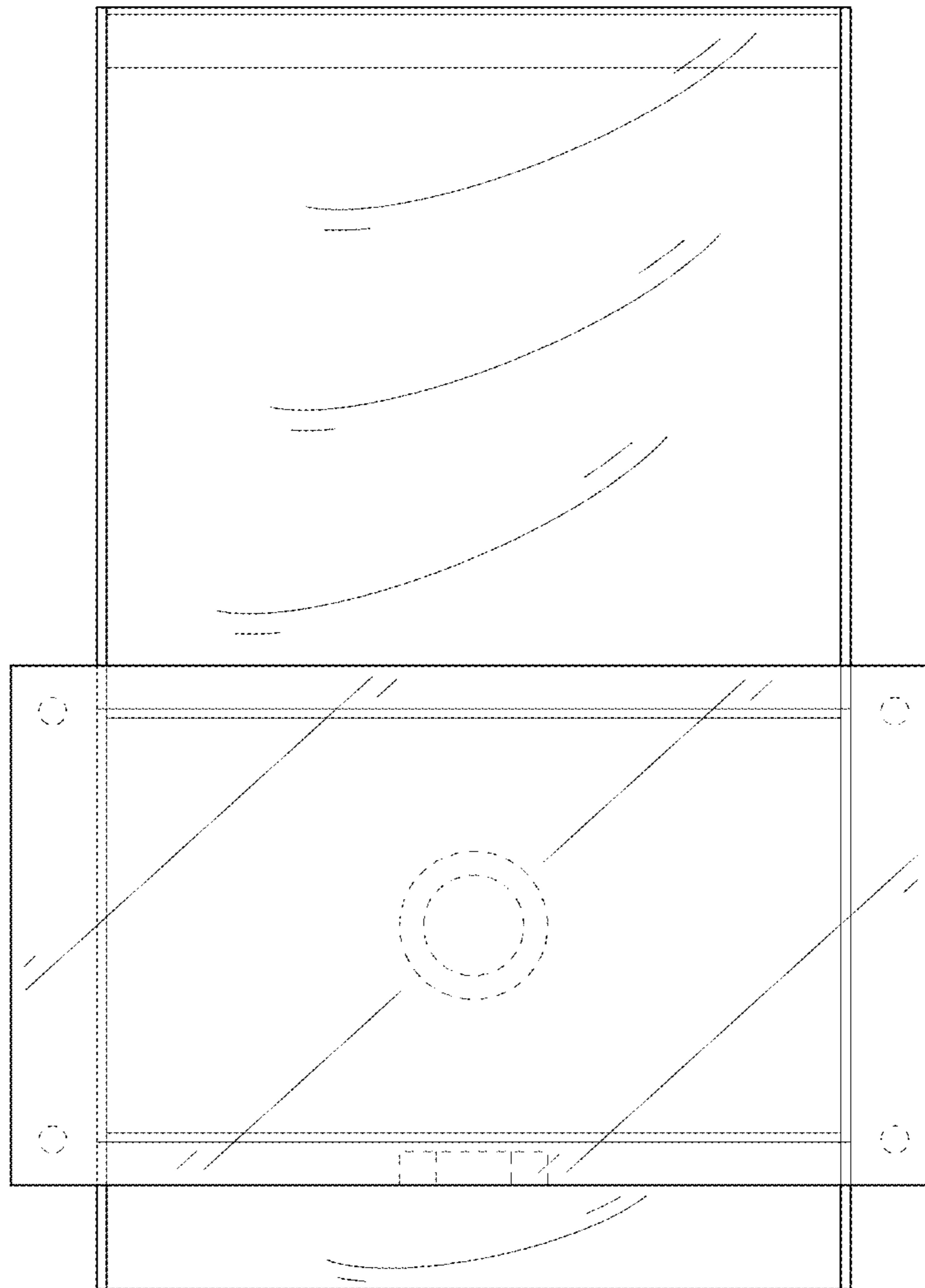


FIG. 7