



US00D975237S

(12) **United States Design Patent** (10) **Patent No.:** **US D975,237 S**
Yang (45) **Date of Patent:** **** Jan. 10, 2023**

- (54) **FOG MACHINE**
- (71) Applicant: **Shenzhen Wanbaiwan E-commerce Co., Ltd.**, Guangdong (CN)
- (72) Inventor: **Ruishi Yang**, Guangdong (CN)
- (73) Assignee: **Shenzhen Wanbaiwan E-commerce Co., Ltd.**, Guangdong (CN)
- (**) Term: **15 Years**
- (21) Appl. No.: **29/799,404**
- (22) Filed: **Jul. 14, 2021**
- (51) **LOC (14) Cl.** **23-01**
- (52) **U.S. Cl.**
USPC **D23/200**
- (58) **Field of Classification Search**
USPC D15/122, 135, 199; D23/200, 213, D23/355-365
CPC ... A61L 9/02; A61L 9/03; A61L 9/012; A61L 9/015; A61L 9/037; F24F 11/62; F24F 7/08
See application file for complete search history.

- D947,986 S * 4/2022 Wang D23/200
- D950,614 S * 5/2022 Kida D10/46
- D965,098 S * 9/2022 Yang D23/200
- D966,484 S * 10/2022 Campbell D23/365
- 2003/0202785 A1* 10/2003 Monitto A63J 5/025 392/405
- 2019/0321744 A1* 10/2019 Xu A63J 5/025
- 2020/0139262 A1* 5/2020 Yang A63H 33/28
- 2020/0197828 A1* 6/2020 Yang A63H 33/28

* cited by examiner

Primary Examiner — Karen S Acker
Assistant Examiner — Jonathan E Fiencke
 (74) *Attorney, Agent, or Firm* — ScienBiziP, P.C.

(57) **CLAIM**

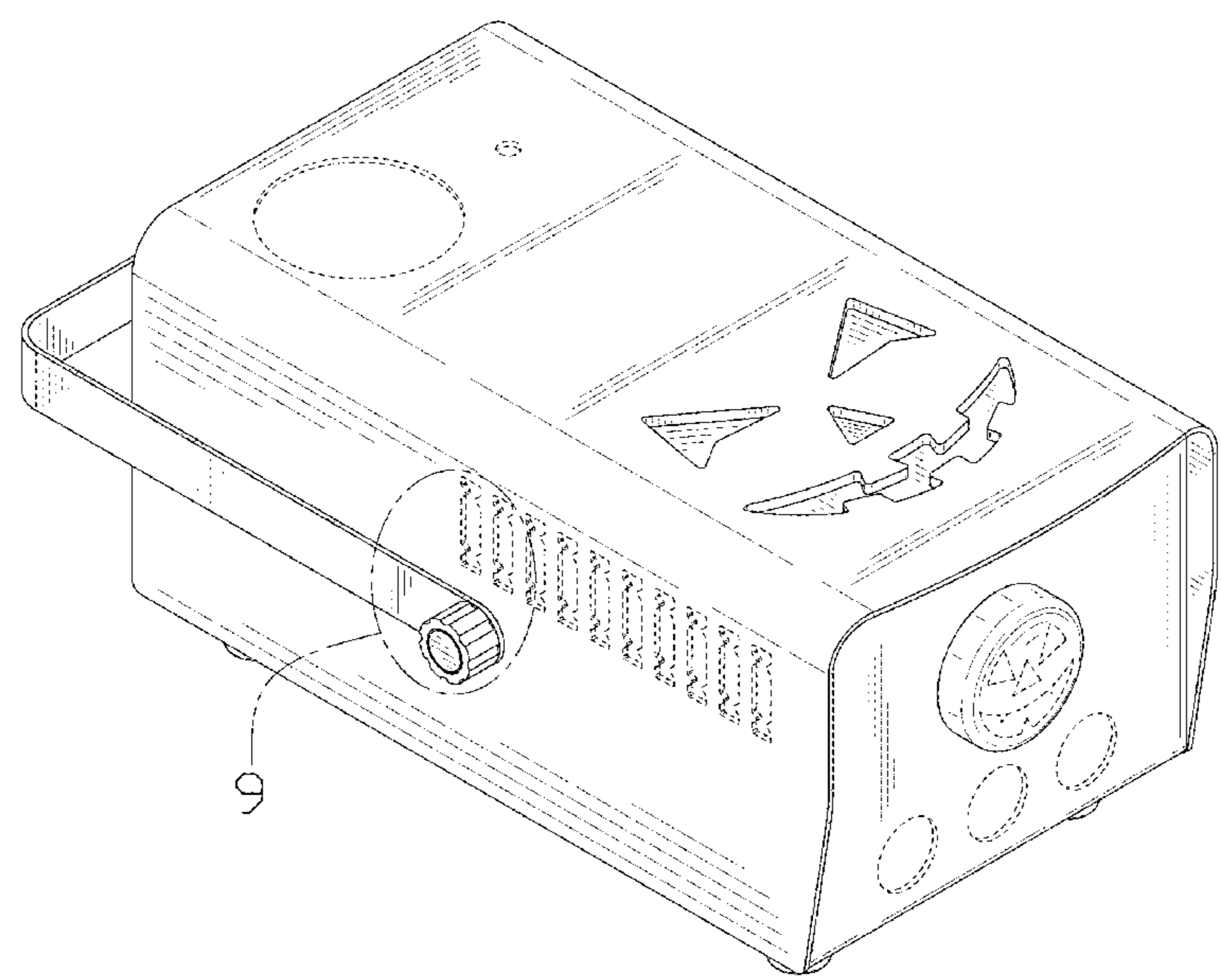
The ornamental design for fog machine, as shown and described.

DESCRIPTION

FIG. 1 is a front, right, and top perspective view of a fog machine, showing my design.
 FIG. 2 is a rear, left, and bottom perspective view thereof.
 FIG. 3 is a front elevation view thereof.
 FIG. 4 is a rear elevation view thereof.
 FIG. 5 is a left side elevation view thereof.
 FIG. 6 is a right side elevation view thereof.
 FIG. 7 is a top plan view thereof.
 FIG. 8 is a bottom plan view thereof; and,
 FIG. 9 is an enlarged detail view of area 9 circumscribed within FIG. 1.

Evenly spaced broken lines and unshaded areas depict portions of the fog machine that form no part of the claimed design. Dot dash dot broken lines in the drawings denoting the boundaries of the detail areas form no part of the claim. The broken lines shown in the drawings are included for the purpose of illustrating portions of the fog machine that form no part of the claimed design.

1 Claim, 9 Drawing Sheets



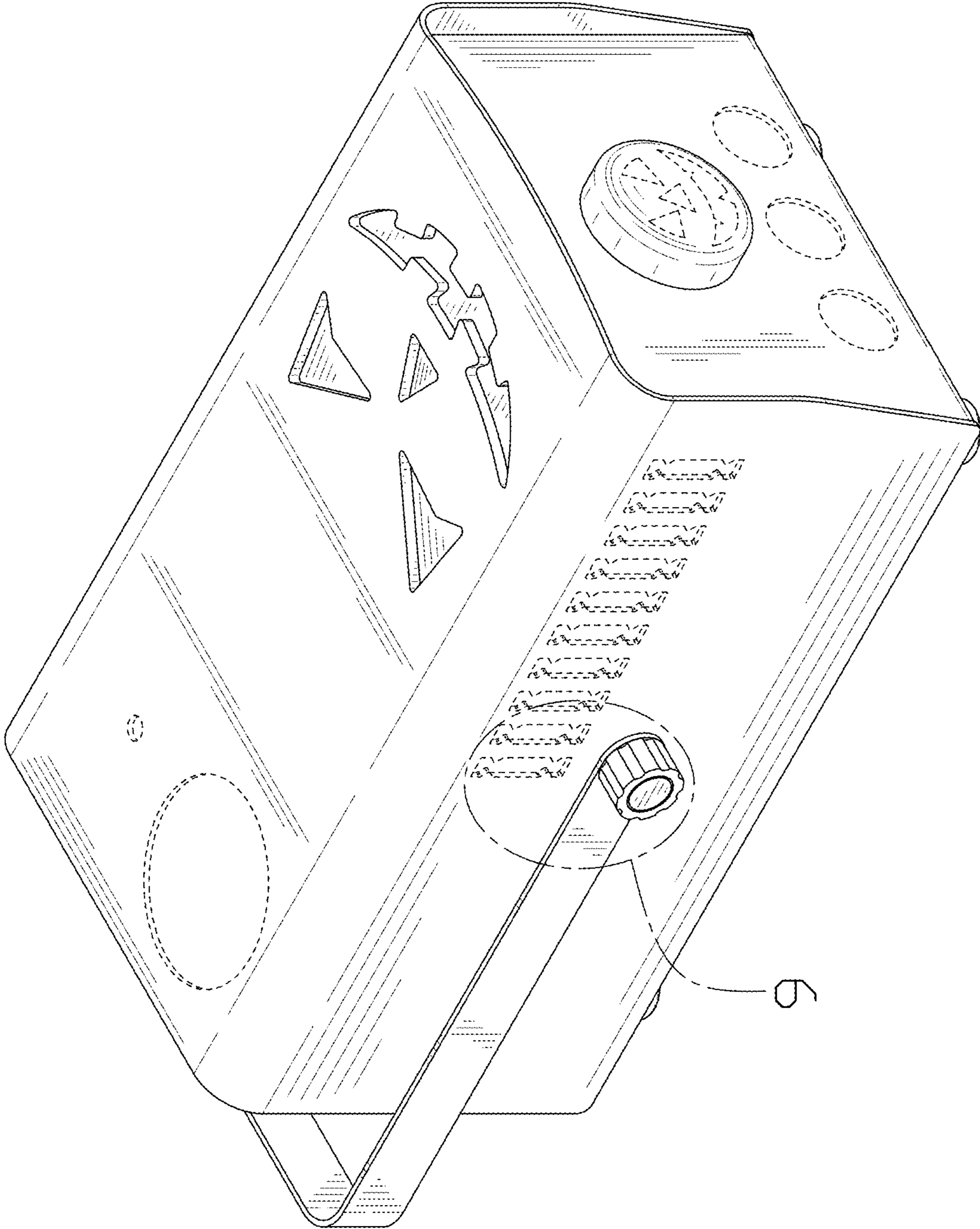


FIG. 1

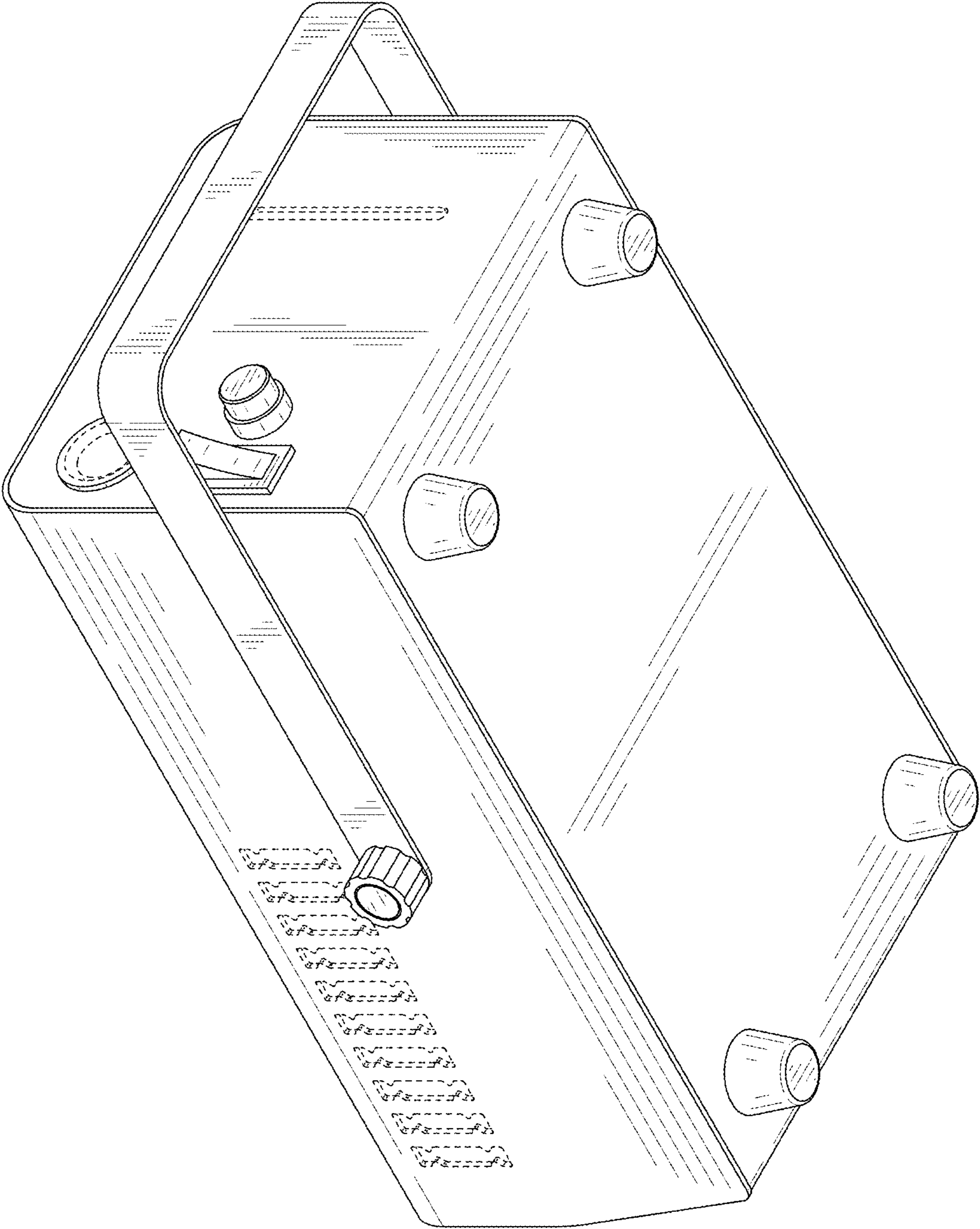


FIG. 2

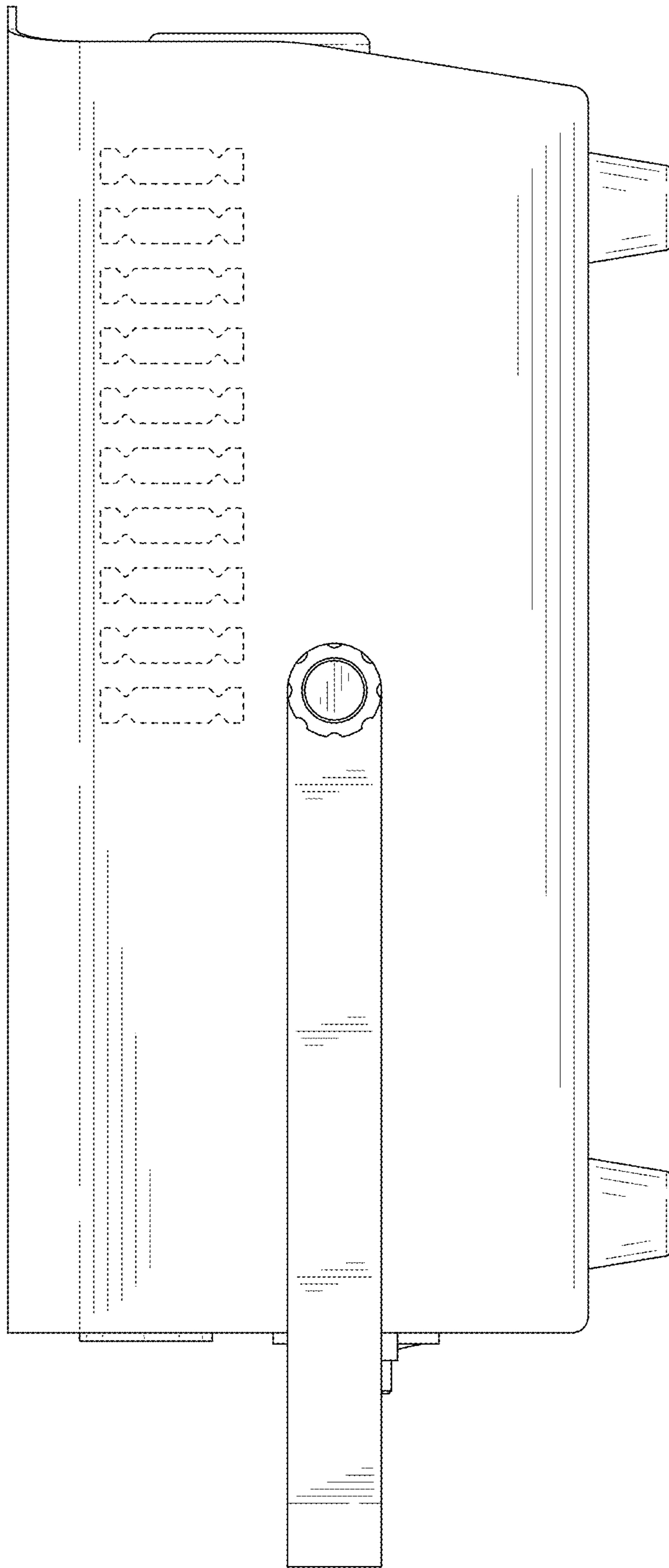


FIG. 3

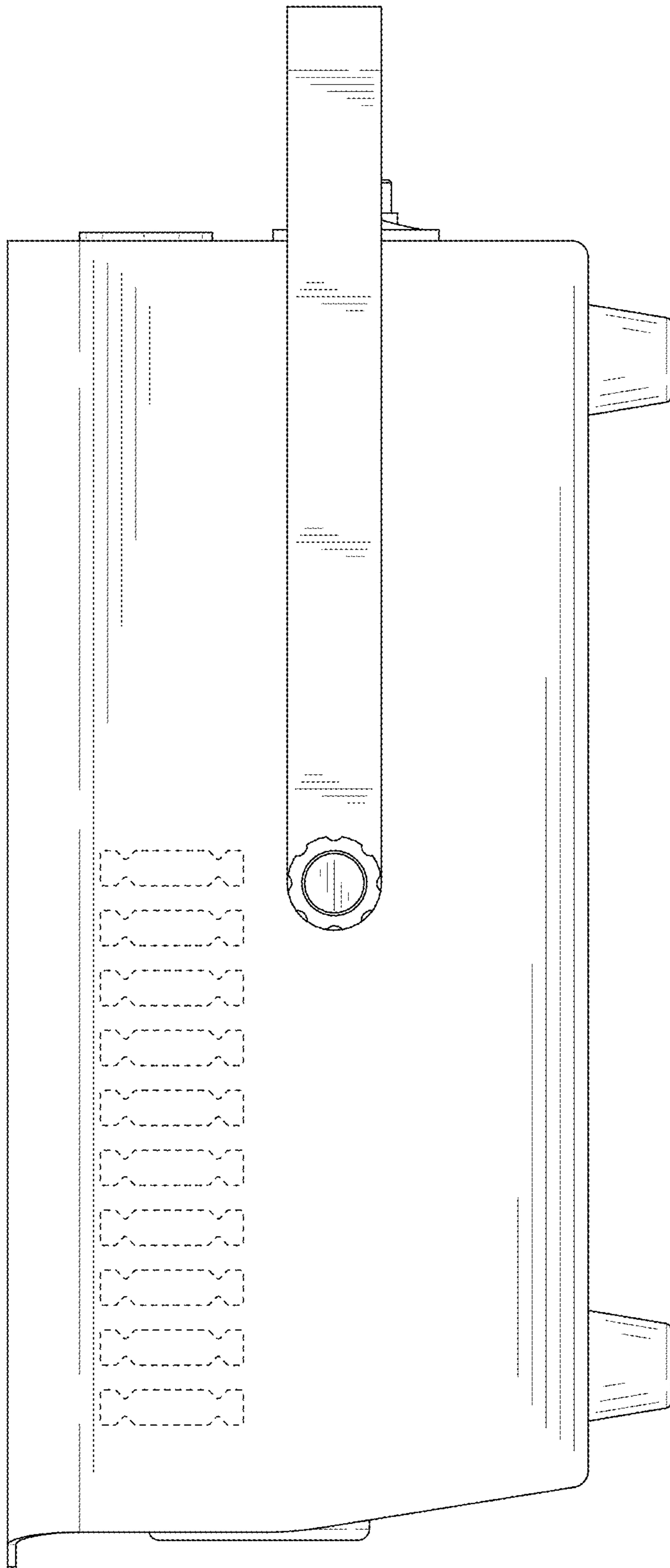


FIG. 4

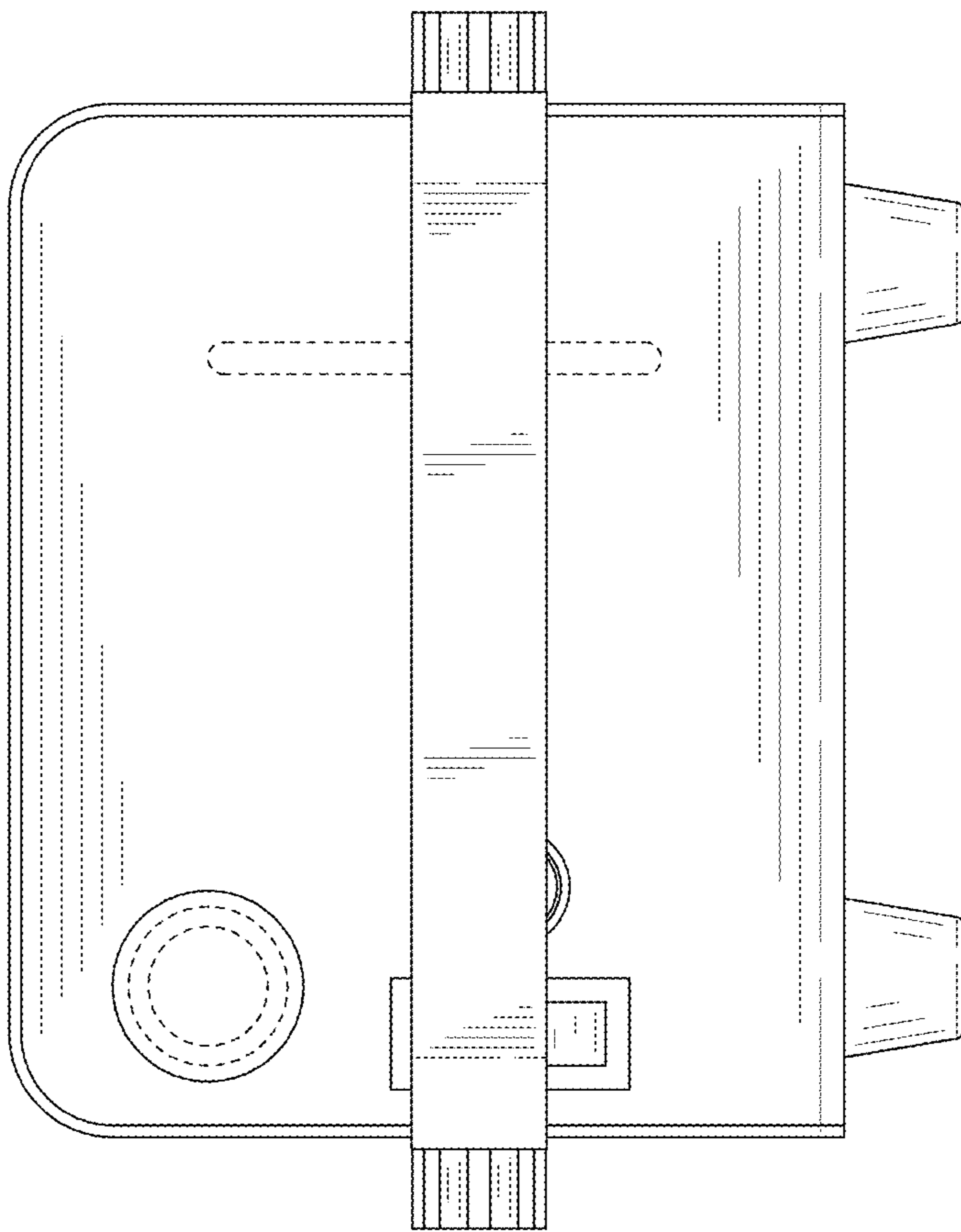


FIG. 5

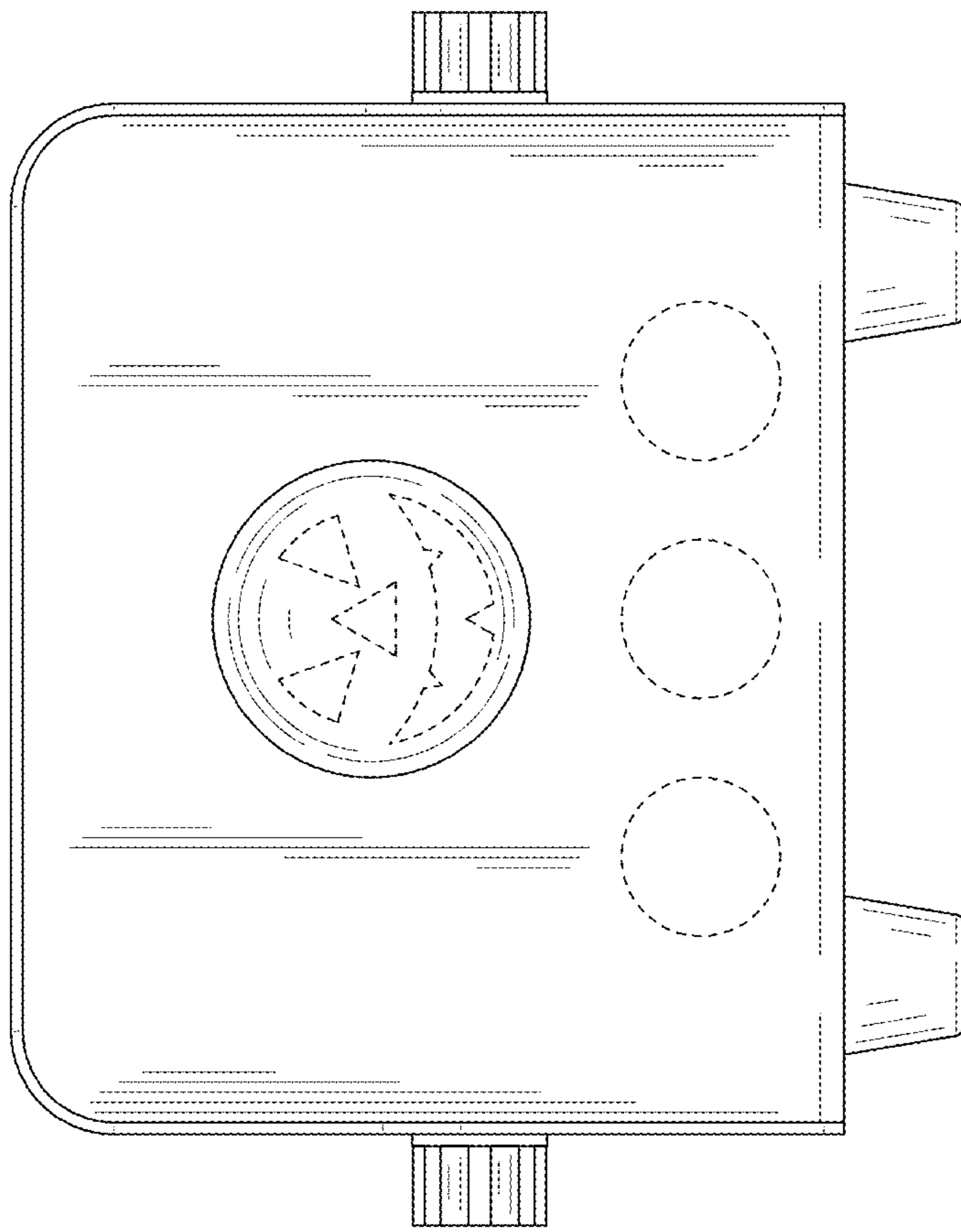


FIG. 6

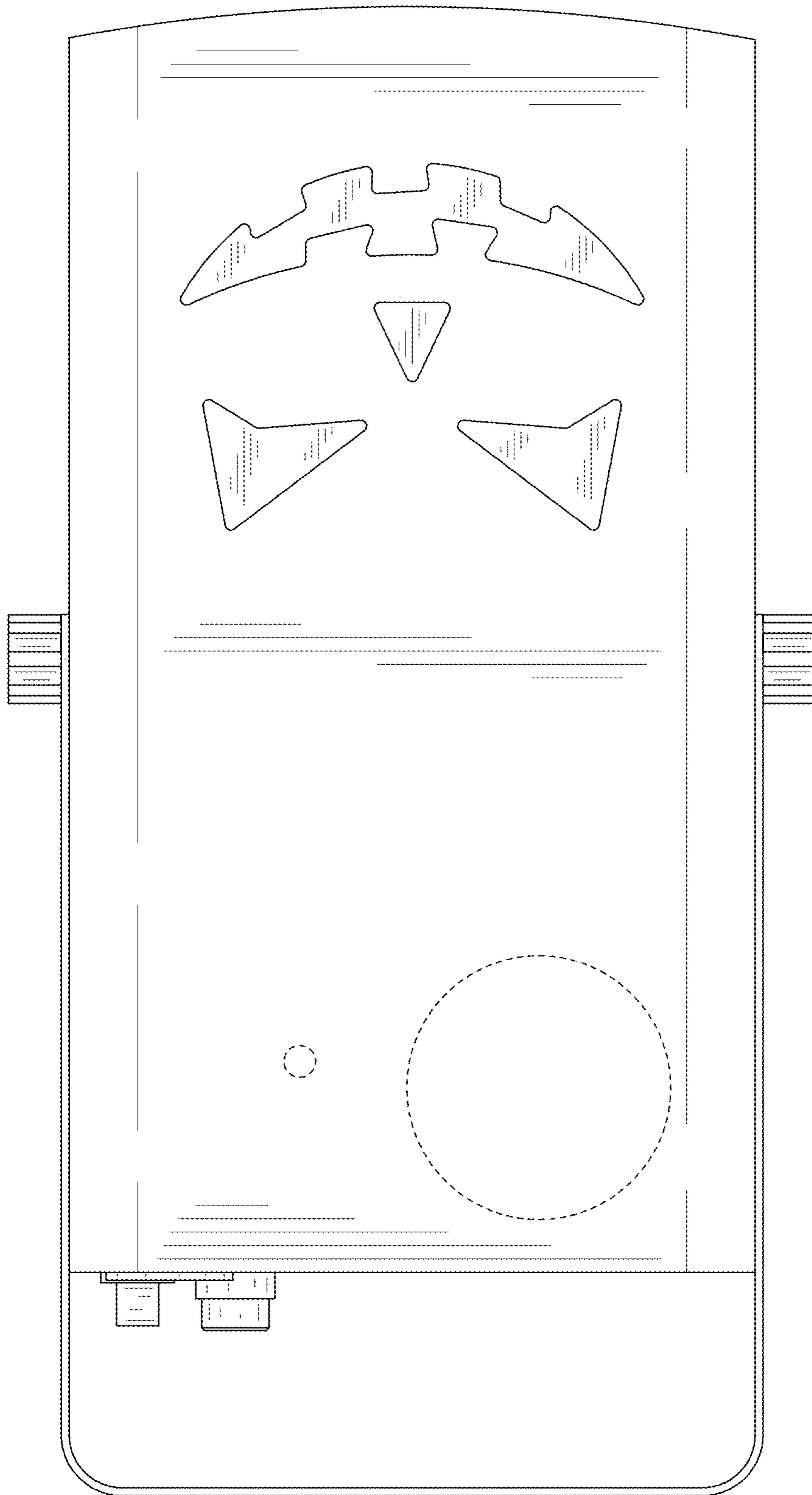


FIG. 7

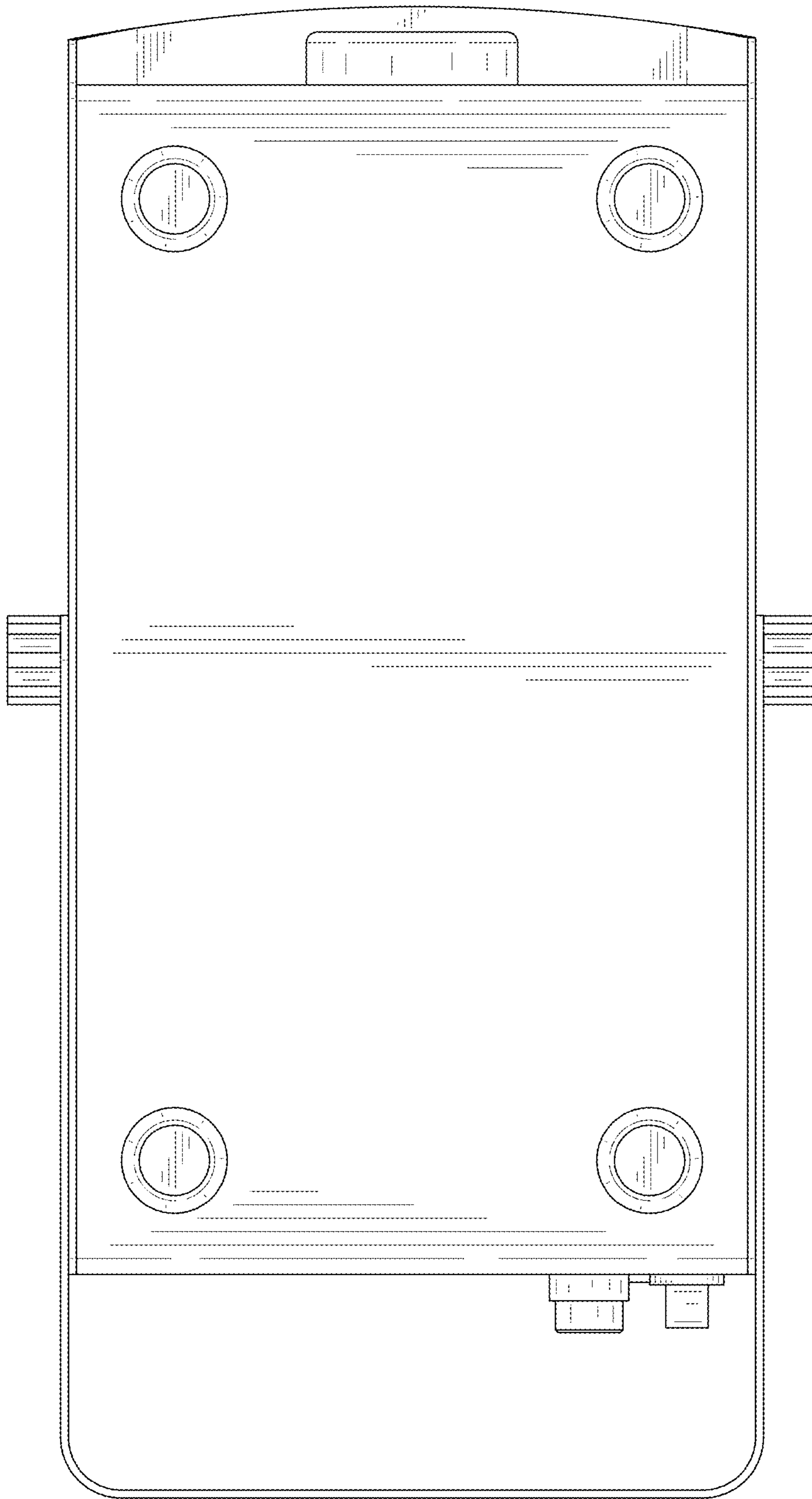


FIG. 8

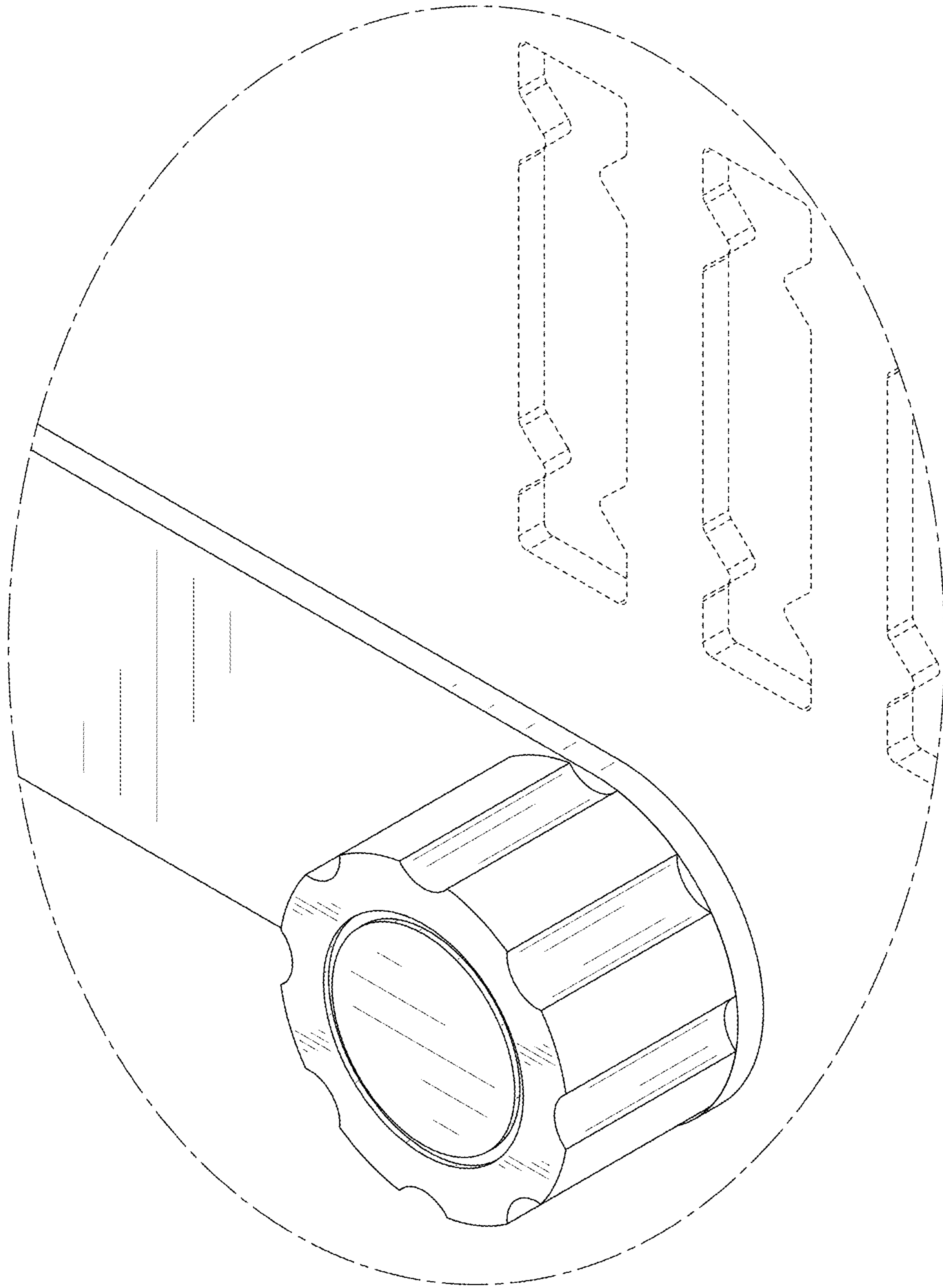


FIG. 9