



US00D975235S

(12) **United States Design Patent**
Xu

(10) **Patent No.:** **US D975,235 S**
(45) **Date of Patent:** **** Jan. 10, 2023**

- (54) **ELECTRIC BUG ZAPPING RACKET**
- (71) Applicant: **Hunan Rongchuangzhiyuan Network Technology Co., Ltd., Hengyang (CN)**
- (72) Inventor: **Yehui Xu, Xinhua (CN)**
- (**) Term: **15 Years**
- (21) Appl. No.: **29/791,249**
- (22) Filed: **Jan. 6, 2022**
- (51) **LOC (14) Cl.** **22-06**
- (52) **U.S. Cl.**
USPC **D22/123**
- (58) **Field of Classification Search**
USPC D22/123-124; 43/112; D21/305,
D21/724-725, 729
CPC A01M 3/02; A01M 3/025; A01M 29/00;
A01M 29/34
See application file for complete search history.

(56) **References Cited**

U.S. PATENT DOCUMENTS

D516,159 S *	2/2006	Himberger	D22/124
D518,867 S *	4/2006	Dow	D22/124
D675,283 S	1/2013	Dooley et al.		
D807,984 S	1/2018	Borovicka et al.		
D918,333 S	5/2021	Qiu		
D950,003 S *	4/2022	Zhong	D22/123
2010/0088947 A1 *	4/2010	Mars	A01M 3/025 43/112
2010/0162615 A1 *	7/2010	Keralla	A01M 3/025 43/112

OTHER PUBLICATIONS

https://www.amazon.com/MOSQZAP-Electric-Mosquitoes-Flashlight-Protection/dp/B09P316ZDV/ref=cm_cr_ar_p_d_pl_foot_top?ie=UTF8&th=1 earliest review/inquiry listed May 13, 2021 (Year: 2021).*

https://www.amazon.com/ask/questions/asin/B09P316ZDV/3/ref=ask_ql_psf_ql_hza?isAnswered=true (Year: 2021).*

* cited by examiner

Primary Examiner — Catherine R Oliver-Garcia
(74) *Attorney, Agent, or Firm* — Runit Ranjit Kanakia

(57) **CLAIM**

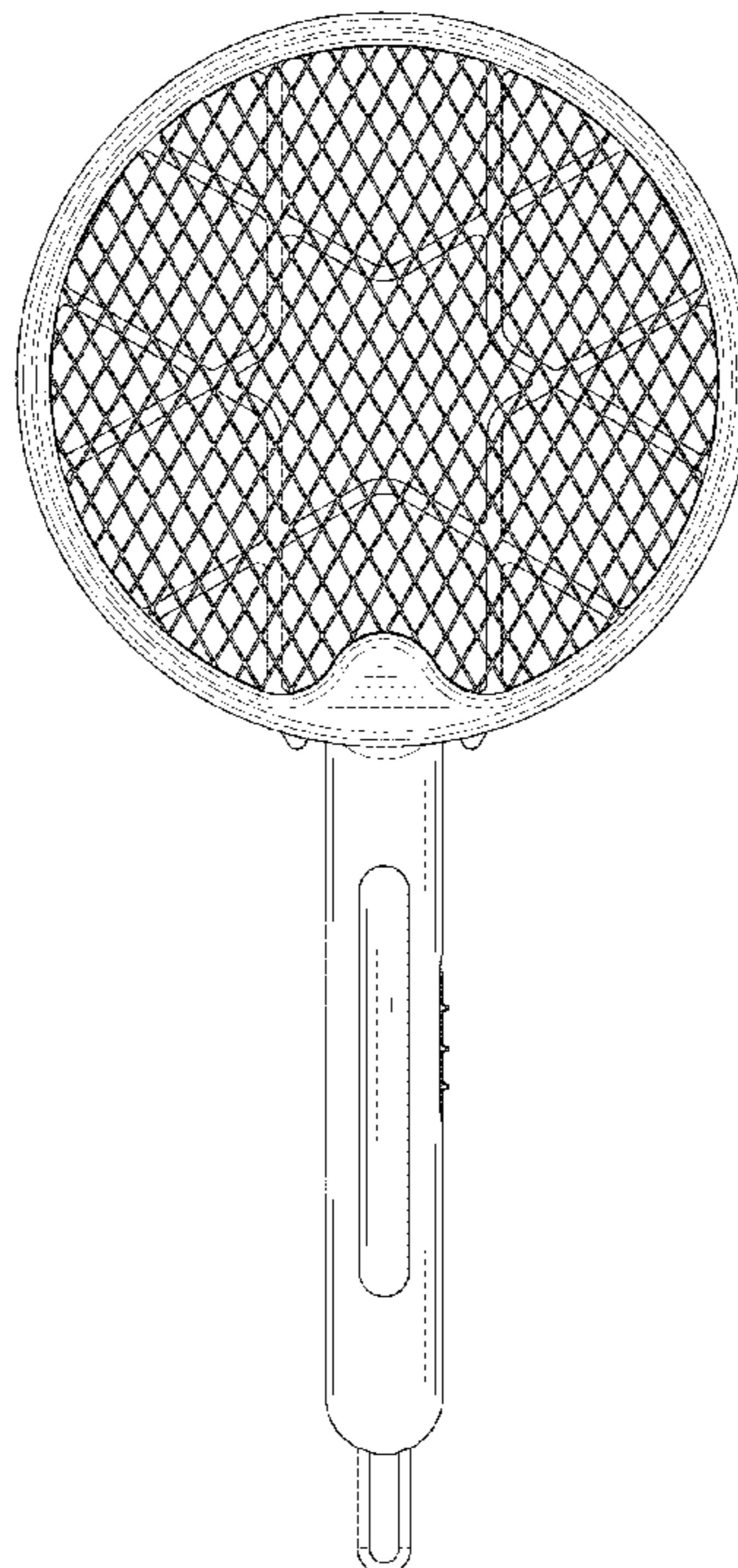
The ornamental design for an electric bug zapping racket, as shown and described.

DESCRIPTION

FIG. 1 is a perspective view of an electric bug zapping racket showing my new design;
 FIG. 2 is a front view thereof;
 FIG. 3 is a back view thereof;
 FIG. 4 is a left side view thereof;
 FIG. 5 is a right side view thereof;
 FIG. 6 is a top view thereof;
 FIG. 7 is a bottom view thereof;
 FIG. 8 is a perspective view of another state of the electric bug zapping racket thereof;
 FIG. 9 is an enlarged view of the selected portion in FIG. 1; and,
 FIG. 10 is an enlarged view of the selected portion in FIG. 1.

The broken lines shown in the drawings depict portions of the electric bug zapping racket in which the design is embodied that form no part of the claimed design. The dot-dash broken lines represent the boundaries of the enlarged portions and form no part of the claimed design.

1 Claim, 10 Drawing Sheets



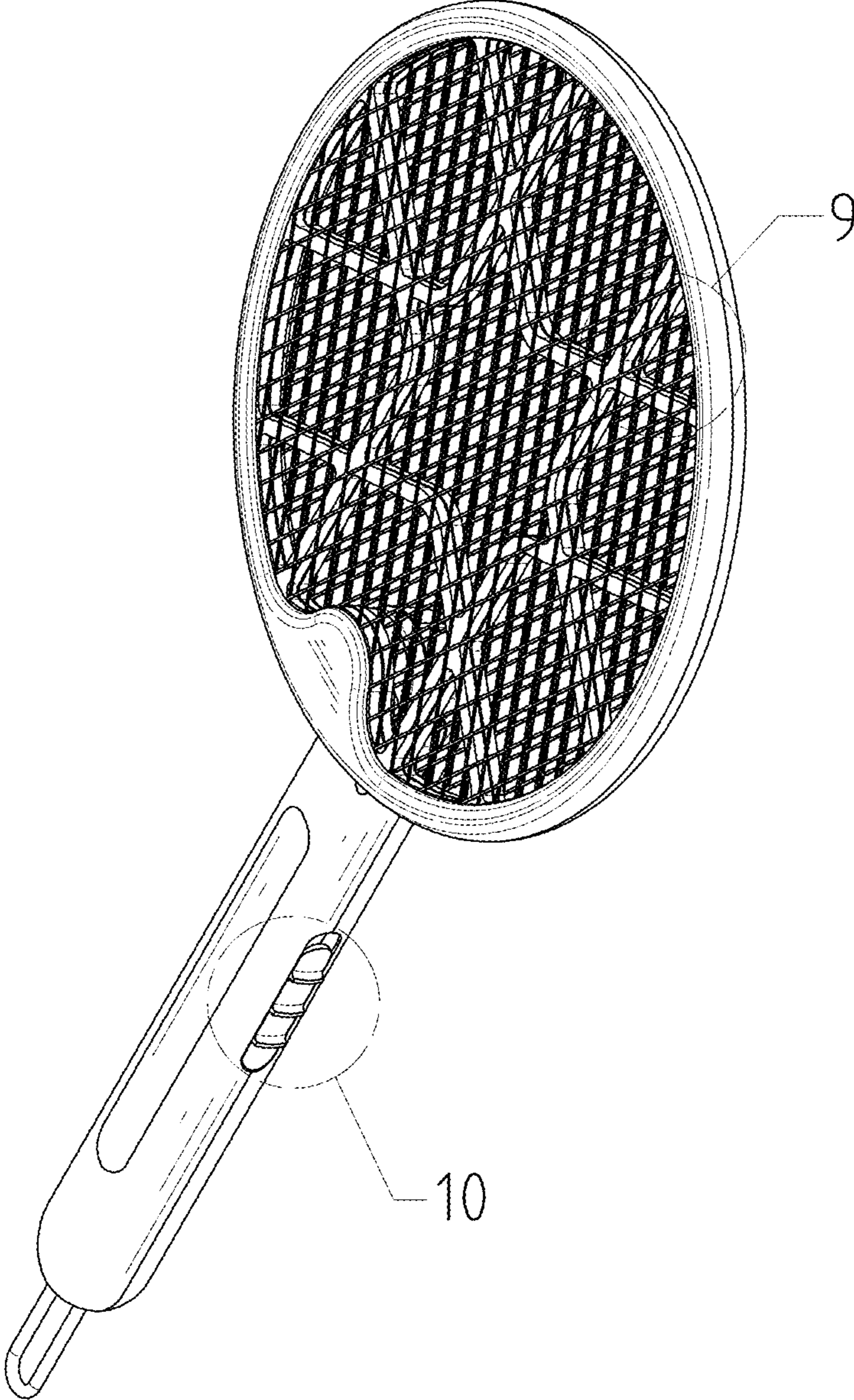


FIG. 1

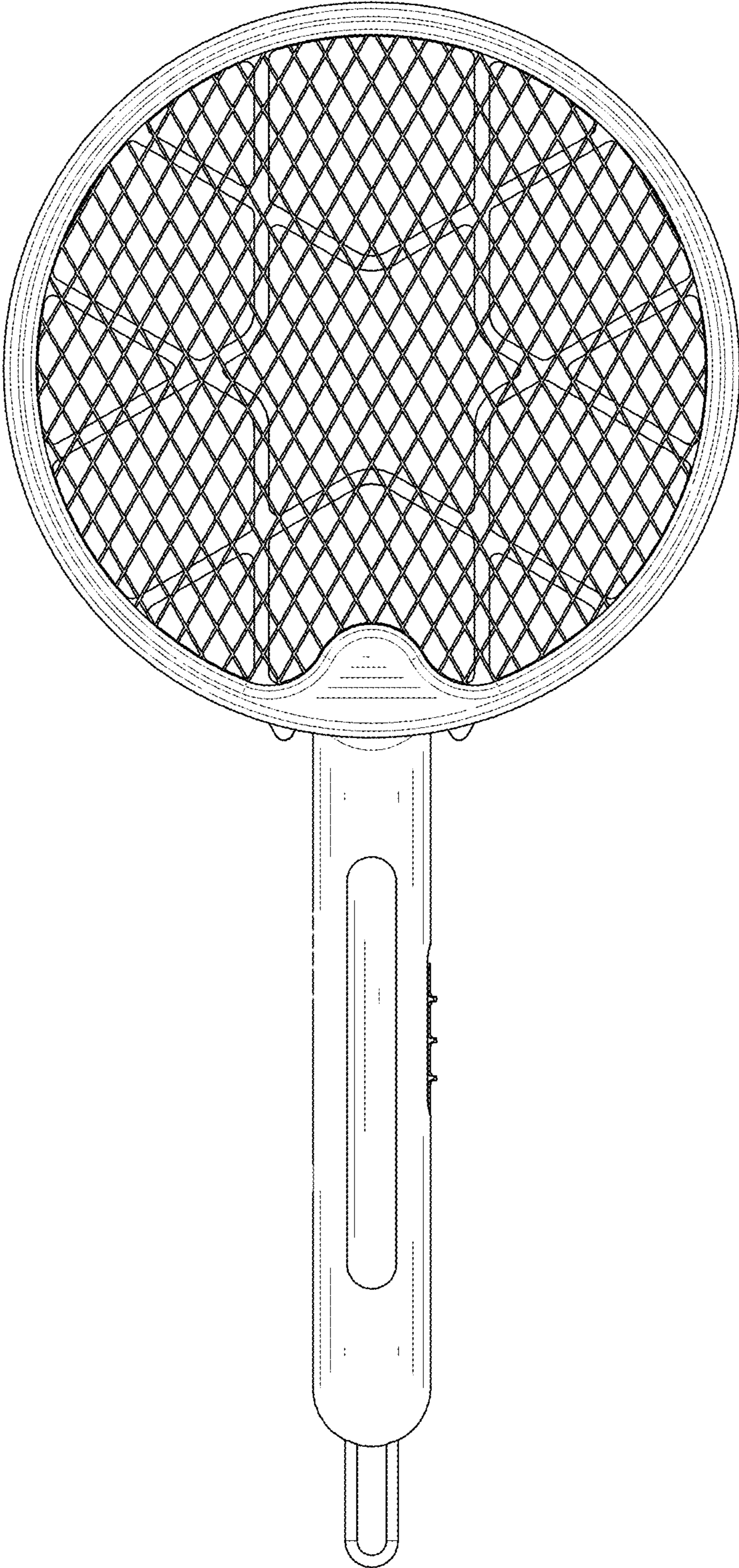


FIG. 2

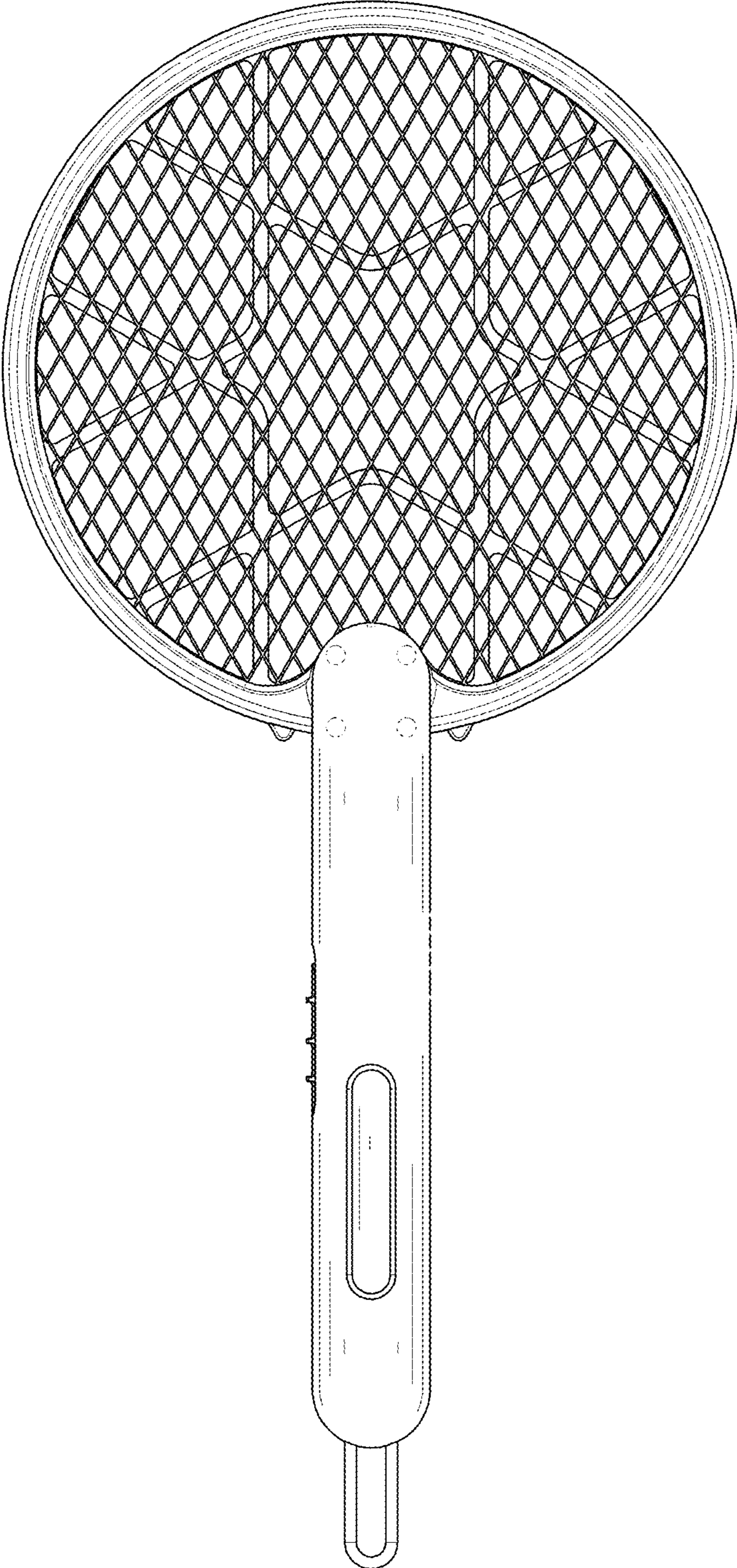


FIG. 3

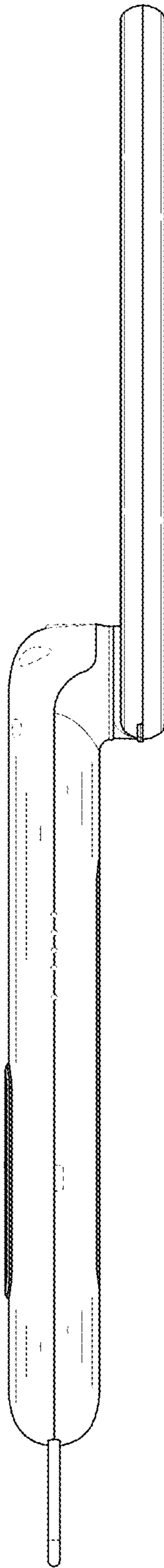


FIG. 4

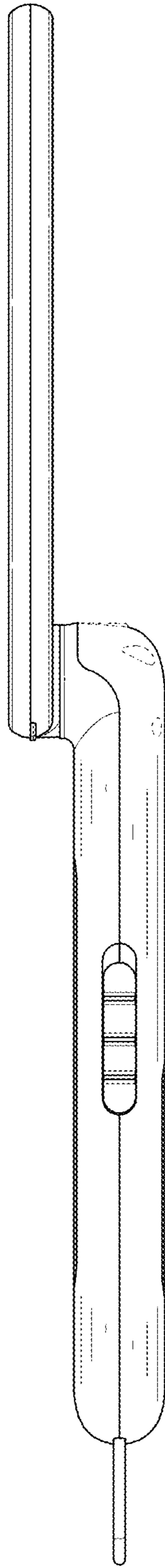


FIG. 5

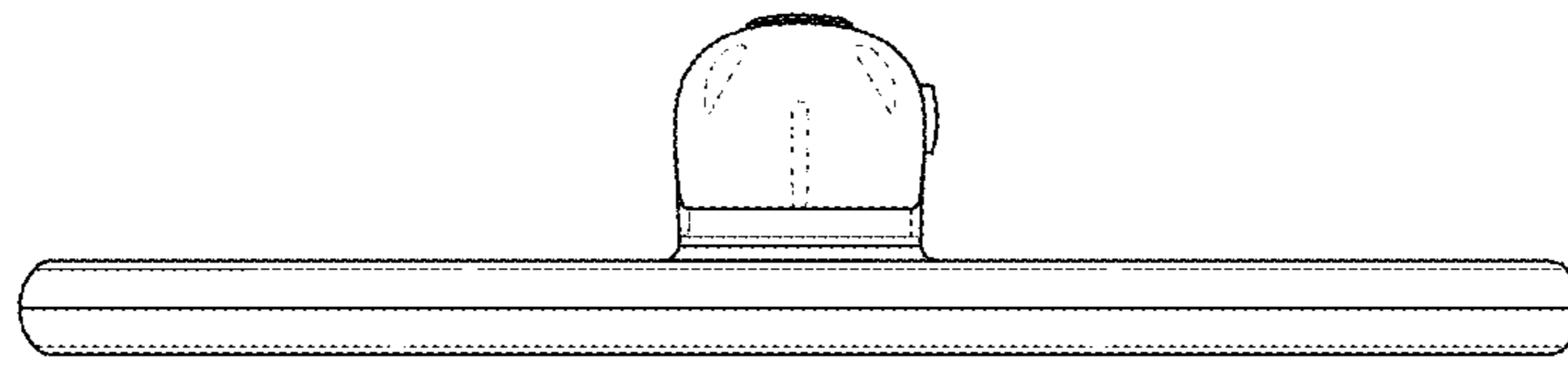


FIG. 6

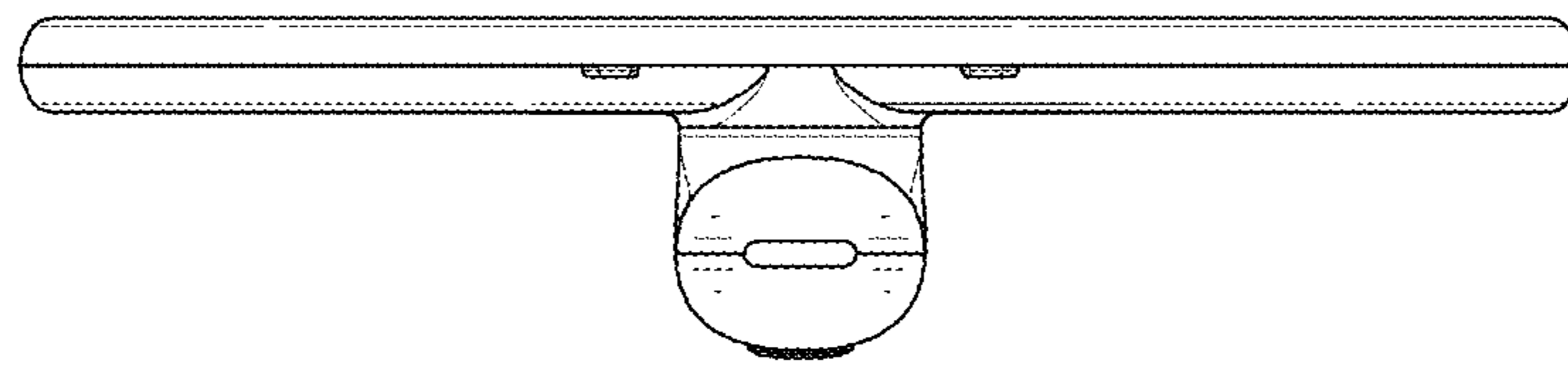


FIG. 7

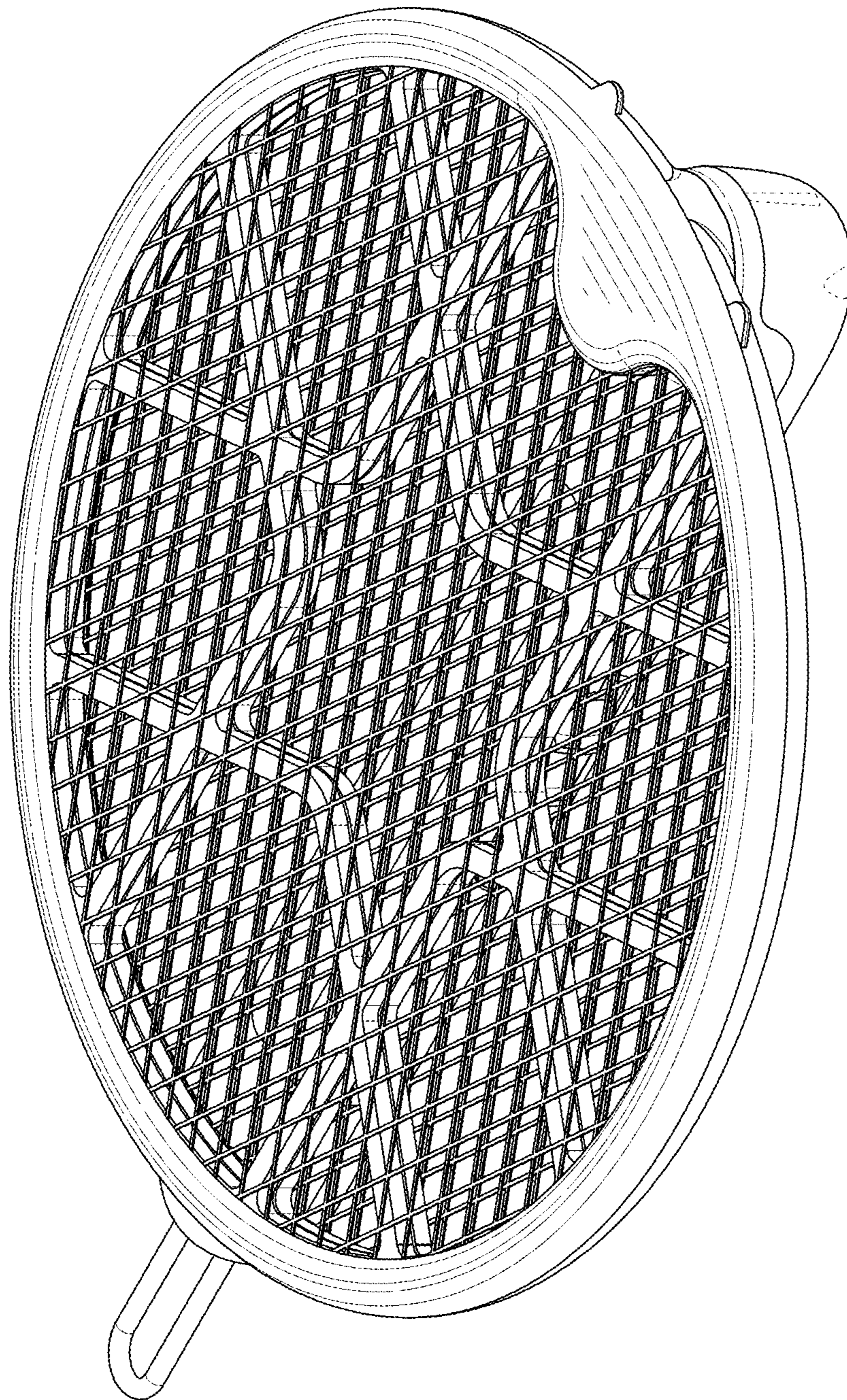


FIG. 8

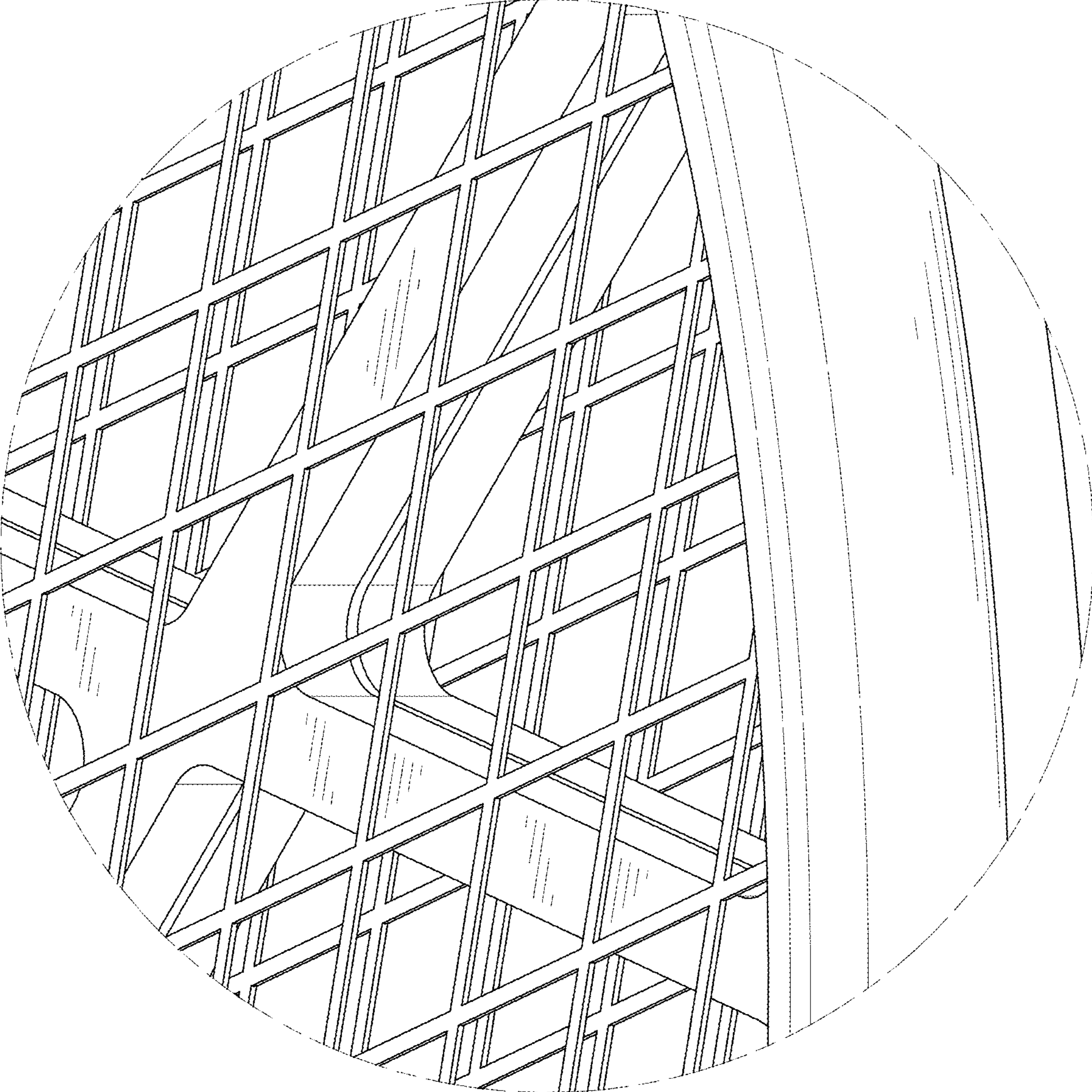


FIG. 9

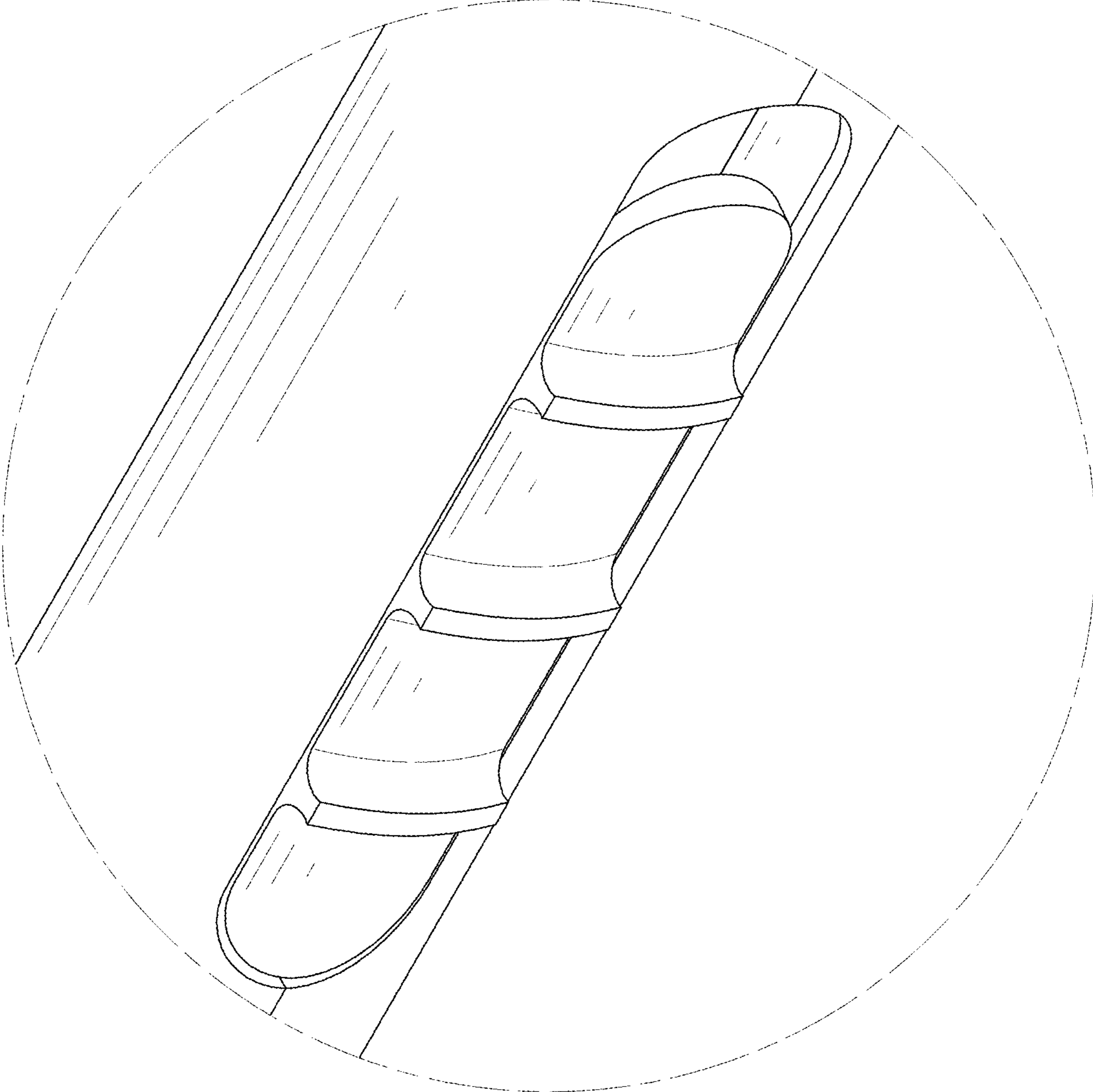


FIG. 10