



US00D975234S

(12) **United States Design Patent** (10) **Patent No.:** **US D975,234 S**  
**Bogacz et al.** (45) **Date of Patent:** **\*\* \*Jan. 10, 2023**

(54) **PORTION OF A SELF-DEFENSE DEVICE**

(71) Applicants: **Dominik Paul Bogacz**, Crystal Lake, IL (US); **James T Sorgani**, Cary, IL (US)

(72) Inventors: **Dominik Paul Bogacz**, Crystal Lake, IL (US); **James T Sorgani**, Cary, IL (US)

(\*) Notice: This patent is subject to a terminal disclaimer.

(\*\*) Term: **15 Years**

(21) Appl. No.: **29/764,782**

(22) Filed: **Jan. 2, 2021**

(51) **LOC (14) Cl.** ..... **22-02**

(52) **U.S. Cl.**  
USPC ..... **D22/117**

(58) **Field of Classification Search**  
USPC ..... D22/117, 118; D3/7, 207–210; D10/104.1  
CPC ..... F41H 9/10; F16B 2/22; F21V 33/0064; F21L 4/005; F21L 13/008  
See application file for complete search history.

(56) **References Cited**

**U.S. PATENT DOCUMENTS**

D133,280 S *	8/1942	Karoff .....	D22/118
D285,861 S *	9/1986	Jackson .....	D3/7
5,897,026 A *	4/1999	Vester .....	F41H 9/10
			222/5
6,052,051 A *	4/2000	Whalen .....	F41H 9/10
			222/1
6,439,432 B1 *	8/2002	Park .....	F41H 9/10
			222/113
D573,223 S *	7/2008	Kostal .....	D22/117
D730,039 S *	5/2015	Kizaki .....	D3/7
10,054,305 B1 *	8/2018	Slepack .....	F41H 9/10

(Continued)

**OTHER PUBLICATIONS**

Expandable Bear Spray Holster . . . [https://fhfgear.com/products/expandable-bear-spray-holster?currency=USD&variant=31322525433890&utm\\_medium=cpc&utm\\_source=google&utm\\_campaign=Google%20Shopping](https://fhfgear.com/products/expandable-bear-spray-holster?currency=USD&variant=31322525433890&utm_medium=cpc&utm_source=google&utm_campaign=Google%20Shopping) (Year: 2018).\*

(Continued)

*Primary Examiner* — Catherine R Oliver-Garcia  
(74) *Attorney, Agent, or Firm* — KandareIP, LLC;  
Anthony W. Kandare

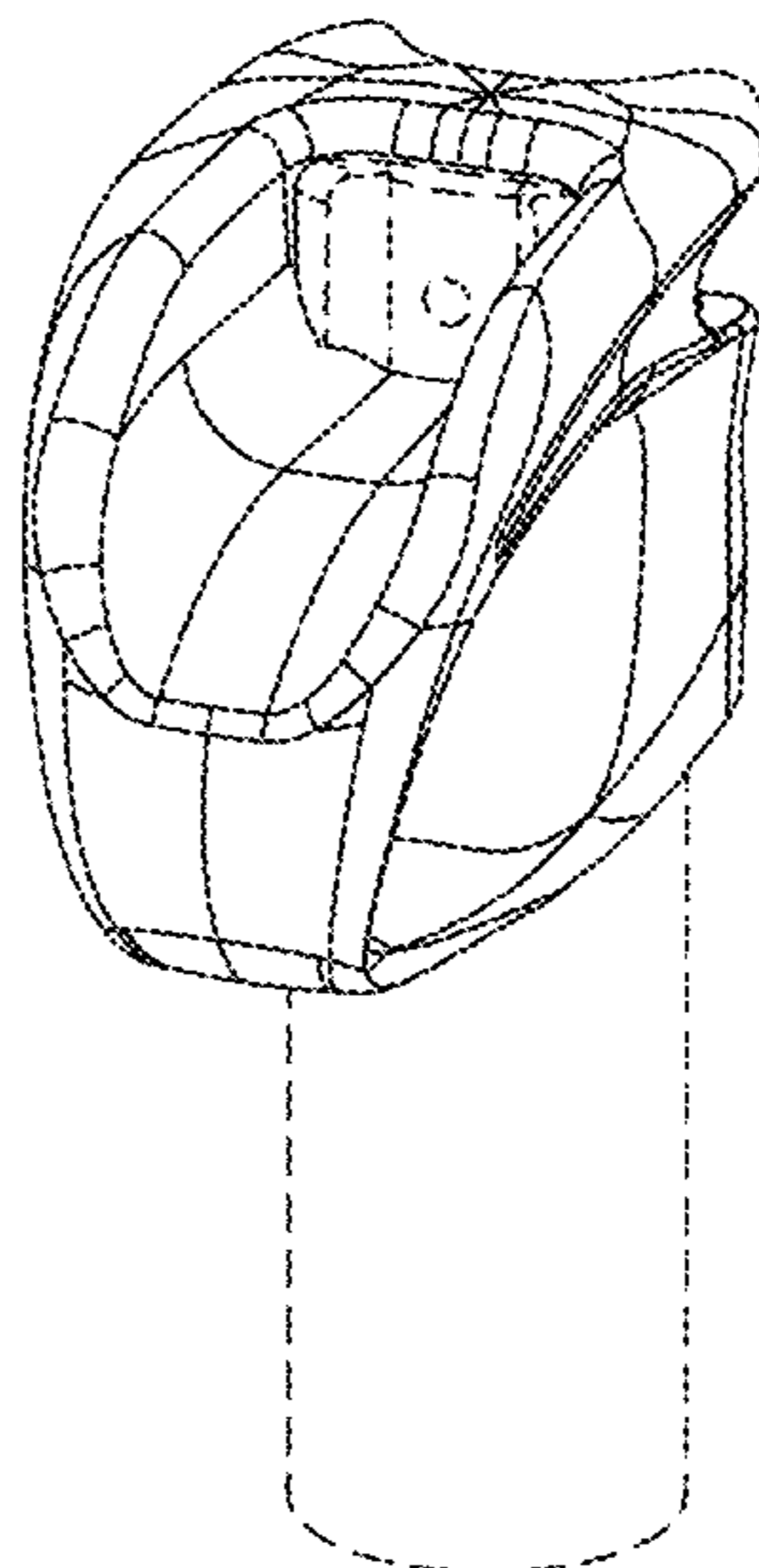
(57) **CLAIM**

The ornamental design for a portion of a self-defense device, as shown and described.

**DESCRIPTION**

This application is related to previously filed provisional patent application numbered 62/955,415, filed on Dec. 31, 2019, entitled “Repellent Spray Holder with Precision Target Grip, Finger(s) Guard, Stream Protecting Channel and Sharp Spike to Collect the DNA Sample of the Offender” by Dominik Paul Bogacz; Utility patent application Ser. No. 17/140,068, filed on Jan. 2, 2021, entitled “Rapid Response Self-Defense Device, System and Method;” and previously filed design patent application Ser. No. 29/764,764, filed on Dec. 31, 2021, entitled Portion of a Self-Defense Device. FIG. 1 is a top, front and left perspective view of a portion of a self-defense device showing our new design; FIG. 2 is a top, front and left perspective view thereof; FIG. 3 is a front and left perspective view thereof; FIG. 4 is a top, front and right perspective view thereof; FIG. 5 is a top, front and right perspective view thereof; FIG. 6 is a front and right perspective view thereof; FIG. 7 is a left perspective view thereof; FIG. 8 is a right perspective view thereof; and, FIG. 9 is a bottom, left and rear perspective view thereof. The broken line showing of the repellent spray container and sprayer is for illustrative purposes only and forms no part of the claimed design.

**1 Claim, 9 Drawing Sheets**



(56)

**References Cited**

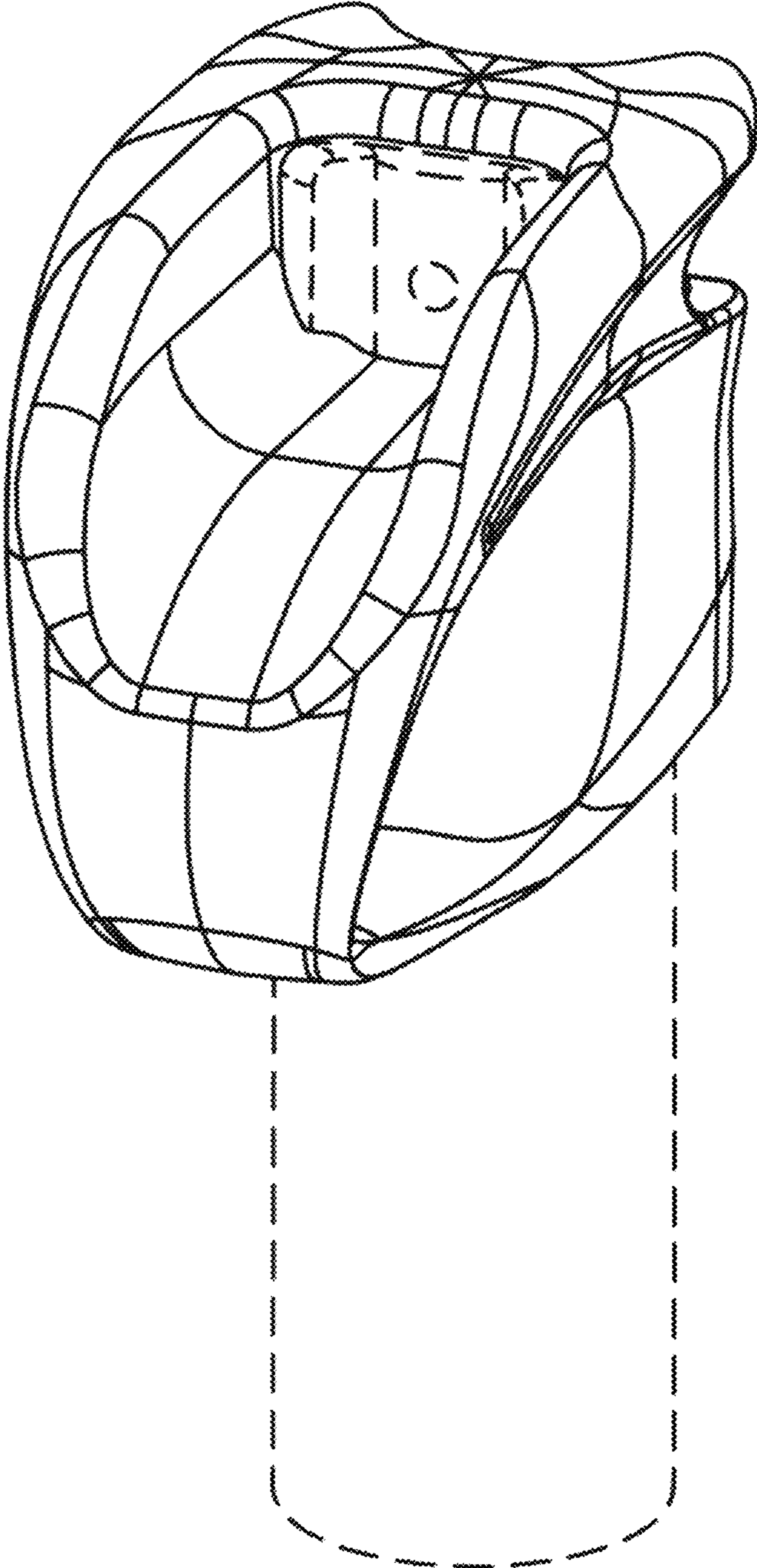
U.S. PATENT DOCUMENTS

D838,337 S \* 1/2019 Frisk ..... D22/117  
10,197,358 B2 \* 2/2019 Hebden ..... F41H 9/10  
10,520,282 B2 \* 12/2019 Nangunoori ..... F41H 9/10  
D887,520 S \* 6/2020 Nance ..... D22/117  
D890,287 S \* 7/2020 Hymowitz ..... D22/117

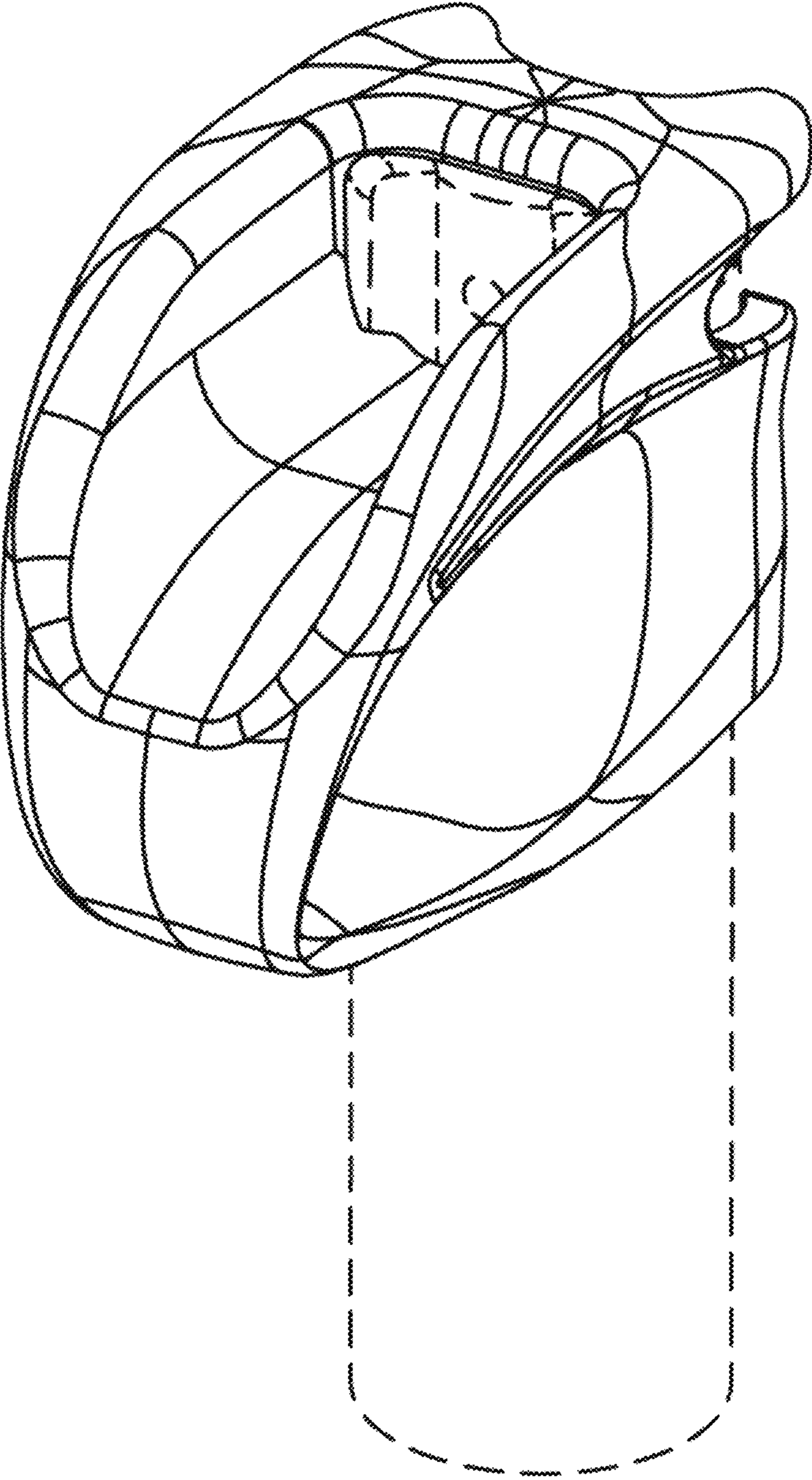
OTHER PUBLICATIONS

Counter Assault Bear Deterrent Spray with Holsters . . . [https://www.rei.com/product/154928/counter-assault-bear-deterrent-spray-with-holsters-value-package-of-2?CAWELAID=120217890006623853&CAGPSPN=pla&CAAGID=100913263117&CATCI=pla-447612903725&cm\\_mmc=PLA\\_Google%7C21700000001700551\\_1549280001%7C92700053582447612903725&cm\\_mmc=PLA\\_Google%7C21700000001700551\\_1549280001%7C92700053582162141%7CTOF%7C71700000066692708&gclid=EAlalQobChMl7d26h-mf8wIVi7flCh0yJQEIEAsYByABEgJbyPD\\_BwE&gclsrc=aw.ds](https://www.rei.com/product/154928/counter-assault-bear-deterrent-spray-with-holsters-value-package-of-2?CAWELAID=120217890006623853&CAGPSPN=pla&CAAGID=100913263117&CATCI=pla-447612903725&cm_mmc=PLA_Google%7C21700000001700551_1549280001%7C92700053582447612903725&cm_mmc=PLA_Google%7C21700000001700551_1549280001%7C92700053582162141%7CTOF%7C71700000066692708&gclid=EAlalQobChMl7d26h-mf8wIVi7flCh0yJQEIEAsYByABEgJbyPD_BwE&gclsrc=aw.ds) (Year: 2020).\*

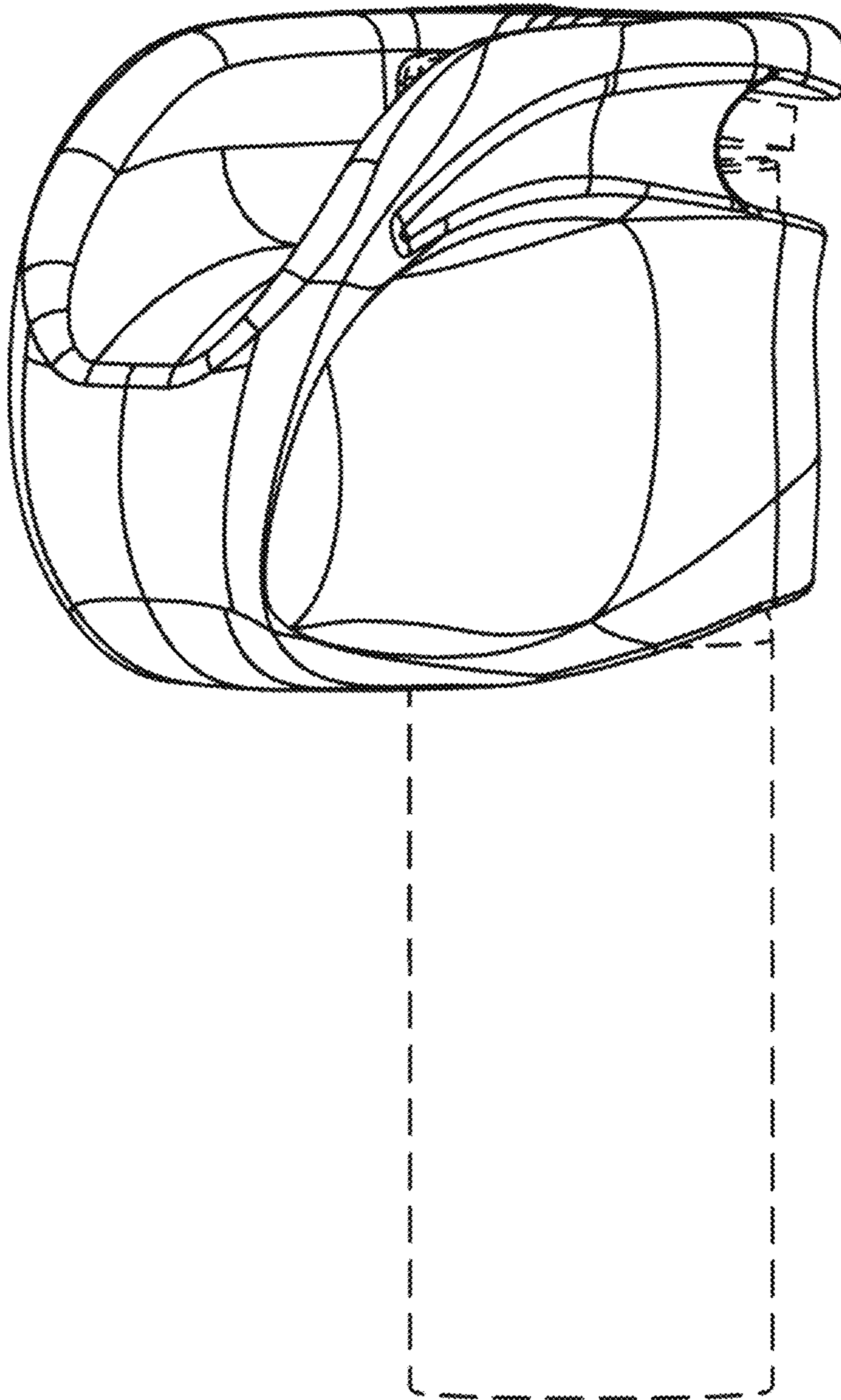
\* cited by examiner



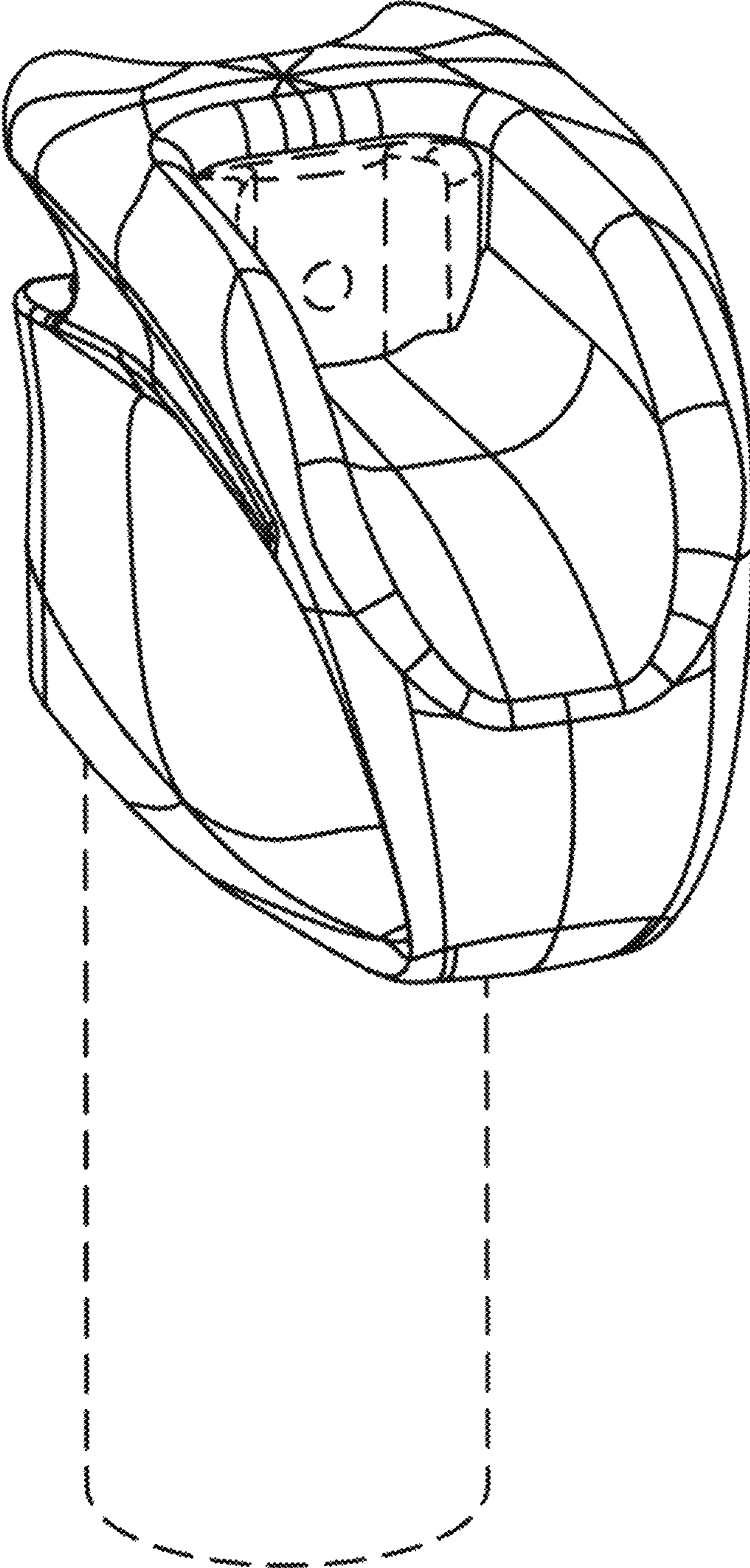
**FIGURE 1**



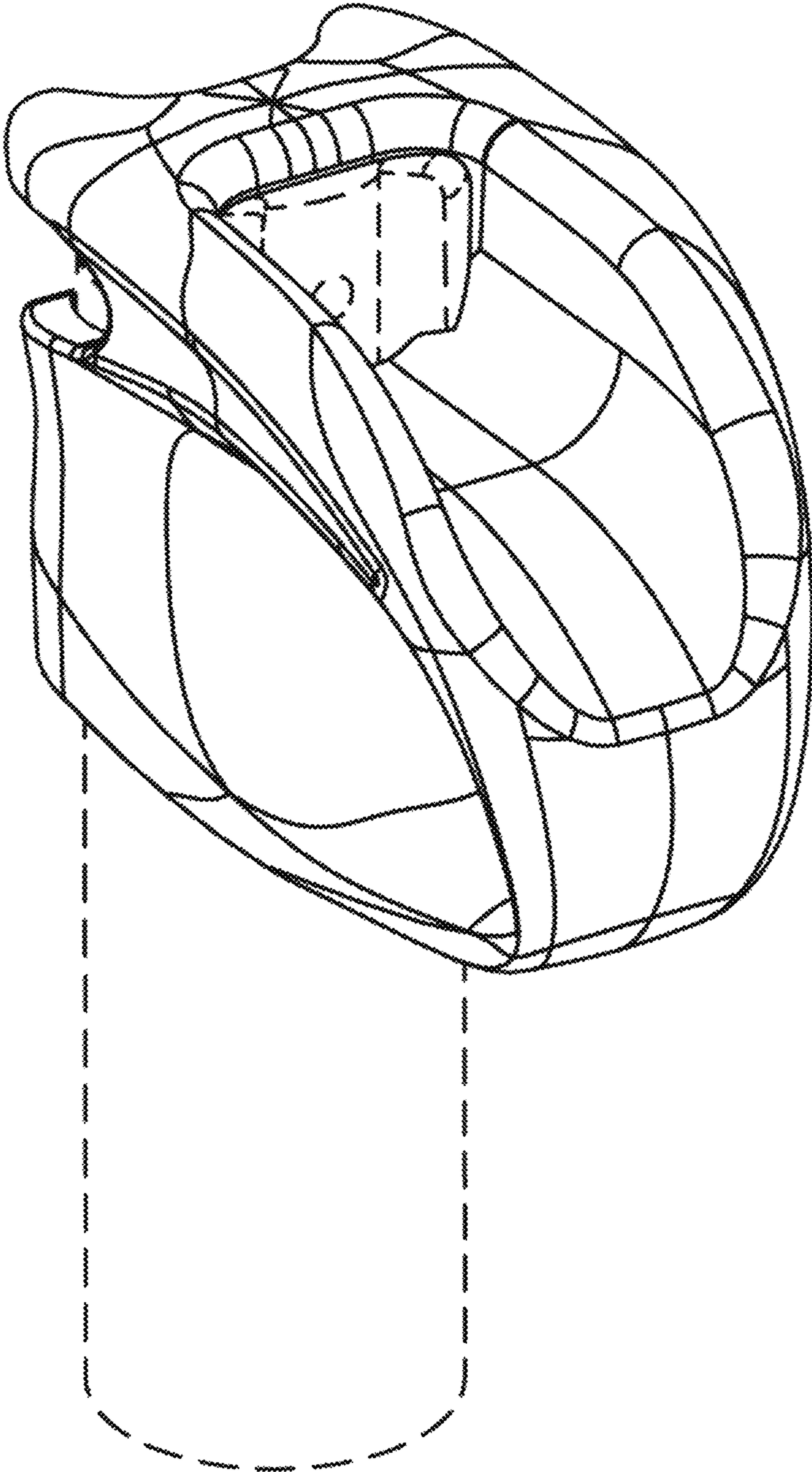
**FIGURE 2**



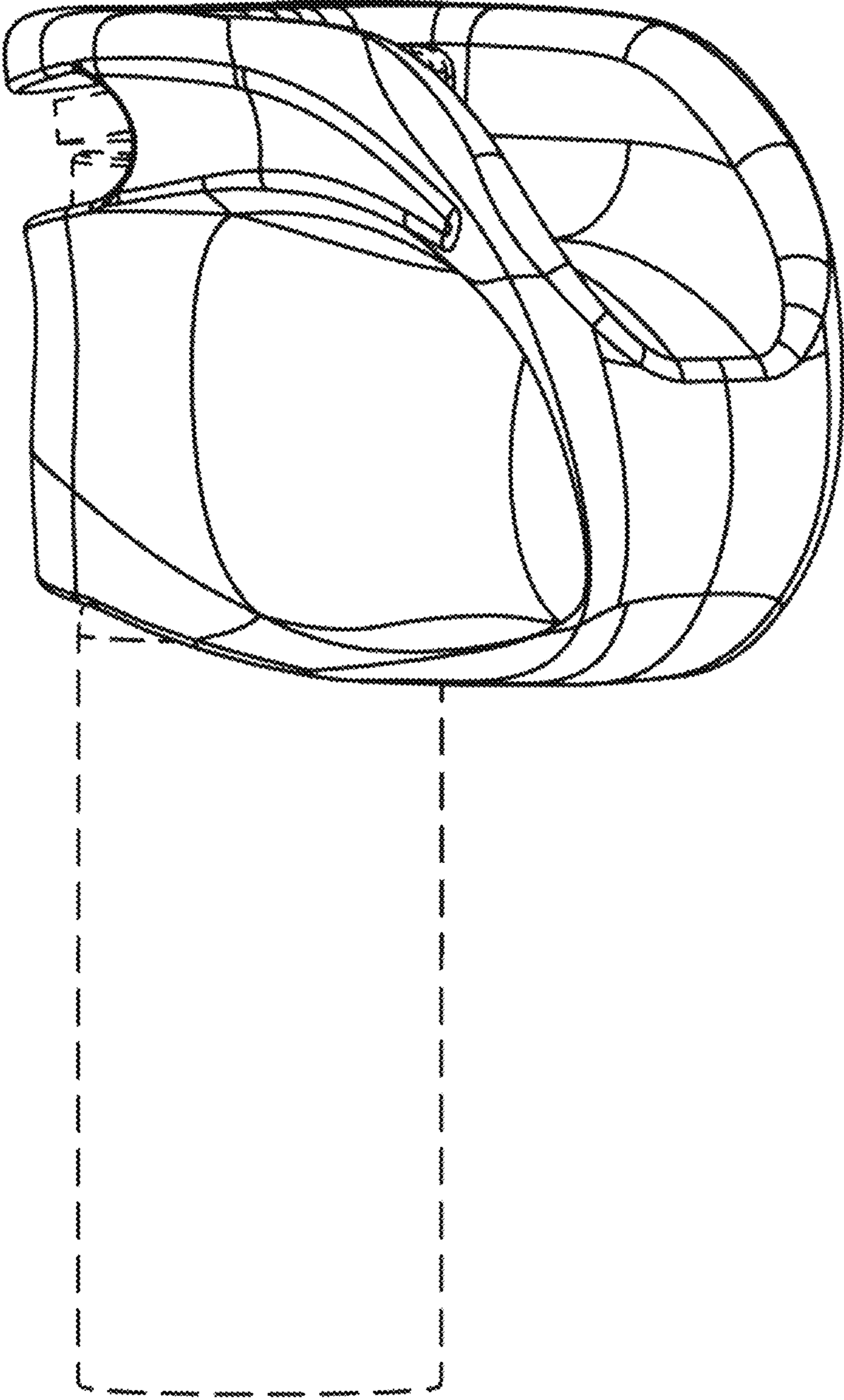
**FIGURE 3**



**FIGURE 4**

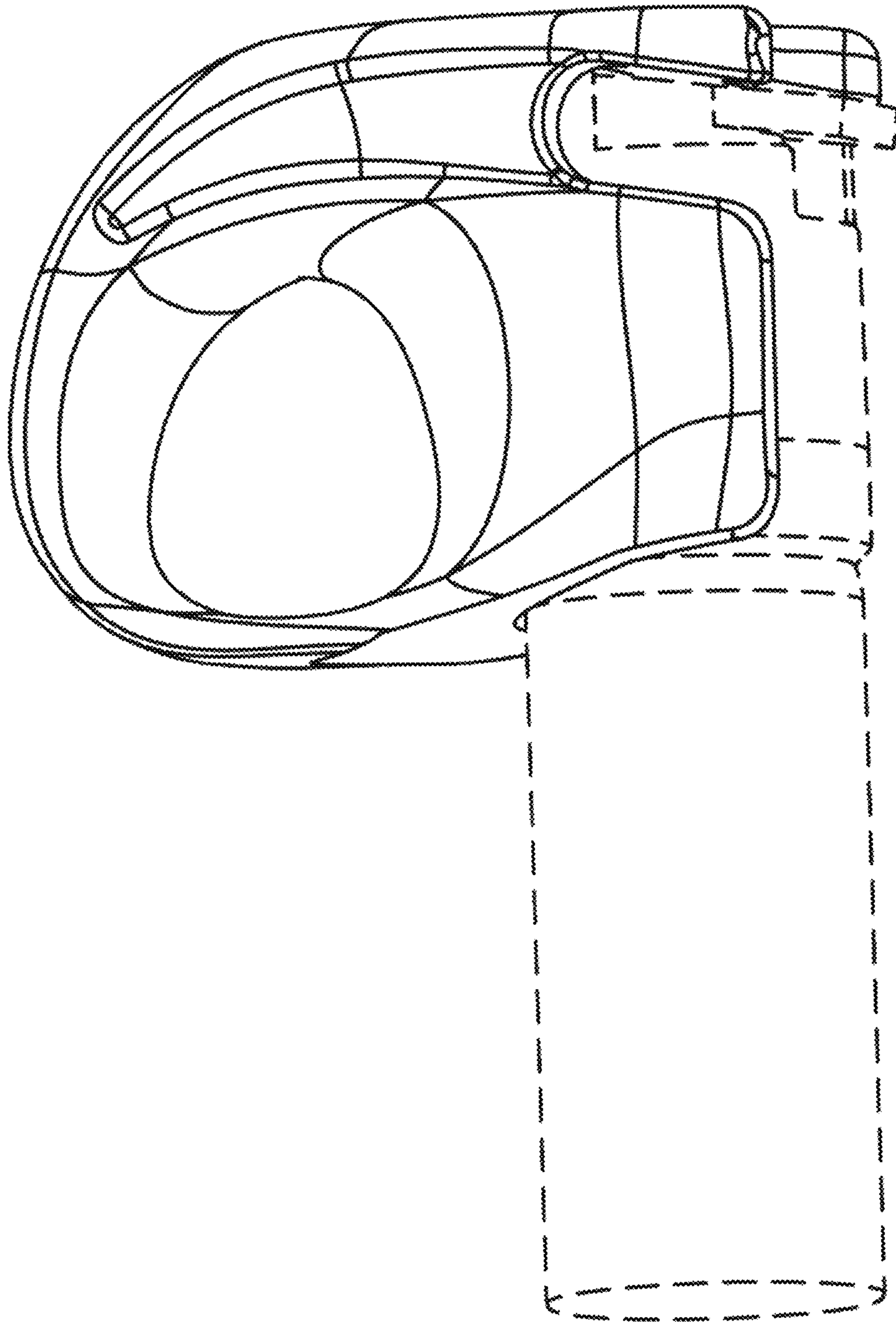


**FIGURE 5**

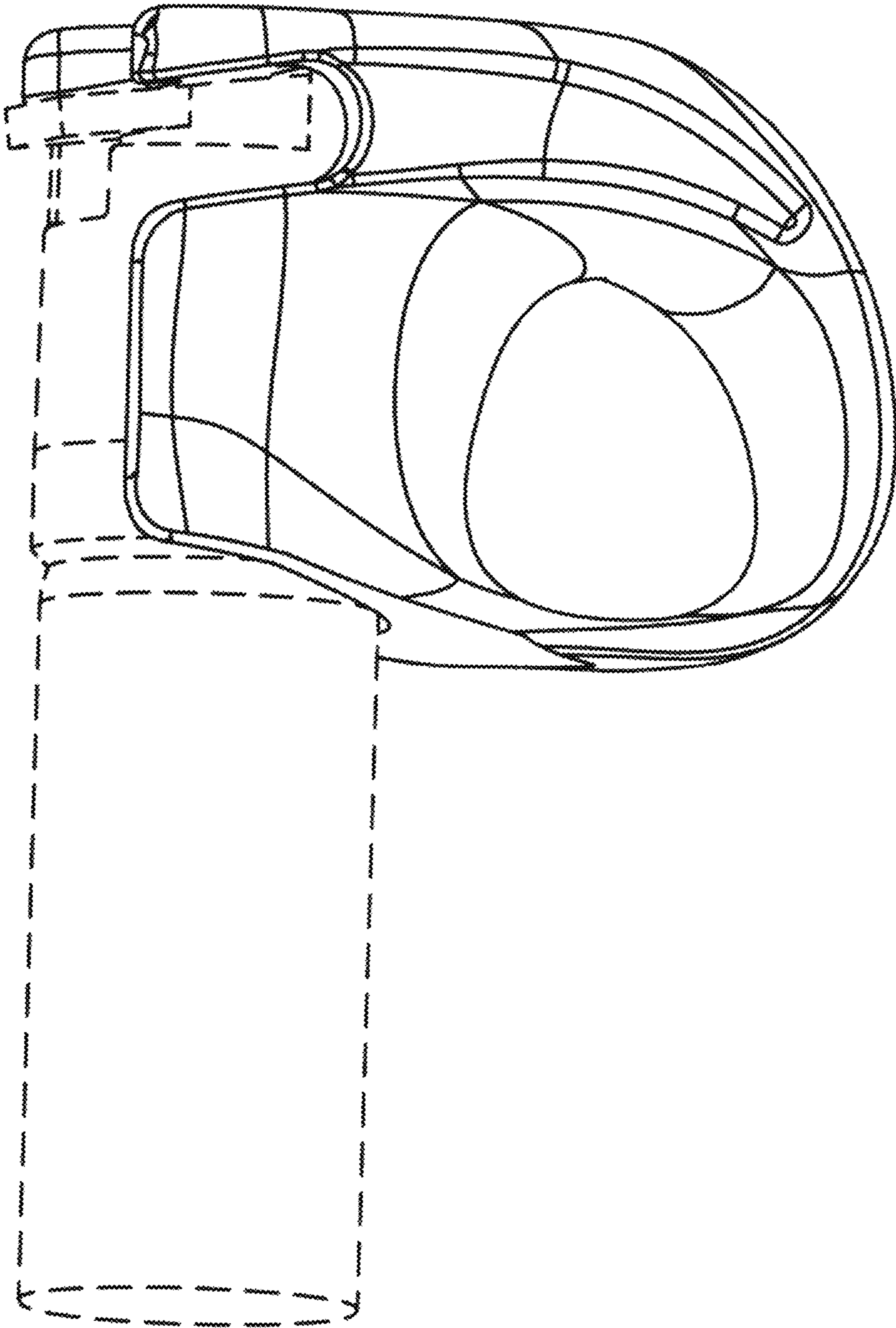


**FIGURE 6**

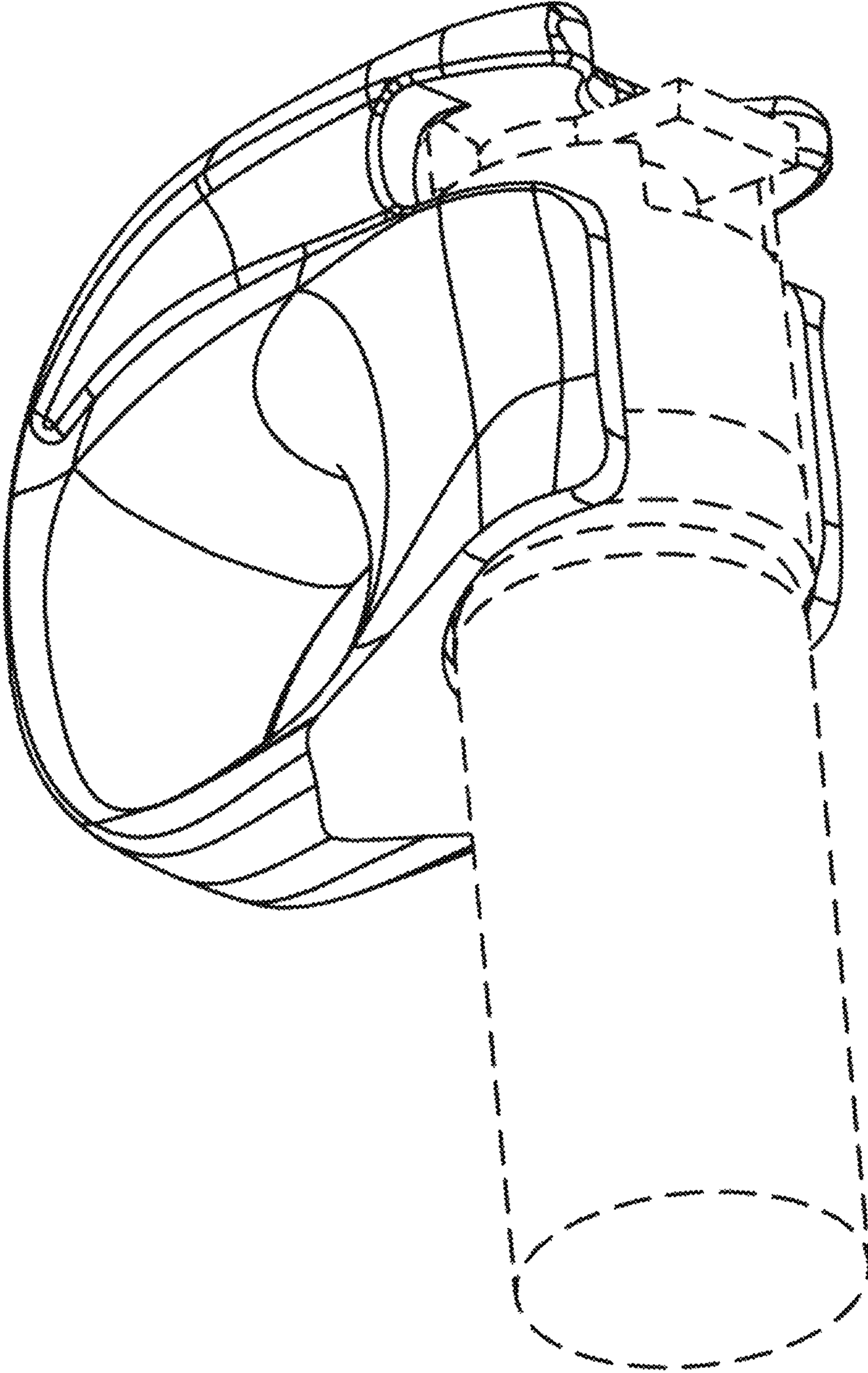




**FIGURE 7**



**FIGURE 8**



**FIGURE 9**