



US00D975233S

(12) **United States Design Patent** (10) **Patent No.:** **US D975,233 S**
Qian (45) **Date of Patent:** **** Jan. 10, 2023**

(54) **VERTICAL GUN RACK**

FOREIGN PATENT DOCUMENTS

(71) Applicant: **Yunqing Qian**, Guangdong (CN)

CN 307581958 * 10/2022

(72) Inventor: **Yunqing Qian**, Guangdong (CN)

OTHER PUBLICATIONS

(**) Term: **15 Years**

Magazine Mount. Raptor (online) 3 pgs. No Date Available. [Retrieved Oct. 22, 2022] <https://www.usaraptor.com/product/raptor-magazine-mount/> (Year: NA).*

(21) Appl. No.: **29/840,297**

* cited by examiner

(22) Filed: **May 27, 2022**

(51) **LOC (14) Cl.** **22-01**

Primary Examiner — Marie D. Fast Horse

(52) **U.S. Cl.**

Assistant Examiner — Jennifer Sierra Yosinski

USPC **D22/110**

(58) **Field of Classification Search**

USPC D6/552; D8/349; D22/108, 109, 110;
D14/263, 447; D13/108; 42/85, 106, 90,
42/99, 124; 89/37.01–41.22

(57) **CLAIM**

CPC F41C 27/22; F41C 33/0236; B60R 7/14;
A47B 81/005; F41A 23/18; F41A 35/00

The ornamental design for a vertical gun rack, as shown and described.

See application file for complete search history.

(56) **References Cited**

DESCRIPTION

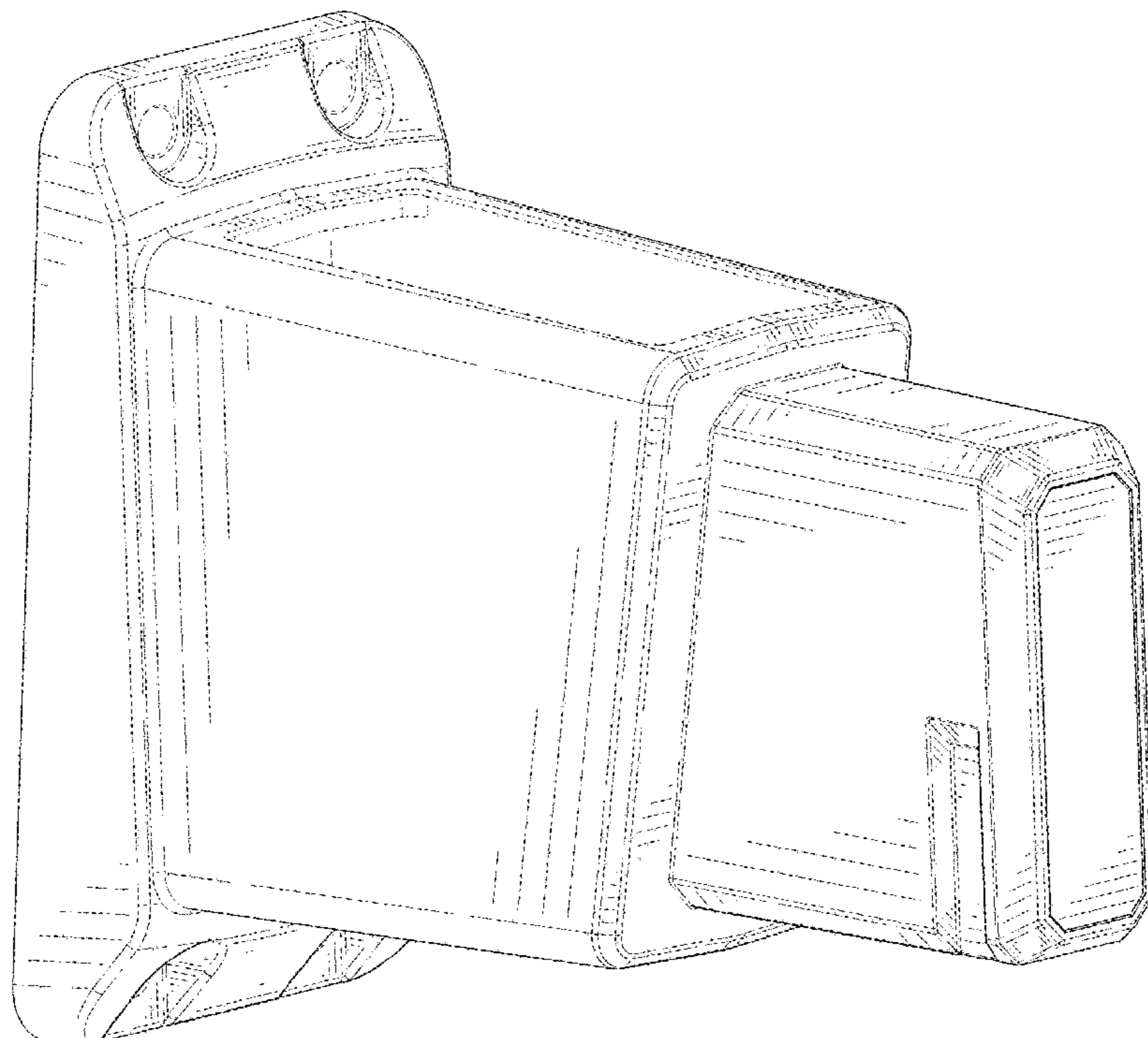
U.S. PATENT DOCUMENTS

D267,142 S	*	12/1982	Pollard	D7/637
D271,171 S	*	11/1983	Kinkade	D7/637
D820,616 S		6/2018	Nussbaum et al.		
D882,718 S	*	4/2020	Wu	D22/110
D917,000 S	*	4/2021	Huang	D22/108
D917,649 S	*	4/2021	Thomele	D22/108
D925,689 S	*	7/2021	He	D22/108
D926,283 S	*	7/2021	Wang	D22/108
D928,906 S	*	8/2021	Jin	D22/110
D938,541 S	*	12/2021	Xia	D22/108
D956,167 S	*	6/2022	Xu	D22/110
2015/0241162 A1	*	8/2015	Geraghty	F41A 35/02

42/6

FIG. 1 is a front and top perspective view of a vertical gun rack, showing my new design;
FIG. 2 is a rear and bottom perspective view thereof;
FIG. 3 is a front elevation view thereof;
FIG. 4 is a rear elevation view thereof;
FIG. 5 is a left side elevation view thereof;
FIG. 6 is a right side elevation view thereof;
FIG. 7 is a top plan view thereof; and,
FIG. 8 is a bottom plan view thereof.
The broken lines in the figures illustrate portions of the vertical gun rack that form no part of the claimed design.

1 Claim, 8 Drawing Sheets



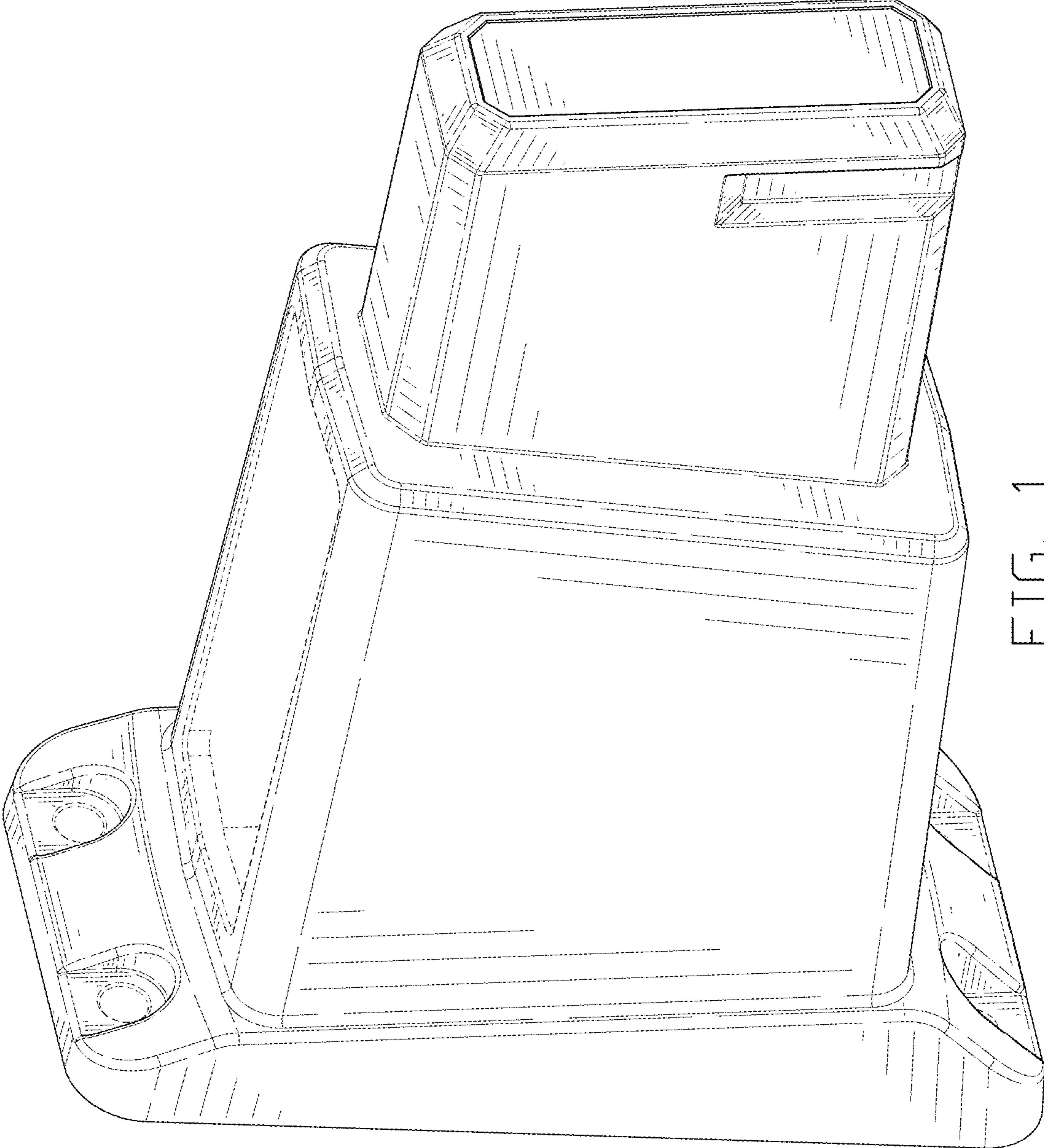


FIG. 1

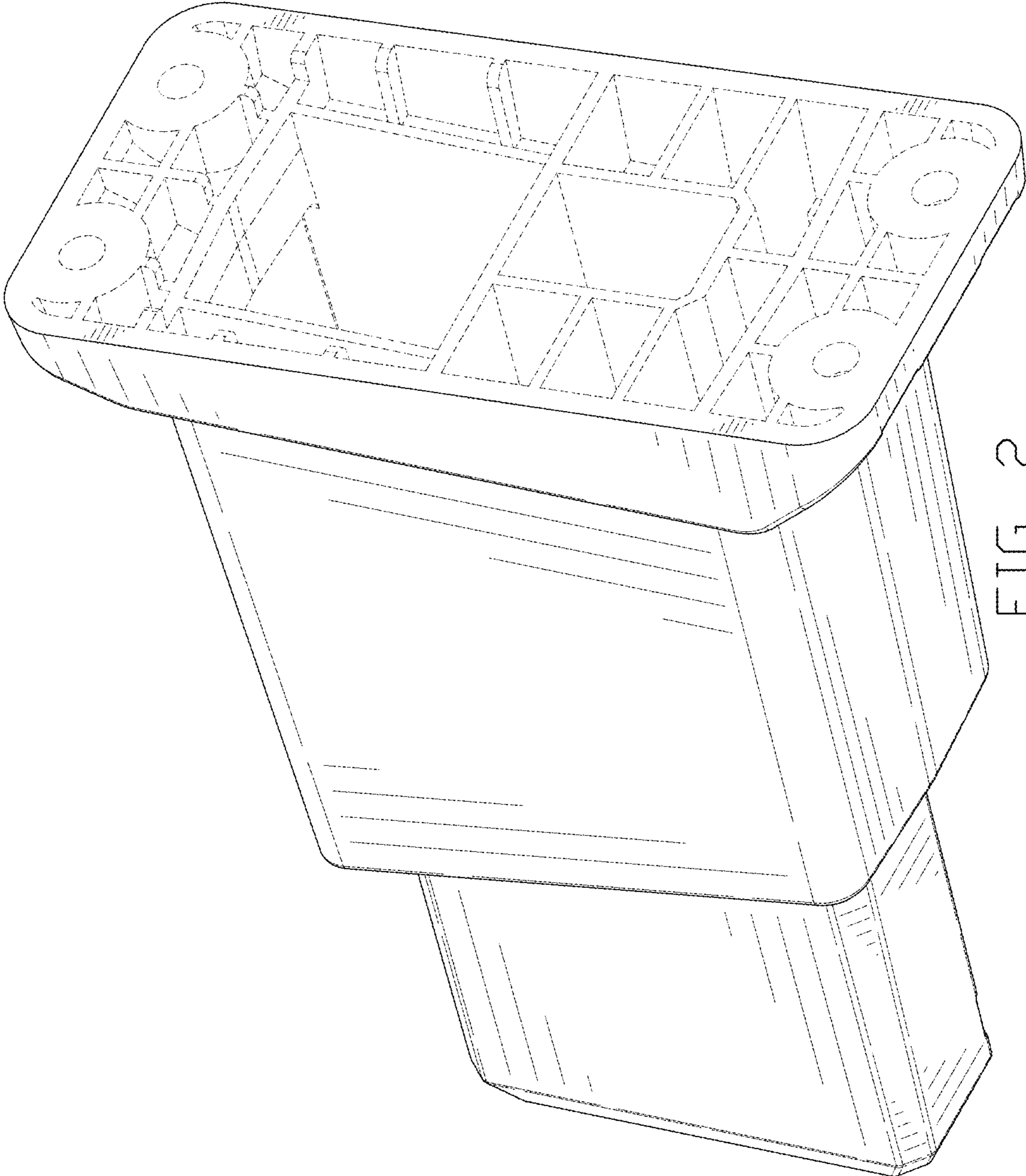


FIG. 2

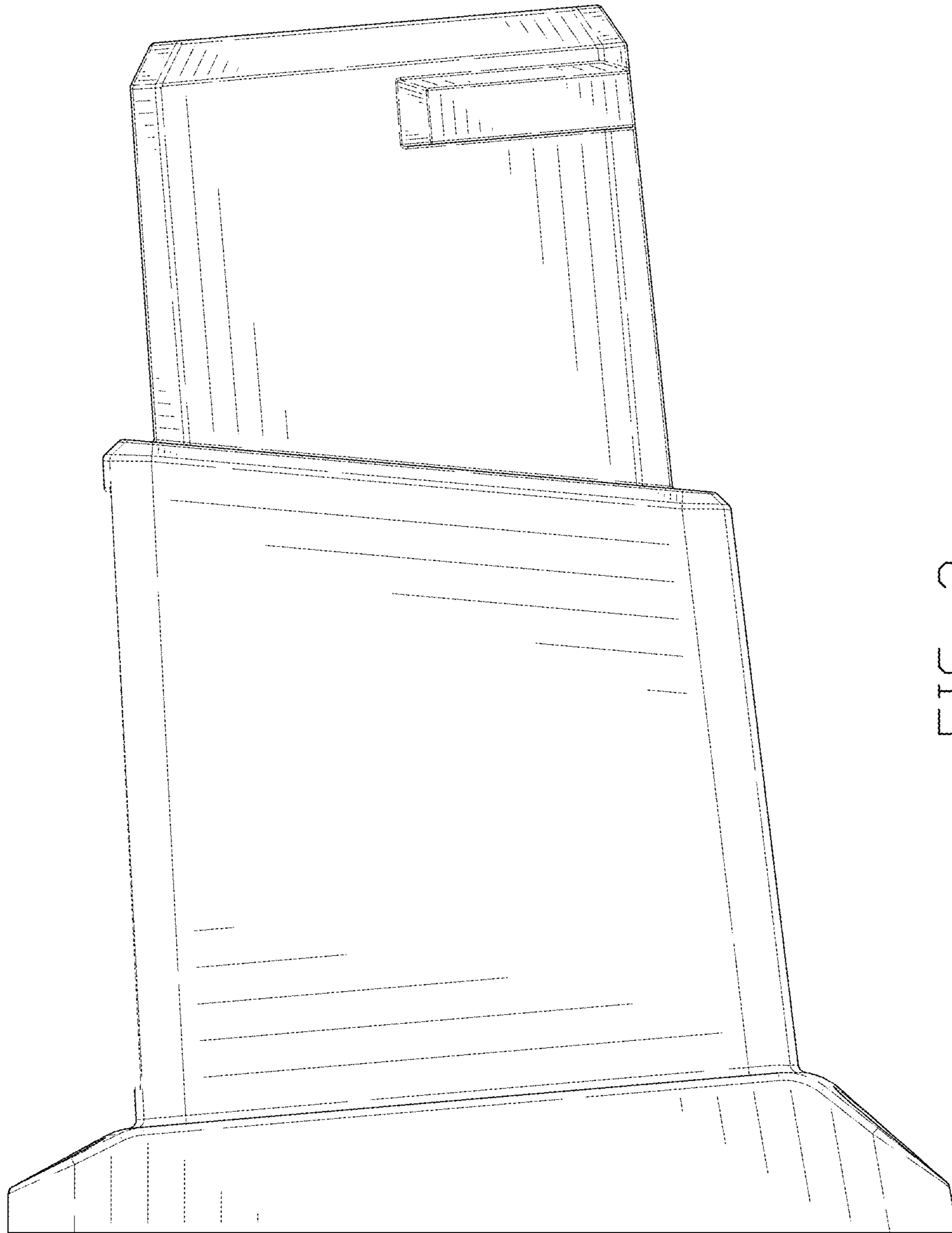


FIG. 3

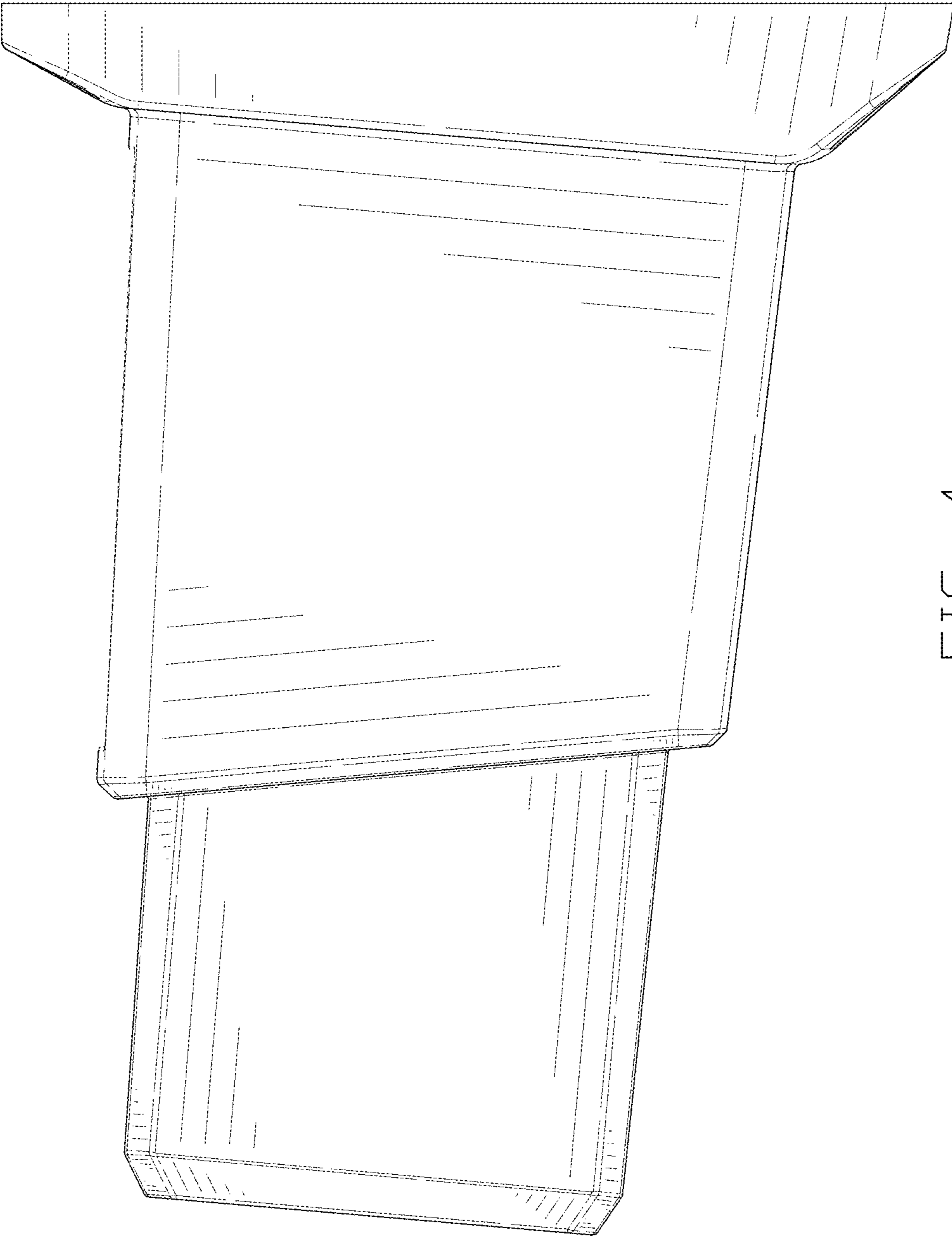


FIG. 4

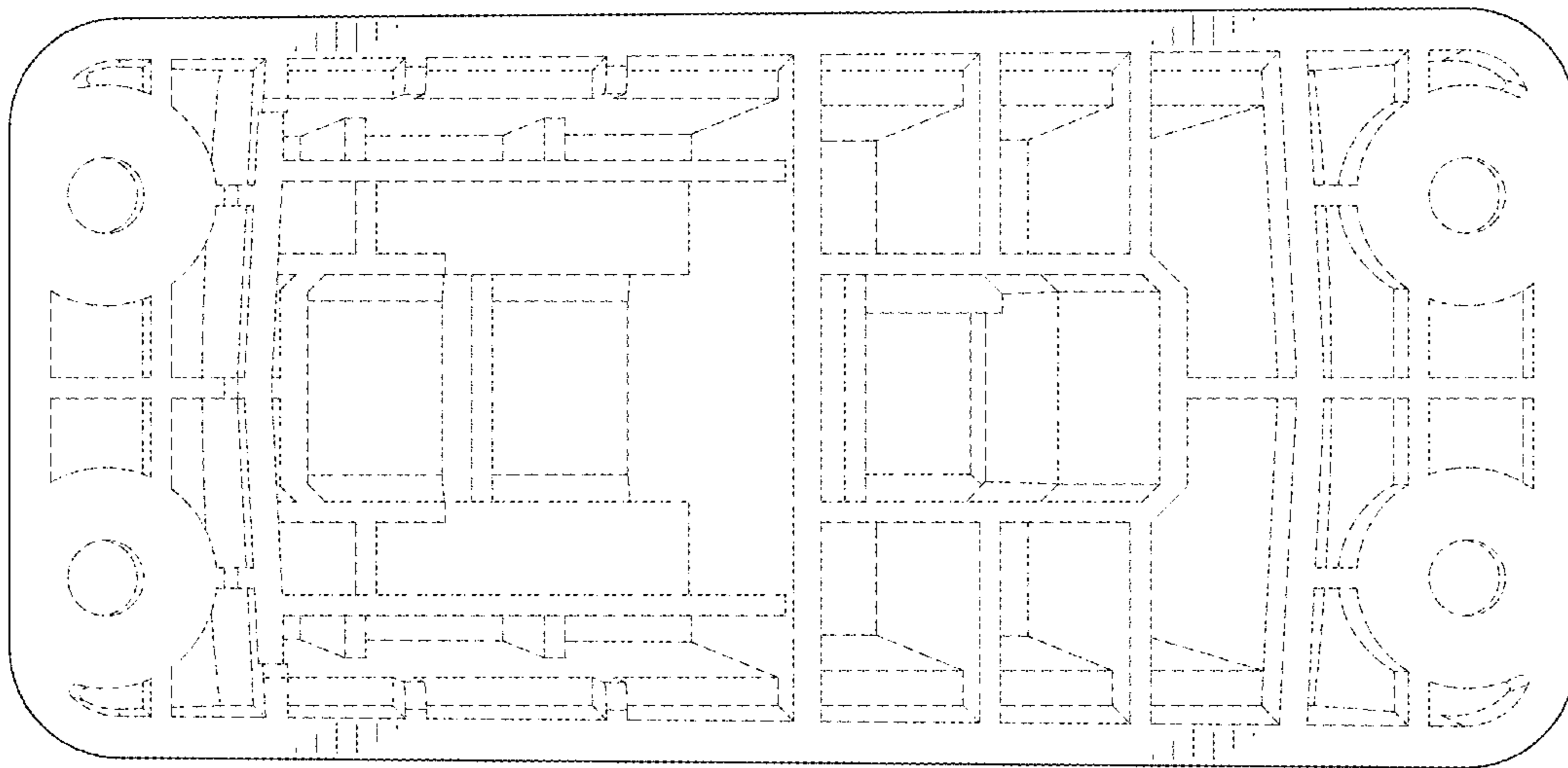


FIG. 5

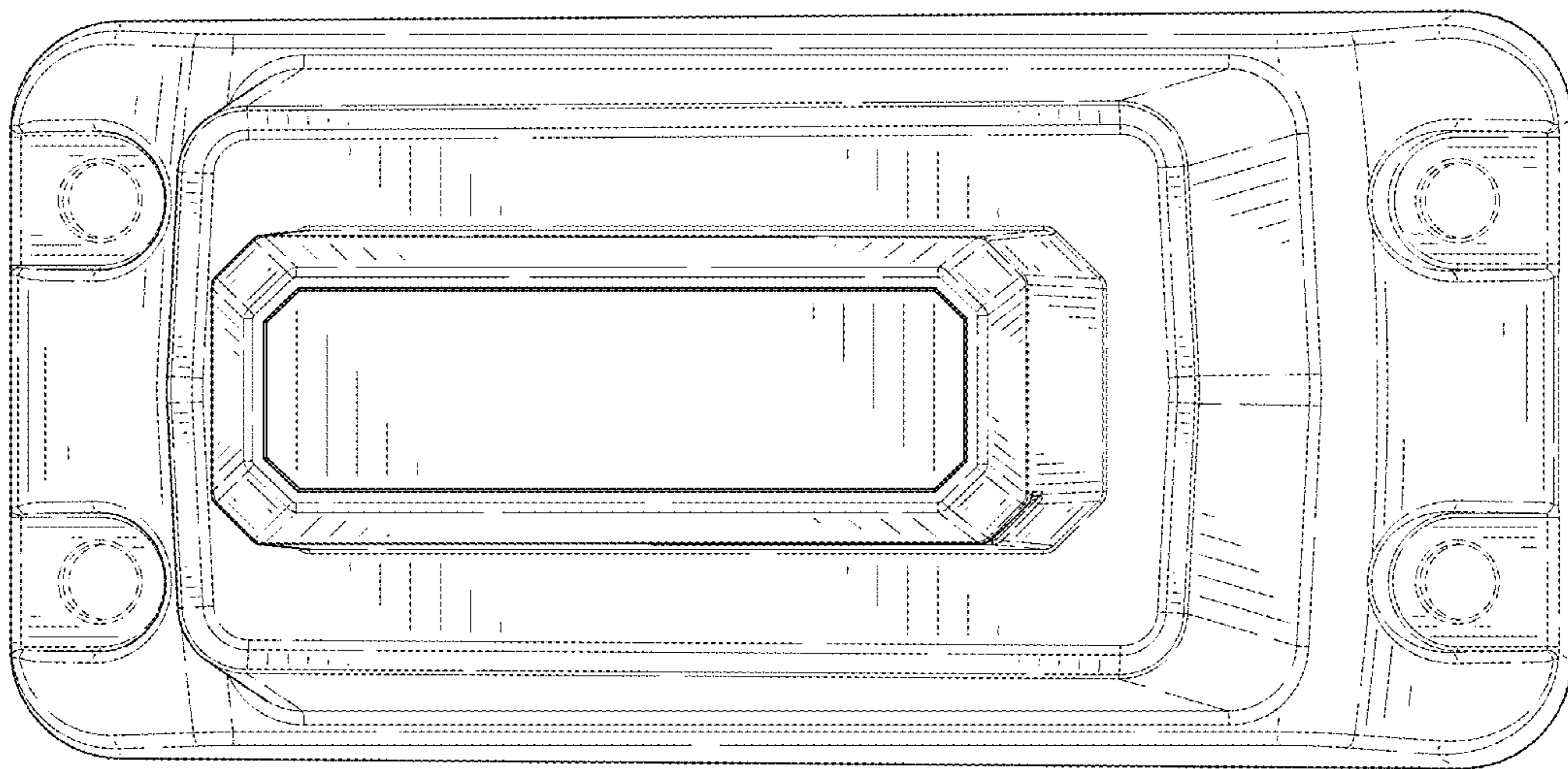


FIG. 6

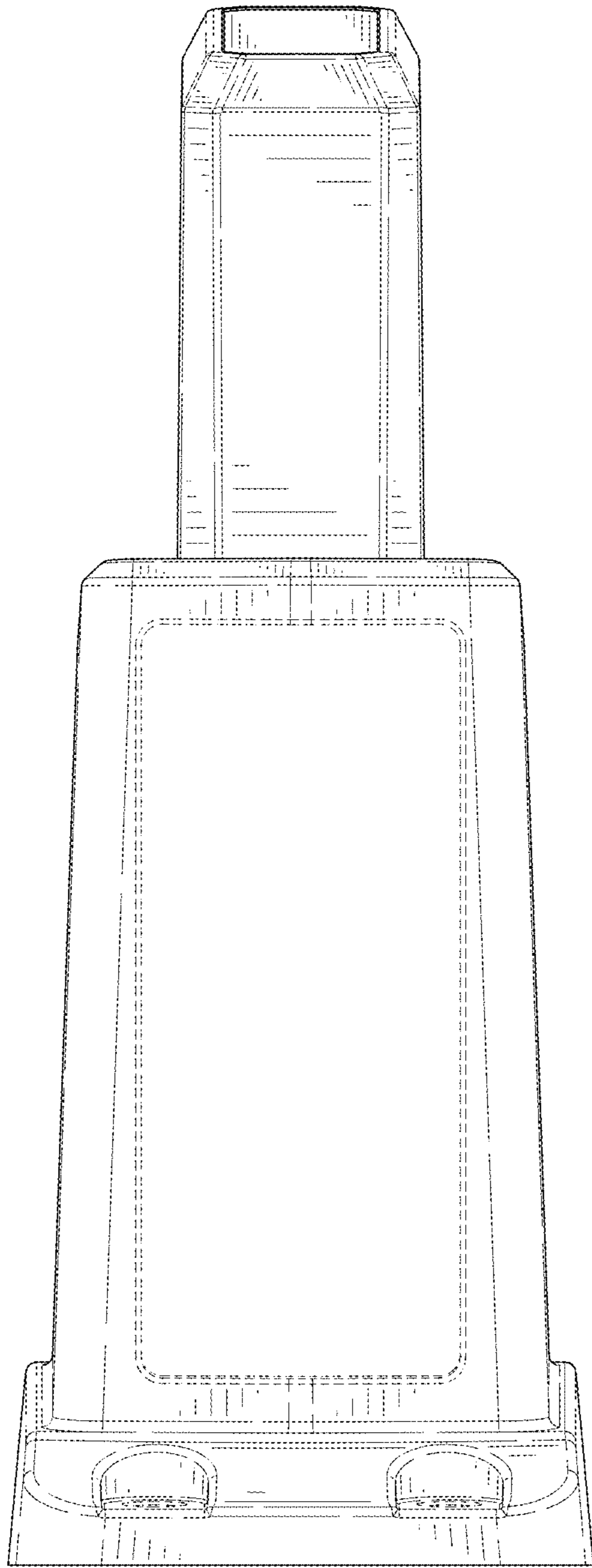


FIG. 7

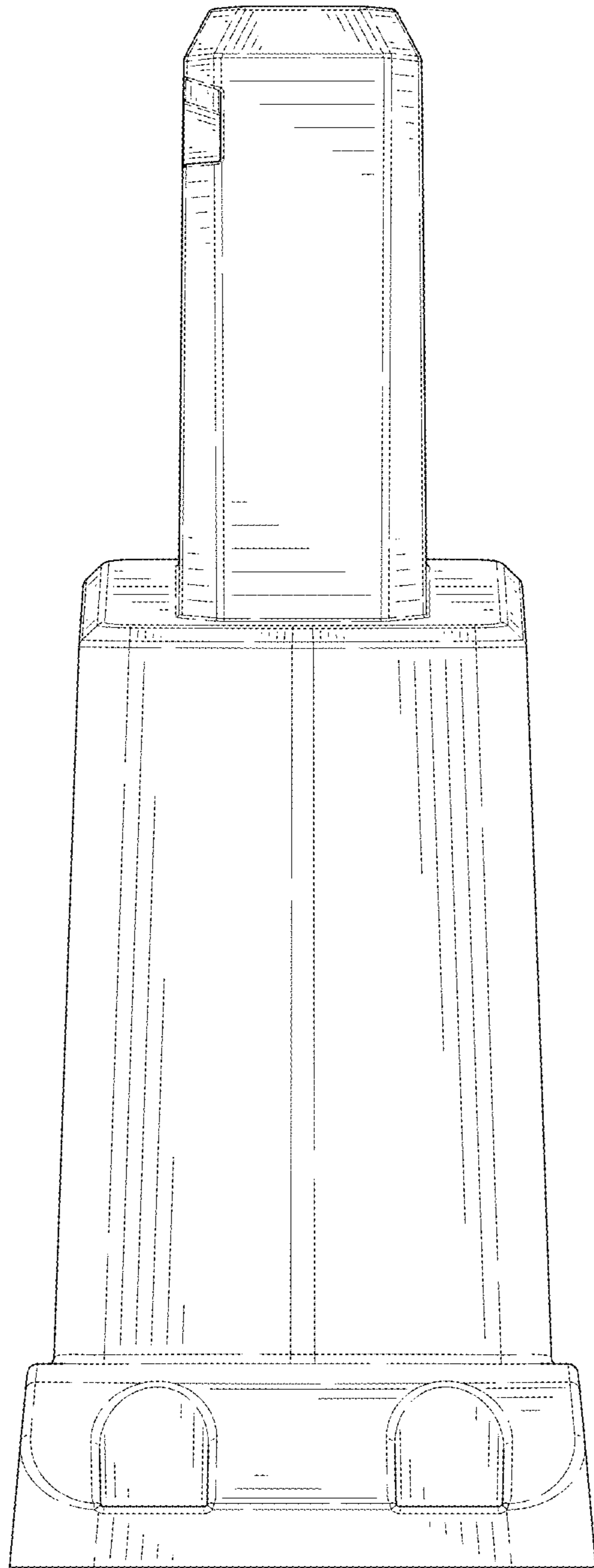


FIG. 8