



US00D975232S

(12) **United States Design Patent**  
**Põõsaste et al.**

(10) **Patent No.:** **US D975,232 S**  
(45) **Date of Patent:** **\*\* \*Jan. 10, 2023**

(54) **PART OF GUN**  
(71) Applicant: **Nordic Armoury OÜ**, Tallinn (EE)  
(72) Inventors: **Kevin Põõsaste**, Tallinn (EE); **Rando Purge**, Rae vald (EE); **Timo Juhanson**, Rae vald (EE); **Mihkel Piirsalu**, Tallinn (EE)  
(73) Assignee: **Nordic Armoury OU**, Tallinn (EE)  
(\* ) Notice: This patent is subject to a terminal disclaimer.  
(\*\*) Term: **15 Years**  
(21) Appl. No.: **35/512,170**  
(22) Filed: **Apr. 9, 2021**

(80) **Hague Agreement Data**  
Int. Filing Date: **Apr. 9, 2021**  
Int. Reg. No.: **DM/215151**  
Int. Reg. Date: **Apr. 9, 2021**  
Int. Reg. Pub. Date: **Jul. 16, 2021**  
(51) **LOC (14) Cl.** ..... **22-01**  
(52) **U.S. Cl.**  
USPC ..... **D22/108**  
(58) **Field of Classification Search**  
USPC ..... D22/100, 103, 108, 109; D21/567, 570, D21/573; D23/265  
CPC ..... F41C 7/00; F41C 23/00; F16B 37/047; F16L 27/1274  
See application file for complete search history.

(56) **References Cited**  
U.S. PATENT DOCUMENTS  
D142,834 S \* 11/1945 Campbell ..... D23/265  
D265,335 S \* 7/1982 Kirkpatrick ..... D22/108

D672,003 S \* 12/2012 Botes ..... D22/108  
D723,130 S \* 2/2015 Barrett ..... D22/108  
D737,398 S \* 8/2015 Spanel ..... D22/108  
D810,224 S \* 2/2018 Lessard ..... D22/108  
D823,976 S \* 7/2018 McDonald ..... D22/108  
10,030,930 B2 \* 7/2018 Hill ..... F16B 37/00  
D846,276 S \* 4/2019 Paganis ..... D3/262  
D853,519 S \* 7/2019 Langner ..... D22/108  
D876,575 S \* 2/2020 Delgado Acarreta ..... D22/108  
D883,420 S \* 5/2020 Green ..... D22/108  
D886,229 S \* 6/2020 McDonald ..... D22/108  
D886,935 S \* 6/2020 Shepard, Jr. .... D22/108  
D905,805 S \* 12/2020 Muir ..... D21/694  
D941,408 S \* 1/2022 Jones ..... D21/694  
D950,671 S \* 5/2022 Robinson ..... D22/108  
2008/0287271 A1 \* 11/2008 Jones ..... F16B 2/10  
482/107  
2012/0102805 A1 \* 5/2012 Buxton ..... F41C 23/16  
411/378  
2014/0033590 A1 \* 2/2014 Gomez ..... F41A 5/26  
42/75.02  
2020/0124373 A1 \* 4/2020 Juarez ..... F41A 21/48  
2020/0171339 A1 \* 6/2020 Jones ..... A63B 21/0728

\* cited by examiner

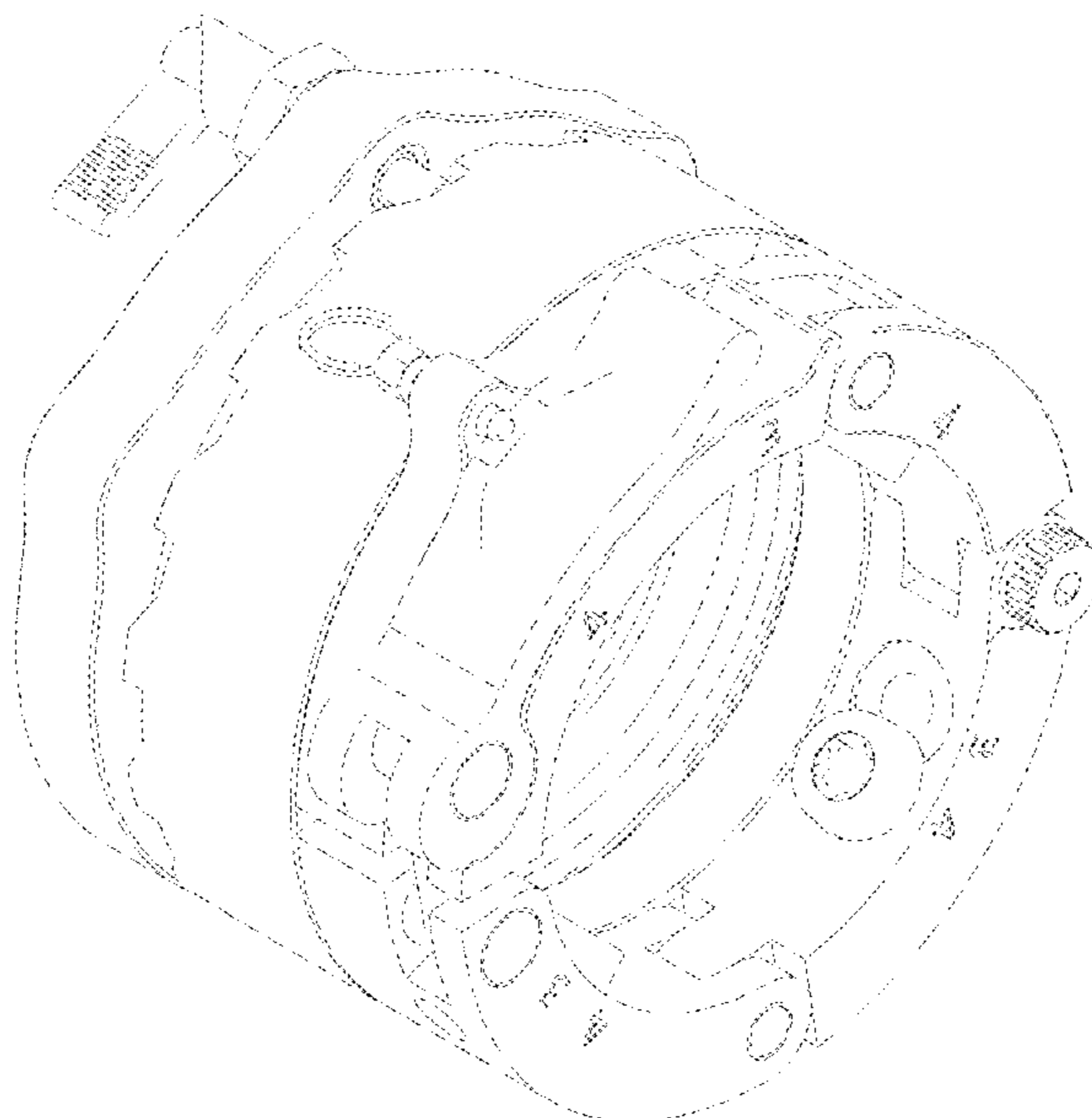
*Primary Examiner* — Mojtaba Tehrani

(57) **CLAIM**  
The ornamental design for a part of gun, as shown and described.

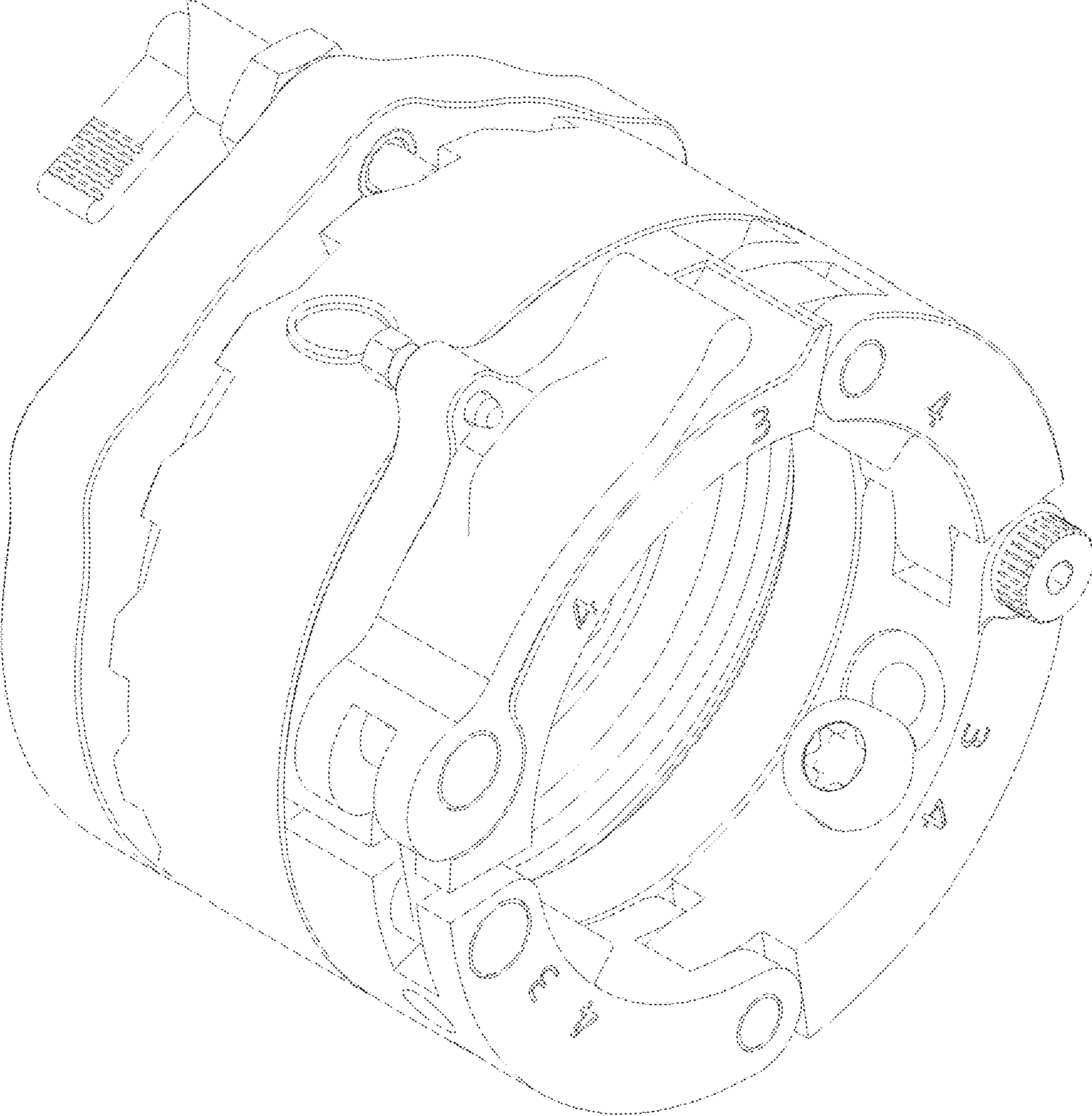
**DESCRIPTION**

- 1. Part of gun
- 1.1 : Perspective view;
- 1.2 : side view;
- 1.3 : side view;
- 1.4 : front view;
- 1.5 : rear view;
- 1.6 : top view;
- 1.7 : bottom view.

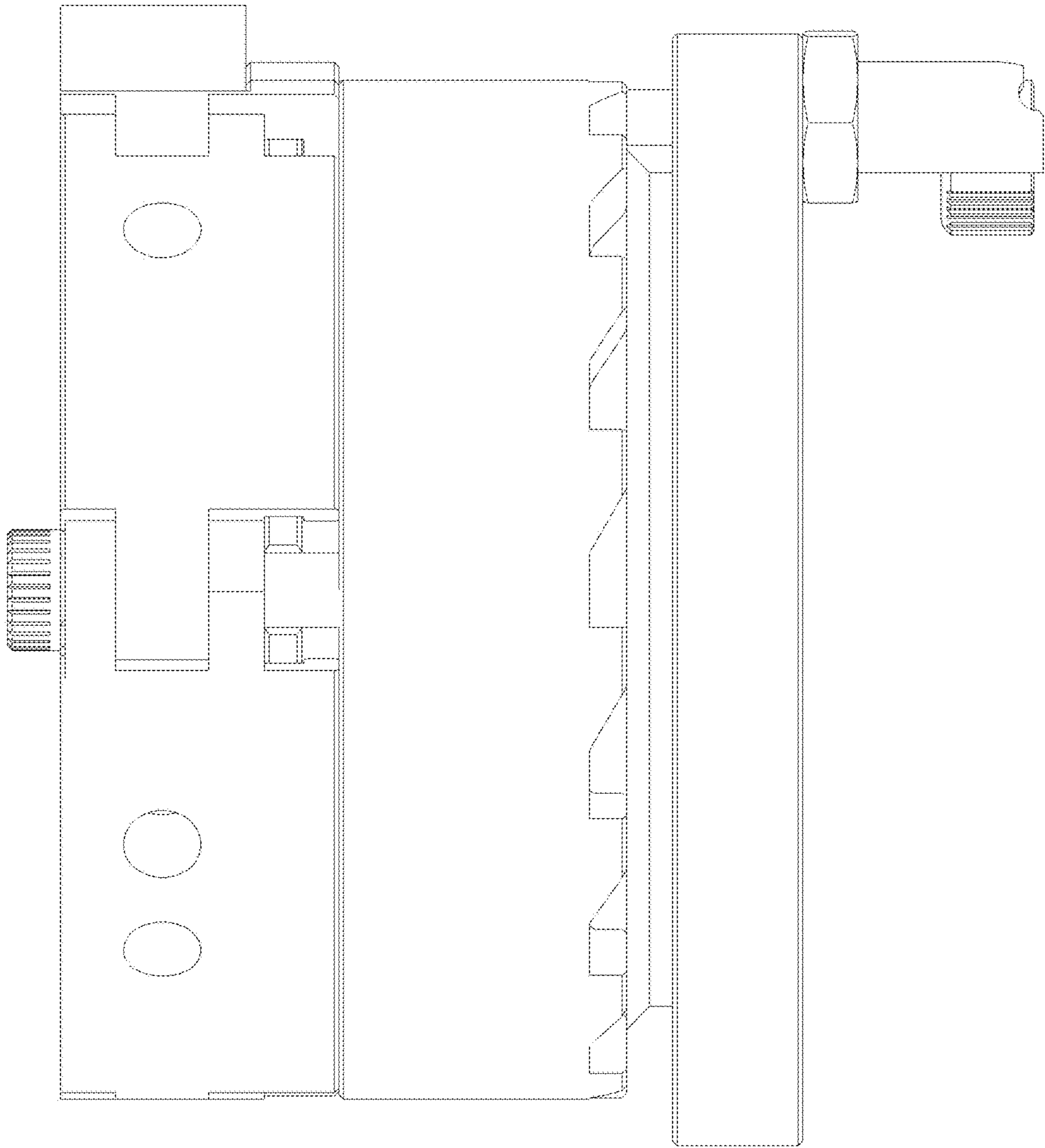
**1 Claim, 7 Drawing Sheets**



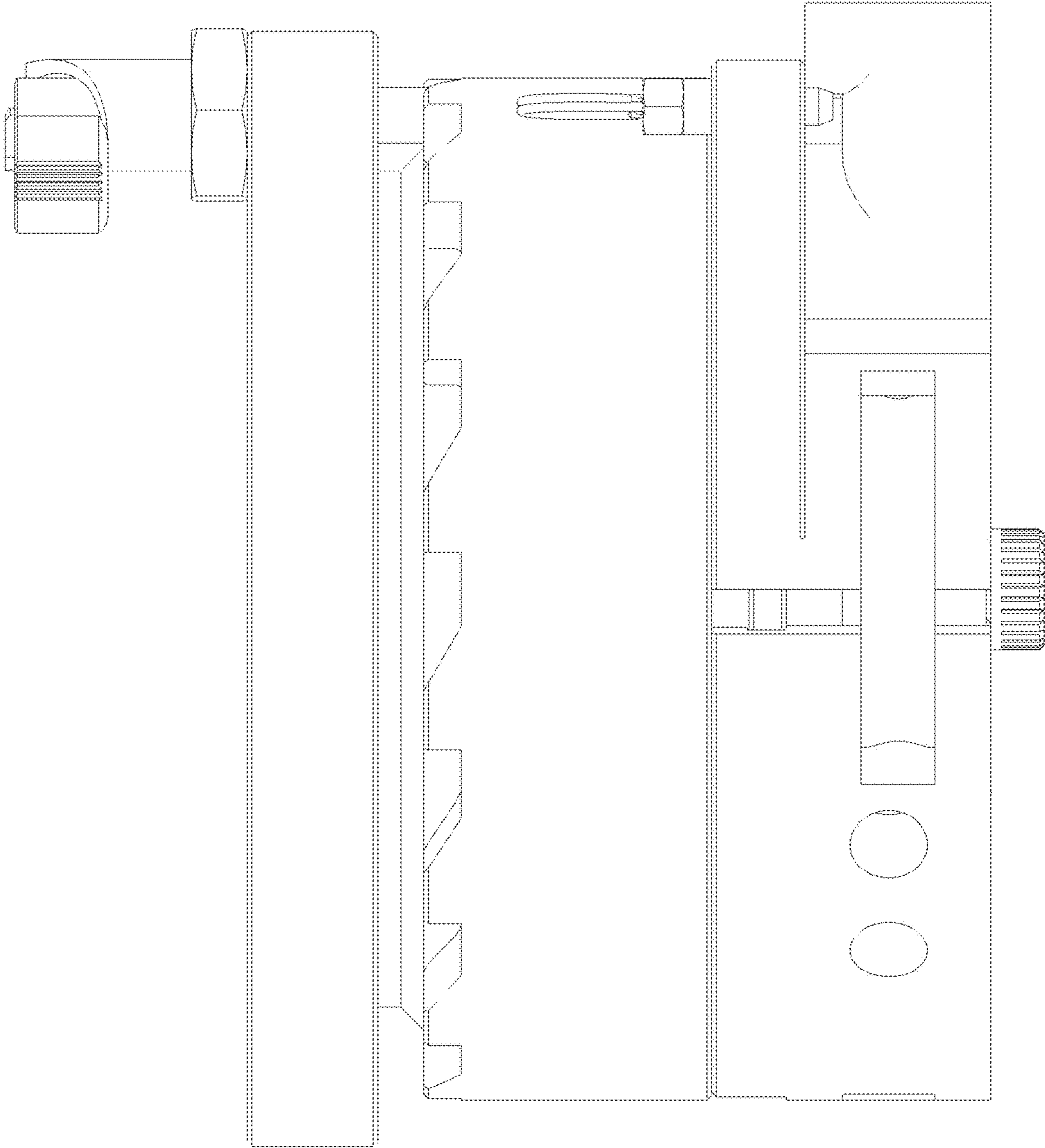
1.1



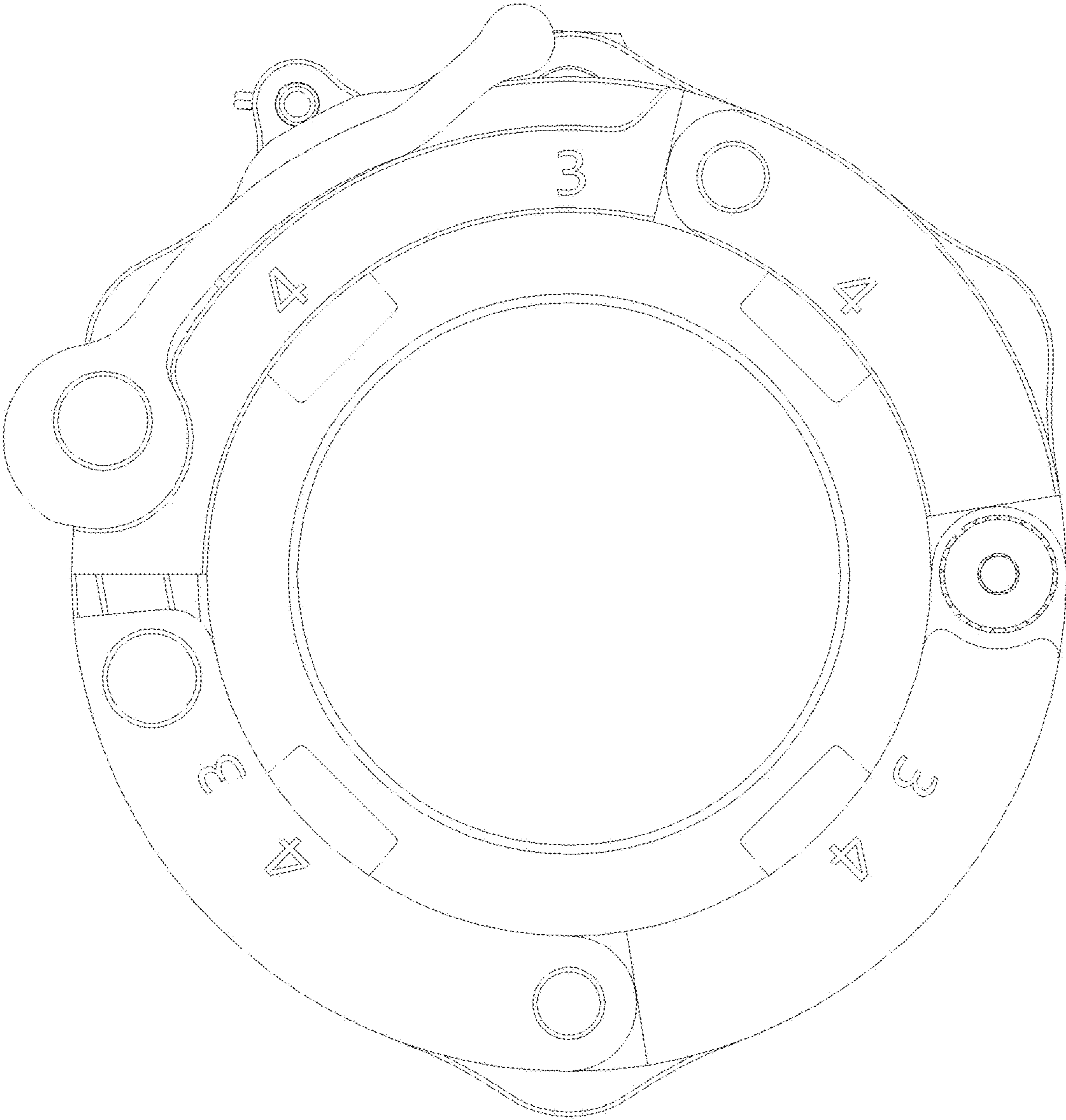
1.2



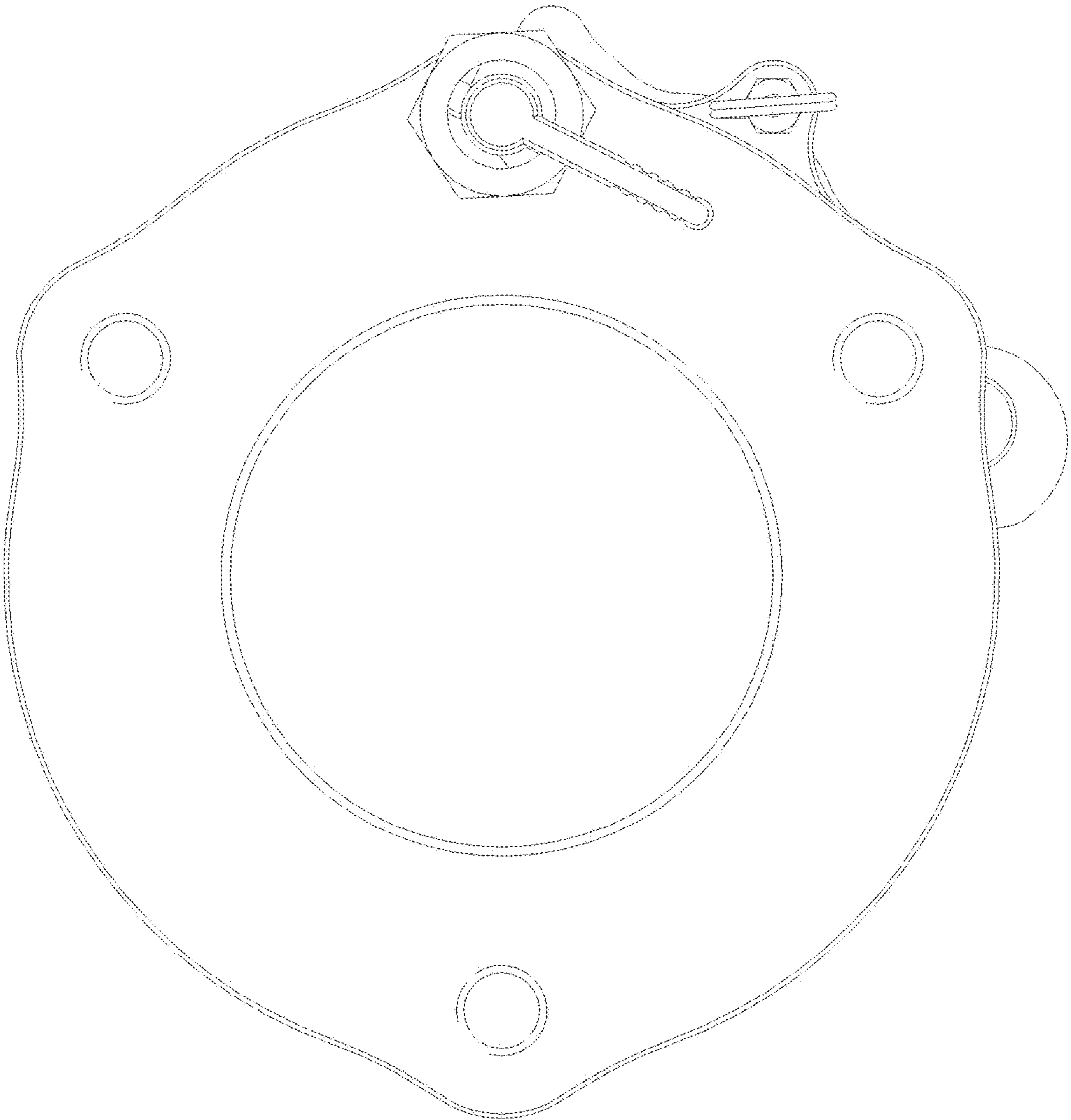
1.3



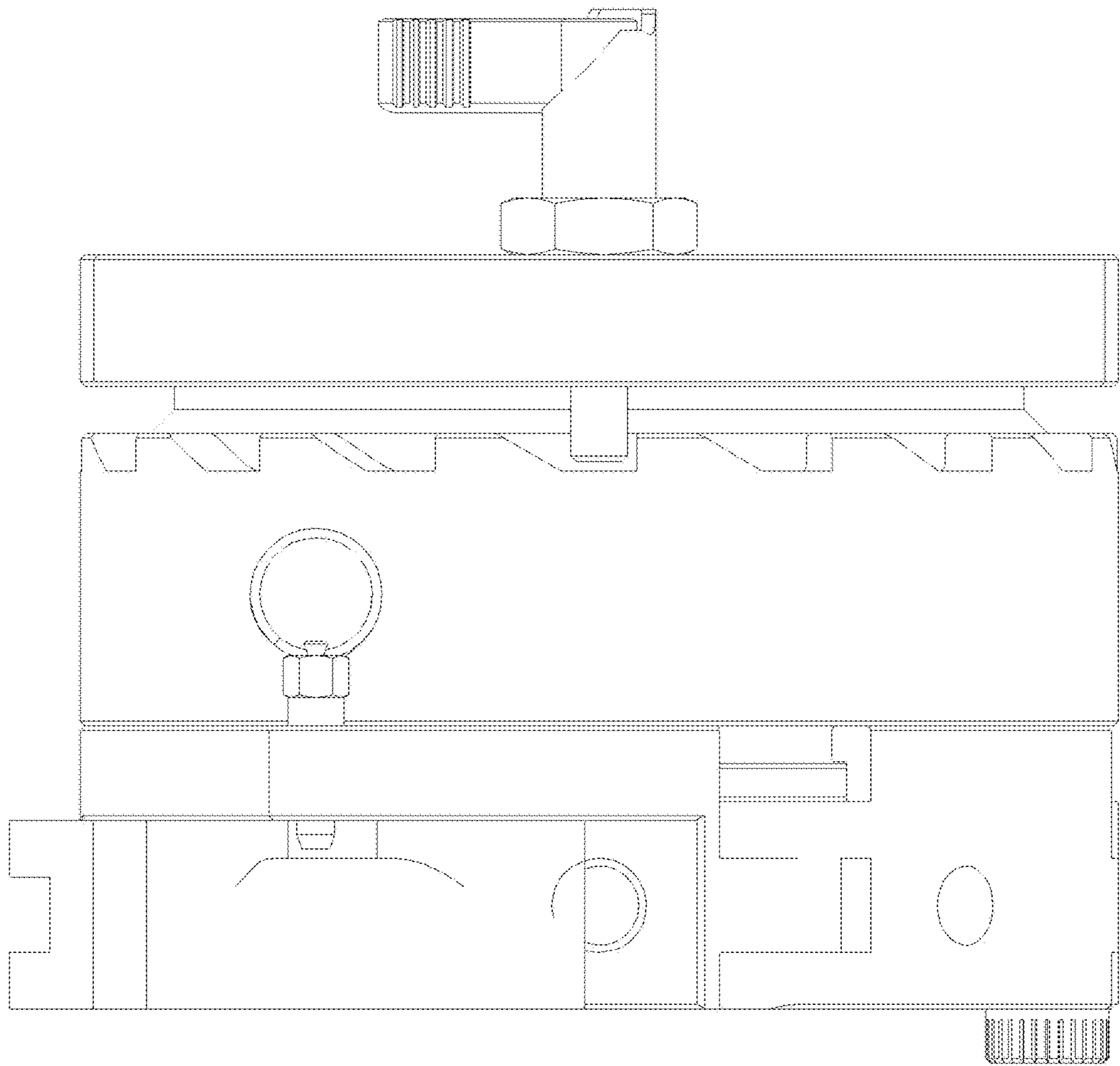
14



1.5



1.6



1.7

