



US00D975230S

(12) **United States Design Patent**  
**Zukowski**

(10) **Patent No.:** **US D975,230 S**  
(45) **Date of Patent:** **\*\* Jan. 10, 2023**

- (54) **AMMUNITION MAGAZINE**
- (71) Applicant: **Smith & Wesson Inc.**, Springfield, MA (US)
- (72) Inventor: **Gary Zukowski**, Ludlow, MA (US)
- (73) Assignee: **Smith & Wesson Inc.**, Springfield, MA (US)
- (\*\*) Term: **15 Years**
- (21) Appl. No.: **29/711,669**
- (22) Filed: **Nov. 1, 2019**
- (51) **LOC (14) Cl.** ..... **22-01**
- (52) **U.S. Cl.**  
USPC ..... **D22/108**
- (58) **Field of Classification Search**  
USPC ..... D21/572-573; D22/108  
CPC ..... F41A 9/70; F41A 9/65; F41A 9/71; F41A 9/68; F41A 9/69; F41A 11/02; F41A 9/61; F41A 9/00; F41A 9/17; F41A 9/23; F41A 9/34; F41A 9/84  
See application file for complete search history.

D859,571	S	*	9/2019	Spine	.....	D22/108
D892,253	S	*	8/2020	Kielsmeier	.....	D22/108
D898,852	S	*	10/2020	Kielsmeier	.....	D22/108
D912,190	S	*	3/2021	Thomele	.....	D22/108
D912,191	S	*	3/2021	Thomele	.....	D22/108
2021/0231396	A1	*	7/2021	Brown	.....	F41A 9/65
2022/0244006	A1	*	8/2022	No	.....	F41A 9/70

\* cited by examiner

*Primary Examiner* — Michael A. Pratt

(74) *Attorney, Agent, or Firm* — Ballard Spahr LLP

(57) **CLAIM**

I claim the ornamental design for an ammunition magazine, as shown and described.

**DESCRIPTION**

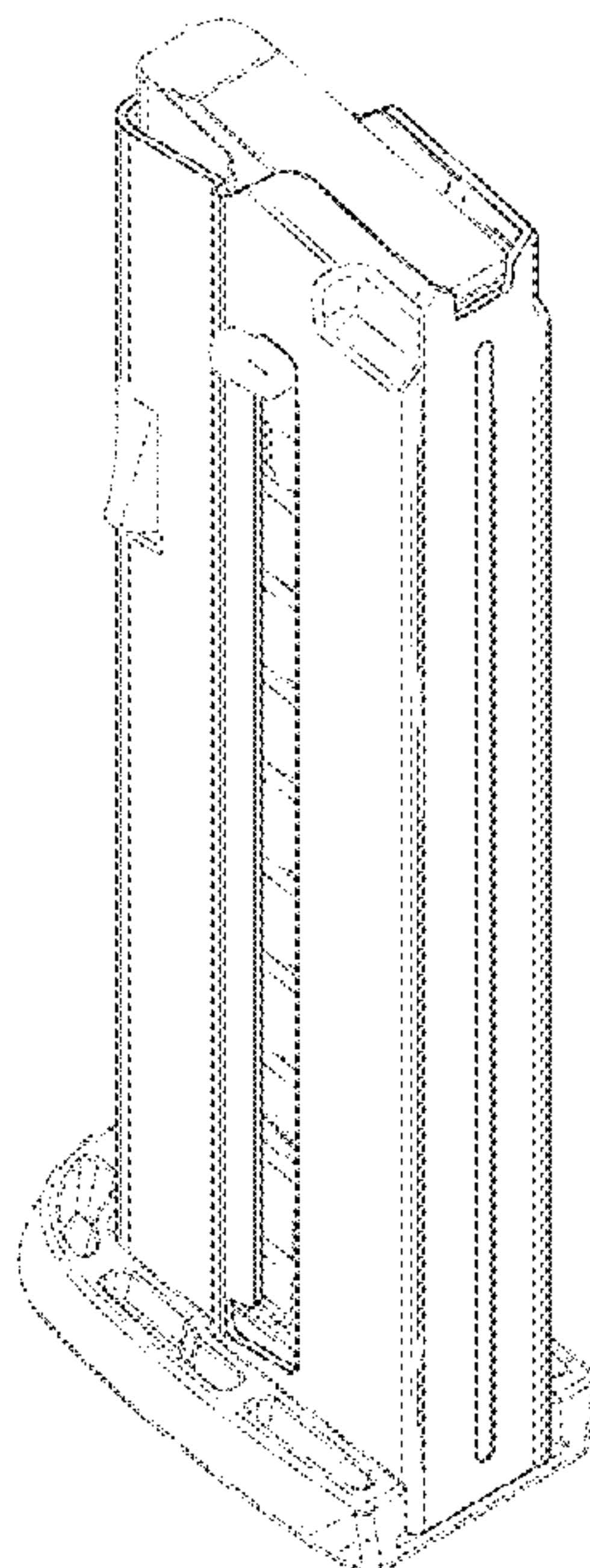
FIG. 1 is a rear isometric view of an embodiment of an ammunition magazine according to the invention;  
 FIG. 2 is a rear view of the ammunition magazine shown in FIG. 1;  
 FIG. 3 is a front view of the ammunition magazine shown in FIG. 1;  
 FIG. 4 is a right side view of the ammunition magazine shown in FIG. 1;  
 FIG. 5 is a left side view of the ammunition magazine shown in FIG. 1;  
 FIG. 6 is a top view of the ammunition magazine shown in FIG. 1;  
 FIG. 7 is a bottom view of the ammunition magazine shown in FIG. 1; and,  
 FIG. 8 is a front isometric view of the ammunition magazine shown in FIG. 1.  
 The broken lines in the figures form no part of the claimed design.

**1 Claim, 6 Drawing Sheets**

(56) **References Cited**

U.S. PATENT DOCUMENTS

4,862,619	A	*	9/1989	Baldus	.....	F41A 9/71
						42/7
5,461,811	A	*	10/1995	Ciener	.....	F41A 9/65
						42/49.02
5,666,752	A	*	9/1997	Grams	.....	F41A 9/71
						42/49.02
D757,884	S	*	5/2016	Kielsmeier	.....	D22/108
D783,111	S	*	4/2017	Hillis	.....	D22/108
D810,223	S	*	2/2018	Kielsmeier	.....	D22/108
D853,520	S	*	7/2019	Cheng	.....	D22/108
D858,680	S	*	9/2019	Thomele	.....	D22/108



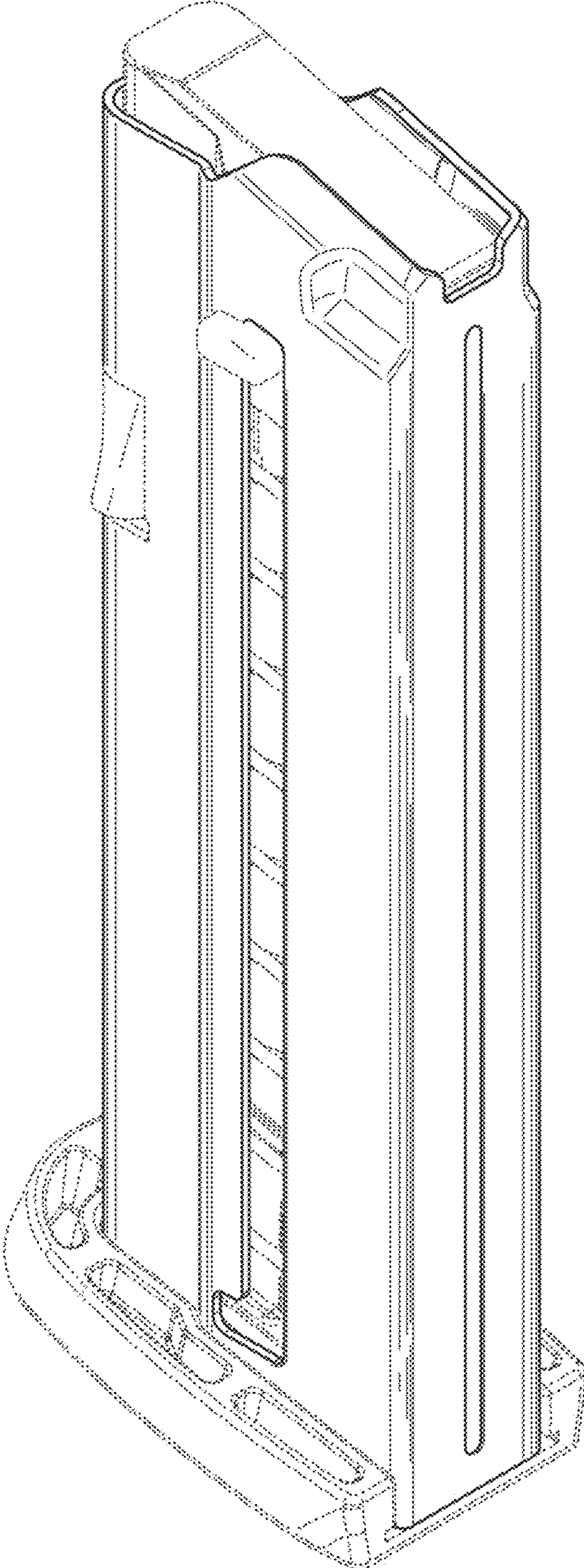


FIG. 1



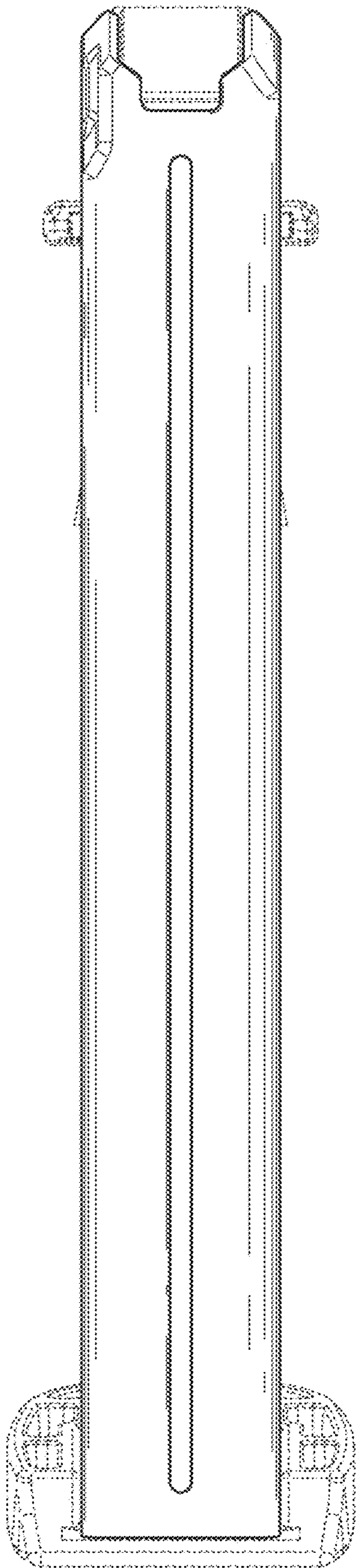


FIG. 2

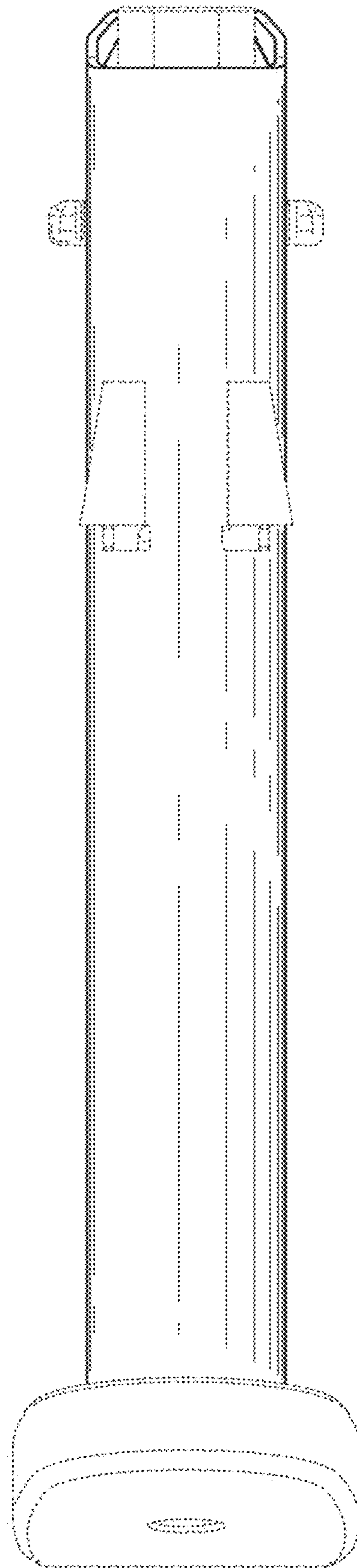


FIG. 3

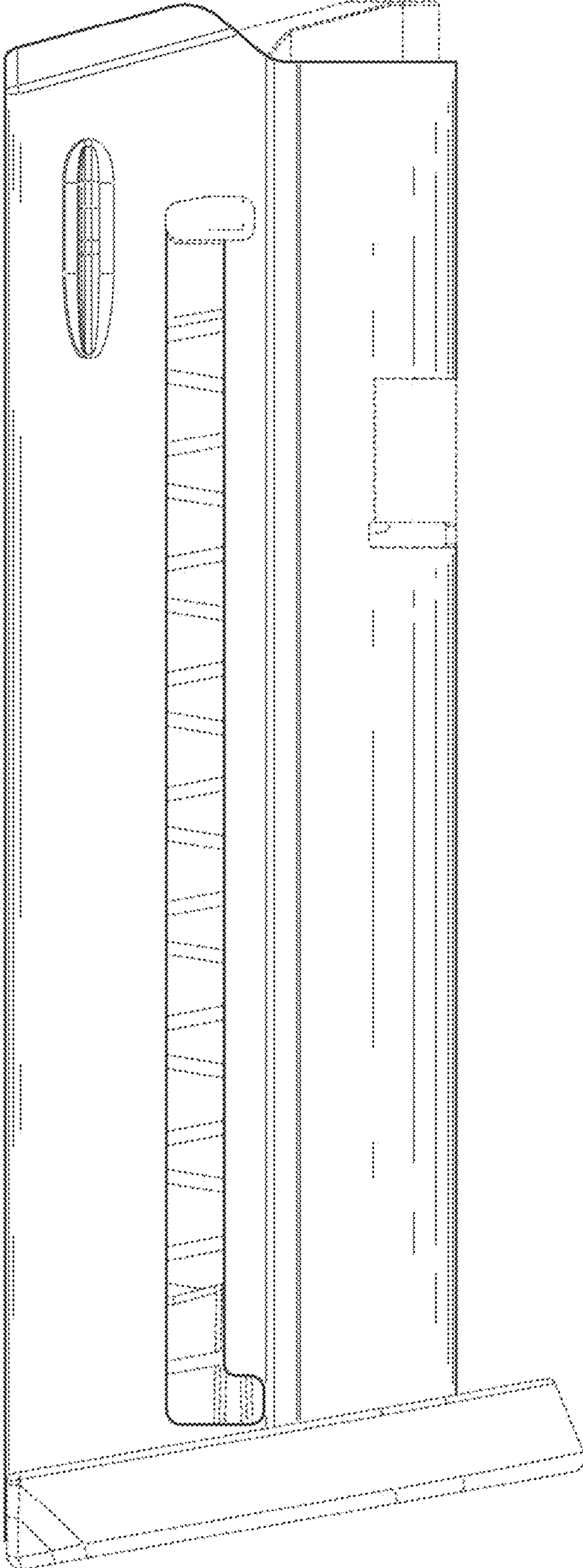


FIG. 4

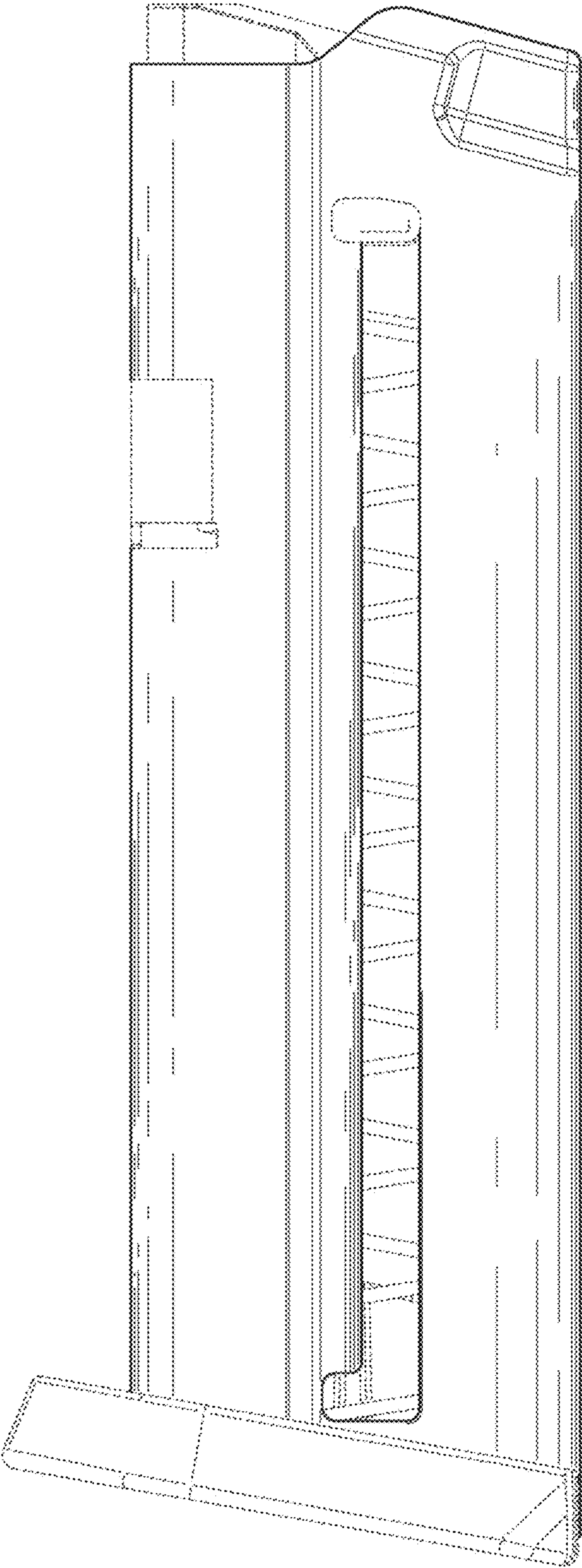


FIG. 5



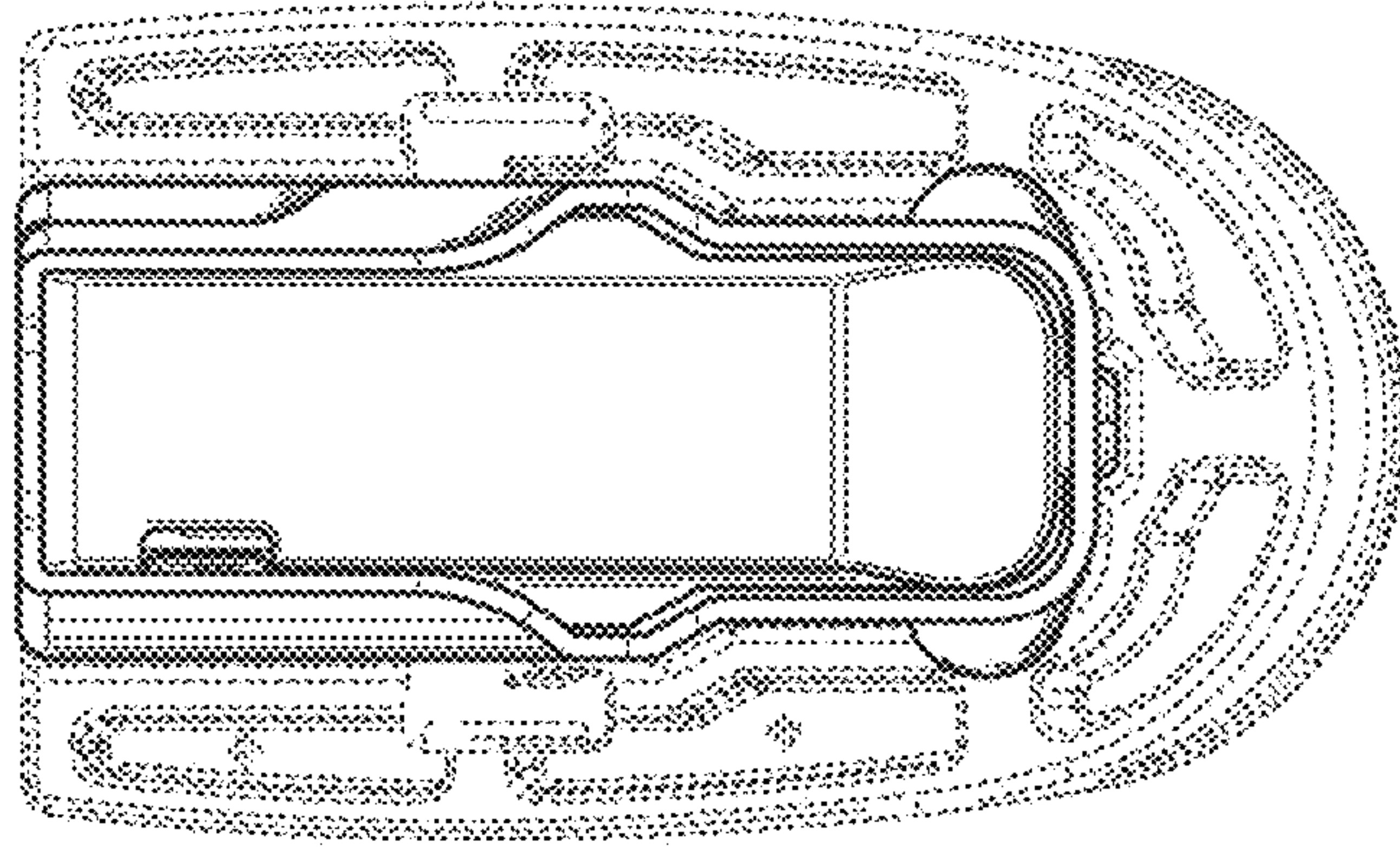


FIG. 6

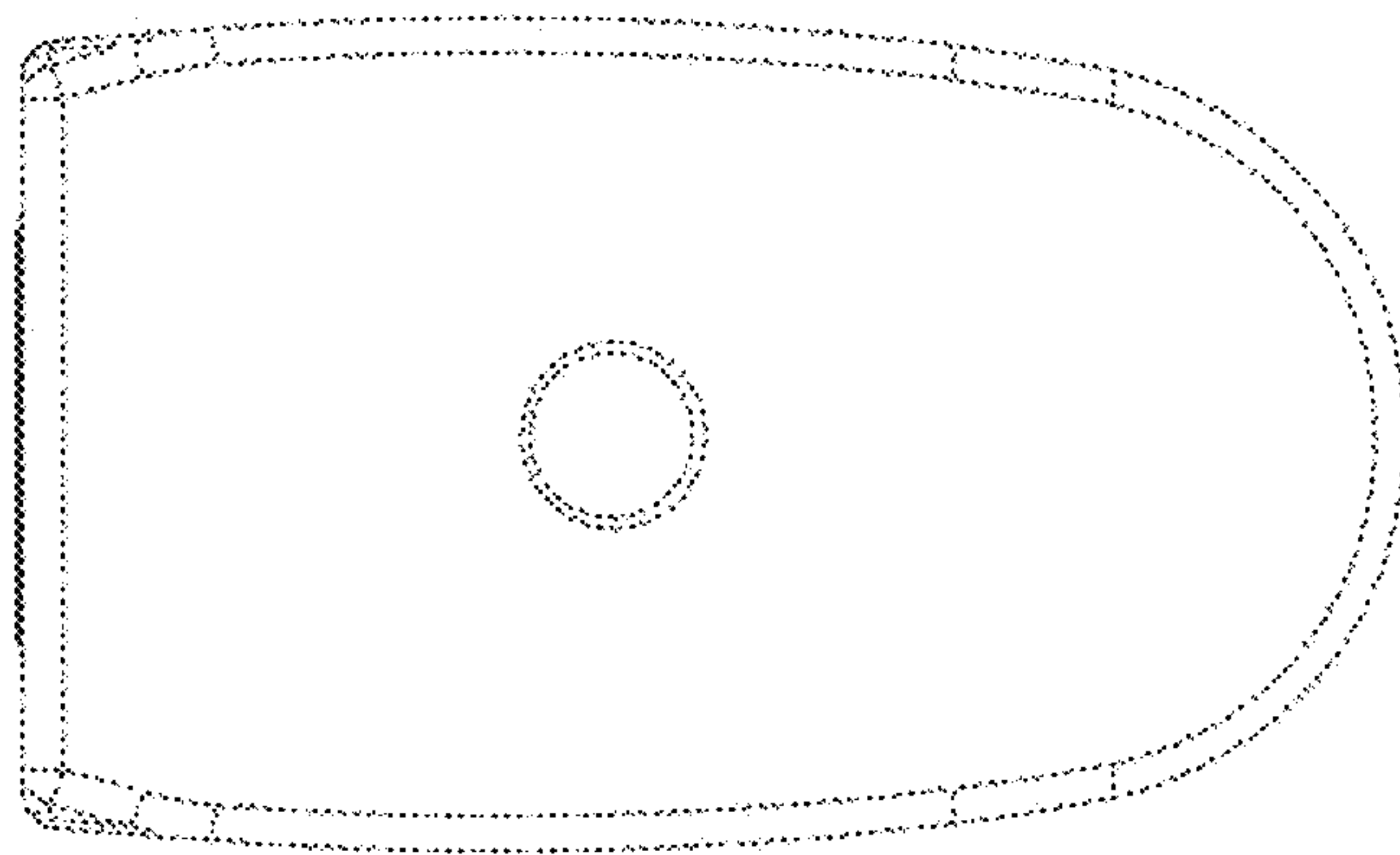


FIG. 7

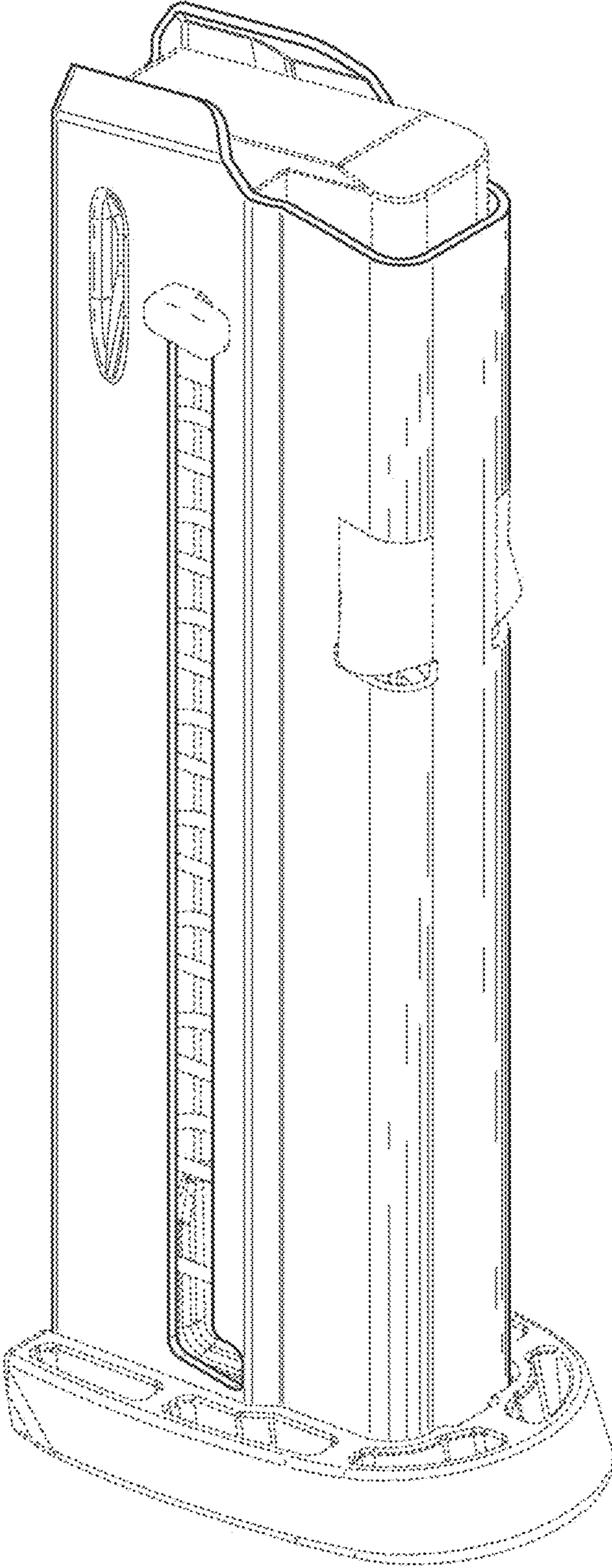


FIG. 8