



US00D975221S

(12) **United States Design Patent**
Wang et al.

(10) **Patent No.:** **US D975,221 S**

(45) **Date of Patent:** **** *Jan. 10, 2023**

(54) **GOLF CLUB HEAD**

(71) Applicant: **KARSTEN MANUFACTURING CORPORATION**, Phoenix, AZ (US)

(72) Inventors: **Calvin S. Wang**, Chandler, AZ (US);
David A. Higdon, Cave Creek, AZ (US)

(73) Assignee: **Karsten Manufacturing Corporation**, Phoenix, AZ (US)

(*) Notice: This patent is subject to a terminal disclaimer.

(**) Term: **15 Years**

(21) Appl. No.: **29/753,991**

(22) Filed: **Oct. 5, 2020**

(51) **LOC (14) Cl.** **21-02**

(52) **U.S. Cl.**
USPC **D21/743**

(58) **Field of Classification Search**
USPC D21/736-746, 752
CPC A63B 53/00; A63B 53/04; A63B 53/007;
A63B 53/065; A63B 53/0487; A63B
60/00; A63B 60/46
See application file for complete search history.

(56) **References Cited**

U.S. PATENT DOCUMENTS

D207,227 S *	3/1967	Solheim	D21/739
3,884,477 A	5/1975	Bianco		
D239,951 S *	5/1976	Carrier	D21/742
4,030,766 A	6/1977	Derr		
D316,129 S	4/1991	Bryson		
5,275,412 A	1/1994	Innes		
5,685,784 A	11/1997	Butler		
D389,207 S *	1/1998	Cameron	D21/742
D420,079 S	2/2000	Frazetta		
D426,599 S *	6/2000	Morgan	D21/736
6,159,108 A	12/2000	De La Pena		

D443,906 S *	6/2001	Hettinger	D21/743
6,379,259 B1	4/2002	Opie		
D485,320 S	1/2004	Breier		
D488,526 S	4/2004	Souza		
D498,276 S *	11/2004	Schweigert	D21/743
D500,109 S	12/2004	Solheim		
D500,110 S	12/2004	Solheim		
6,837,801 B1	1/2005	Souza		
6,878,071 B1	4/2005	Schweiger		
6,893,355 B2	5/2005	Souza		

(Continued)

FOREIGN PATENT DOCUMENTS

JP	1685998	5/2021
JP	1693457	8/2021
JP	1707906	2/2022

OTHER PUBLICATIONS

Edwin Watts Golf, "Wrap up the Holiday with Golf's Big Hitters,"
Edwin Watts Golf, Jan. 12, 2001, p. 47, HD13010771.

Primary Examiner — Mitchell I. Siegel

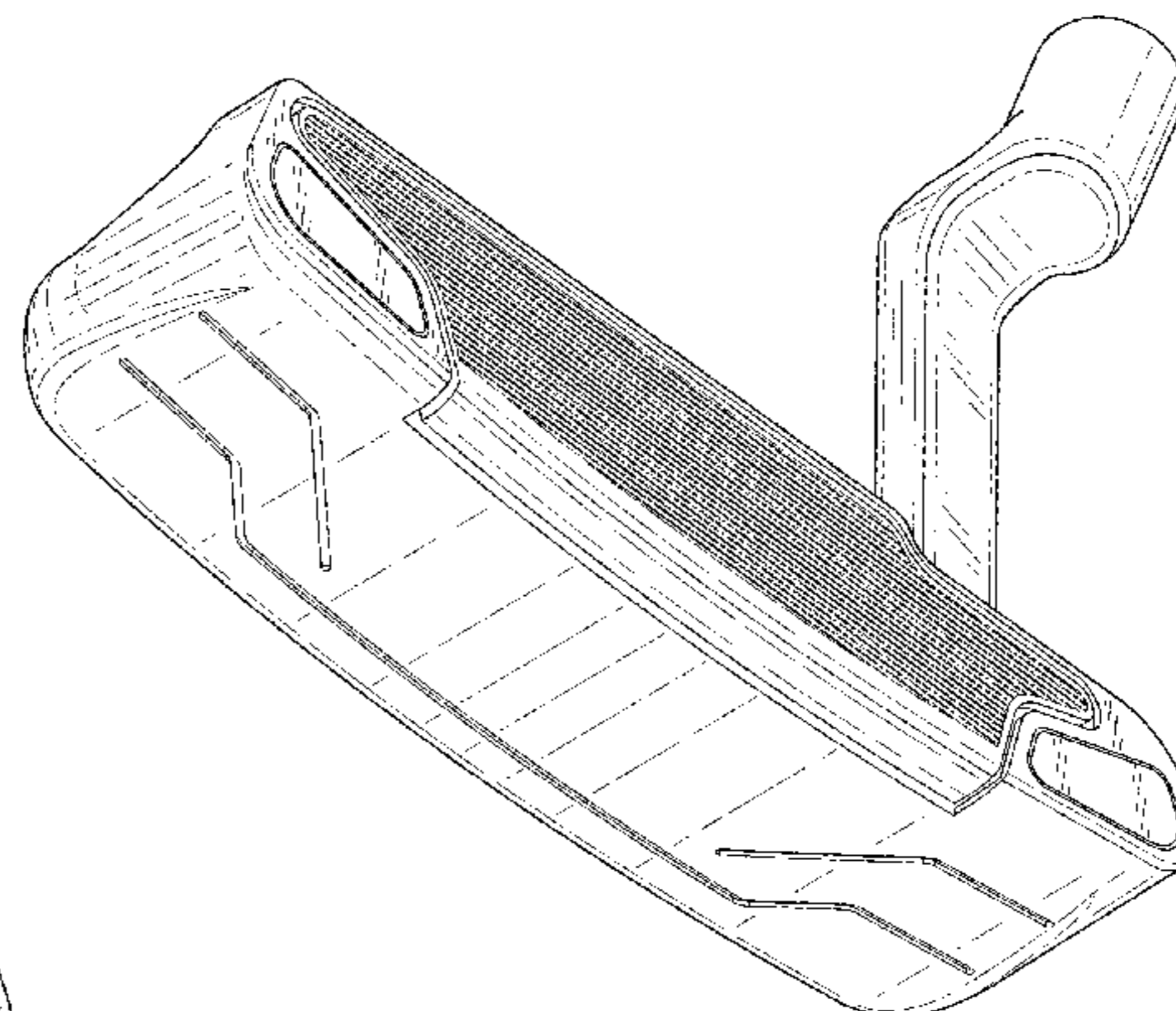
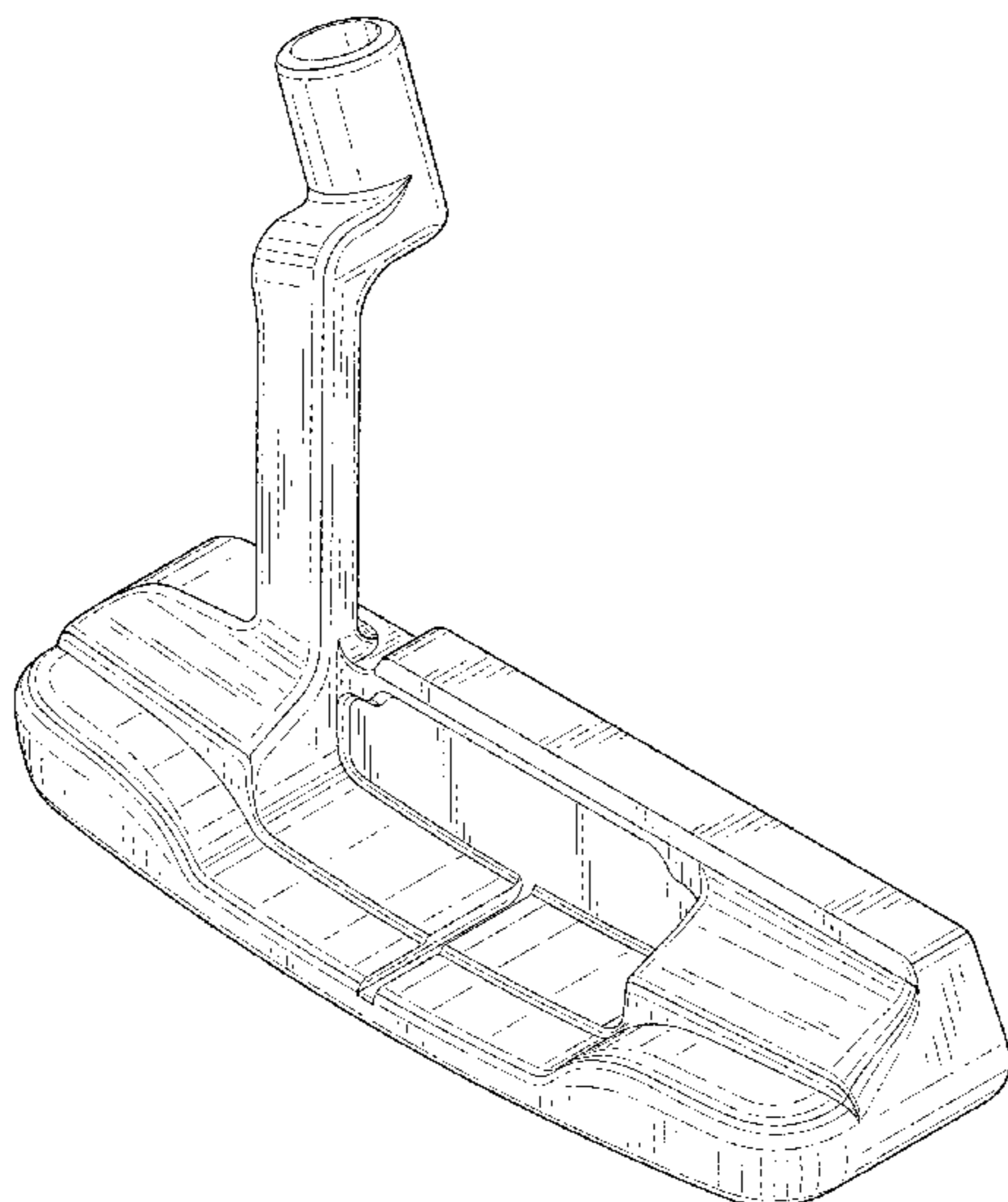
(57) **CLAIM**

The ornamental design for a golf club head, as shown and described.

DESCRIPTION

FIG. 1 is a top perspective view of a golf club head;
FIG. 2 is a bottom perspective view of the golf club head of FIG. 1;
FIG. 3 is a top view of the golf club head of FIG. 1;
FIG. 4 is a bottom view of the golf club head of FIG. 1;
FIG. 5 is a front view of the golf club head of FIG. 1;
FIG. 6 is a rear view of the golf club head of FIG. 1;
FIG. 7 is a heel side view of the golf club head of FIG. 1;
and,
FIG. 8 is a toe side view of the golf club head of FIG. 1.
The broken lines shown on the drawings form no part of the claimed design.

1 Claim, 6 Drawing Sheets



US D975,221 S

(56)

References Cited

U.S. PATENT DOCUMENTS

6,902,496 B2	6/2005	Solheim		7,887,432 B2 *	2/2011	Jones	A63B 53/0487 473/409
D507,612 S	7/2005	Souza		7,927,226 B1 *	4/2011	Twitty	A63B 53/0487 473/254
6,926,615 B1	8/2005	Souza		D638,891 S	5/2011	Nicolette	
6,960,140 B2	11/2005	Solheim		D638,892 S *	5/2011	Hettinger	D21/743
6,966,845 B2	11/2005	Solheim		D640,341 S	6/2011	Foster et al.	
D520,584 S	5/2006	Karlsen		7,959,520 B2	6/2011	Campadore	
D521,580 S *	5/2006	Burrows	D21/736	D643,080 S	8/2011	Serrano	
D521,582 S	5/2006	Souza		D643,485 S	8/2011	Nicolette	
7,052,411 B2	5/2006	Solheim		D643,486 S	8/2011	Serrano	
D522,598 S	6/2006	Solheim		D643,487 S	8/2011	Serrano	
7,077,758 B2	7/2006	Rohrer		D643,893 S	8/2011	Rollinson	
7,086,957 B2	8/2006	Solheim		D648,407 S	11/2011	Teramoto	
D527,777 S	9/2006	Solheim		D650,456 S *	12/2011	Tang	D21/743
D529,108 S	9/2006	Stites		8,100,779 B2	1/2012	Solheim	
D532,847 S	11/2006	Rollinson		D653,718 S	2/2012	Stokke	
D533,243 S	12/2006	Fife		8,109,838 B2	3/2012	Solheim	
D535,712 S	1/2007	Toroussian		8,128,505 B2	3/2012	Tryner et al.	
7,235,021 B2	6/2007	Solheim		D664,617 S	7/2012	Serrano	
D548,294 S *	8/2007	Nguyen	D21/736	D689,574 S *	9/2013	Rollinson	D21/743
D548,295 S	8/2007	Jertson		D691,225 S *	10/2013	Hilton	D21/736
7,255,650 B2	8/2007	Bryant		D702,782 S	4/2014	Wempe	
D552,196 S	10/2007	Hueber		9,033,812 B2 *	5/2015	Solheim	A63B 53/007 473/409
D552,197 S	10/2007	Wells		D733,817 S	7/2015	Jorgensen	
D562,921 S *	2/2008	Nguyen	D21/742	D769,383 S *	10/2016	Abbott	D21/743
D565,137 S	3/2008	Oldknow		D796,597 S *	9/2017	Serrano	D21/736
D569,462 S	5/2008	Rollinson		D796,600 S	9/2017	Serrano	
7,371,185 B1	5/2008	Rohrer		D802,067 S	11/2017	Solheim	
7,374,497 B2	5/2008	Brown		D817,424 S	5/2018	Toulon	
D574,909 S *	8/2008	Jones	D21/743	D817,425 S	5/2018	Toulon	
D581,473 S	11/2008	Thomas		D818,551 S	5/2018	Toulon	
D583,003 S	12/2008	Solheim		D832,379 S *	10/2018	Jertson	D21/736
D583,887 S	12/2008	Cameron		D857,135 S *	8/2019	Serrano	D21/736
D587,325 S	2/2009	Solheim		D859,544 S *	9/2019	Wang	D21/736
D590,462 S *	4/2009	Hettinger	D21/743	D860,351 S *	9/2019	Rollinson	D21/743
D595,372 S	6/2009	Rollinson		D869,581 S *	12/2019	Aguilar	D21/743
D599,423 S *	9/2009	Serrano	D21/736	D869,582 S *	12/2019	Rollinson	D21/743
D600,760 S	9/2009	Serrano		D869,583 S *	12/2019	Rollinson	D21/743
D600,761 S	9/2009	Serrano		D874,590 S *	2/2020	Lee	D21/743
D600,762 S	9/2009	Serrano		D898,845 S	10/2020	Clarke et al.	
7,601,076 B2	10/2009	Rollinson		D912,746 S *	3/2021	Toulon	D21/743
D607,950 S	1/2010	Souza		D928,260 S *	8/2021	Serrano	D21/743
D620,993 S *	8/2010	Laub	D21/746	D930,096 S *	9/2021	Higdon	D21/743
D621,458 S	8/2010	Serrano		2005/0170904 A1	8/2005	Smeeth	
D621,460 S	8/2010	Serrano		2006/0094533 A1	5/2006	Warren	
D621,461 S	8/2010	Serrano		2007/0191135 A1	8/2007	Nilsson	
D621,462 S	8/2010	Serrano		2008/0096686 A1	4/2008	Bilkhu	
D621,891 S	8/2010	Serrano		2010/0227704 A1	9/2010	Souza	
7,803,066 B2	9/2010	Solheim		2012/0115628 A1	5/2012	Woods	
7,815,515 B1	10/2010	Hunt					

* cited by examiner

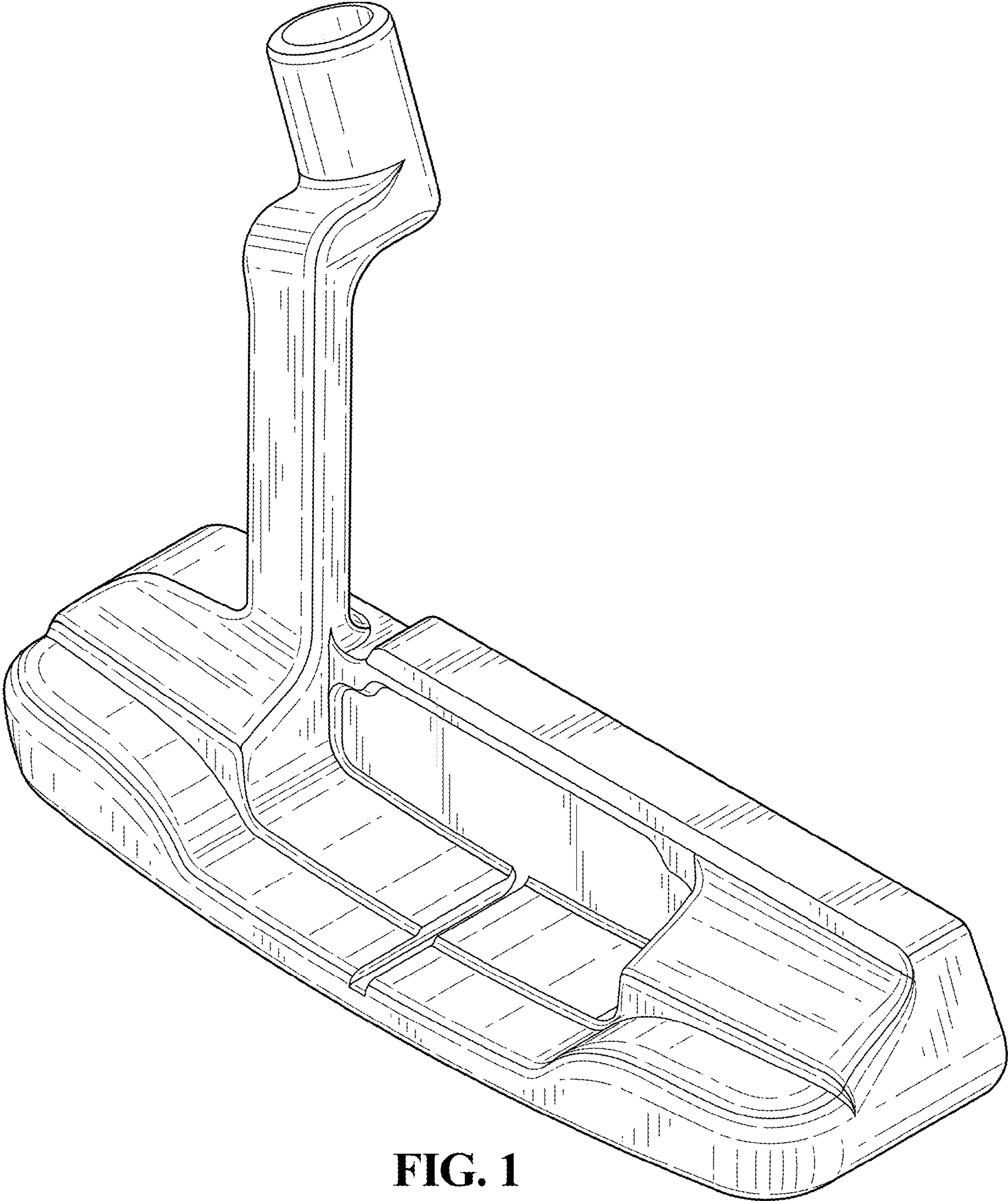


FIG. 1

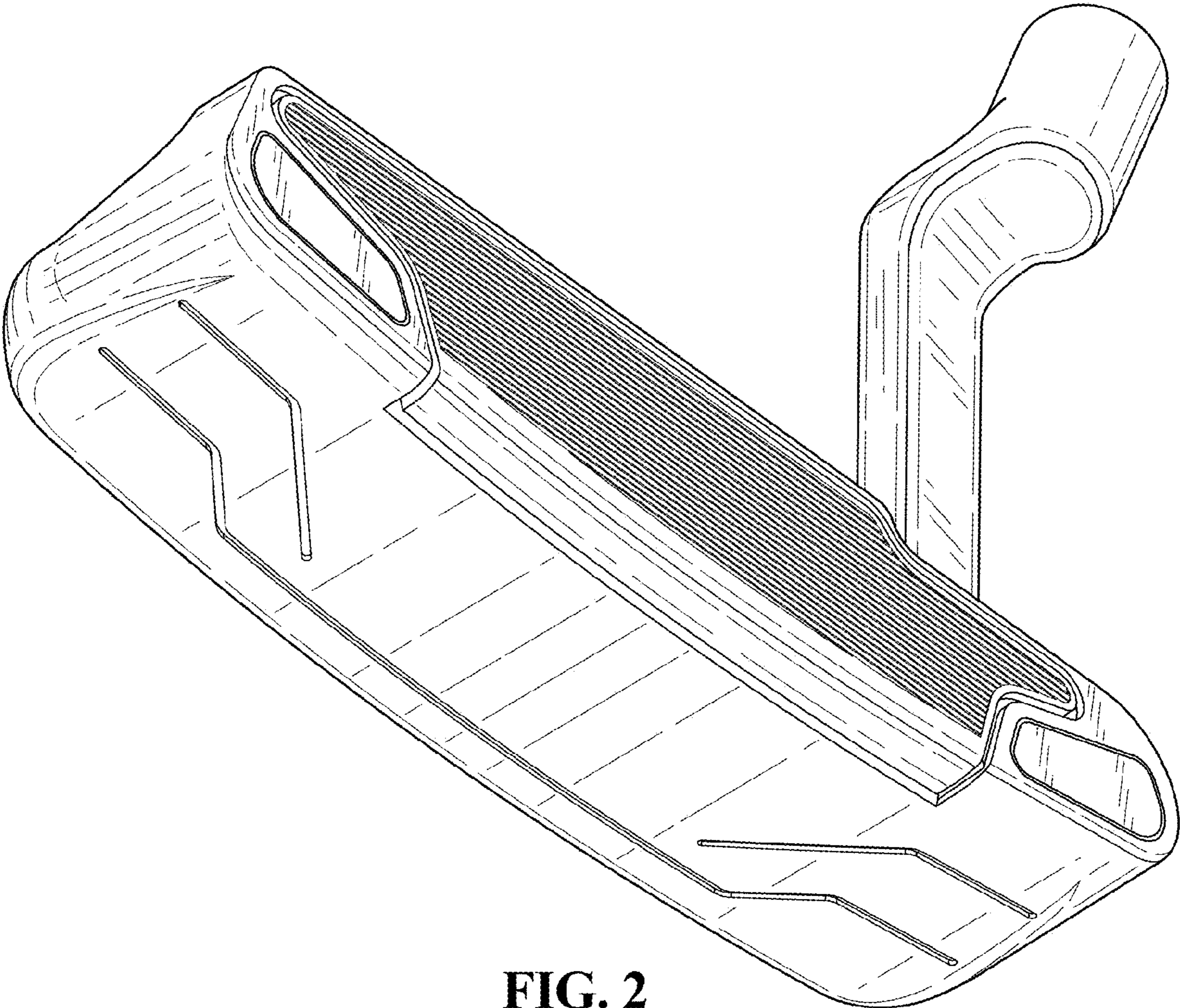


FIG. 2

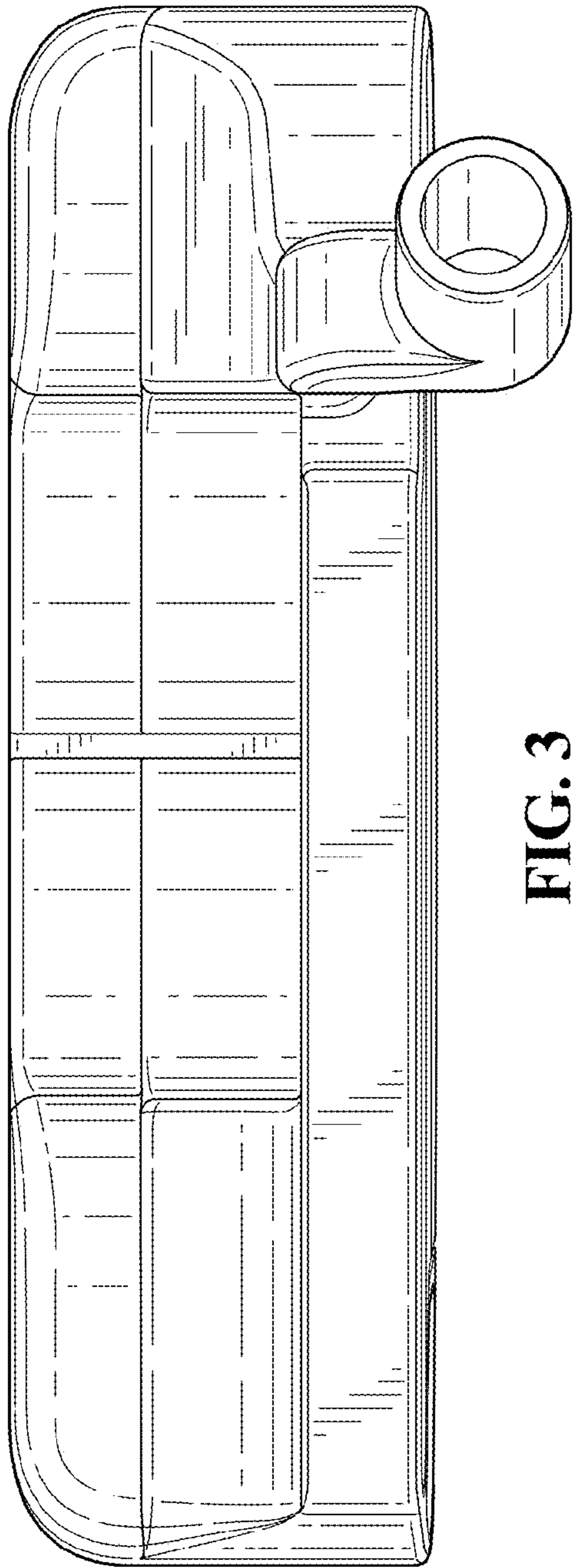


FIG. 3

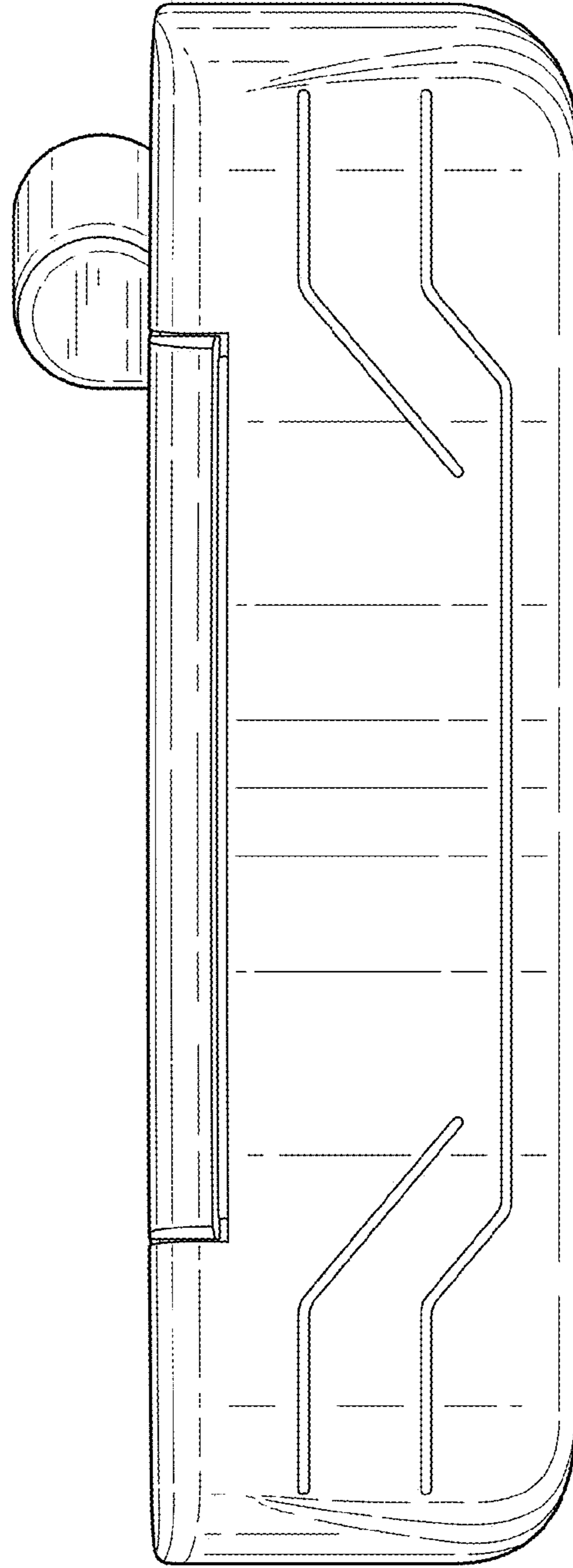


FIG. 4

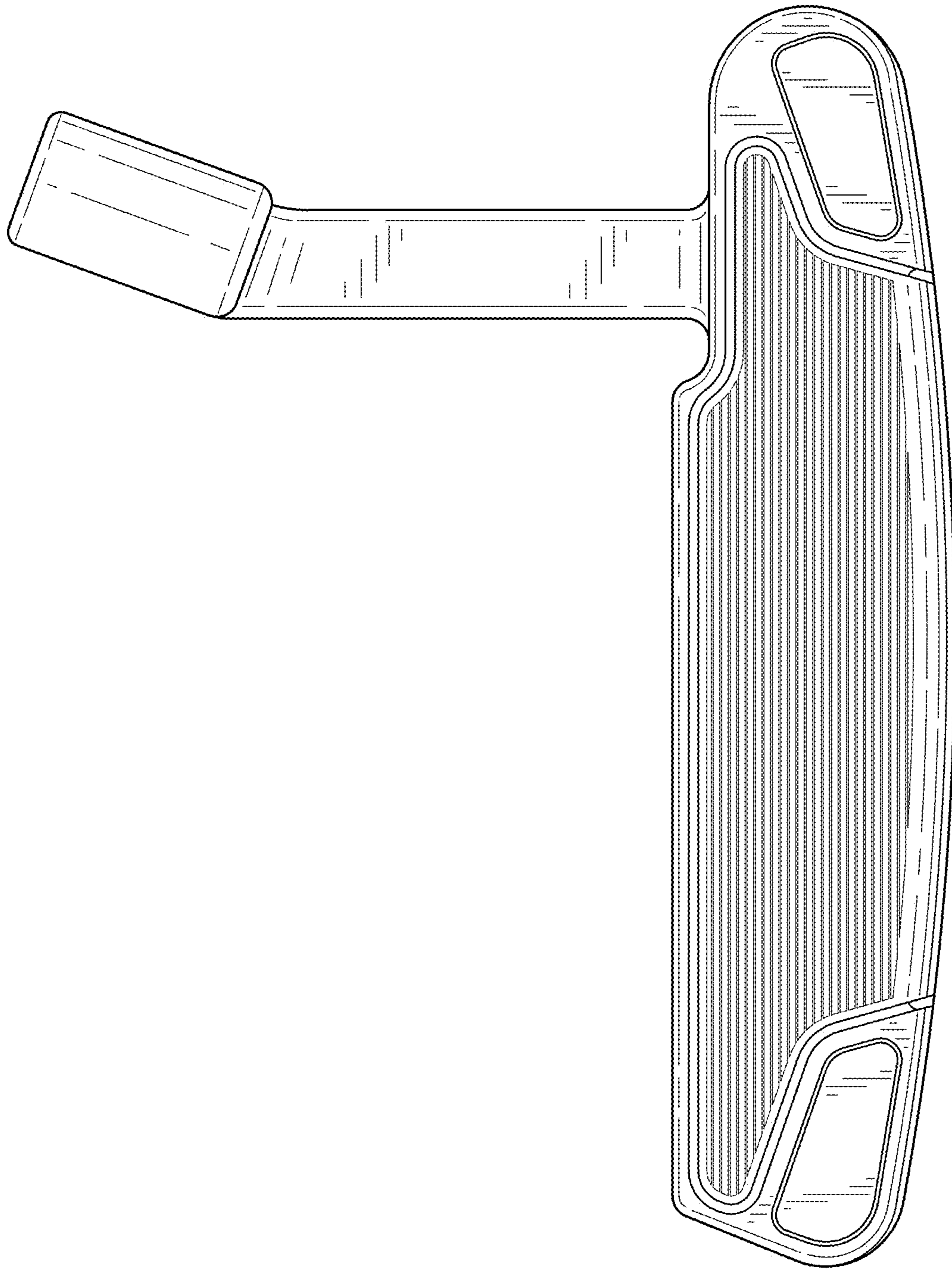


FIG. 5

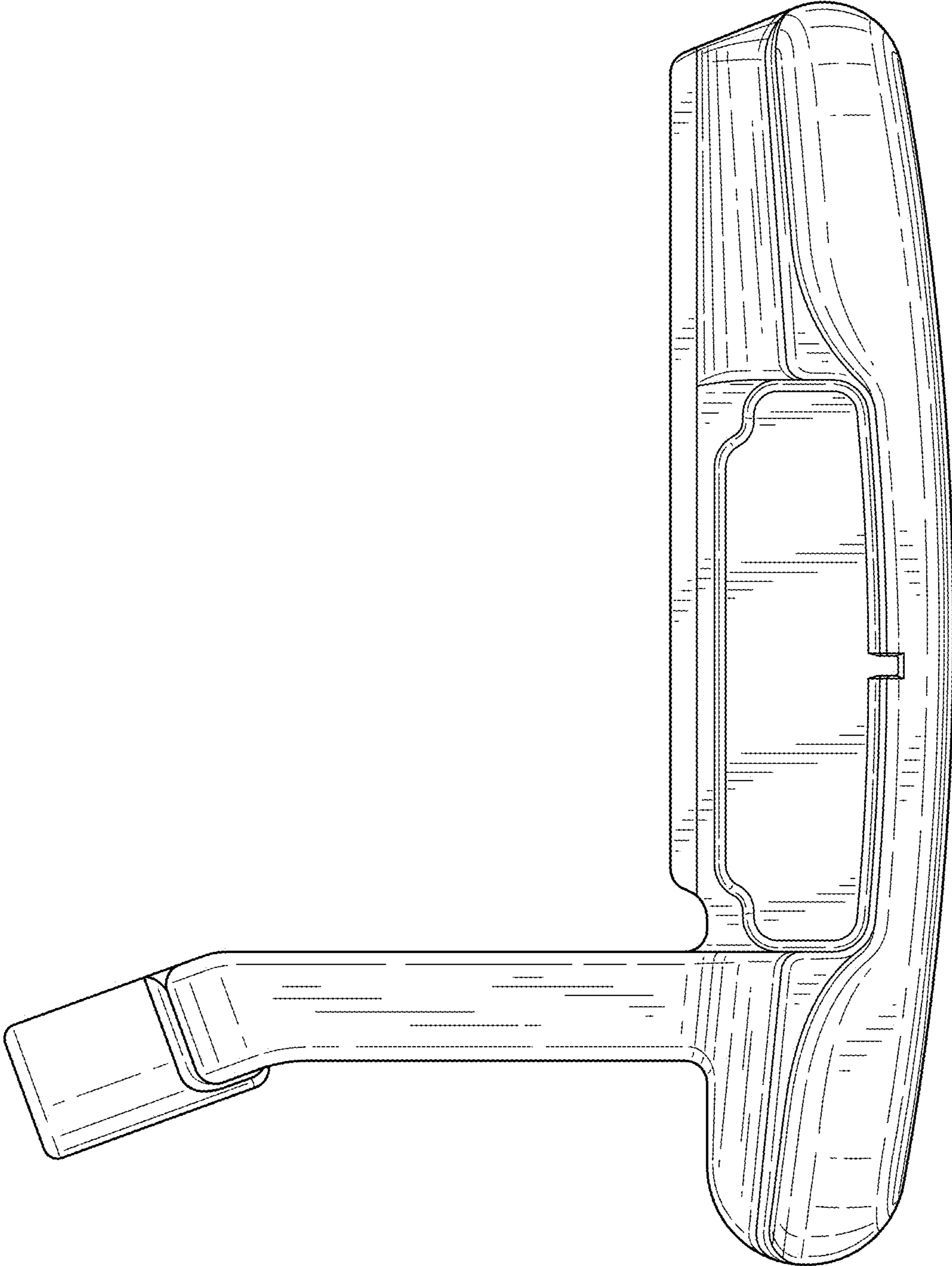


FIG. 6

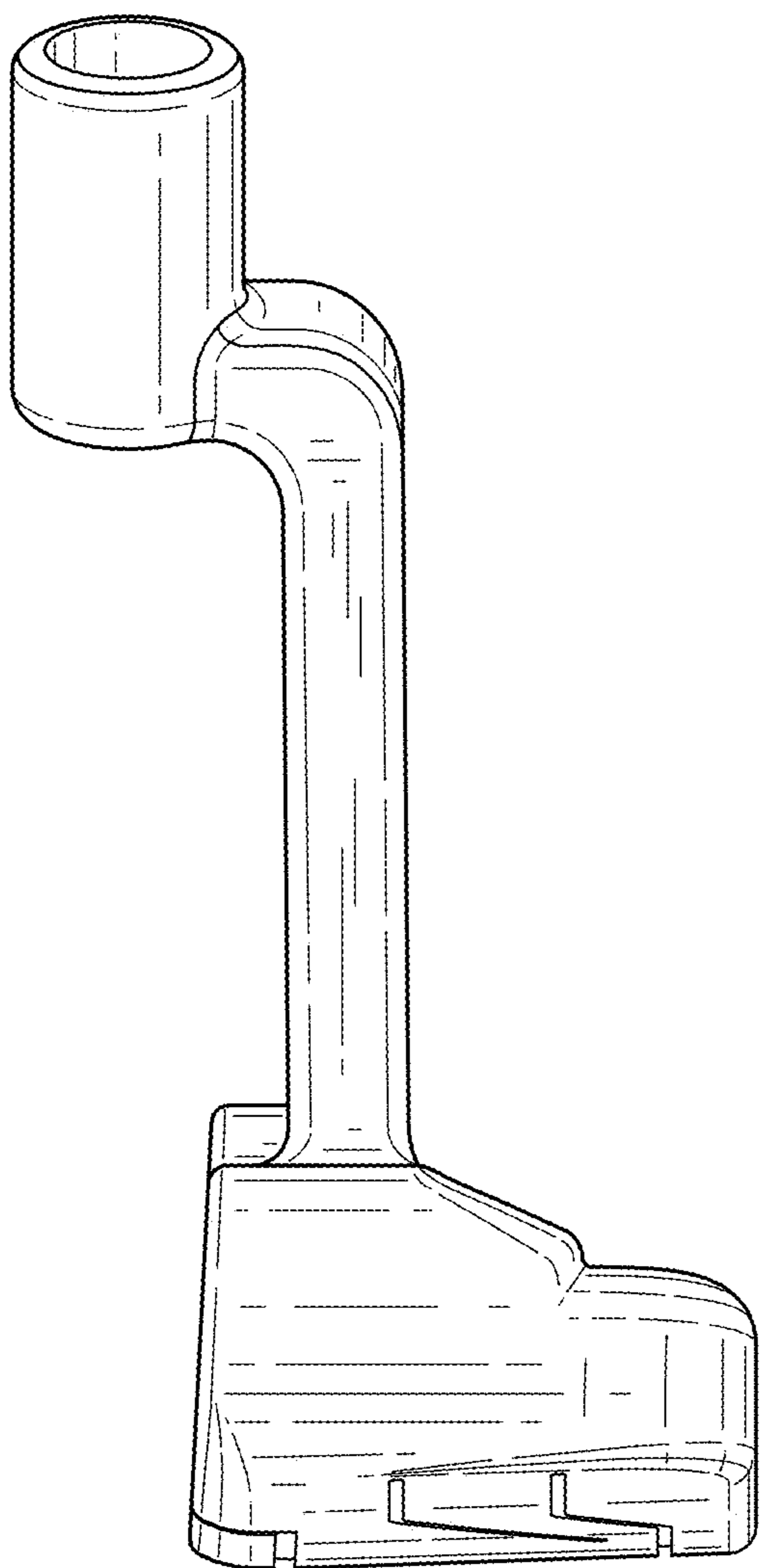


FIG. 7

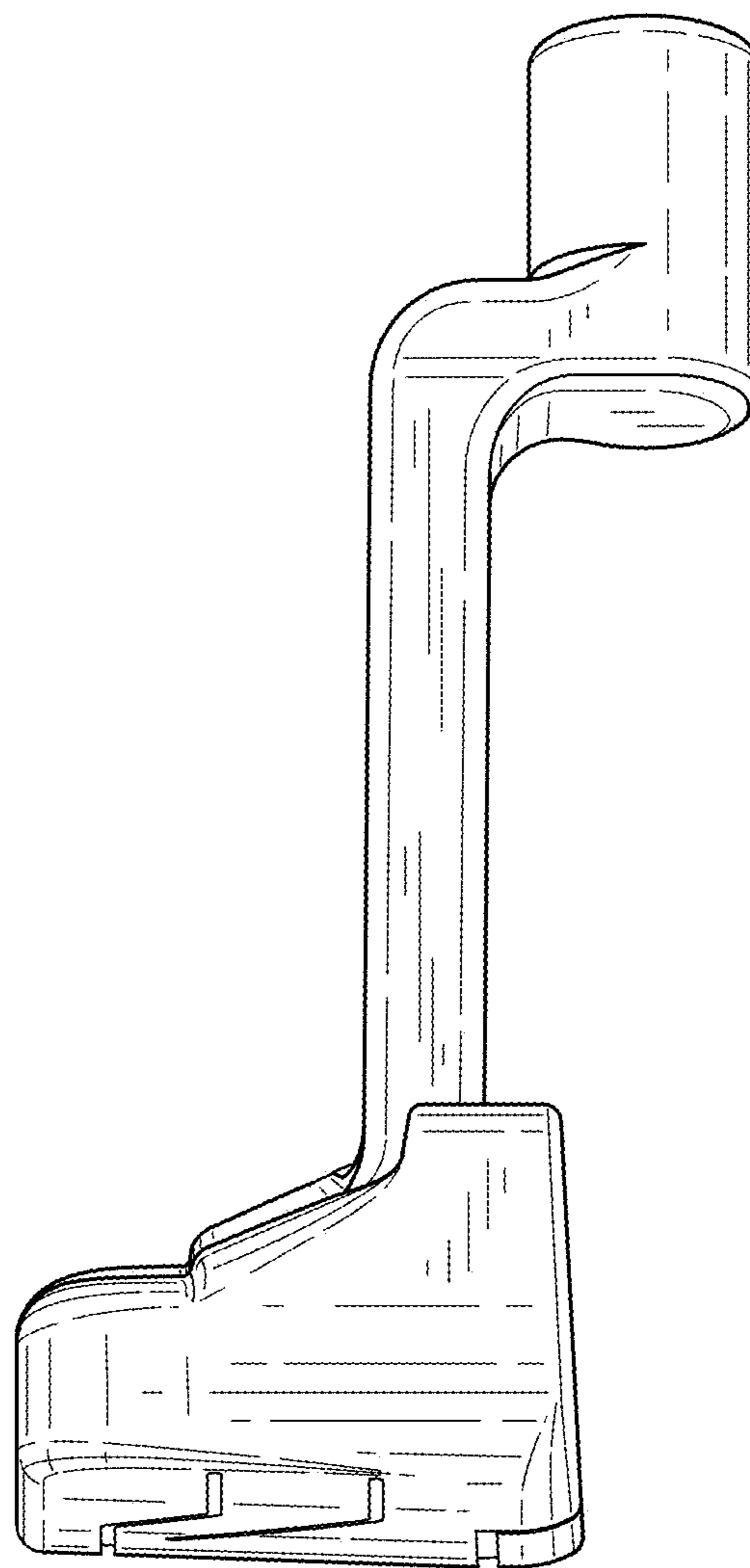


FIG. 8