



US00D975217S

(12) **United States Design Patent**  
**Feng**

(10) **Patent No.:** **US D975,217 S**  
(45) **Date of Patent:** **\*\* Jan. 10, 2023**

- (54) **DUMB BELL STOOL**
- (71) Applicant: **NINGBO TIANDE XINYI TRADING CO., LTD.**, Ningbo (CN)
- (72) Inventor: **Keni Feng**, Guangdong (CN)
- (73) Assignee: **NINGBO TIANDE XINYI TRADING CO., LTD.**, Ningbo (CN)
- (\*\*) Term: **15 Years**

2005/0159277	A1*	7/2005	McVay	.....	A63B 21/0622	482/142
2006/0035768	A1*	2/2006	Kowallis	.....	A63B 21/00072	482/121
2006/0035772	A1*	2/2006	Golesh	.....	A63B 21/4029	482/142
2008/0090710	A1*	4/2008	Chung	.....	A63B 21/08	482/142
2009/0286658	A1*	11/2009	James	.....	A63B 21/078	482/104
2010/0125030	A1*	5/2010	Shifferaw	.....	A63B 21/0728	482/94

- (21) Appl. No.: **29/759,870**
- (22) Filed: **Nov. 25, 2020**
- (51) **LOC (14) Cl.** ..... **21-02**
- (52) **U.S. Cl.**  
USPC ..... **D21/690**
- (58) **Field of Classification Search**  
USPC ..... D21/690, 694, 668, 676, 675  
See application file for complete search history.

**OTHER PUBLICATIONS**

Perleacre, announced Oct. 2020[online], [site visited Feb. 7, 2022]. Available on internet, URL:https://www.amazon.com/PERLEACARE-Adjustable-Weight-Bench-Workout/dp/B08GLNNMC3/ref (Year: 2020).\*

(Continued)

*Primary Examiner* — Khawaja Anwar  
*Assistant Examiner* — Julice Seung Eun Oum

(56) **References Cited**

**U.S. PATENT DOCUMENTS**

4,509,746	A *	4/1985	Mask	.....	A63B 21/4029	482/142
D284,297	S *	6/1986	Mahnke	.....	D21/676	
4,883,269	A *	11/1989	Shaver	.....	A63B 23/03525	482/138
D406,290	S *	3/1999	McBride	.....	D21/676	
D425,153	S *	5/2000	Grider	.....	D21/676	
D477,372	S *	7/2003	Garner	.....	D21/690	
7,429,236	B2 *	9/2008	Dalebout	.....	A63B 21/154	482/121
7,981,011	B1 *	7/2011	Batca	.....	A63B 23/03525	482/133
2002/0028733	A1 *	3/2002	Martens	.....	A63B 21/0628	482/99
2005/0049121	A1 *	3/2005	Dalebout	.....	A63B 21/078	482/129

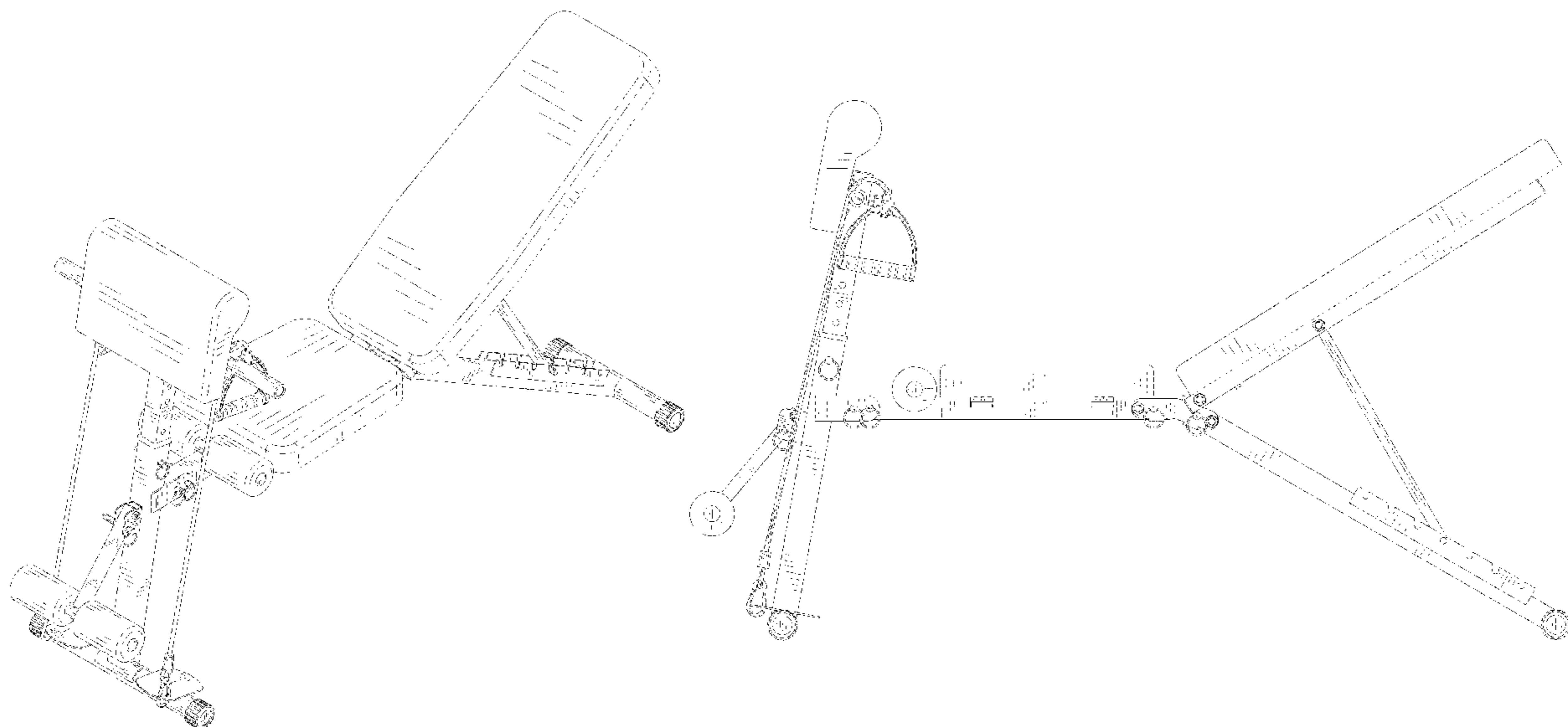
(57) **CLAIM**

The ornamental design for a dumb bell stool, as shown and described.

**DESCRIPTION**

FIG. 1 is a perspective view of a dumb bell stool showing my new design;  
FIG. 2 is a front elevational view thereof;  
FIG. 3 is a rear elevational view thereof;  
FIG. 4 is a left side elevational view thereof;  
FIG. 5 is a right side elevational view thereof;  
FIG. 6 is a top plan view thereof; and,  
FIG. 7 is a bottom plan view thereof.  
The broken lines in the drawings depict portions of the dumb bell stool that form no part of the claimed design.

**1 Claim, 7 Drawing Sheets**



(56)

**References Cited**

OTHER PUBLICATIONS

Bowrow, announced Jul. 2020[online], [site visited Feb. 7, 2022]. Available on internet, URL:<https://www.amazon.com/Adjustable-Backrest-Strength-Training-Foldable/dp/B08CSH1NBR/ref> (Year: 2020).\*

Pelpo, announced Aug. 2020[online], [site visited Feb. 7, 2022]. Available on internet, URL:<https://www.amazon.com/pelpo-Workout-Adjustable-Strength-Training/dp/B08FY2KF9H/ref> (Year: 2020).\*

Dolphy, announced Sep. 2020[online], [site visited Feb. 7, 2022]. Available on internet, URL:<https://www.youtube.com/watch?v=UMbmHYvDmC0> (Year: 2020).\*

\* cited by examiner

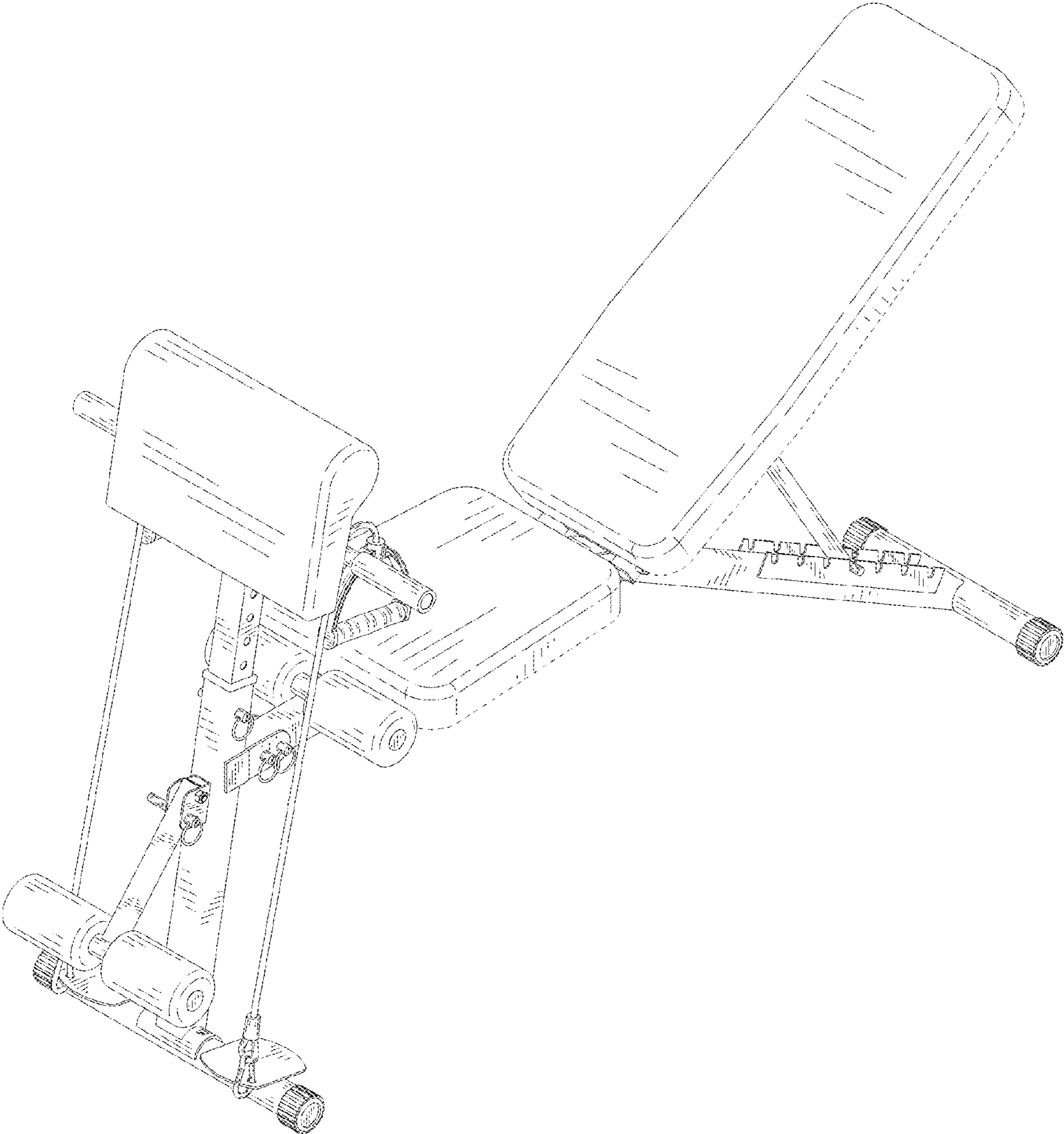


FIG. 1

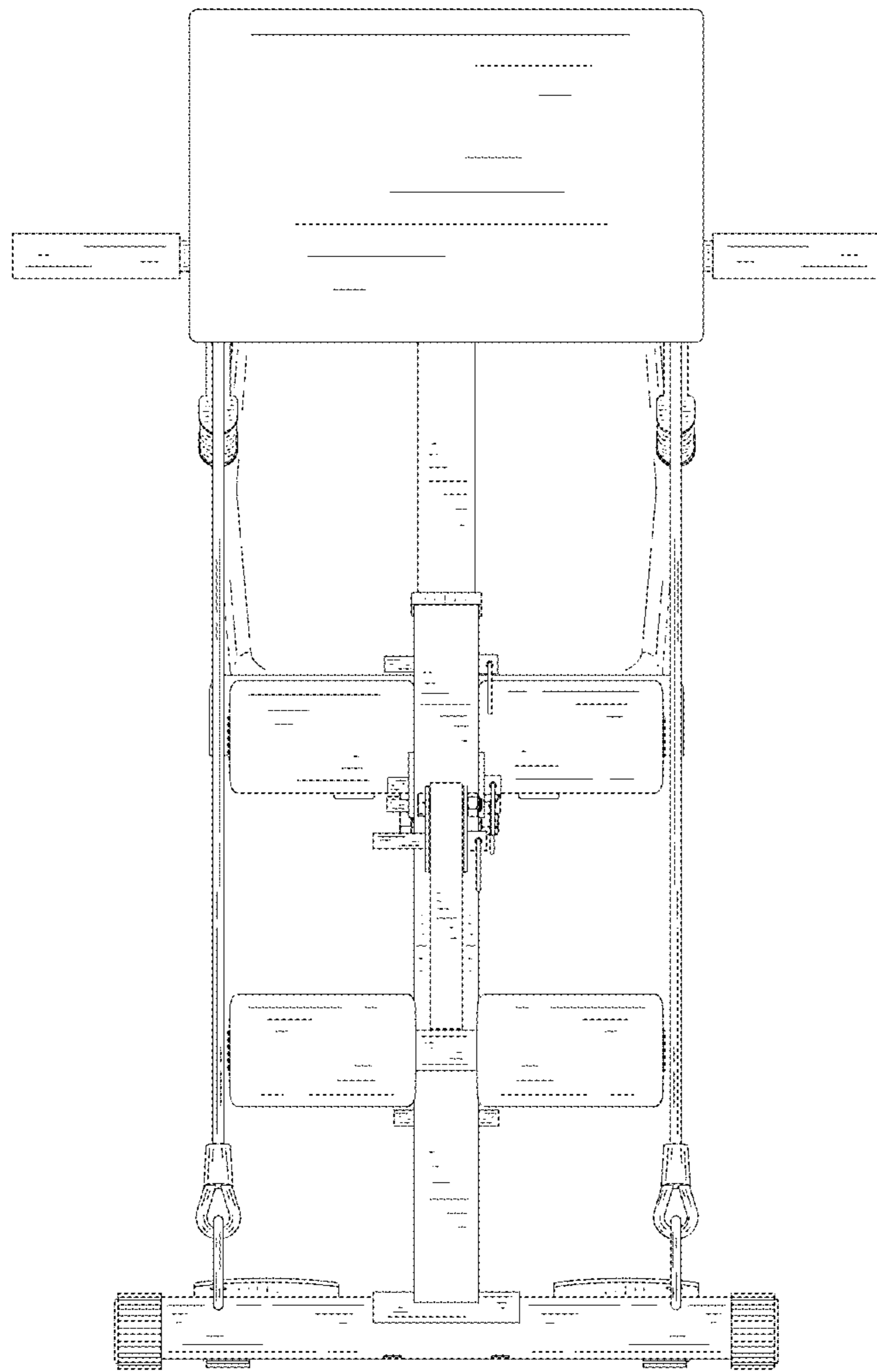


FIG. 2

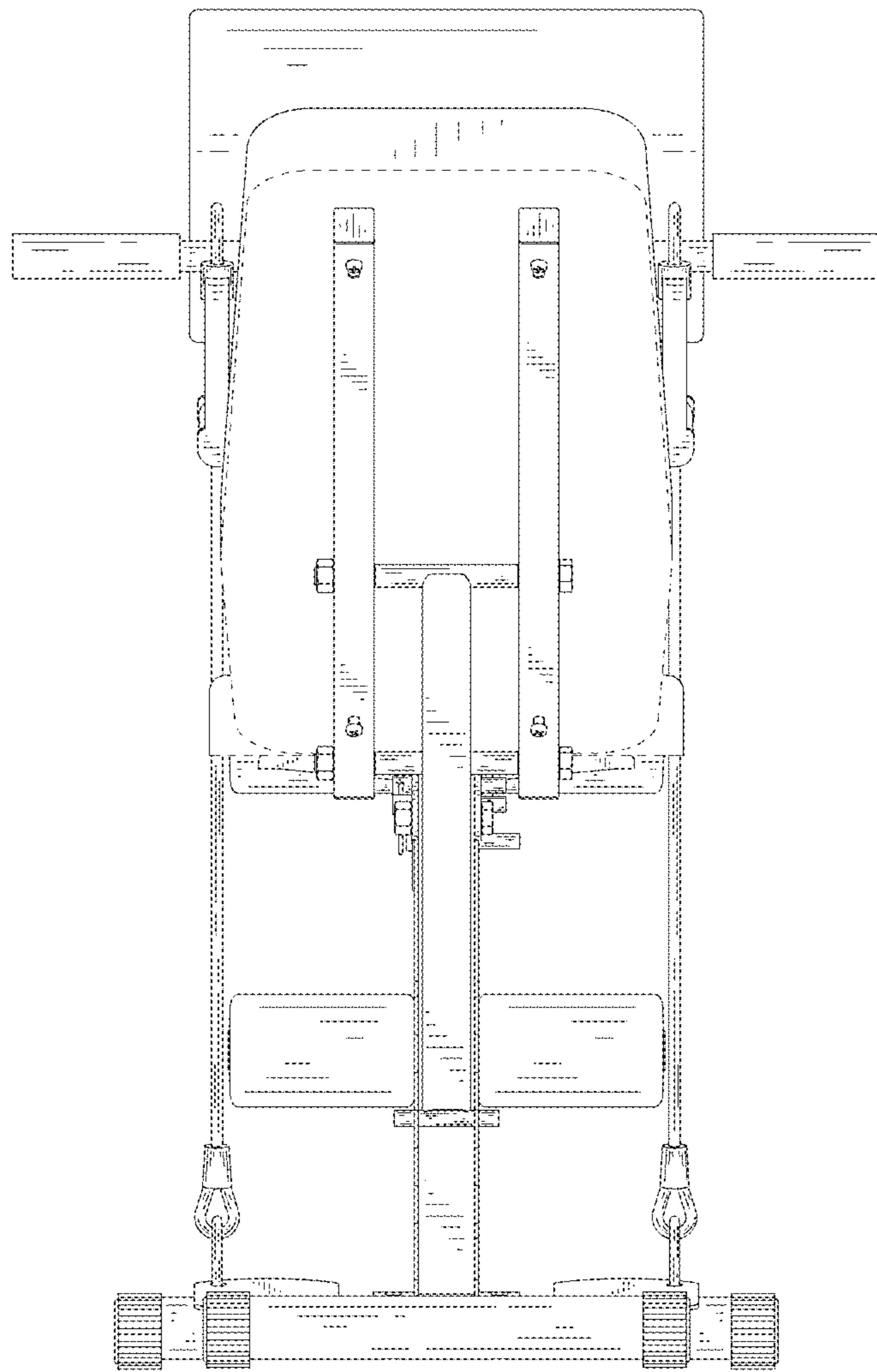


FIG. 3



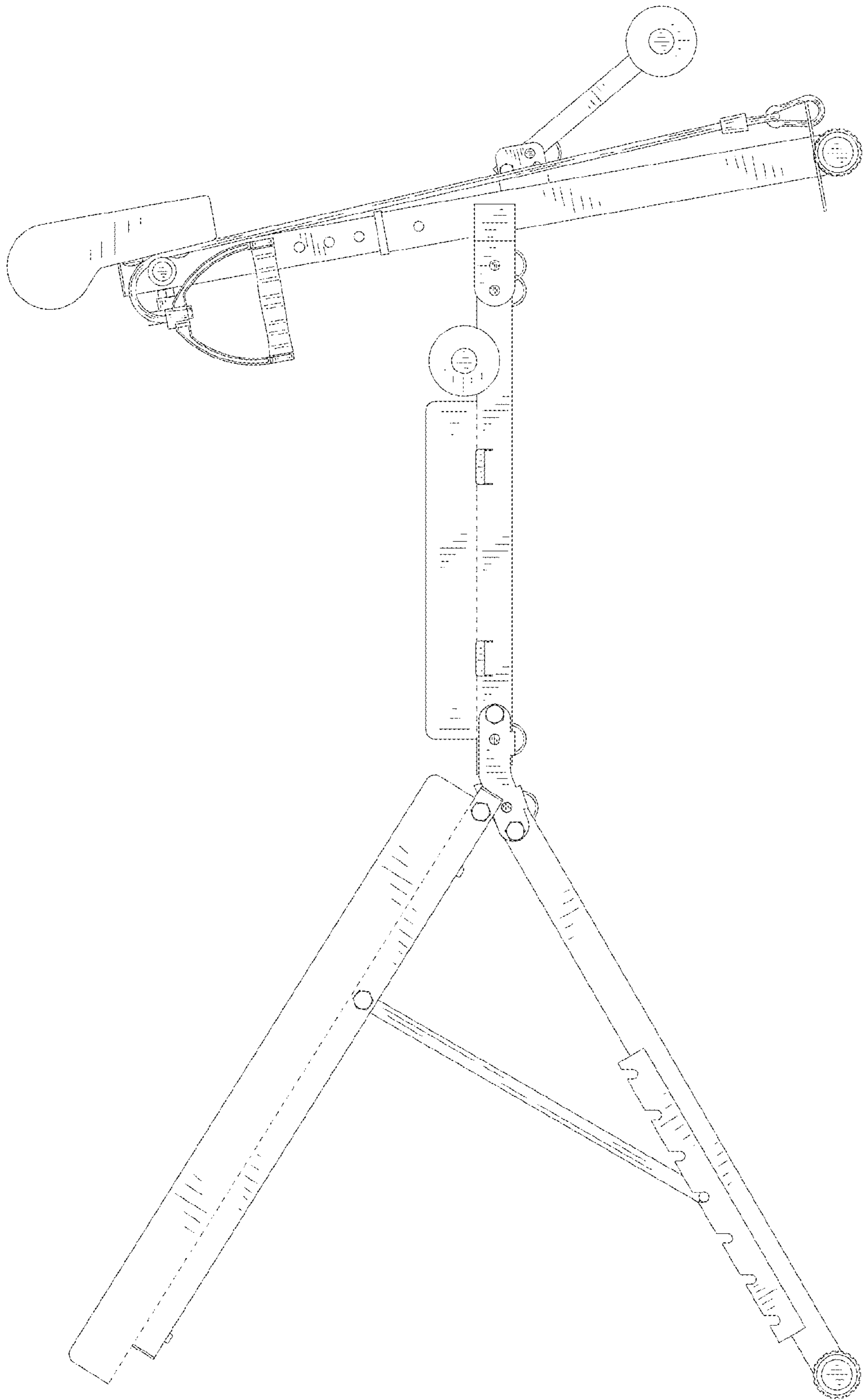


FIG. 4

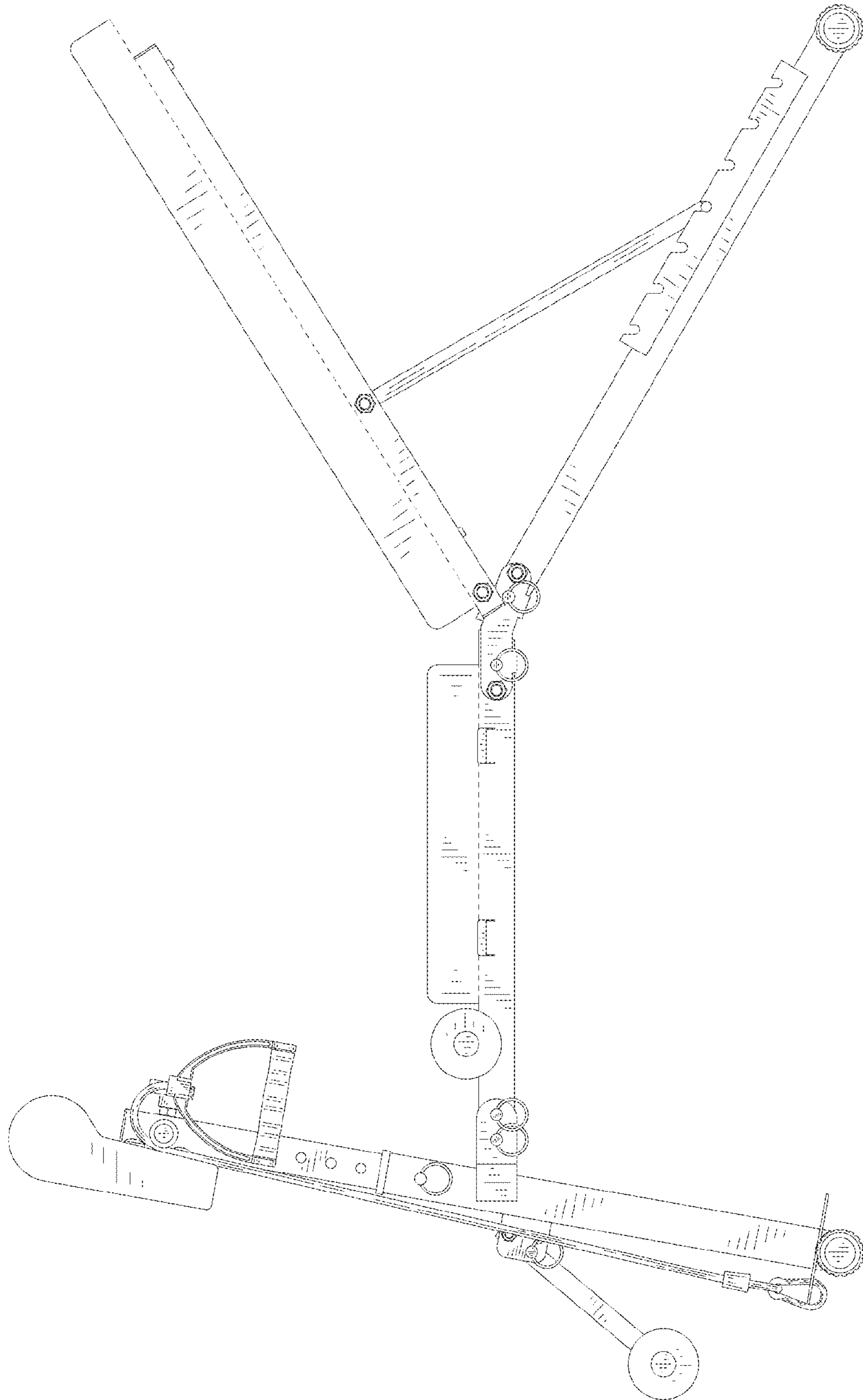


FIG. 5

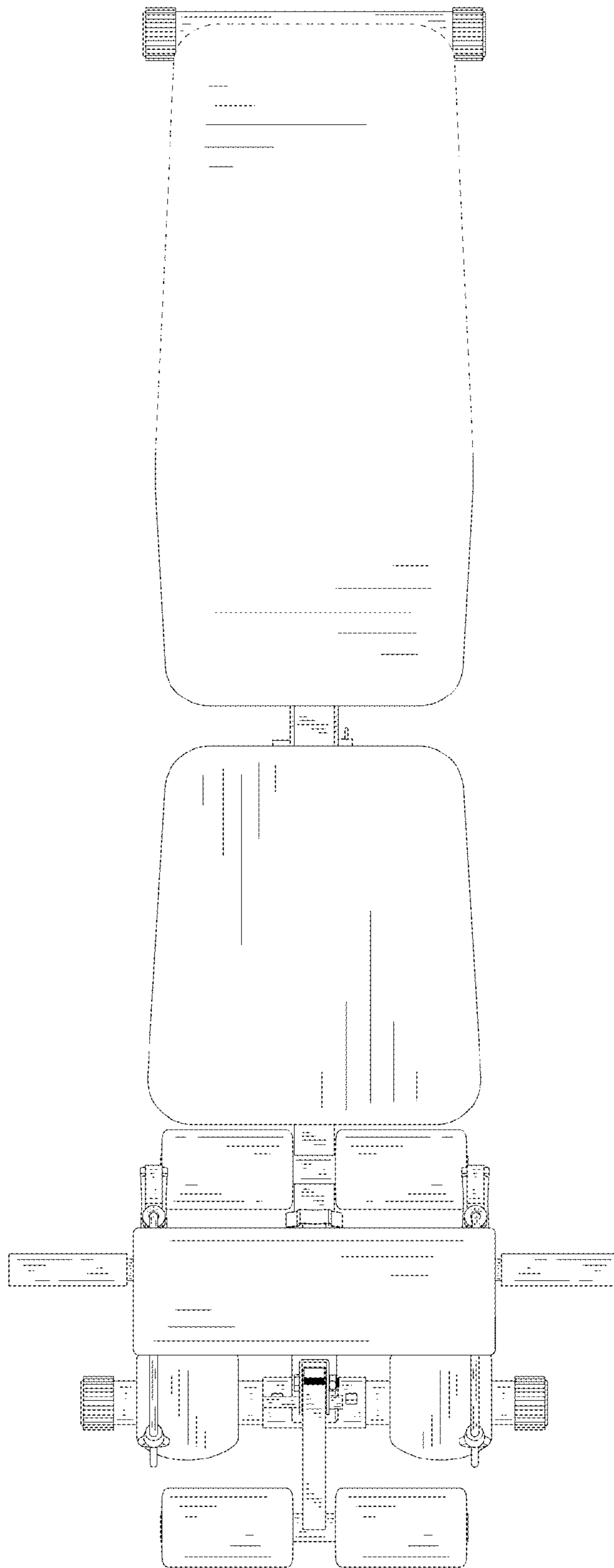


FIG. 6



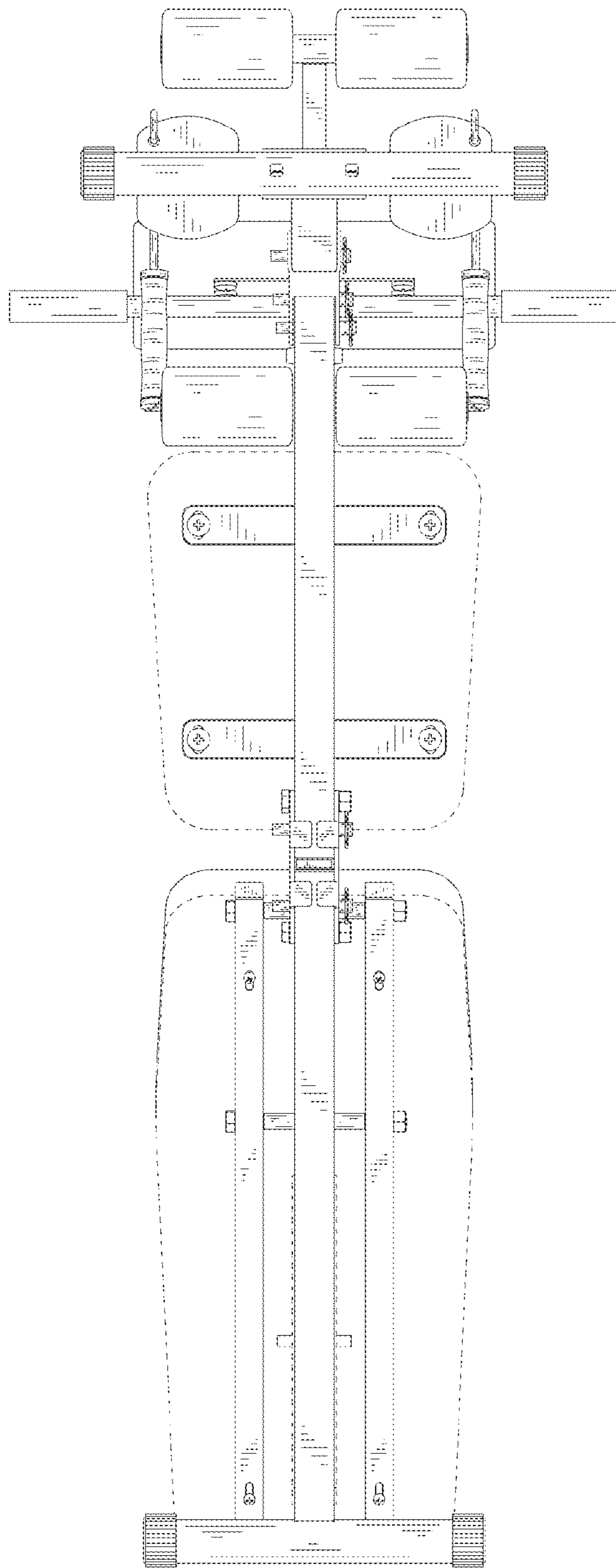


FIG. 7