



US00D975212S

(12) **United States Design Patent**
Horita et al.

(10) **Patent No.:** **US D975,212 S**
(45) **Date of Patent:** **** Jan. 10, 2023**

(54) **FITNESS EQUIPMENT UNIT WITH STEPS**

2015/0190670 A1* 7/2015 Strommen A63B 21/0057
2019/0022455 A1* 1/2019 Kueker A63B 21/0058
2022/0023708 A1* 1/2022 Marjama A63B 21/00069

(71) Applicant: **PELOTON INTERACTIVE, INC.**,
New York, NY (US)

(72) Inventors: **Sean K. Horita**, Woodinville, WA
(US); **Daniel H. Norberg**, Seattle, WA
(US); **Bradley J. Sliger**, Woodinville,
WA (US)

(73) Assignee: **Peloton Interactive, Inc.**, New York,
NY (US)

(**) Term: **15 Years**

(21) Appl. No.: **29/766,712**

(22) Filed: **Jan. 18, 2021**

(51) **LOC (14) Cl.** **21-02**

(52) **U.S. Cl.**
USPC **D21/670; D21/671**

(58) **Field of Classification Search**
USPC D21/663, 666, 668, 669, 670, 671
CPC A63B 2230/06; A63B 2230/75; A63B
22/0017; A63B 22/02; A63B 23/04
See application file for complete search history.

(56) **References Cited**

U.S. PATENT DOCUMENTS

D343,879 S * 2/1994 Koga D21/670
5,352,166 A * 10/1994 Chang A63B 69/0048
482/52
D363,097 S * 10/1995 Tsushi D21/670
D680,599 S * 4/2013 Orenstein D21/671
D690,375 S * 9/2013 Horita D21/668
D749,683 S * 2/2016 Staal D21/671
D760,852 S * 7/2016 Appleton D25/63
D820,922 S * 6/2018 Saragoni D21/670
D927,616 S * 8/2021 Horita D21/696
D928,257 S * 8/2021 Horita D21/696
2012/0238409 A1* 9/2012 Halsey A63B 21/0053

OTHER PUBLICATIONS

“StairMaster 10 Series” Nov. 23, 2019, Amazon, site visited May 12, 2022: <https://amzn.to/3157odC> (Year: 2019).
“StairMaster 8 Series Guantlet” Aug. 12, 2020, Fitness Superstore, site visited May 12, 2022: <https://www.fitnesssuperstore.com/Stairmaster-8-Series-Guantlet-15-Touch-Screen-p/smgantlet8sx.htm> (Year: 2020).
“Behind the Scenes—True Palisade Climber” May 31, 2019, YouTube, site visited May 17, 2022: <https://youtu.be/LWCVUKaEwOk> (Year: 2019).*

* cited by examiner

Primary Examiner — Jack Reickel

Assistant Examiner — Salamah Jordan

(74) *Attorney, Agent, or Firm* — Haynes and Boone, LLP

(57) **CLAIM**

We claim the ornamental design for a fitness equipment unit with steps, as shown and described.

DESCRIPTION

FIG. 1 is a rear, side perspective view of a fitness equipment unit with steps;

FIG. 2 is a front, top perspective view of the steps of FIG. 1;

FIG. 3 is a rear view of the steps of FIG. 1;

FIG. 4 is a front view of the steps of FIG. 1;

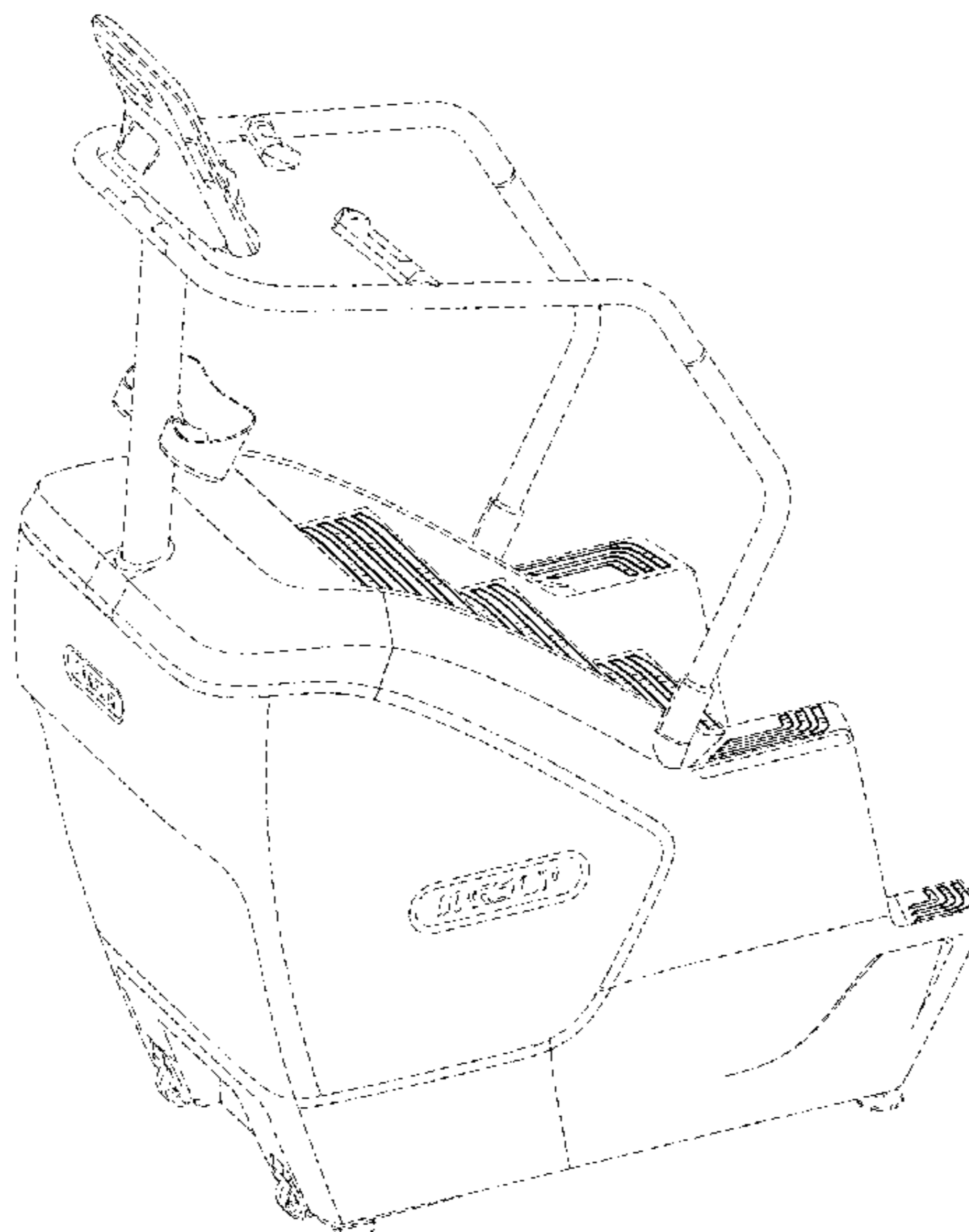
FIG. 5 is a first side view of the steps of FIG. 1;

FIG. 6 a second side view of the steps of FIG. 1; and,

FIG. 7 is a top view of the steps of FIG. 1.

The ornamental design that is claimed is shown in solid lines in the drawings. The broken (dashed) lines shown in the figures are included for the purpose of illustrating environmental elements only and form no part of the claimed design.

1 Claim, 7 Drawing Sheets



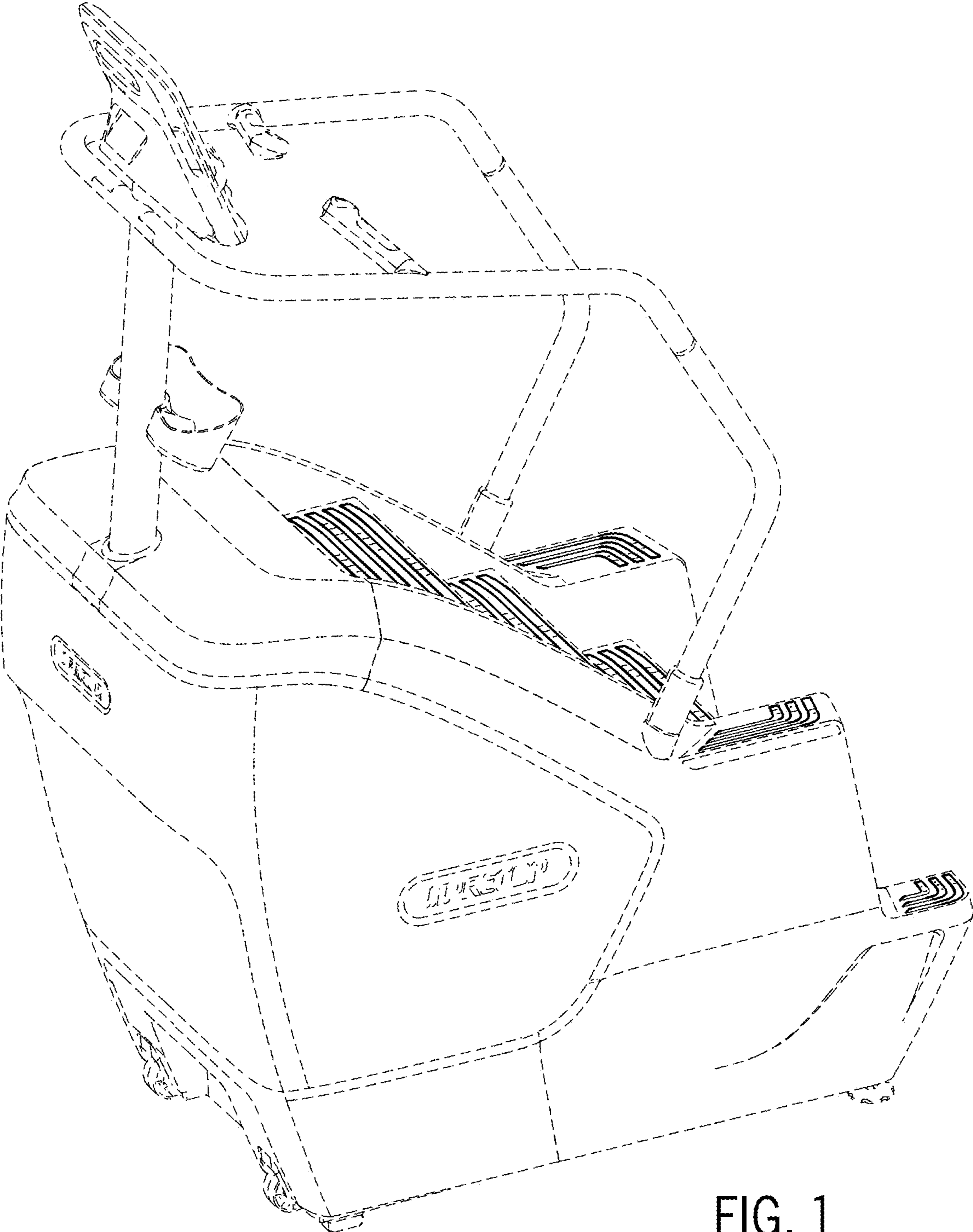


FIG. 1

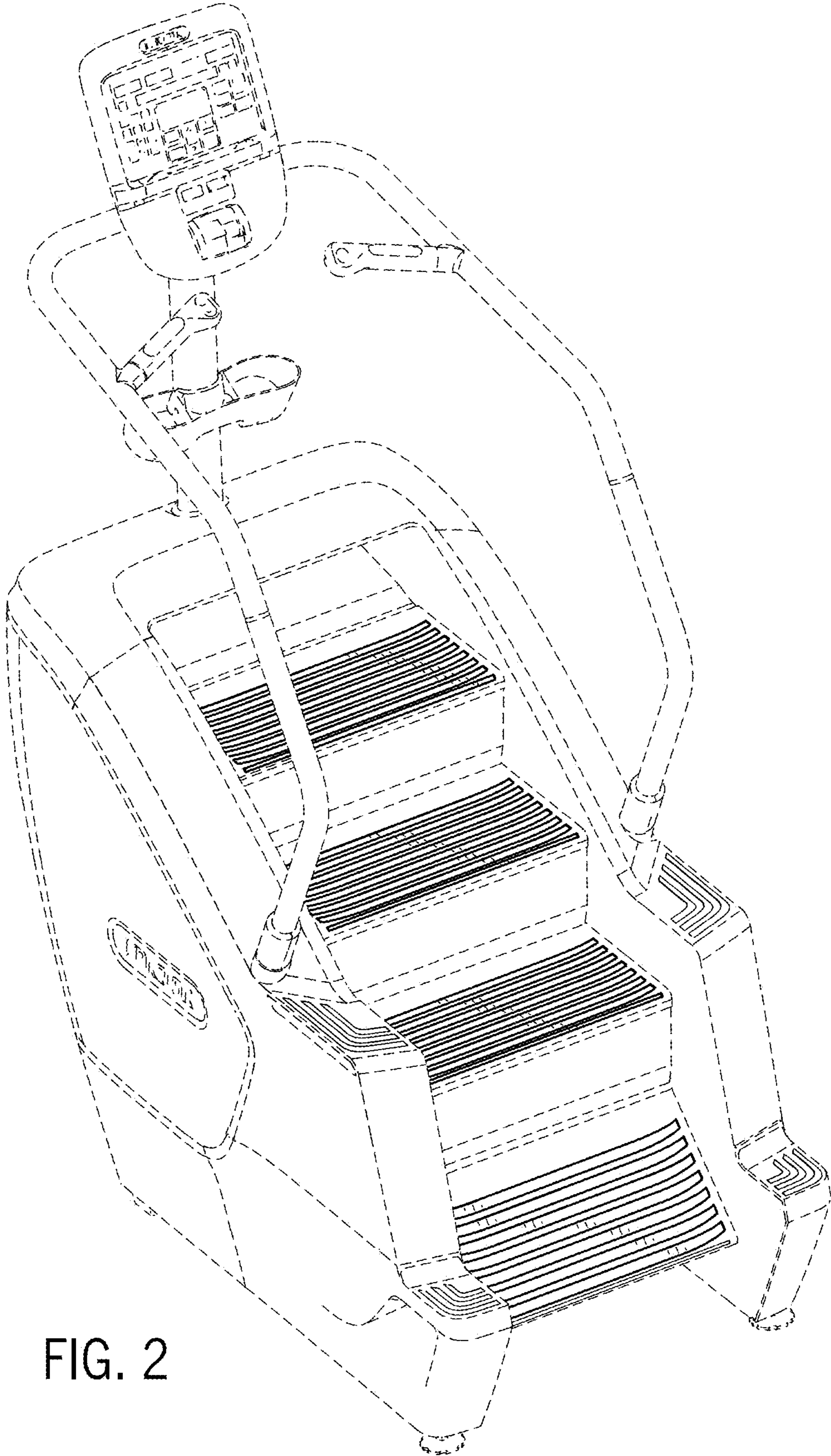


FIG. 2

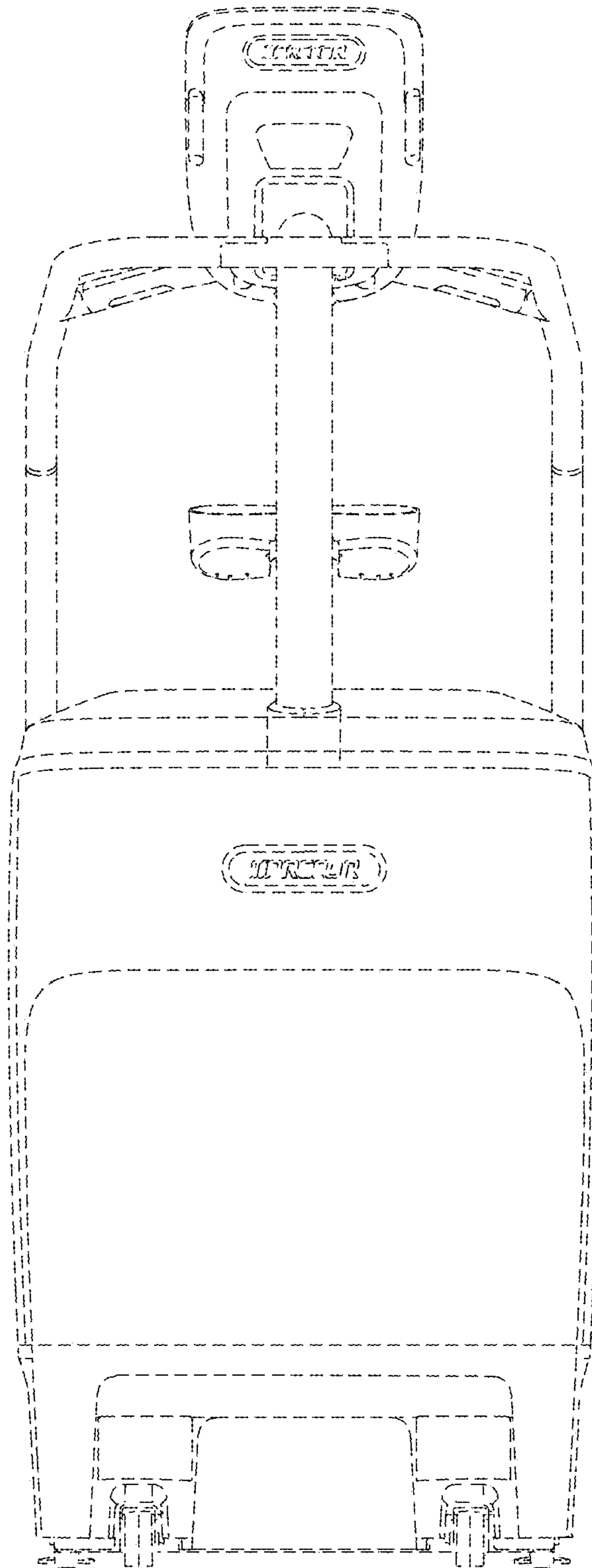


FIG. 3

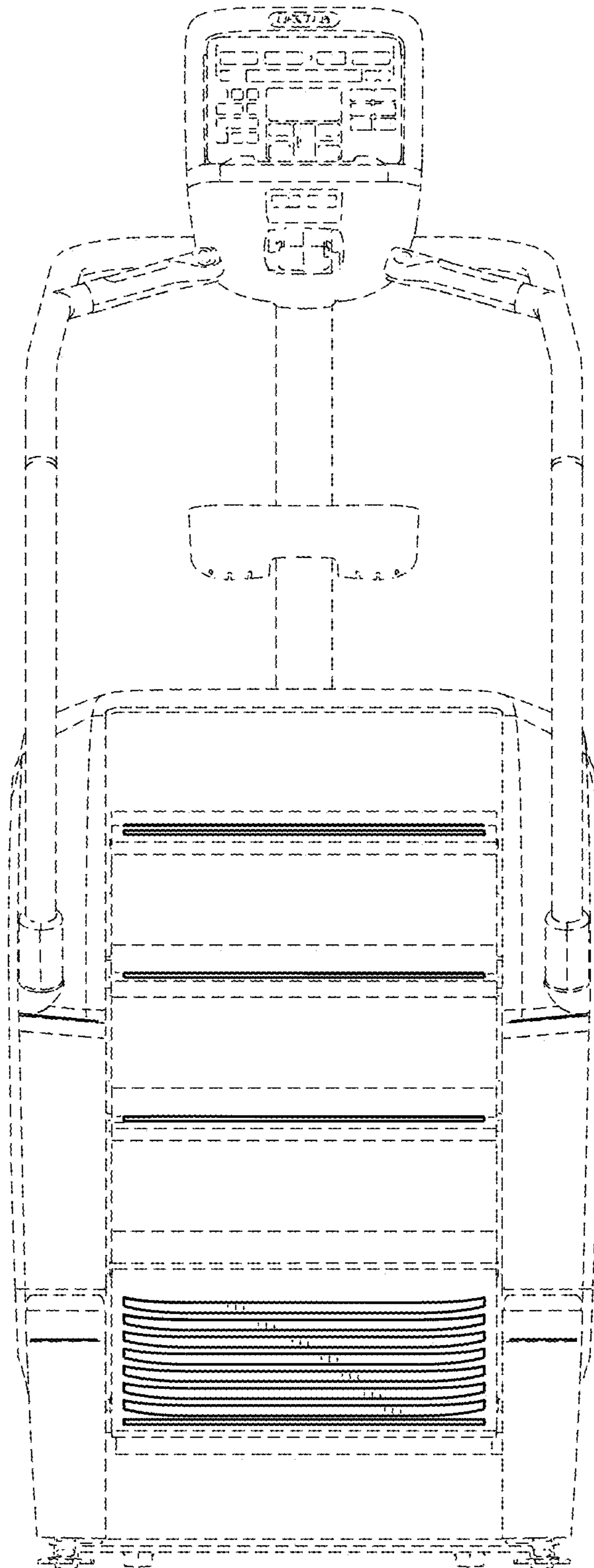


FIG. 4

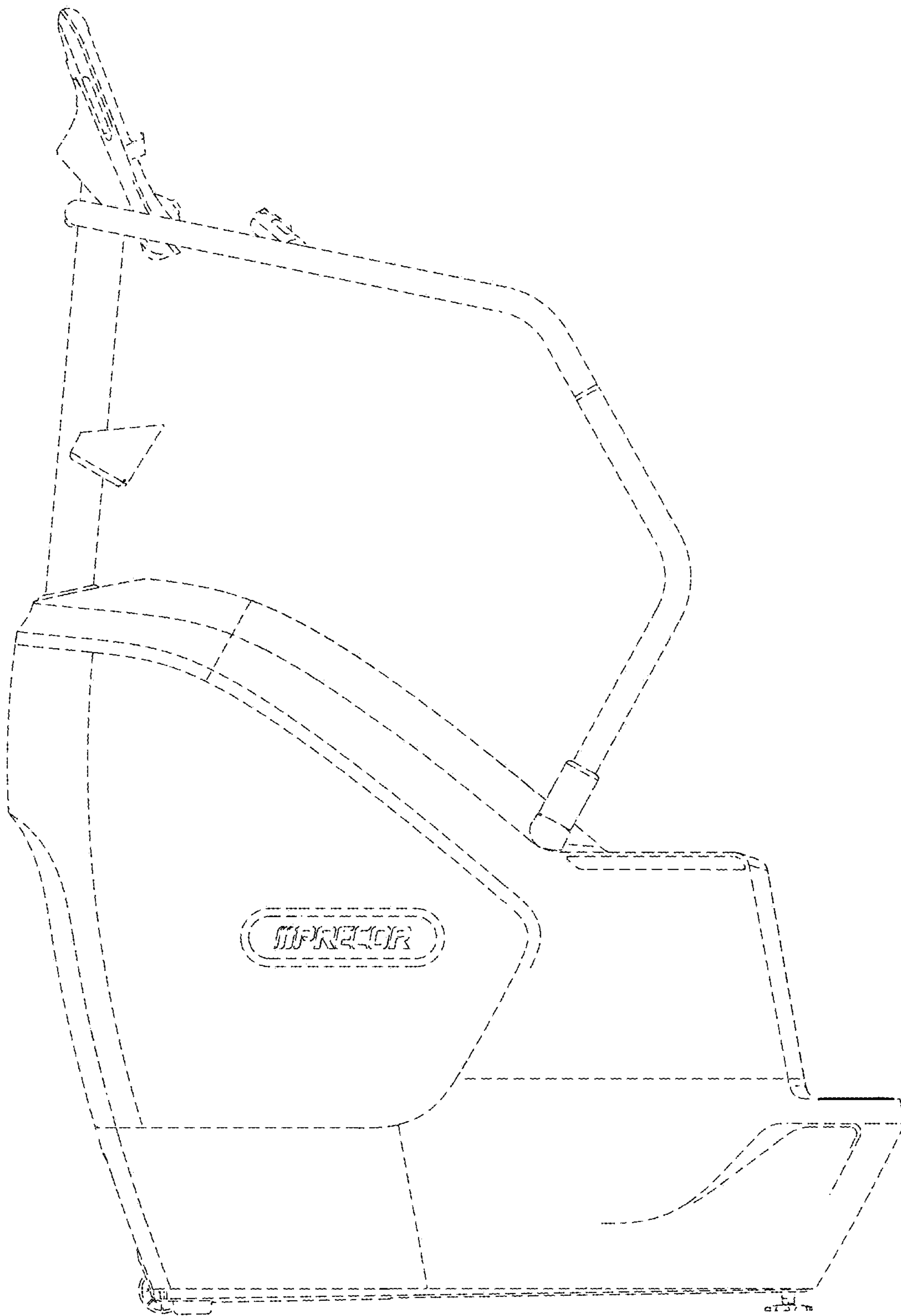


FIG. 5

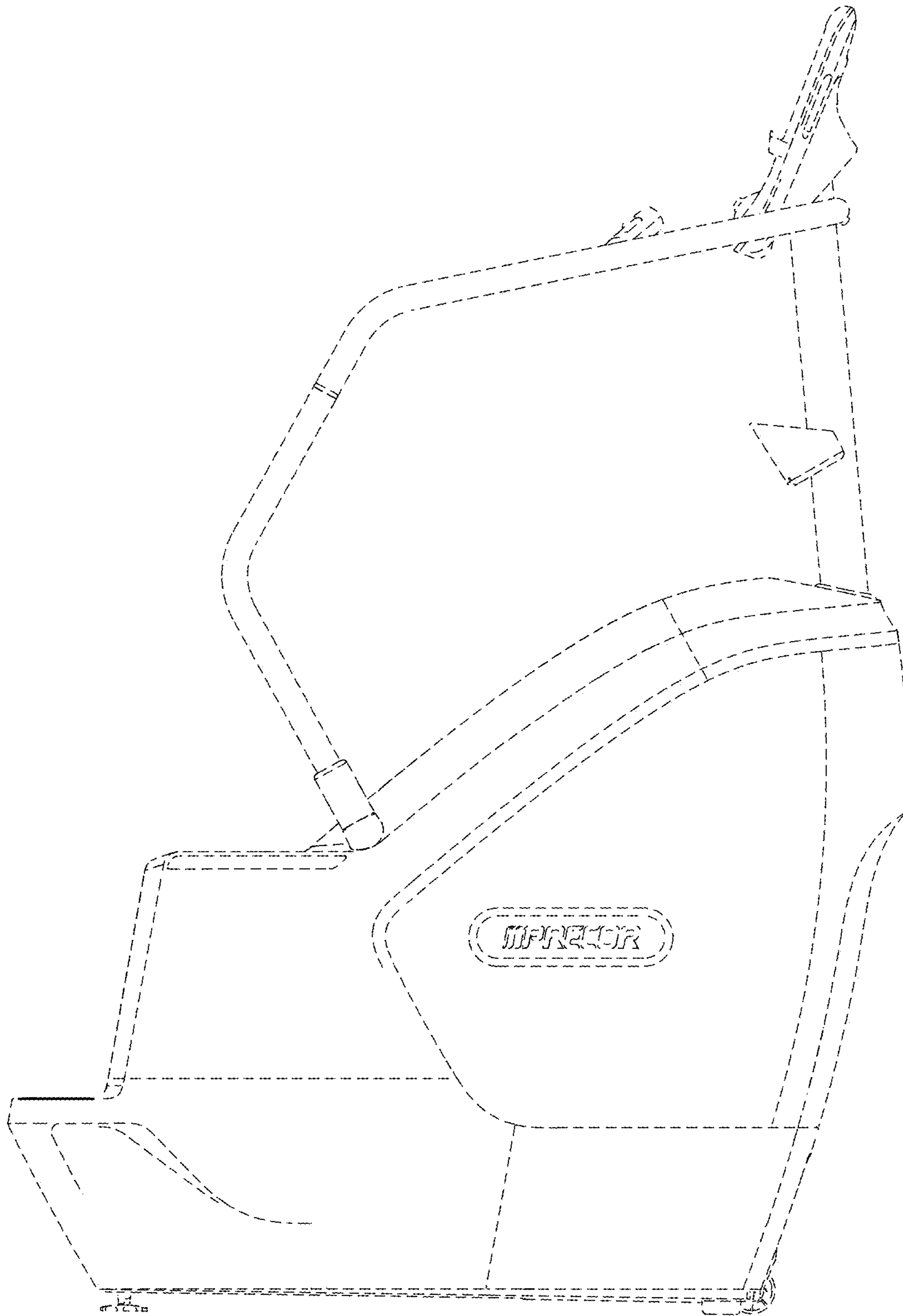


FIG. 6

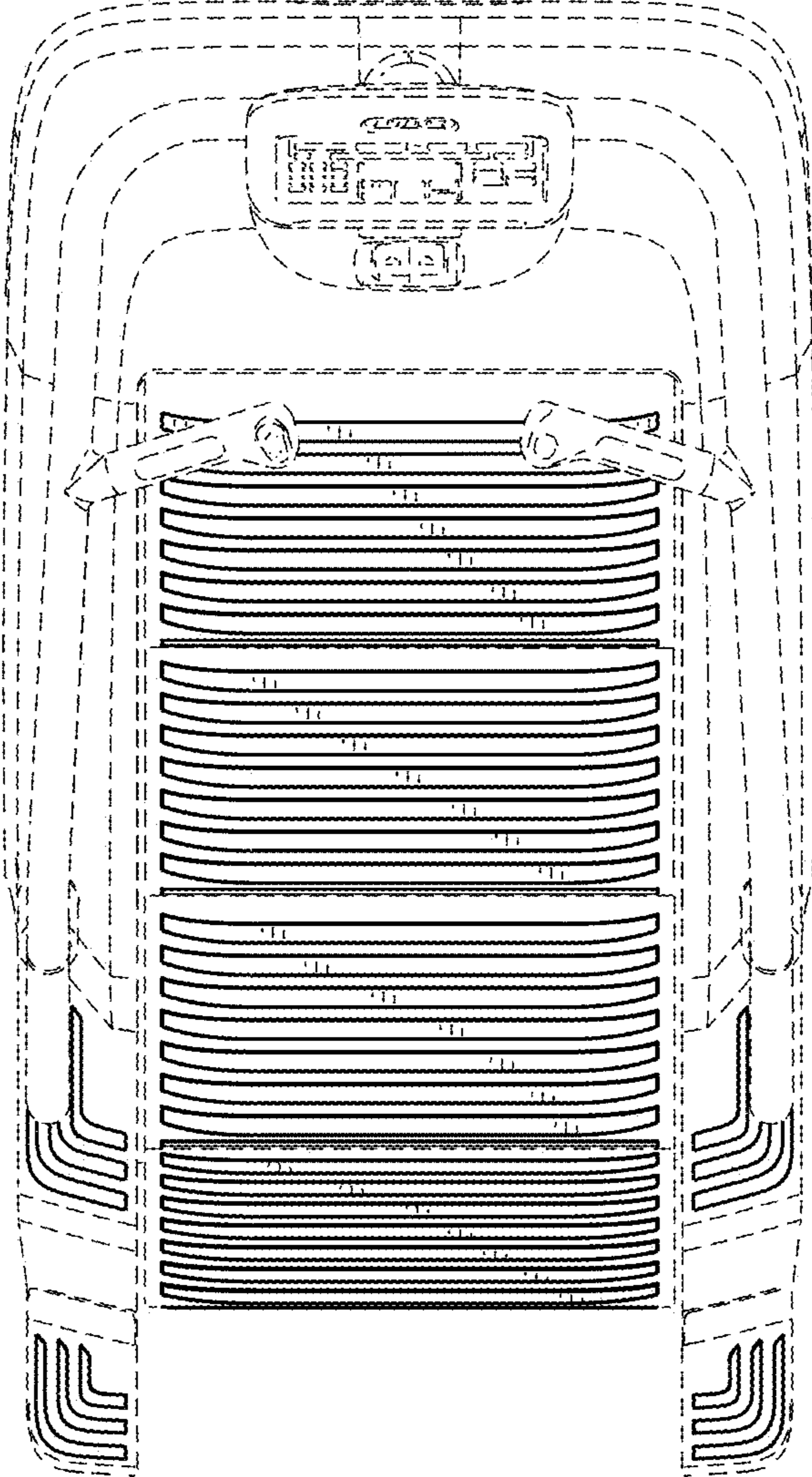


FIG. 7