



US00D975208S

(12) **United States Design Patent** (10) **Patent No.:** **US D975,208 S**  
**Davis et al.** (45) **Date of Patent:** **\*\* Jan. 10, 2023**

(54) **POLYMER BALL SHOOTER**  
(71) Applicant: **Gel Blaster LLC**, Austin, TX (US)  
(72) Inventors: **Eric Alan Davis**, Austin, TX (US);  
**Robert Kovacs**, Budapest (HU); **Colin Guinn**, Austin, TX (US)  
(73) Assignee: **GEL BLASTER LLC**, Austin, TX (US)

D754,796 S \* 4/2016 Sakai ..... D21/333  
D842,393 S \* 3/2019 Xiao ..... D21/575  
D846,038 S \* 4/2019 Lin ..... D22/104  
D855,121 S \* 7/2019 Kim ..... D21/570  
2006/0180134 A1 8/2006 Illuzzi  
2007/0144506 A1 6/2007 Sun et al.  
2011/0265775 A1 11/2011 Maeda  
2011/0271940 A1 11/2011 Meggs et al.  
2012/0024278 A1 2/2012 Carlson et al.  
2017/0336168 A1 11/2017 Hadley et al.  
2021/0108877 A1 4/2021 Bernal

(\*\*) Term: **15 Years**

**FOREIGN PATENT DOCUMENTS**

(21) Appl. No.: **29/799,248**

DE 202011110351 U1 3/2013  
WO 2008/147820 A1 12/2008

(22) Filed: **Jul. 13, 2021**

\* cited by examiner

(51) **LOC (14) Cl.** ..... **21-01**  
(52) **U.S. Cl.**  
USPC ..... **D21/574**

*Primary Examiner* — Cynthia M. Chin  
(74) *Attorney, Agent, or Firm* — Kirby Drake

(58) **Field of Classification Search**  
USPC ..... D21/333, 570, 572–575; D14/418;  
D22/100, 103, 104  
CPC .... F41B 7/00; F41B 7/003; F41B 7/08; F41B  
9/00; F41B 9/0078; F41B 9/0081; F41B  
11/89; A63H 5/04  
See application file for complete search history.

(57) **CLAIM**

The ornamental design for a polymer ball shooter, as shown and described.

(56) **References Cited**

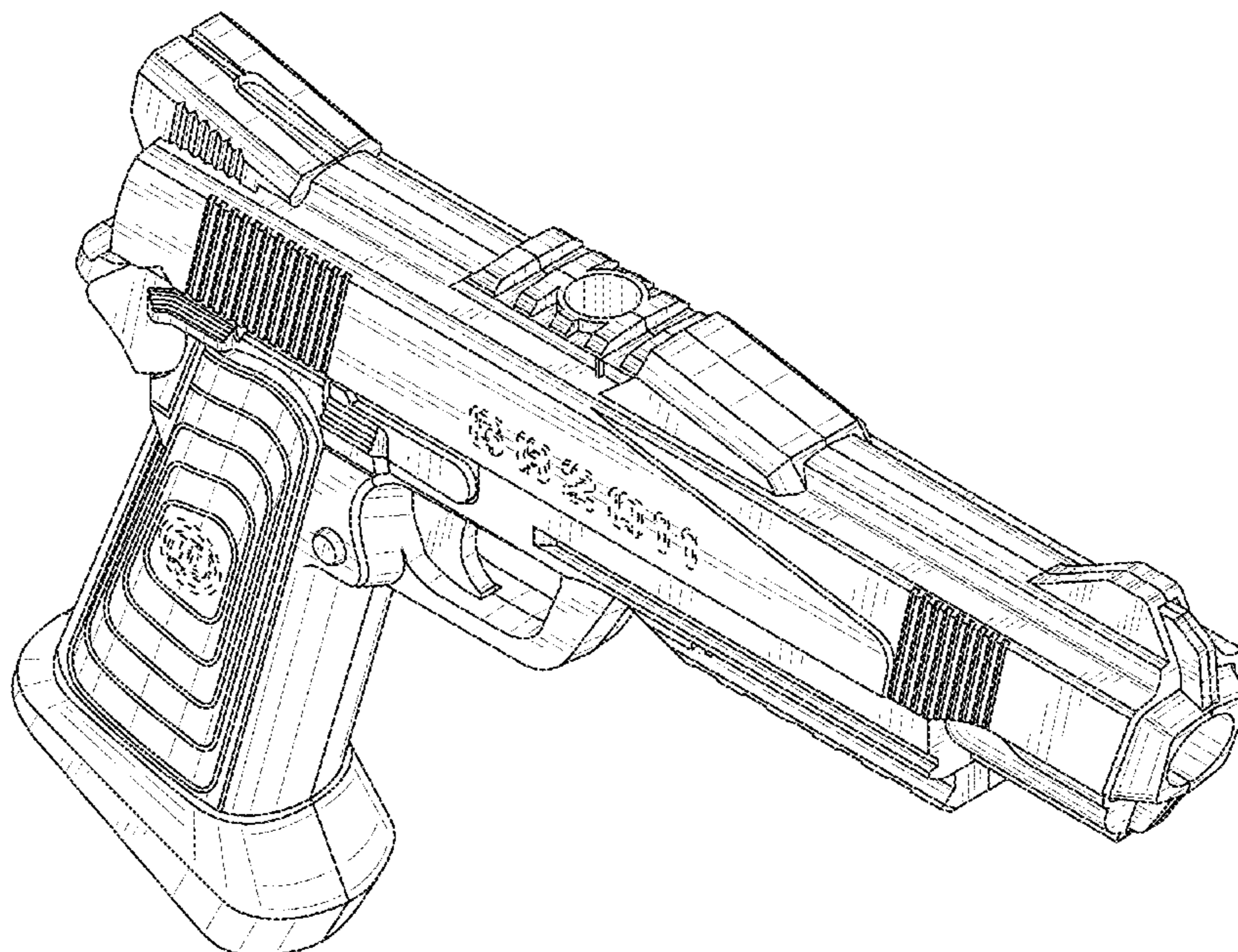
**DESCRIPTION**

**U.S. PATENT DOCUMENTS**

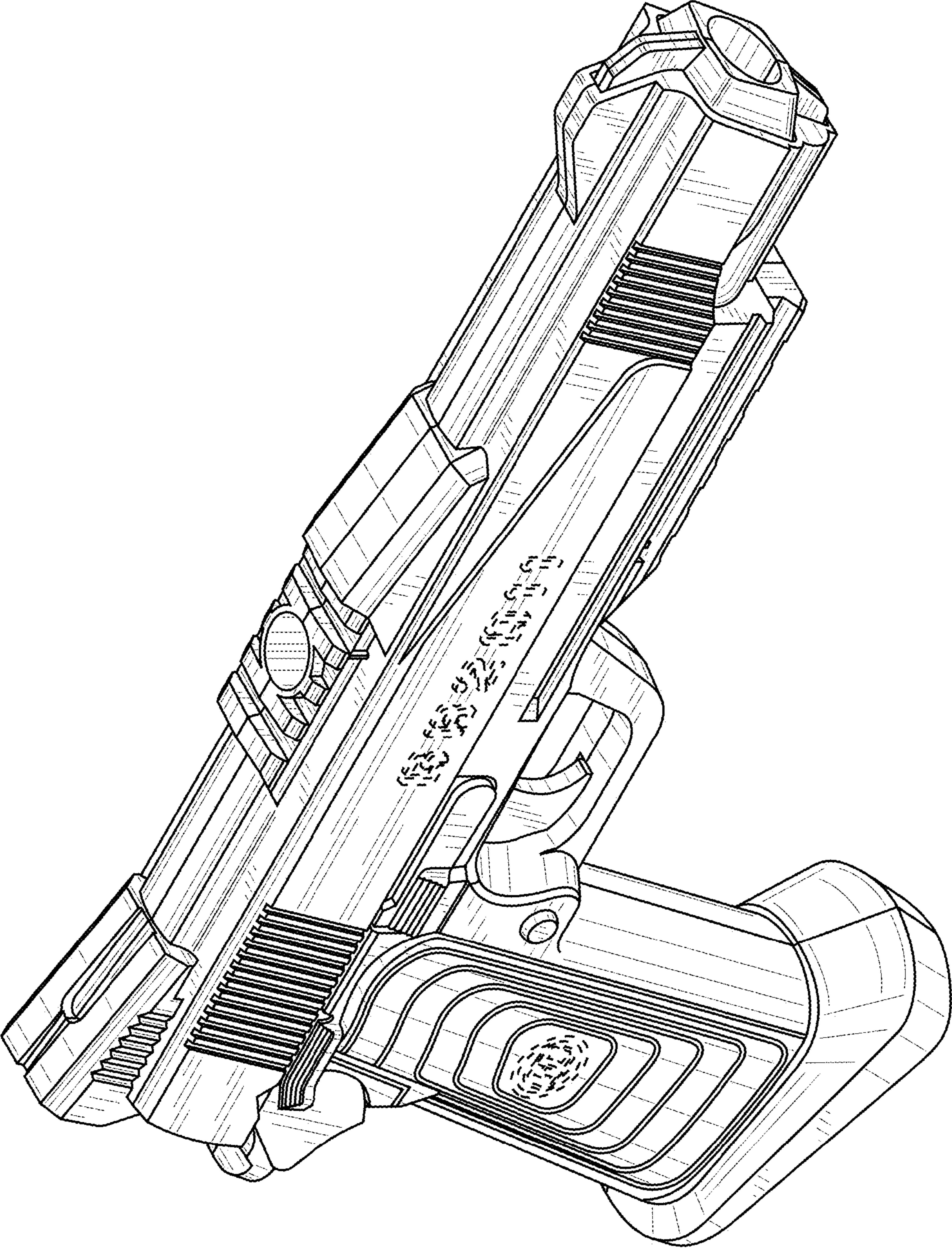
D386,543 S \* 11/1997 Chikui ..... D22/104  
7,686,002 B2 3/2010 Andrews  
8,393,299 B1 3/2013 Bernat  
D687,904 S \* 8/2013 Hadley ..... D21/573  
8,596,255 B2 12/2013 Meggs  
8,695,579 B2 4/2014 Huebl  
8,720,426 B2 \* 5/2014 Hadley ..... F42B 12/74  
124/66  
8,726,895 B2 5/2014 Tippmann et al.  
9,097,484 B2 8/2015 Poirier

FIG. 1 is a right perspective view of the polymer ball shooter in accordance with the new design;  
FIG. 2 is a left perspective view thereof;  
FIG. 3 is a side view thereof;  
FIG. 4 is an opposite side view thereof;  
FIG. 5 is a right view thereof;  
FIG. 6 is a left view thereof;  
FIG. 7 is a top view thereof; and,  
FIG. 8 is a bottom view thereof.  
The broken lines are for the purpose of illustrating portions of the article that form no part of the claimed design.

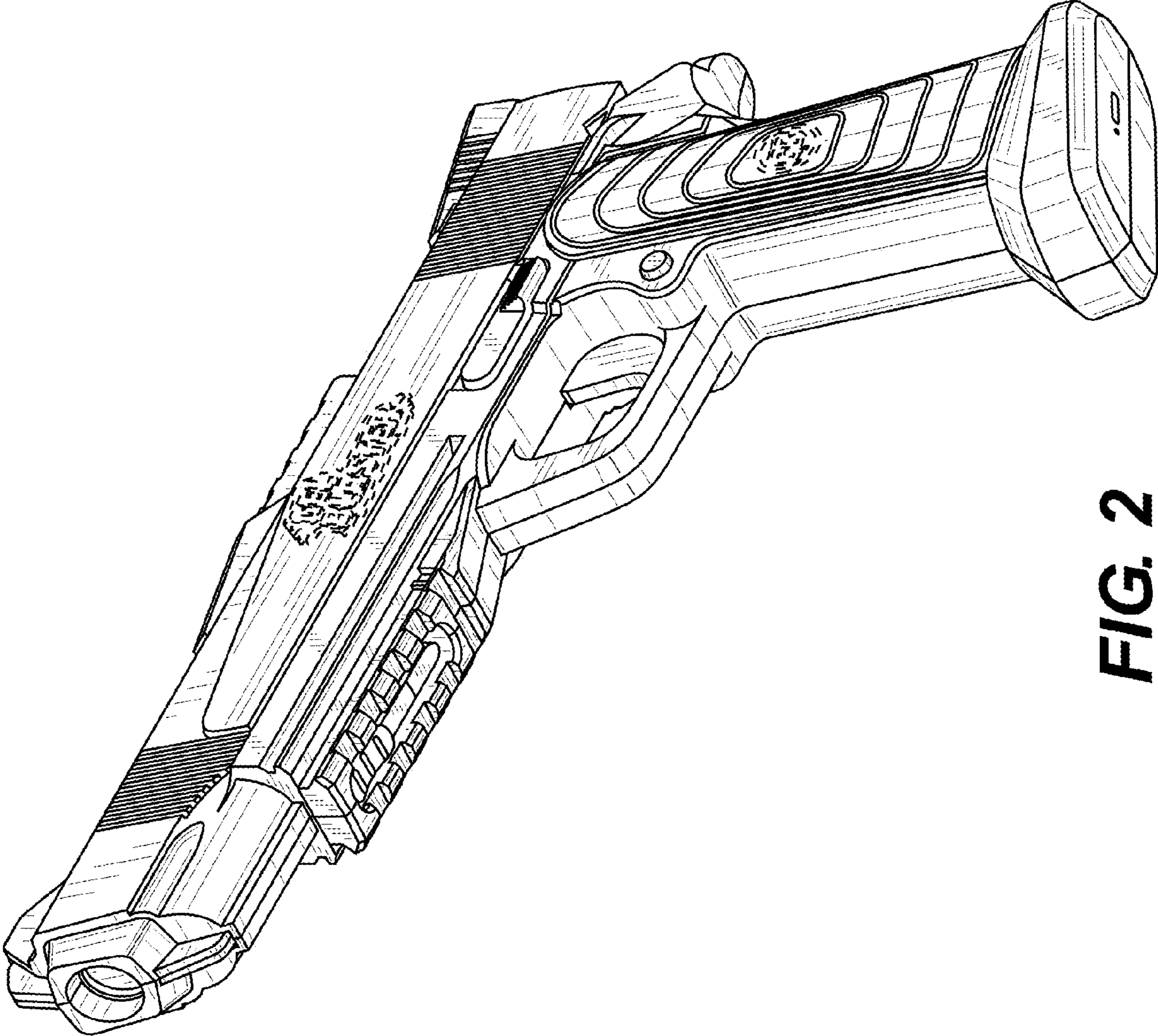
**1 Claim, 8 Drawing Sheets**



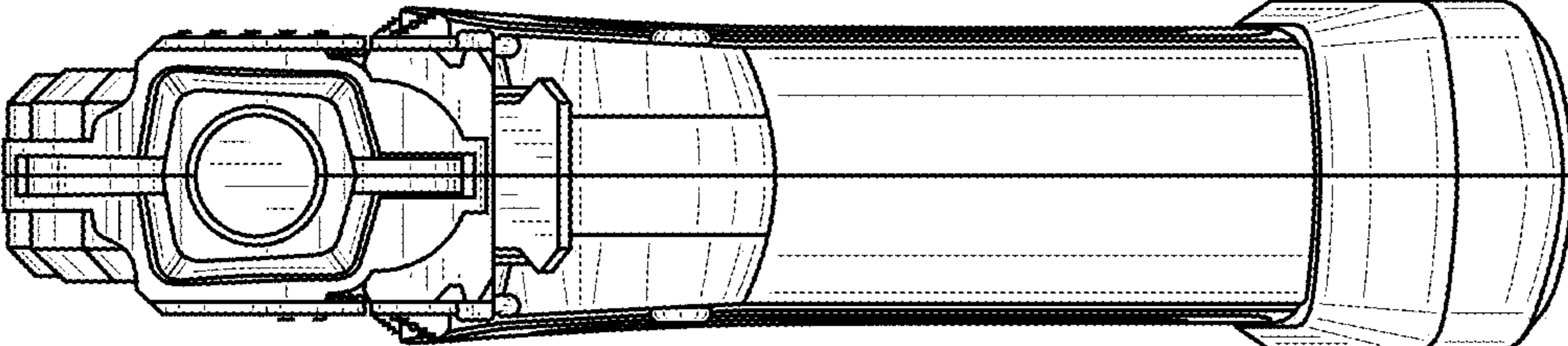




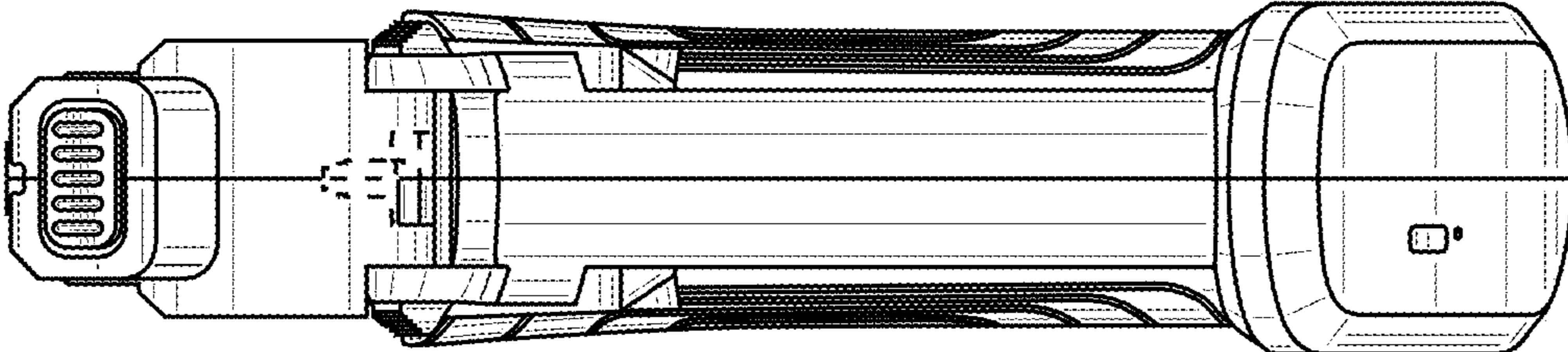
**FIG. 1**



**FIG. 2**

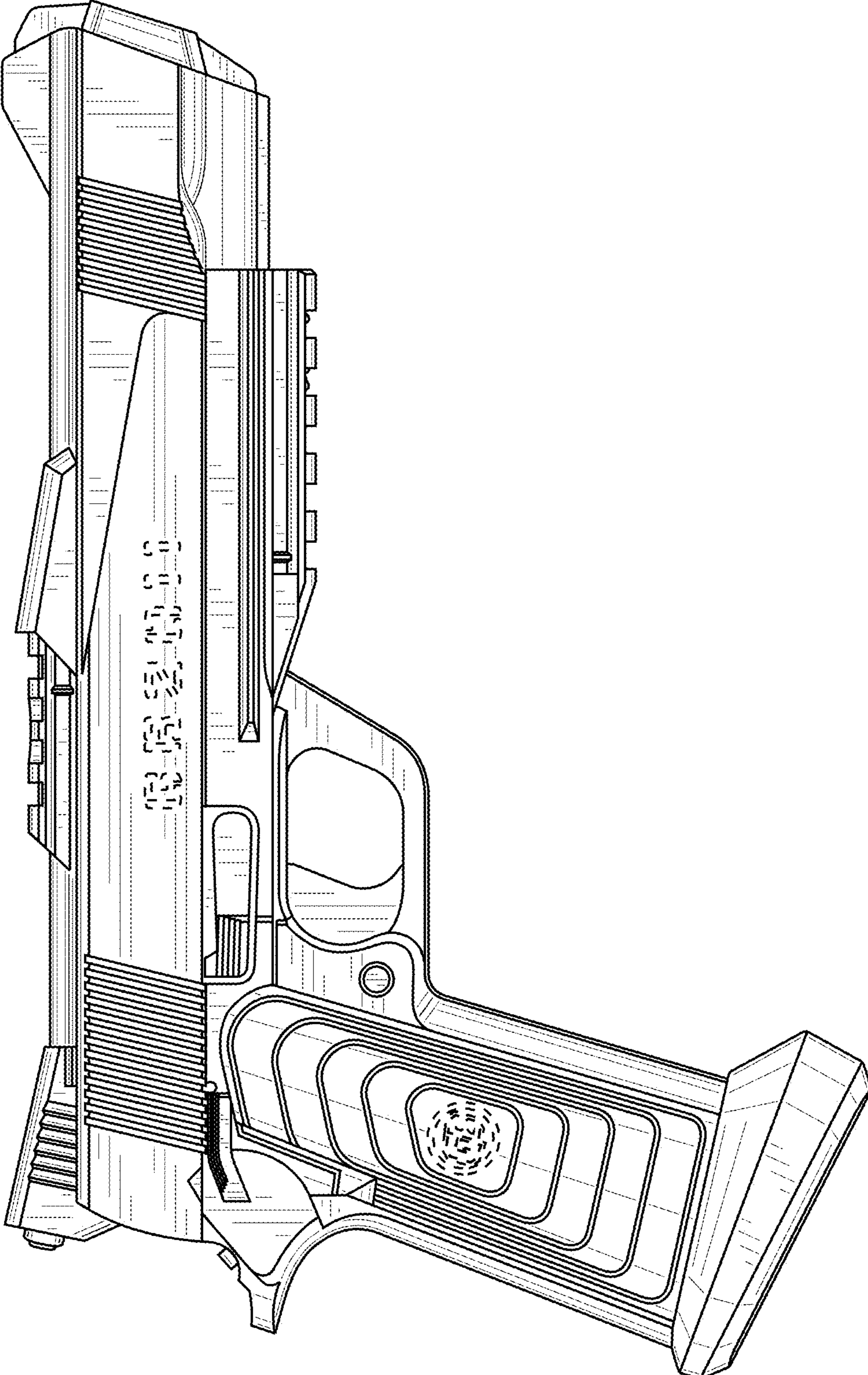


**FIG. 3**

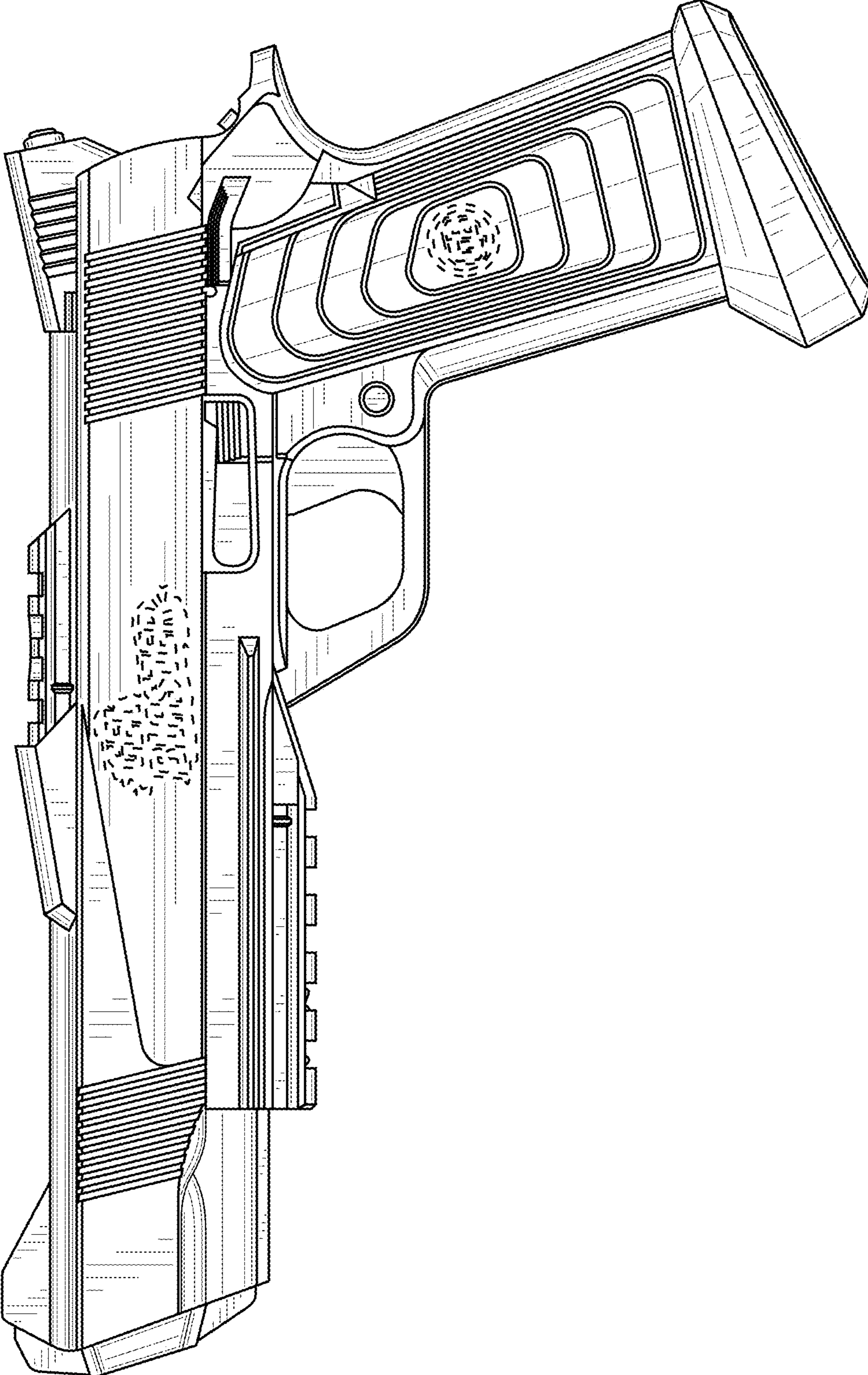


**FIG. 4**

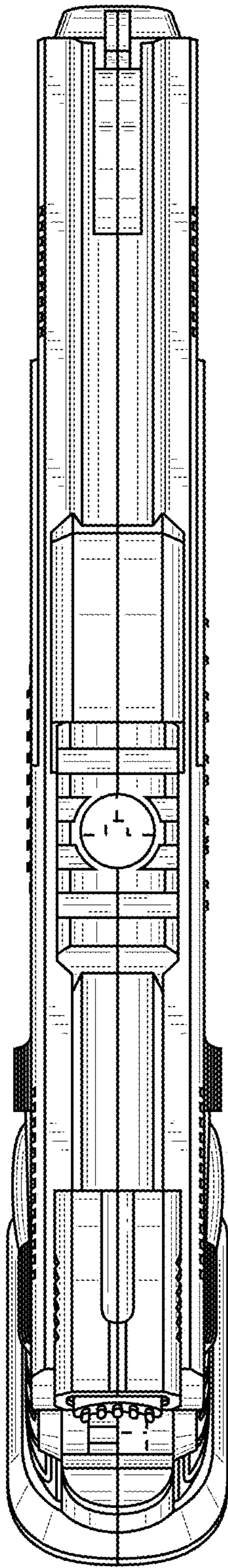




**FIG. 5**

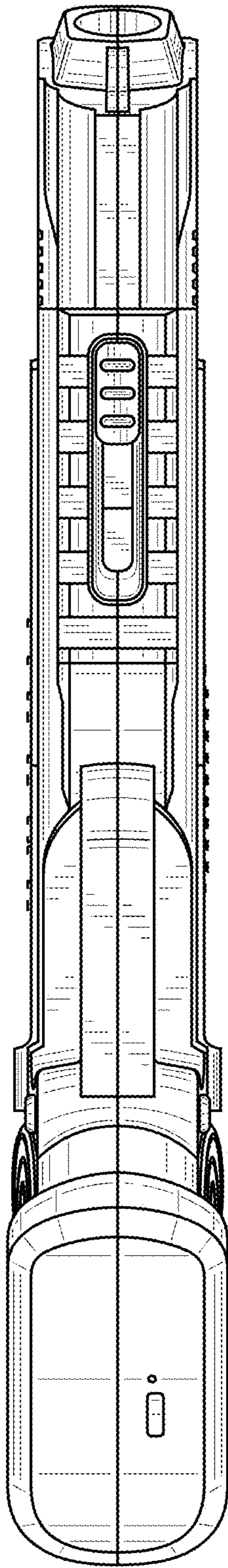


**FIG. 6**



**FIG. 7**





**FIG. 8**