



US00D975207S

(12) **United States Design Patent**
Chen

(10) **Patent No.:** **US D975,207 S**
(45) **Date of Patent:** **** Jan. 10, 2023**

(54) **TOY GUN**

(71) Applicant: **Weigang Chen**, Shantou (CN)

(72) Inventor: **Weigang Chen**, Shantou (CN)

(**) Term: **15 Years**

(21) Appl. No.: **29/849,808**

(22) Filed: **Aug. 15, 2022**

(30) **Foreign Application Priority Data**

May 27, 2022 (CN) 202230320400.6

(51) **LOC (14) Cl.** **21-01**

(52) **U.S. Cl.**
USPC **D21/573**

(58) **Field of Classification Search**
USPC D21/572, 573, 574, 575; D22/103, 104,
D22/100, 101

See application file for complete search history.

(56) **References Cited**

U.S. PATENT DOCUMENTS

- D156,438 S * 12/1949 Langos D21/574
- 3,057,114 A * 10/1962 Ryan A63H 27/04
124/2
- 3,218,745 A * 11/1965 Golden A63F 9/0291
D16/132
- D283,525 S * 4/1986 Yano D21/573
- D285,327 S * 8/1986 Yano D21/573
- D288,104 S * 2/1987 Barthropp D21/574
- D304,049 S * 10/1989 Lee D21/572
- D328,120 S * 7/1992 Aigner D22/104
- D353,853 S * 12/1994 Albritton D21/572
- D385,586 S * 10/1997 Hanatani D21/573
- D842,389 S 3/2019 Iwasawa
- D842,390 S 3/2019 Iwasawa
- D965,078 S * 9/2022 Chen D21/573

- D965,079 S * 9/2022 Chen D21/573
- 2011/0287388 A1 * 11/2011 Hu F41B 7/003
434/18
- 2014/0311470 A1 * 10/2014 Sievers F41B 3/005
124/7

OTHER PUBLICATIONS

Oscienzeek, announced 2021 [online], [site visited Nov. 10, 2022]. Available on the internet, URL: <https://www.amazon.com/Automatic-Blaster-Electric-Outdoor-Backyard/dp/B09X63MDZC/ref> (Year: 2021).*

* cited by examiner

Primary Examiner — Khawaja Anwar
Assistant Examiner — Julice Seung Eun Oum
(74) *Attorney, Agent, or Firm* — Georgi Korobanov

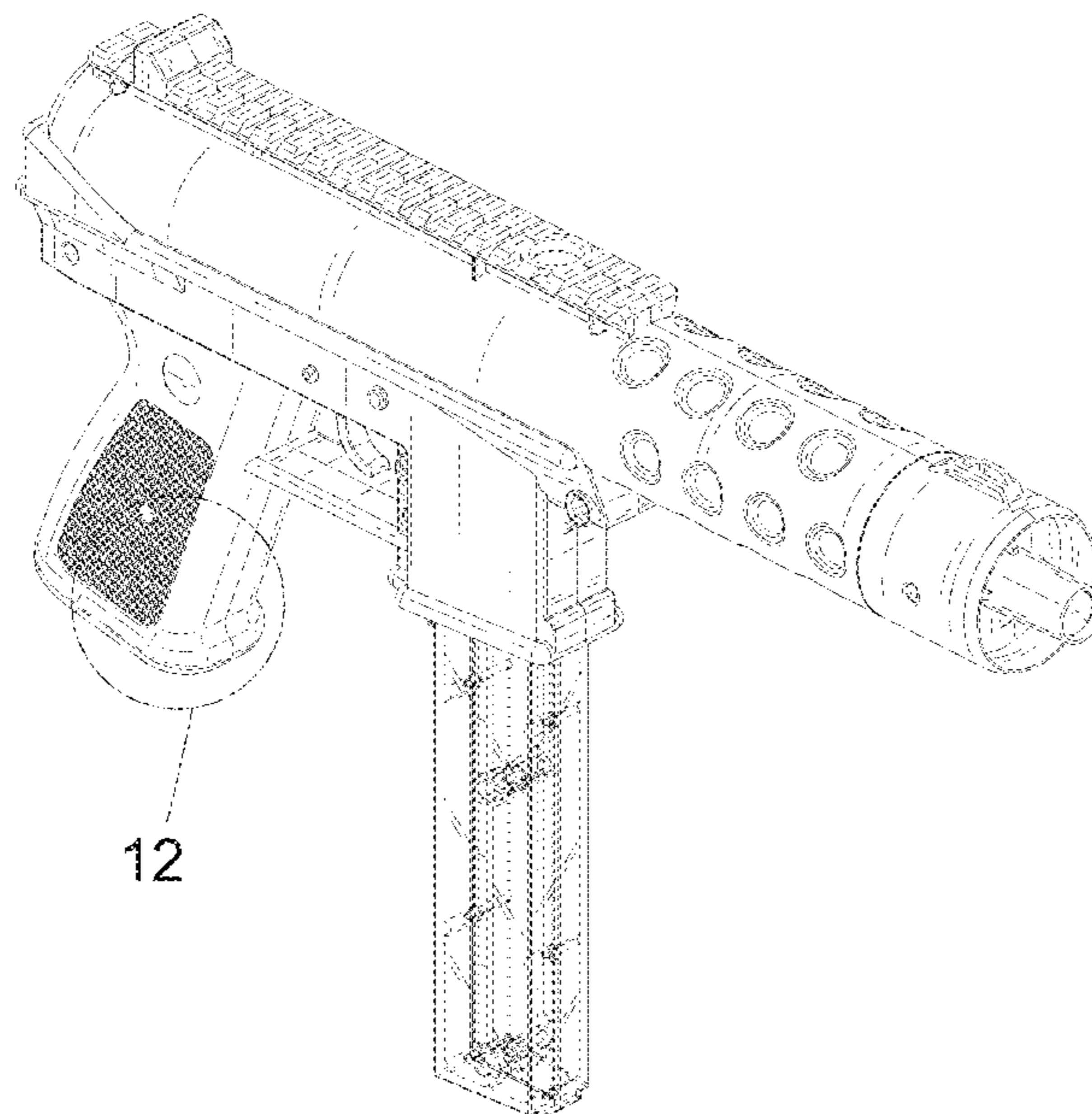
(57) **CLAIM**

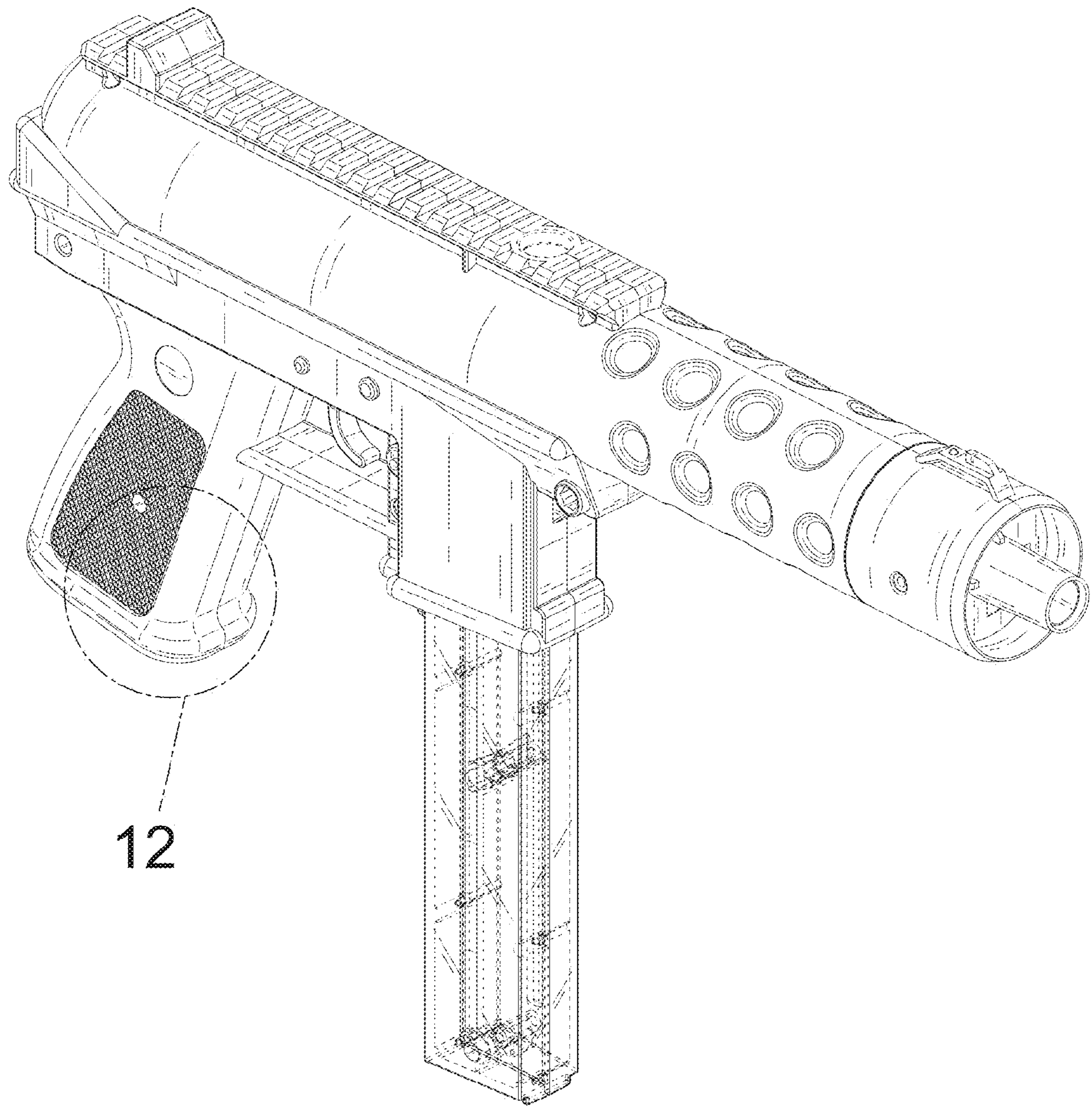
The ornamental design for a toy gun, as shown and described.

DESCRIPTION

FIG. 1 is a perspective view of a toy gun, showing my new design;
FIG. 2 is another perspective view hereof;
FIG. 3 is a use state view thereof;
FIG. 4 is another use state view thereof;
FIG. 5 is another use state view thereof;
FIG. 6 is a front view thereof;
FIG. 7 is a rear view thereof;
FIG. 8 is a left side view thereof;
FIG. 9 is a right side view thereof;
FIG. 10 is a top plan view thereof; and
FIG. 11 is a bottom plan view thereof; and
FIG. 12 is an enlarged view of portion 12 shown in FIG. 1. The broken lines shown in the drawings illustrate portions and the use states of the toy gun that form no part of the claimed design.

1 Claim, 12 Drawing Sheets





12

FIG. 1

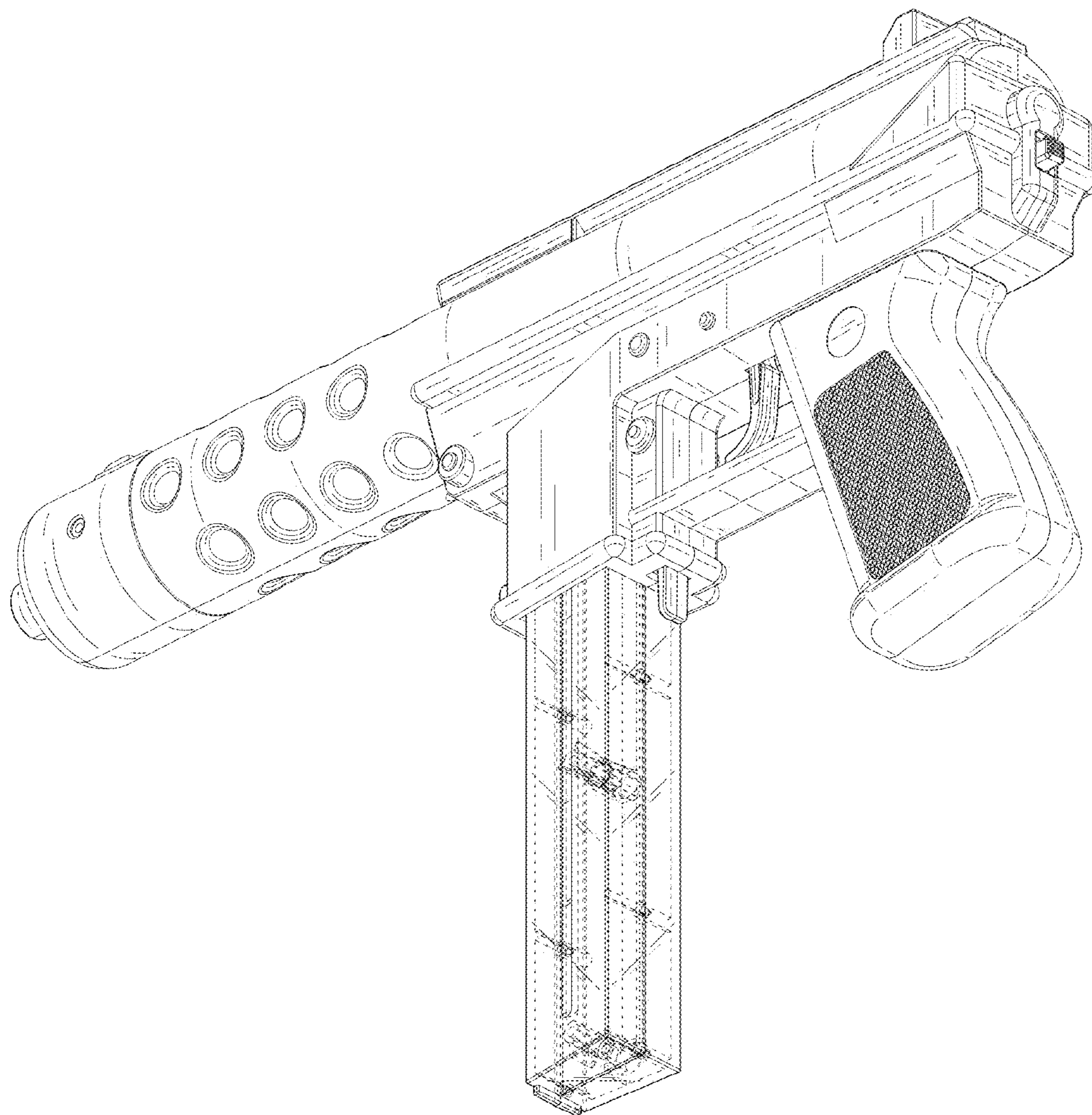


FIG. 2

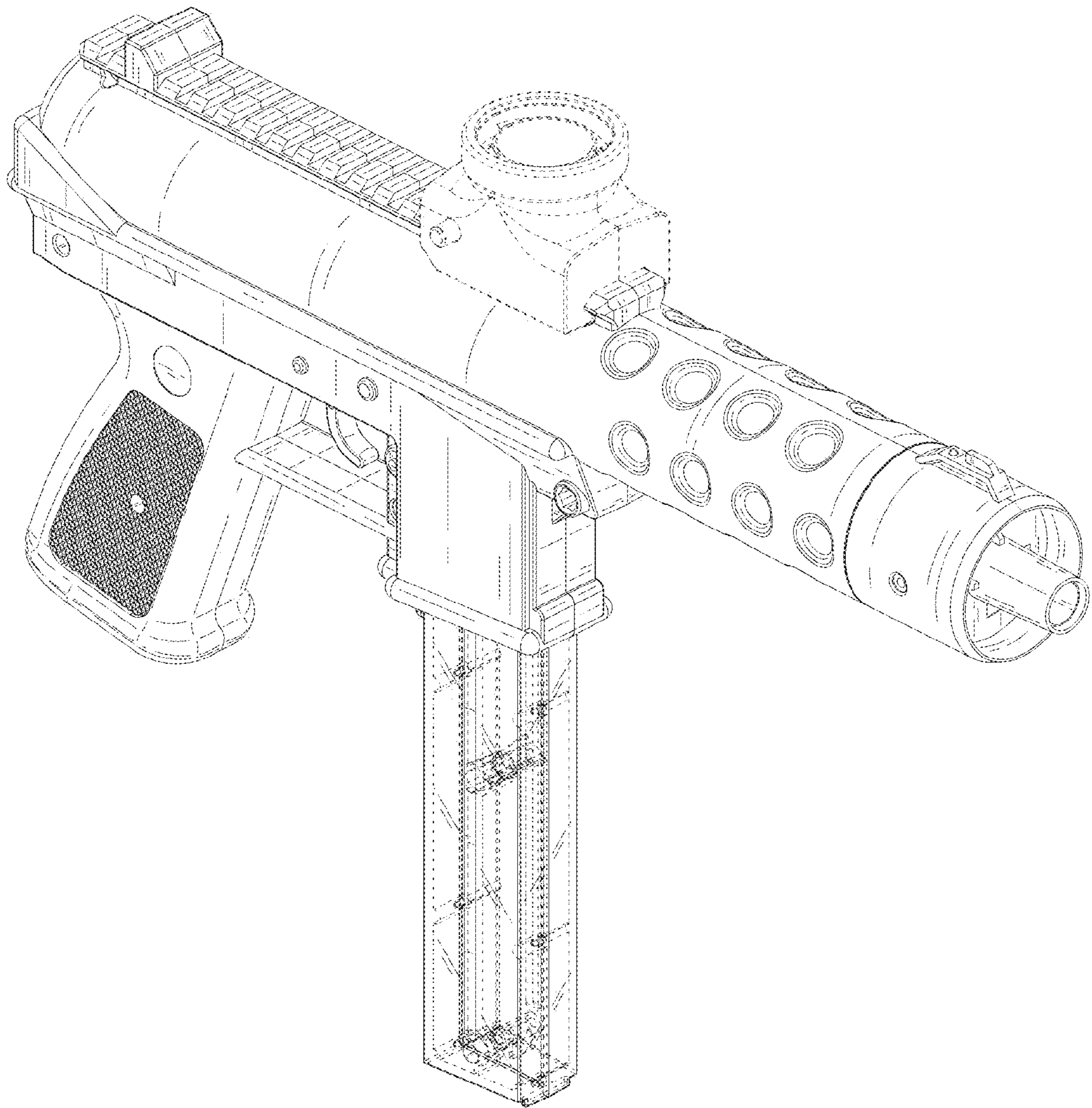


FIG. 3

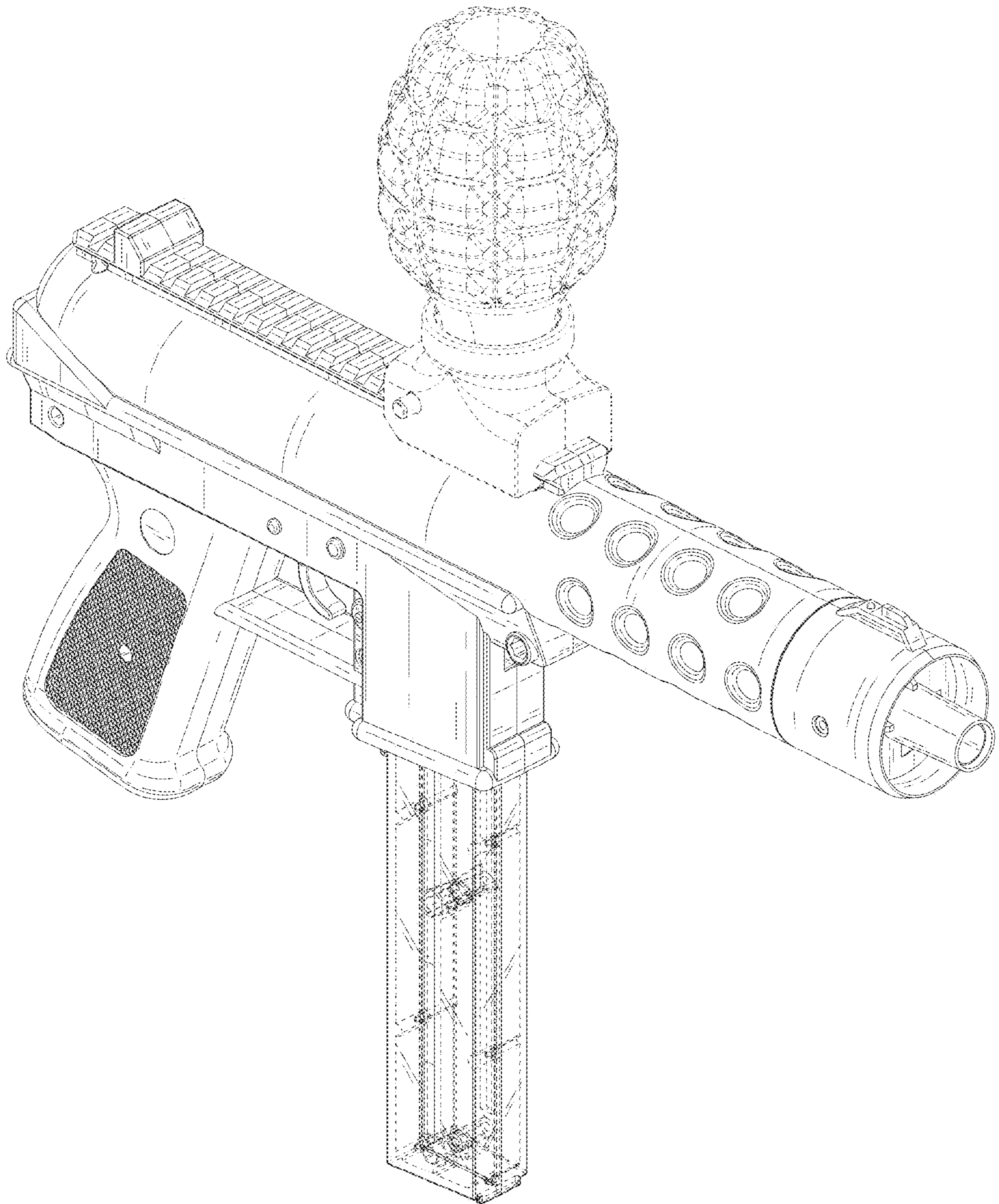


FIG. 4

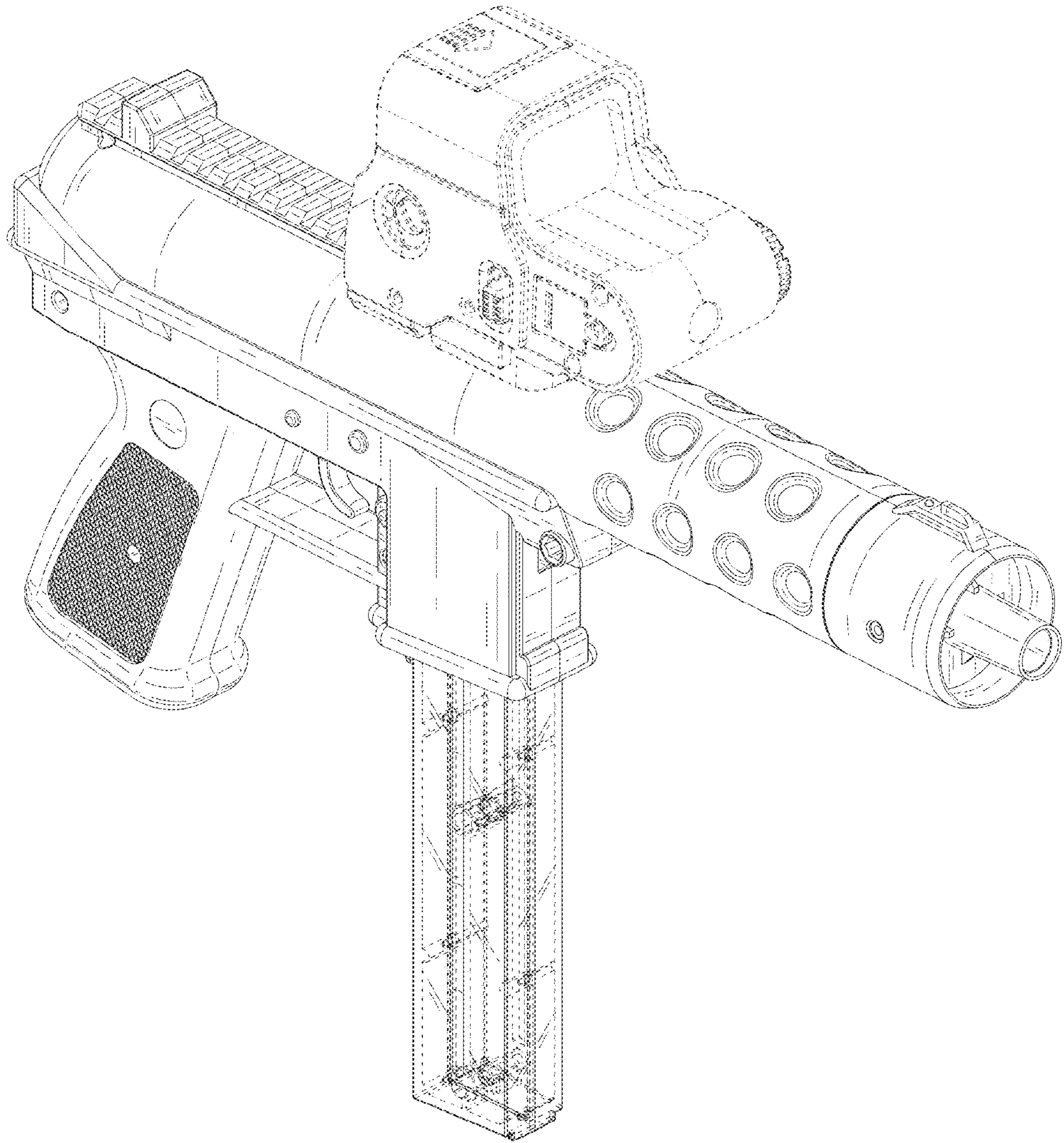


FIG. 5

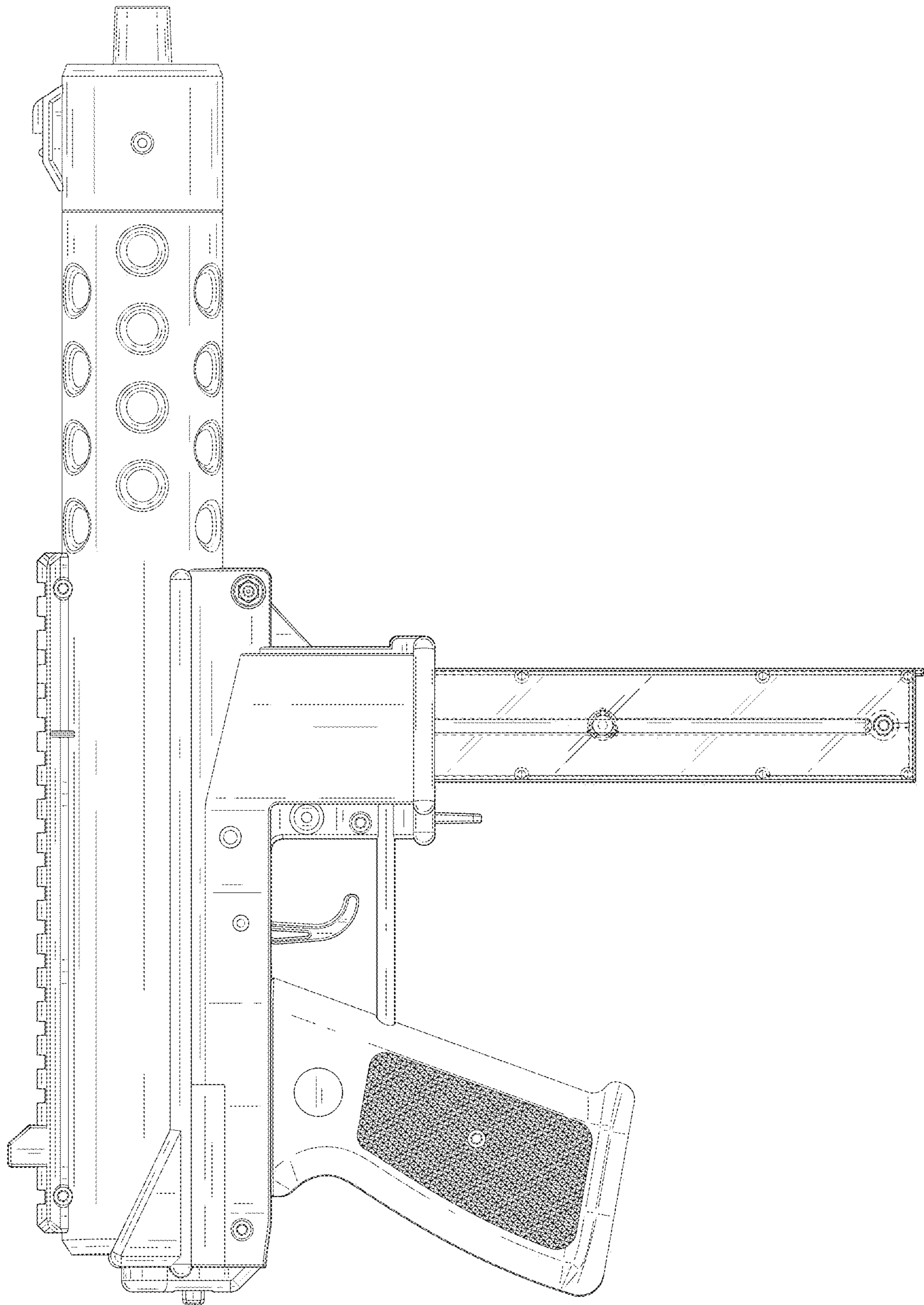


FIG. 6

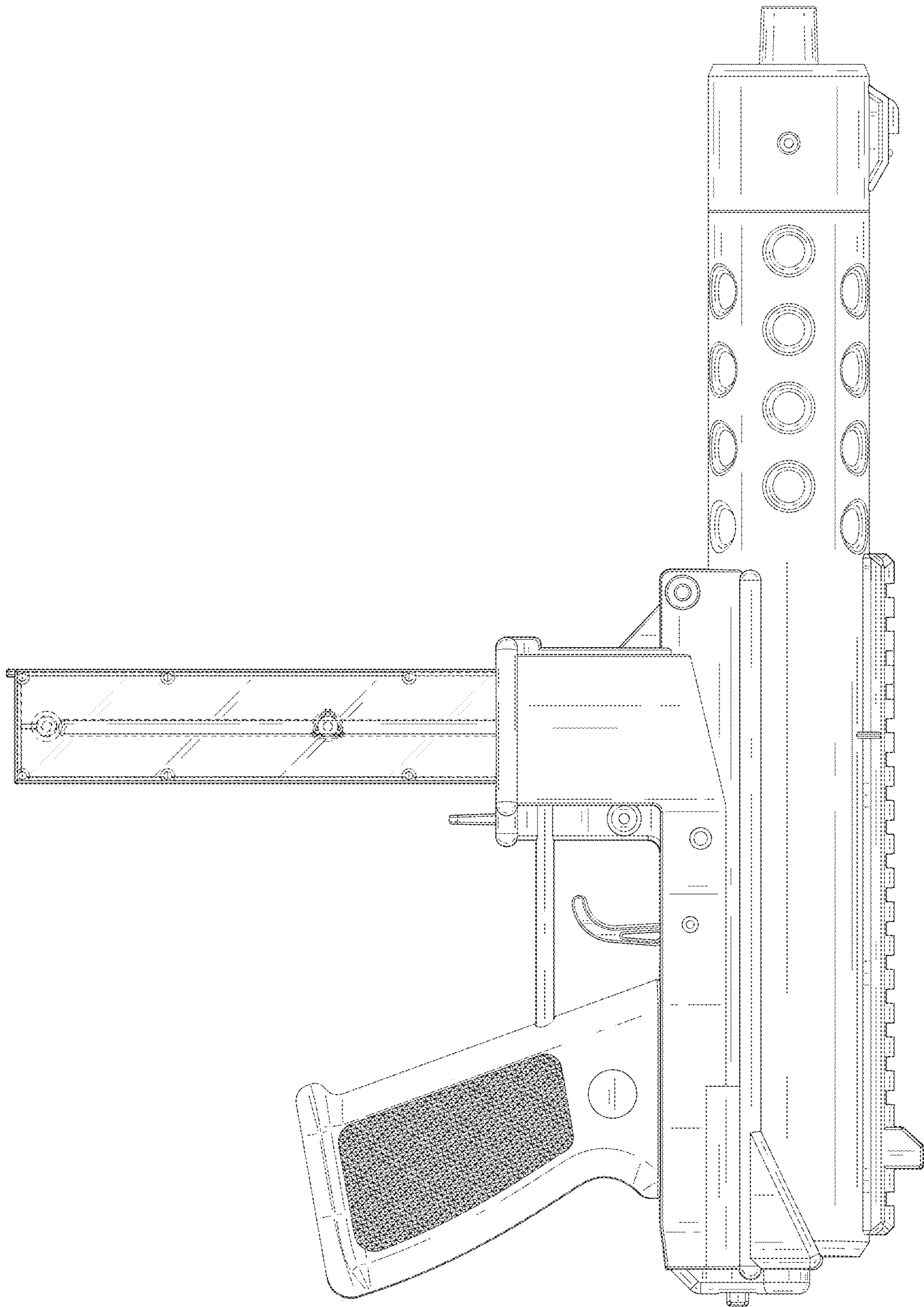


FIG. 7

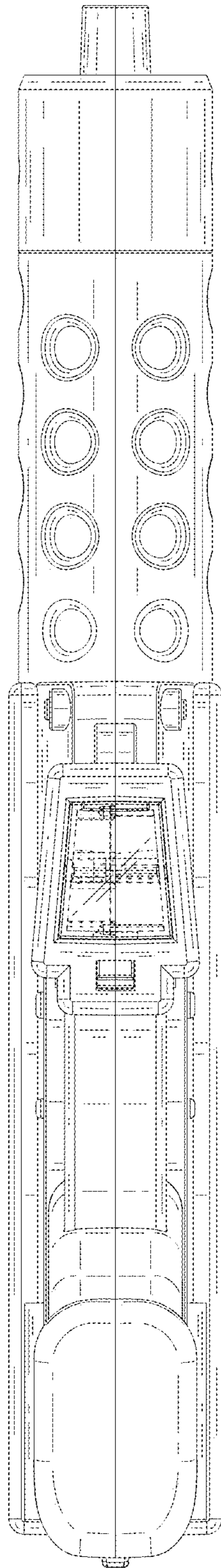


FIG. 8

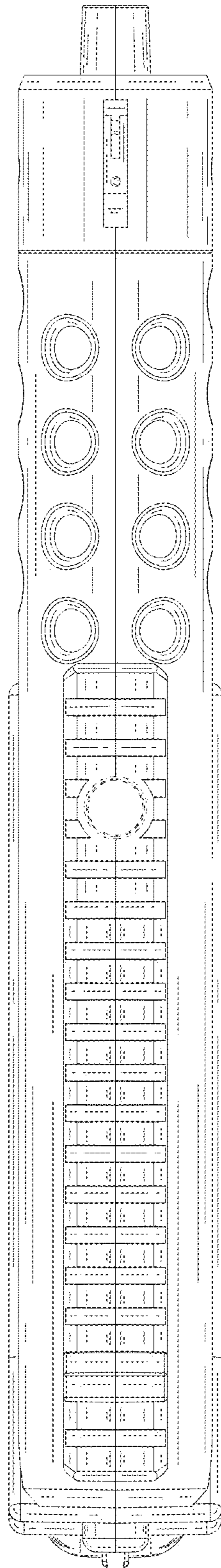


FIG. 9

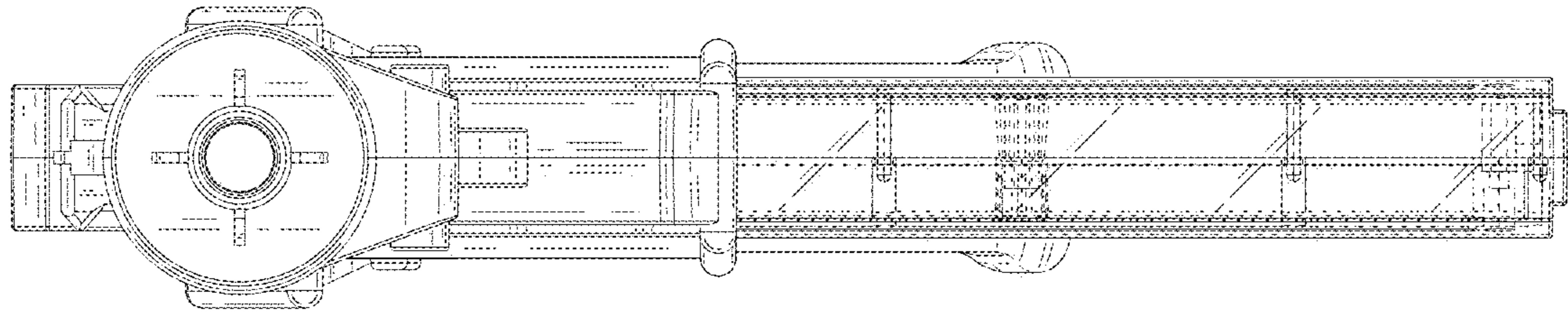


FIG. 10

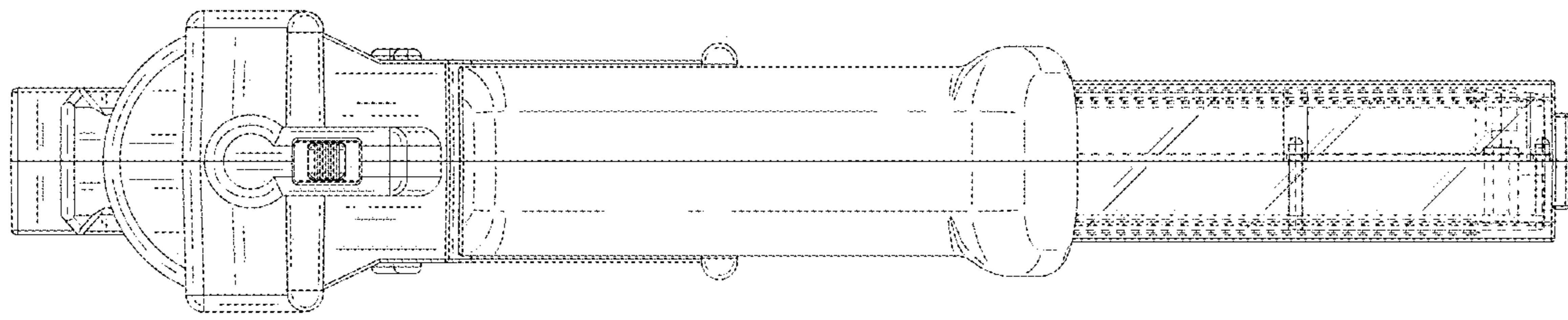


FIG. 11

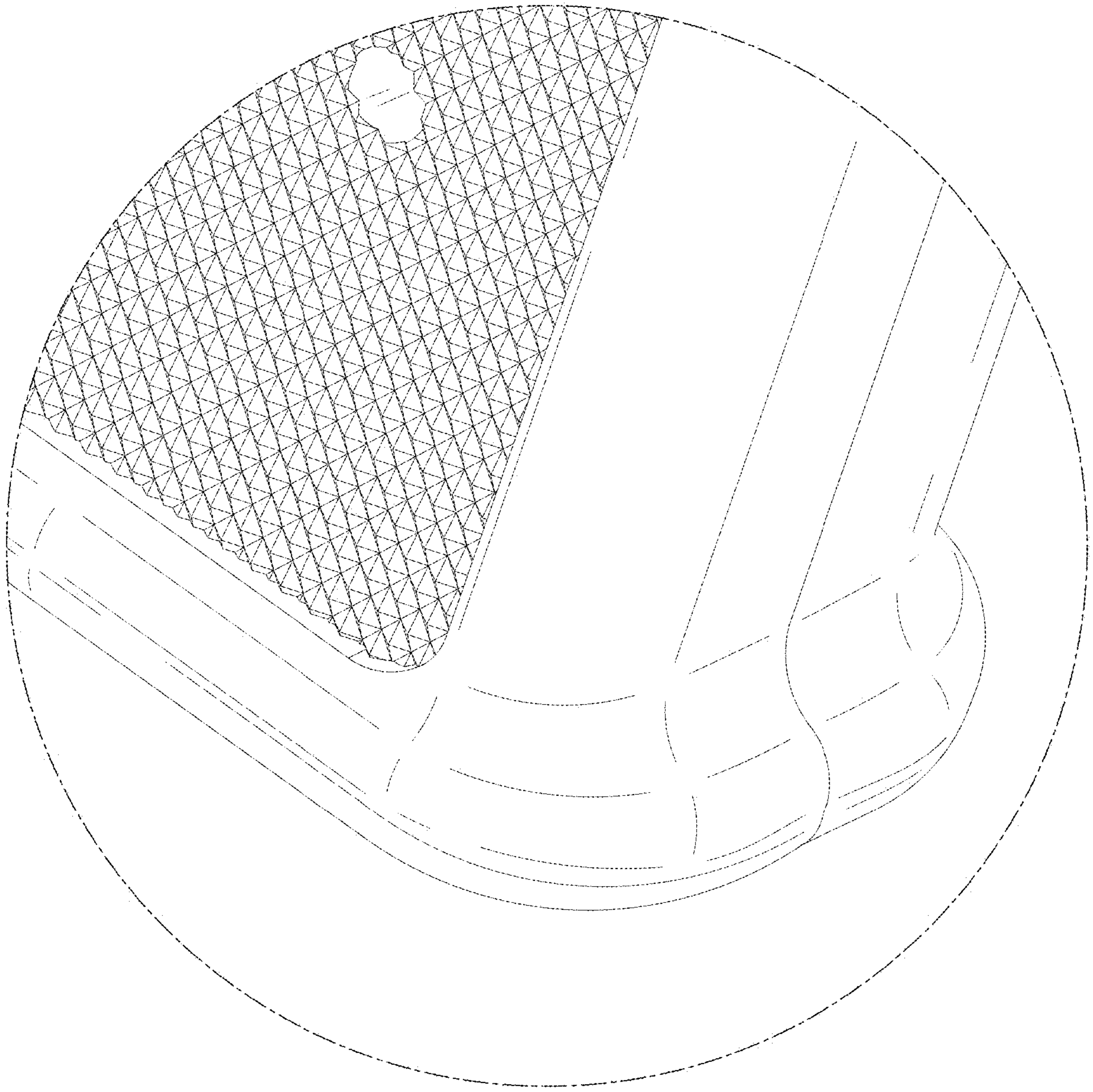


FIG. 12