



US00D975206S

(12) **United States Design Patent**
Xu

(10) **Patent No.:** **US D975,206 S**
(45) **Date of Patent:** **** Jan. 10, 2023**

- (54) **SUPERHERO WEB SHOOTER**
- (71) Applicant: **Weihua Xu**, Shenzhen (CN)
- (72) Inventor: **Weihua Xu**, Shenzhen (CN)
- (**) Term: **15 Years**
- (21) Appl. No.: **29/832,717**
- (22) Filed: **Mar. 29, 2022**
- (51) **LOC (14) Cl.** **21-01**
- (52) **U.S. Cl.**
USPC **D21/567; D21/570**
- (58) **Field of Classification Search**
USPC D21/398, 483, 567, 587, 588, 715–746,
D21/753–758, 811
CPC A63H 3/14; A63H 3/02
See application file for complete search history.

- D604,778 S * 11/2009 Chan D2/621
- D729,880 S 5/2015 Nichols
- D831,128 S * 10/2018 Bassett D2/616

OTHER PUBLICATIONS

Gadgets for you, Electric Spiderman Web Shooter, Apr. 4, 2022, youtube.com, retrieved Sep. 2, 2022, <https://www.youtube.com/shorts/WbzKGVIEE> (Year: 2022).*

* cited by examiner

Primary Examiner — Katherine A Holbrow

(57) **CLAIM**

The ornamental design for a superhero web shooter, as shown and described.

DESCRIPTION

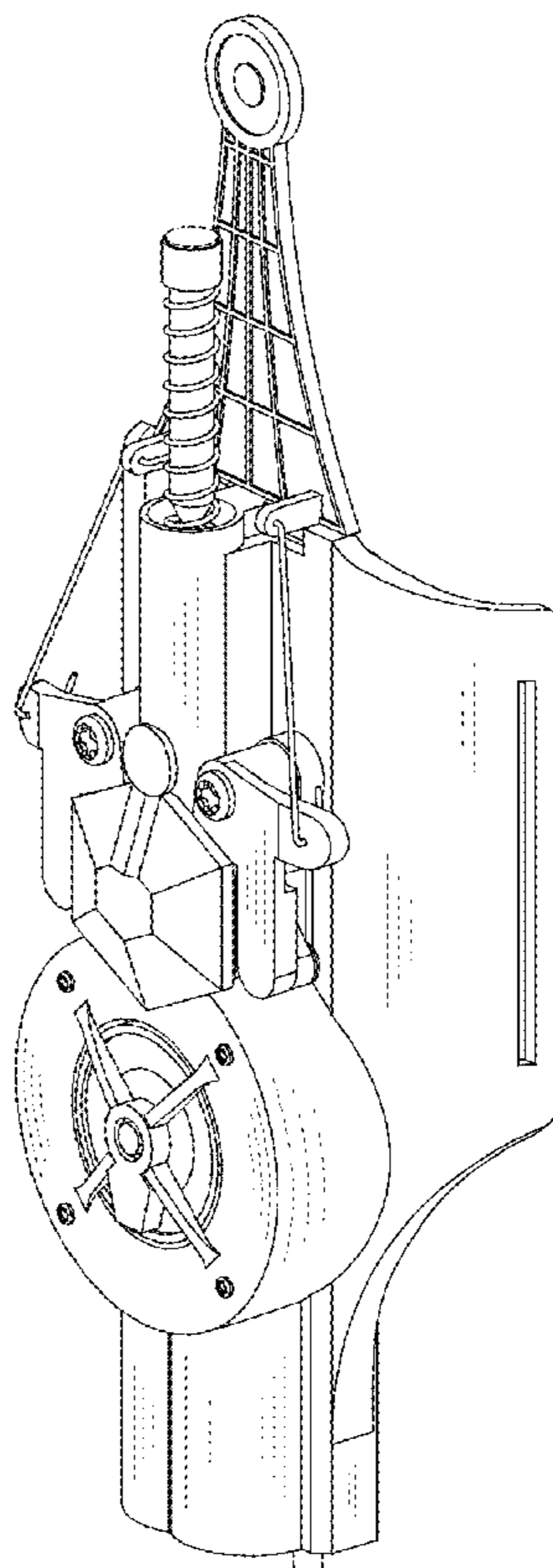
FIG. 1 is a perspective view of a superhero web shooter, showing my new design;
 FIG. 2 is an alternative perspective view thereof;
 FIG. 3 is a front elevation view thereof;
 FIG. 4 is a rear elevation view thereof;
 FIG. 5 is a left side elevation view thereof;
 FIG. 6 is a right side elevation view thereof;
 FIG. 7 is a top plan view thereof; and,
 FIG. 8 is a bottom plan view thereof.
 The broken lines shown in the drawings illustrate portions of the superhero web shooter that form no part of the claimed design.

(56) **References Cited**

U.S. PATENT DOCUMENTS

- D195,189 S * 5/1963 Schultz D2/614
- 4,625,339 A * 12/1986 Peters A41D 19/0024
2/160
- 4,824,097 A * 4/1989 Axtell A63H 3/14
446/26
- D303,406 S * 9/1989 Dean D29/113
- 4,864,658 A * 9/1989 Russell H05K 11/00
968/405
- D374,469 S * 10/1996 Barra D21/684

1 Claim, 8 Drawing Sheets



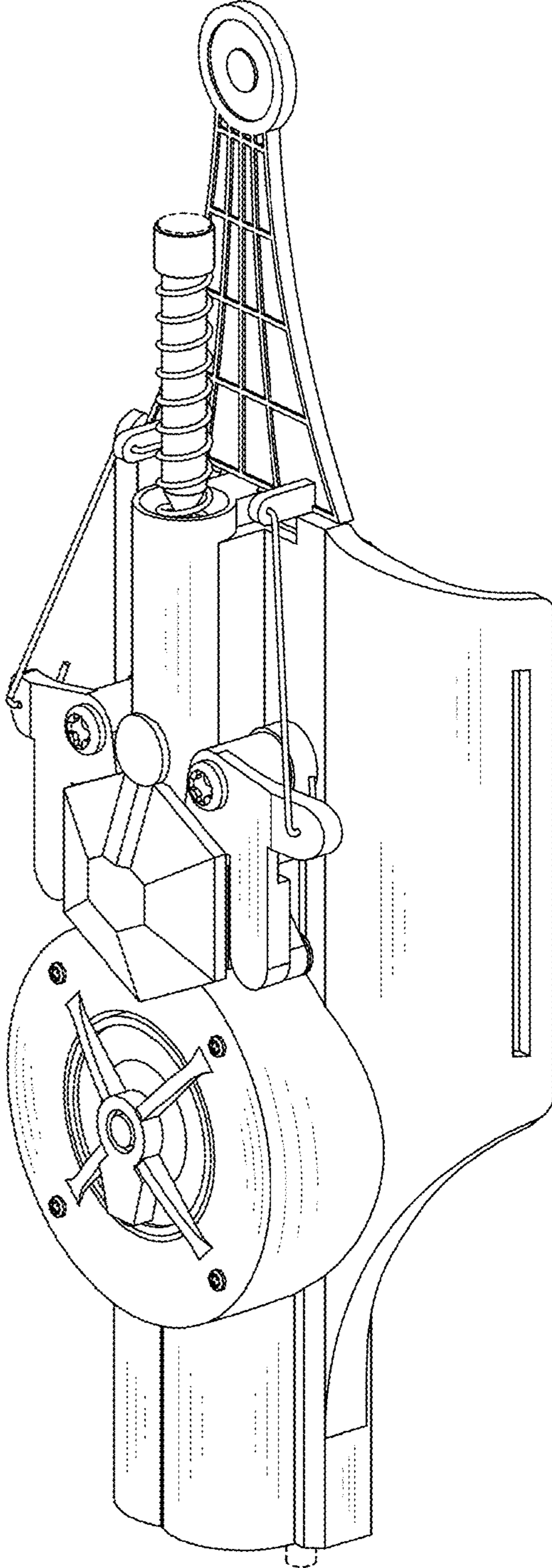


FIG. 1

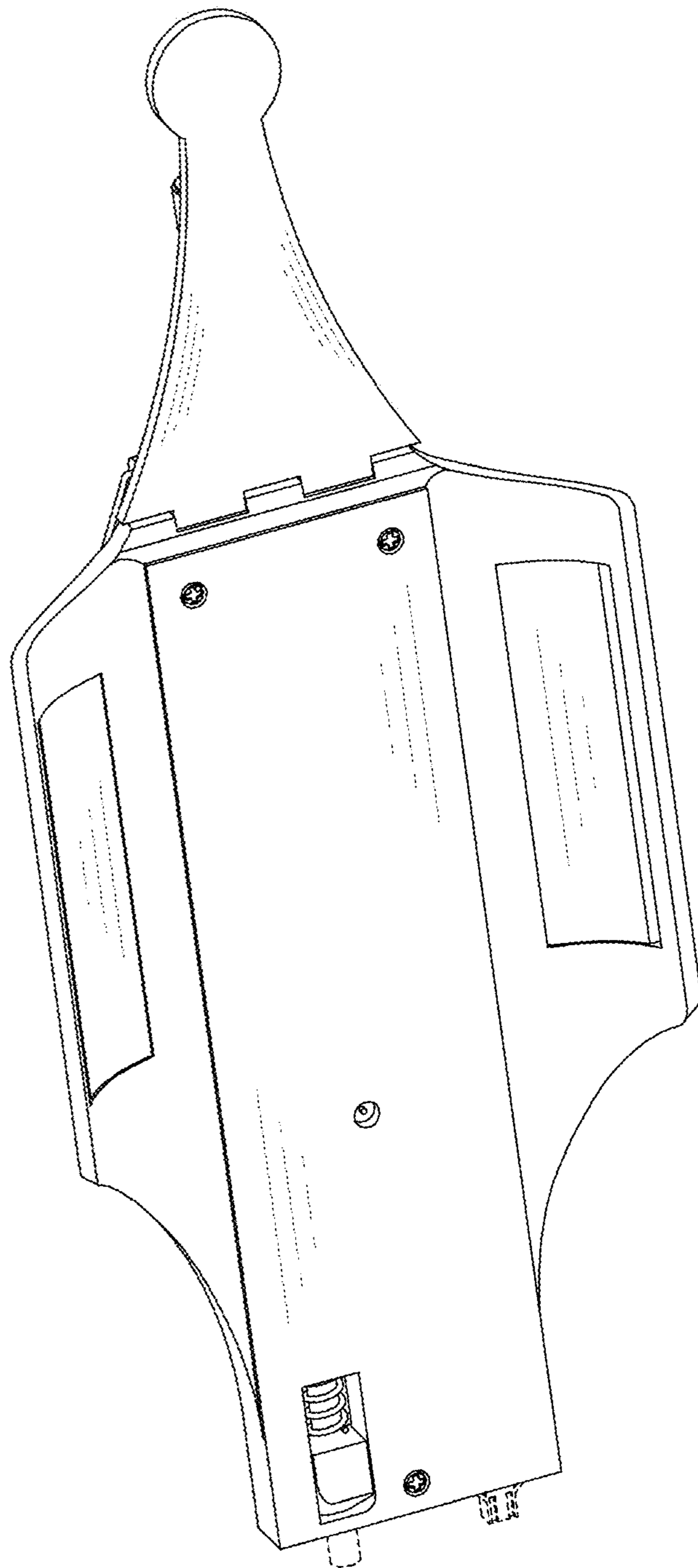


FIG. 2

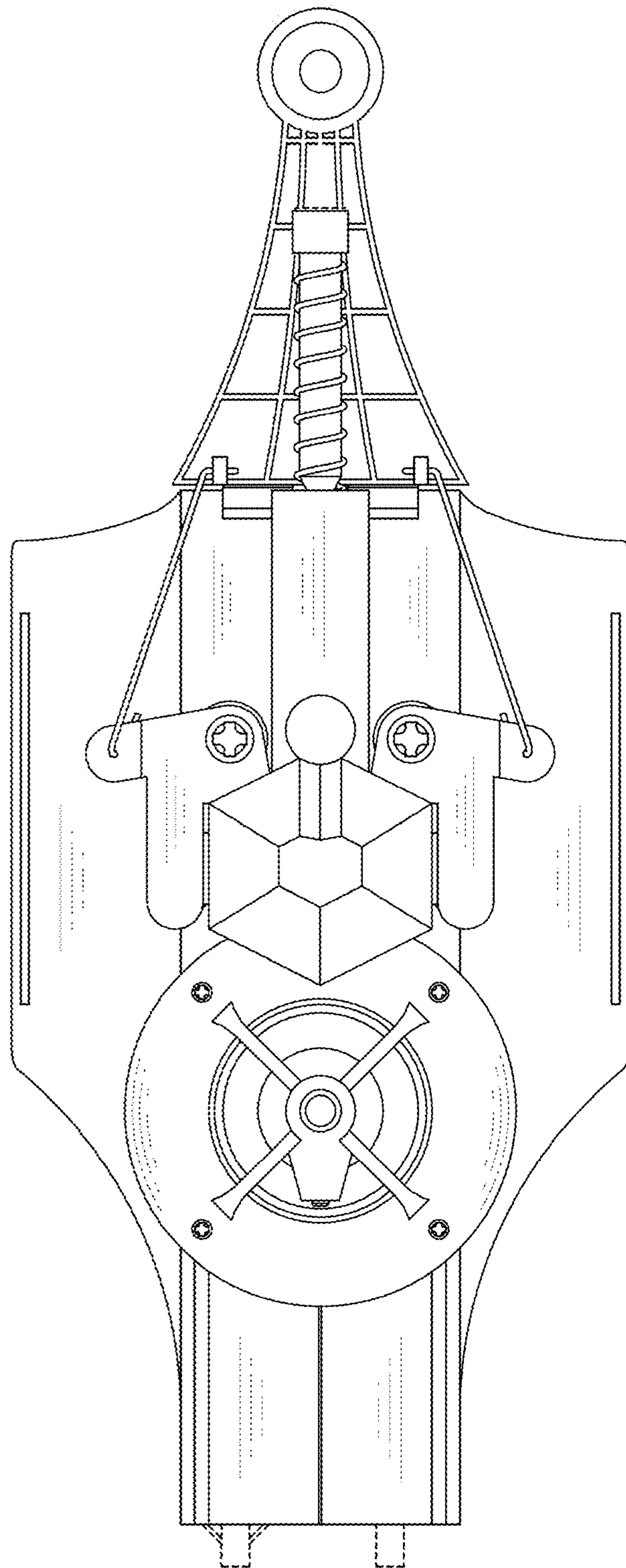


FIG. 3

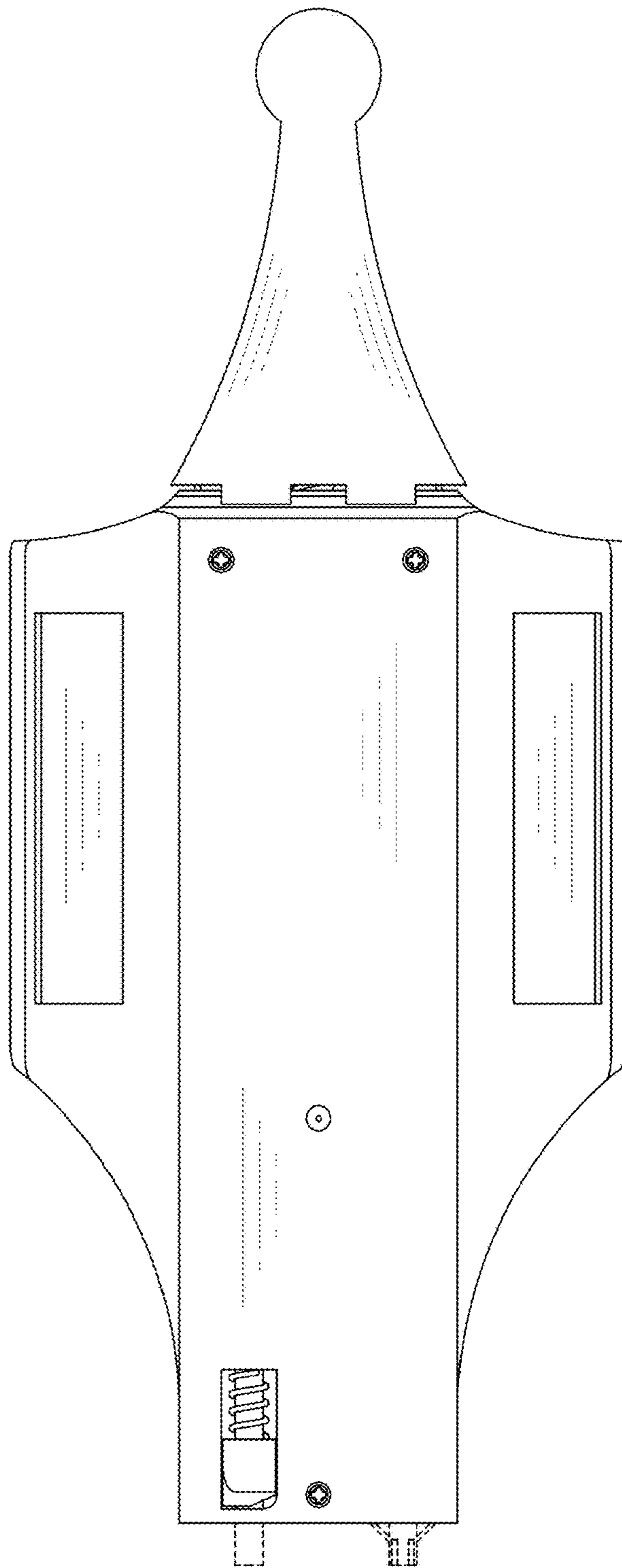


FIG. 4

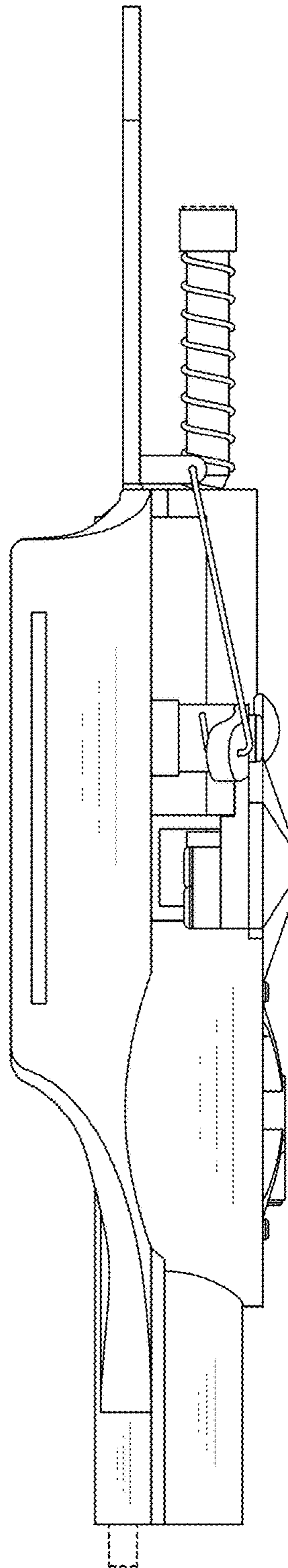


FIG. 5

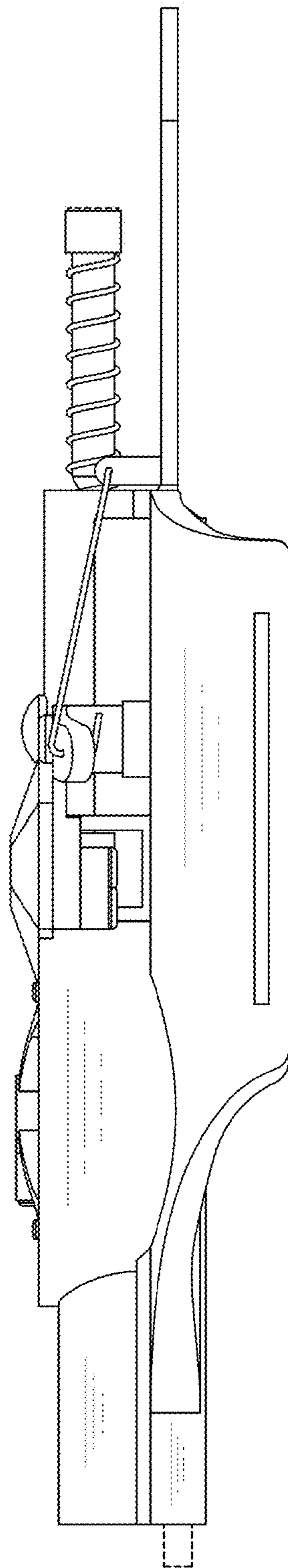


FIG. 6

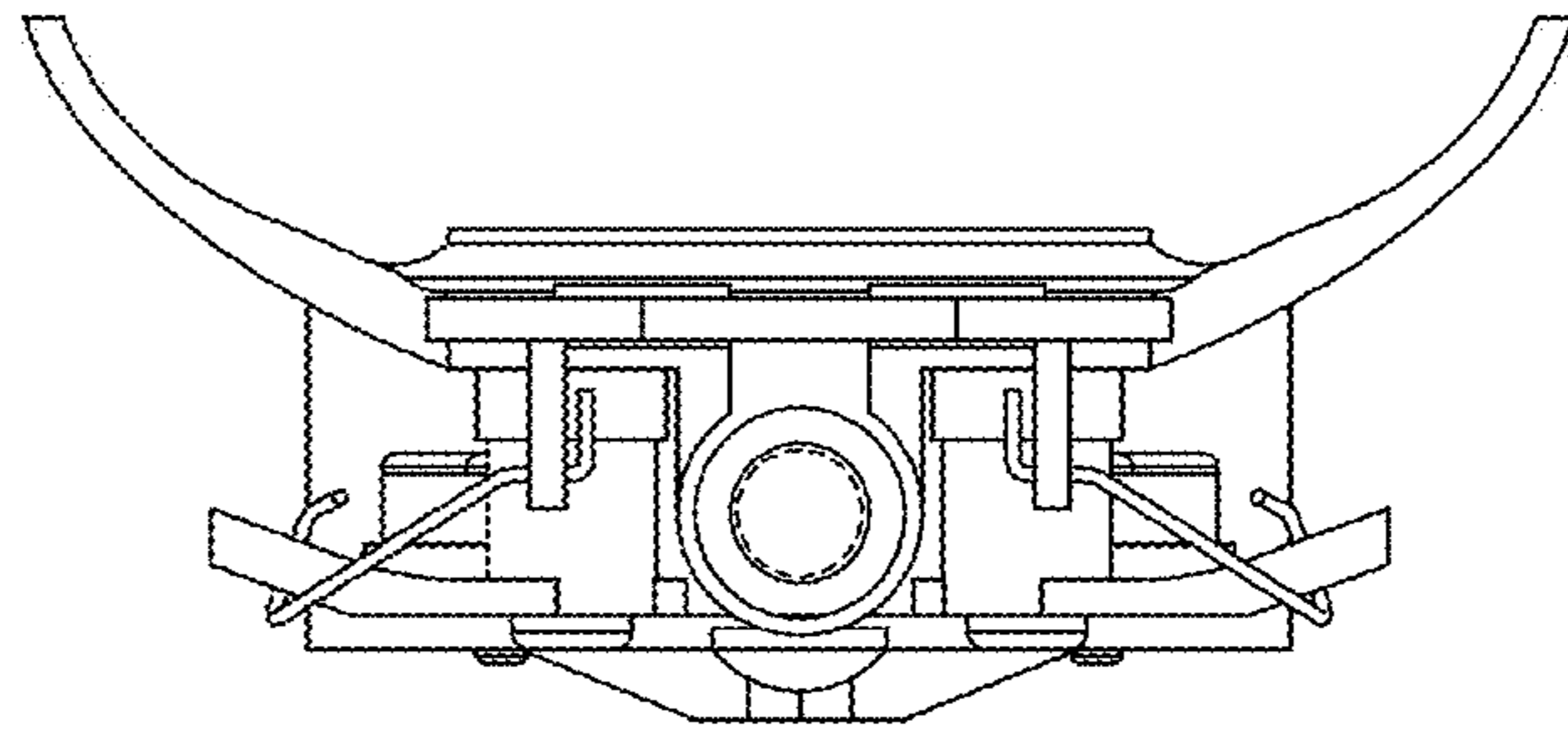


FIG. 7

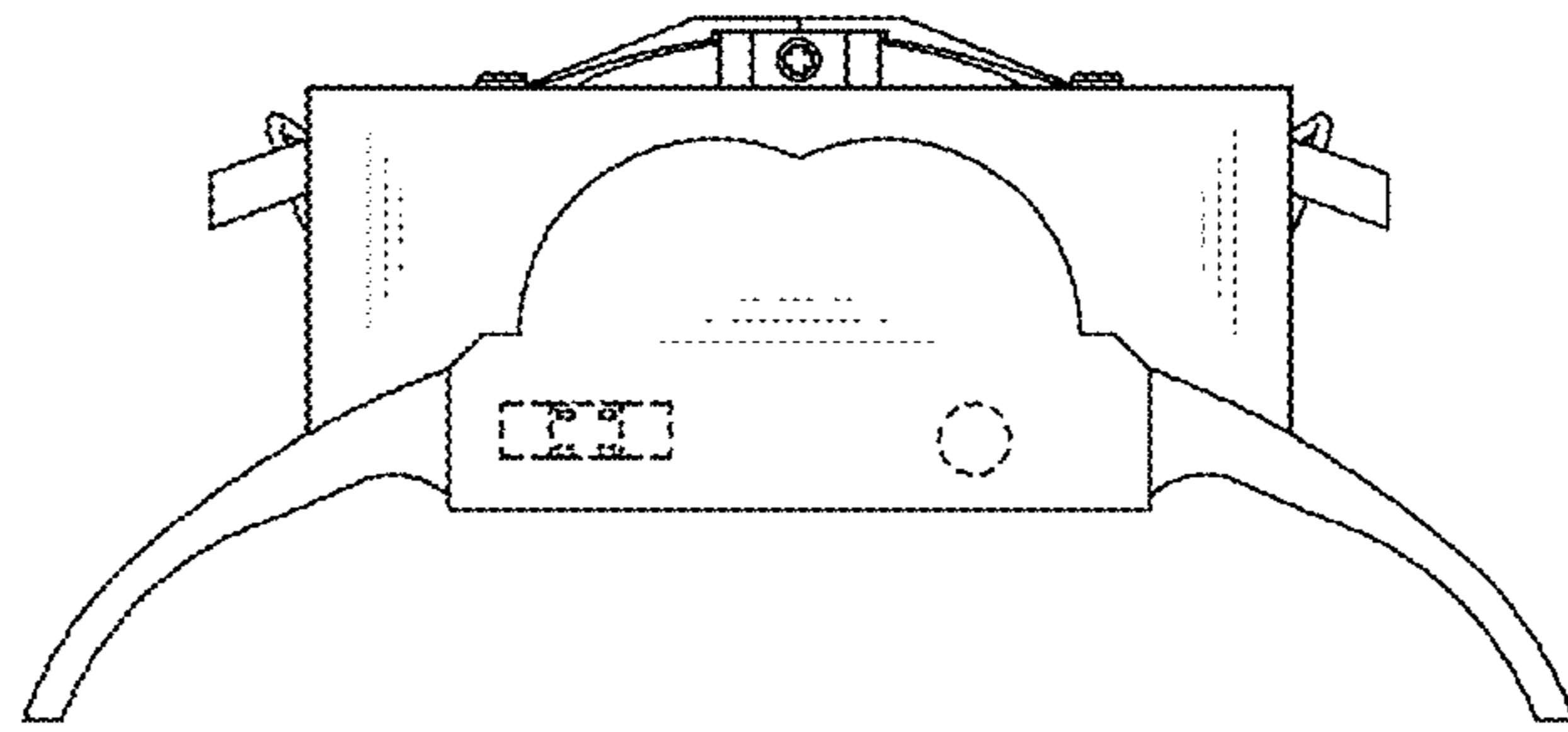


FIG. 8