

US00D975205S

(12) **United States Design Patent**
Zhang

(10) **Patent No.:** **US D975,205 S**
(45) **Date of Patent:** **** Jan. 10, 2023**

- (54) **RACE CAR TRACK**
- (71) Applicant: **Ancui Zhang**, Sichuan (CN)
- (72) Inventor: **Ancui Zhang**, Sichuan (CN)
- (**) Term: **15 Years**
- (21) Appl. No.: **29/821,935**
- (22) Filed: **Jan. 4, 2022**
- (51) **LOC (14) Cl.** **21-01**
- (52) **U.S. Cl.**
USPC **D21/564; D21/565**
- (58) **Field of Classification Search**
USPC D21/320, 359, 564, 565
CPC A63H 18/02; A63H 18/00; A63H 18/12;
A63H 18/028; A63H 18/04; A63H 18/023
See application file for complete search history.

(56) **References Cited**

U.S. PATENT DOCUMENTS

1,697,023	A *	1/1929	Rothenburg	A63F 3/00082 273/246
3,205,833	A *	9/1965	Fitzpatrick	A63H 18/12 246/415 A
4,373,293	A *	2/1983	Kakizaki	A63H 18/026 446/454
D345,997	S	4/1994	Vadnal		
D559,333	S *	1/2008	Maleika	D21/565
D689,141	S *	9/2013	Mimlitch, III	D21/565
D917,631	S *	4/2021	Wang	D21/564
2010/0081356	A1 *	4/2010	Lutchen	A63H 18/021 446/444
2016/0220915	A1 *	8/2016	Cheung	A63H 18/028
2019/0192983	A1 *	6/2019	Silverglate	A63H 18/04
2019/0255451	A1 *	8/2019	Paperno	A63H 18/02

OTHER PUBLICATIONS

Aotipol, Electric Racing Tracks, amazon.com, Jul. 18, 2021, retrieved Sep. 23, 2022, https://www.amazon.com/Electric-Racing-Tracks-Boys-Including/dp/B0953K2PLH/ref=cm_cr_ar_p_d_product_top?ie=UTF8 (Year: 2021).*

* cited by examiner

Primary Examiner — Katherine A Holbrow
(74) *Attorney, Agent, or Firm* — ScienBiziP, P.C.

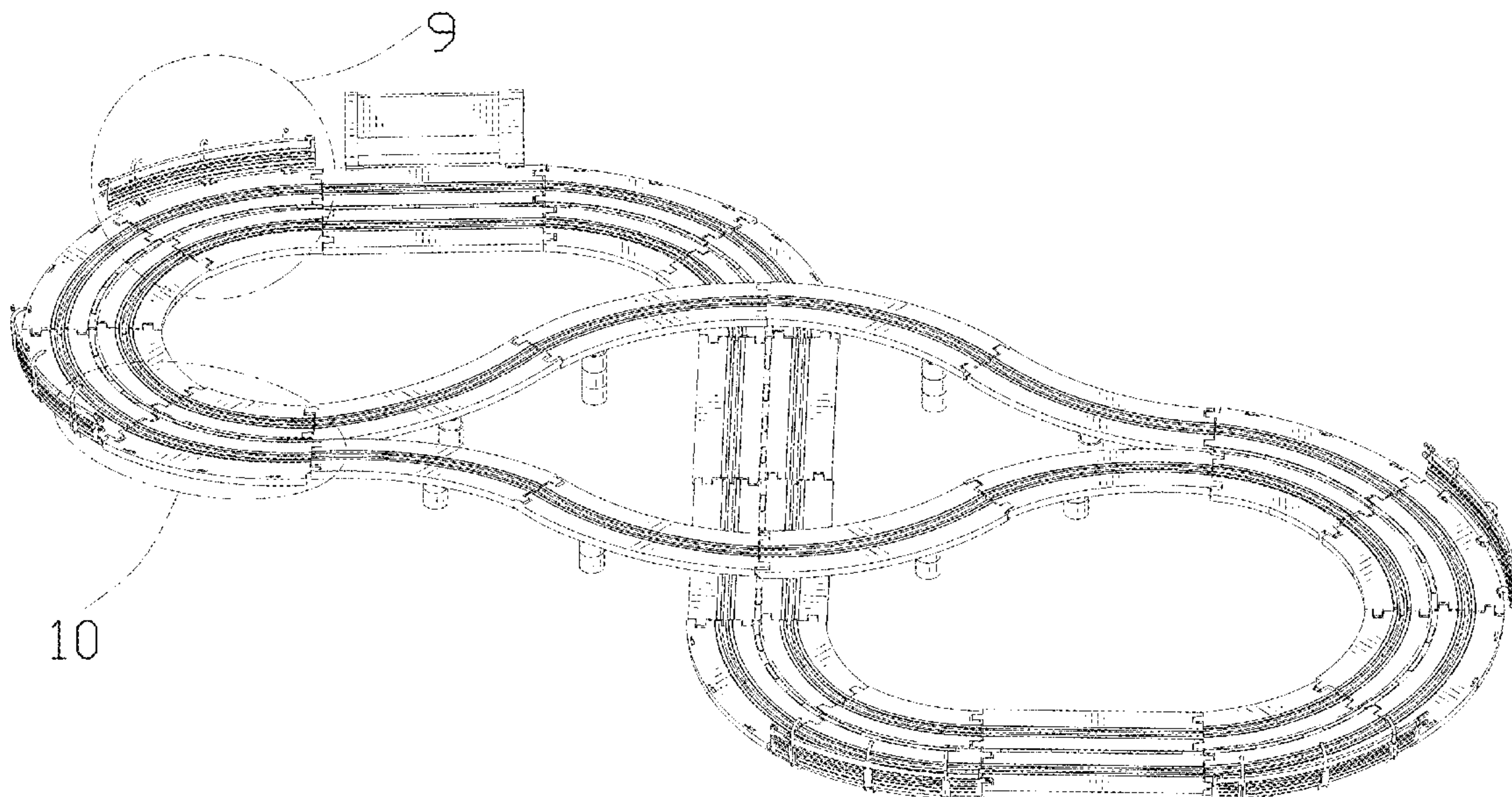
(57) **CLAIM**

The ornamental design for a race car track, as shown and described.

DESCRIPTION

FIG. 1 is a front, right, and top perspective view of a race car track, showing my design.
 FIG. 2 is a rear, left, and bottom perspective view thereof.
 FIG. 3 is a front plan view thereof.
 FIG. 4 is a rear plan view thereof.
 FIG. 5 is a left side elevation view thereof.
 FIG. 6 is a right side elevation view thereof.
 FIG. 7 is a top side elevation view thereof.
 FIG. 8 is a bottom side elevation view thereof.
 FIG. 9 is a partial enlarged view of an area labeled 9 in FIG. 1 comprising a first component part.
 FIG. 10 is a partial enlarged view of an area labeled 10 in FIG. 1 comprising a second component part.
 FIG. 11 is a partial enlarged view of an area labeled 11 in FIG. 2 comprising a third component part.
 FIG. 12 is a partial enlarged view of an area labeled 12 in FIG. 2 comprising a fourth component part.
 FIG. 13 is a partial enlarged view of an area labeled 13 in FIG. 6 comprising a fifth component part; and,
 FIG. 14 is a partial enlarged view of an area labeled 14 in FIG. 7 comprising a sixth component part.
 Dot-dash broken lines framing portions of the claimed design that are illustrated for enlargements form no part of the claimed design.

1 Claim, 14 Drawing Sheets



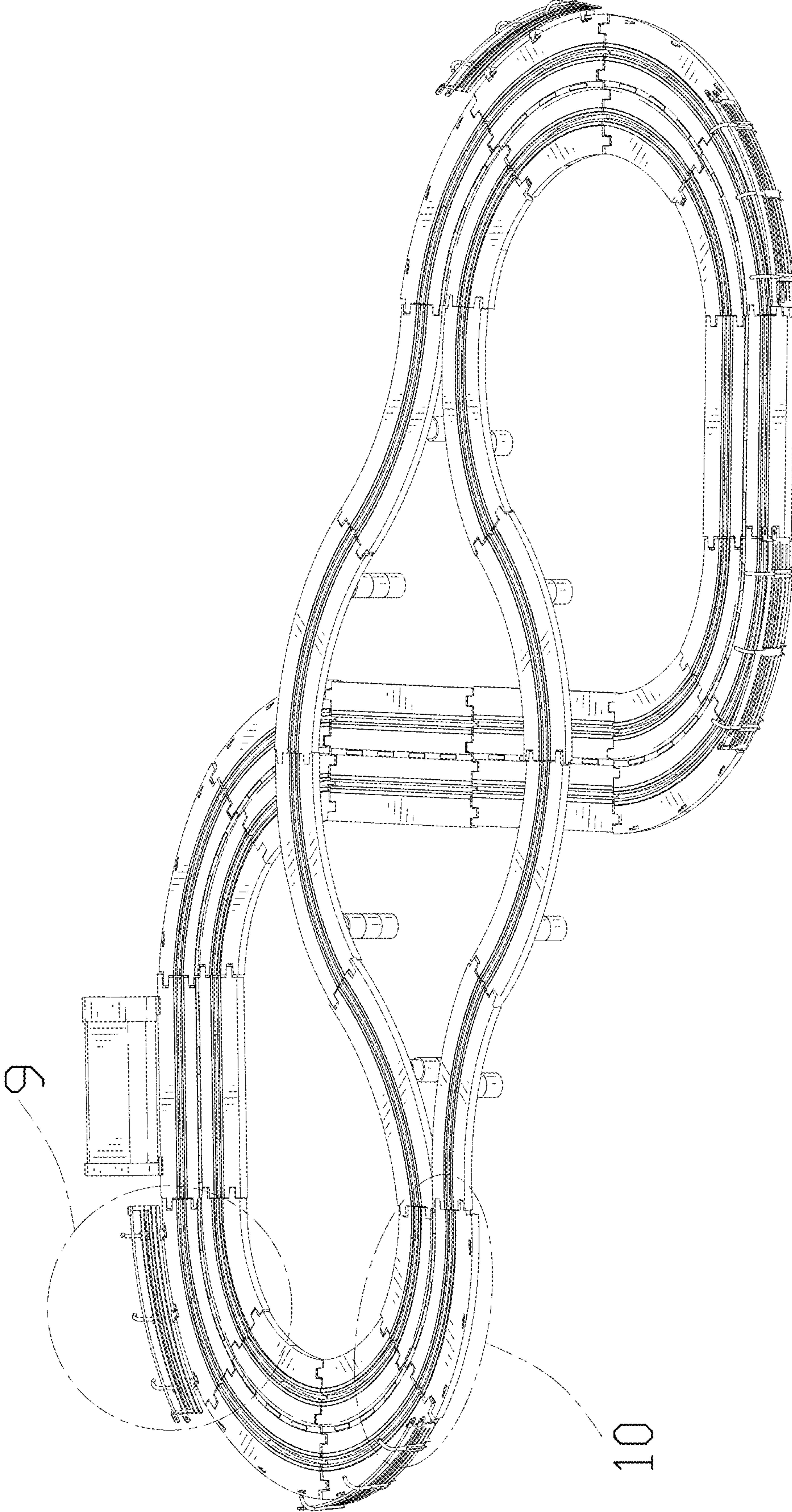


FIG. 1

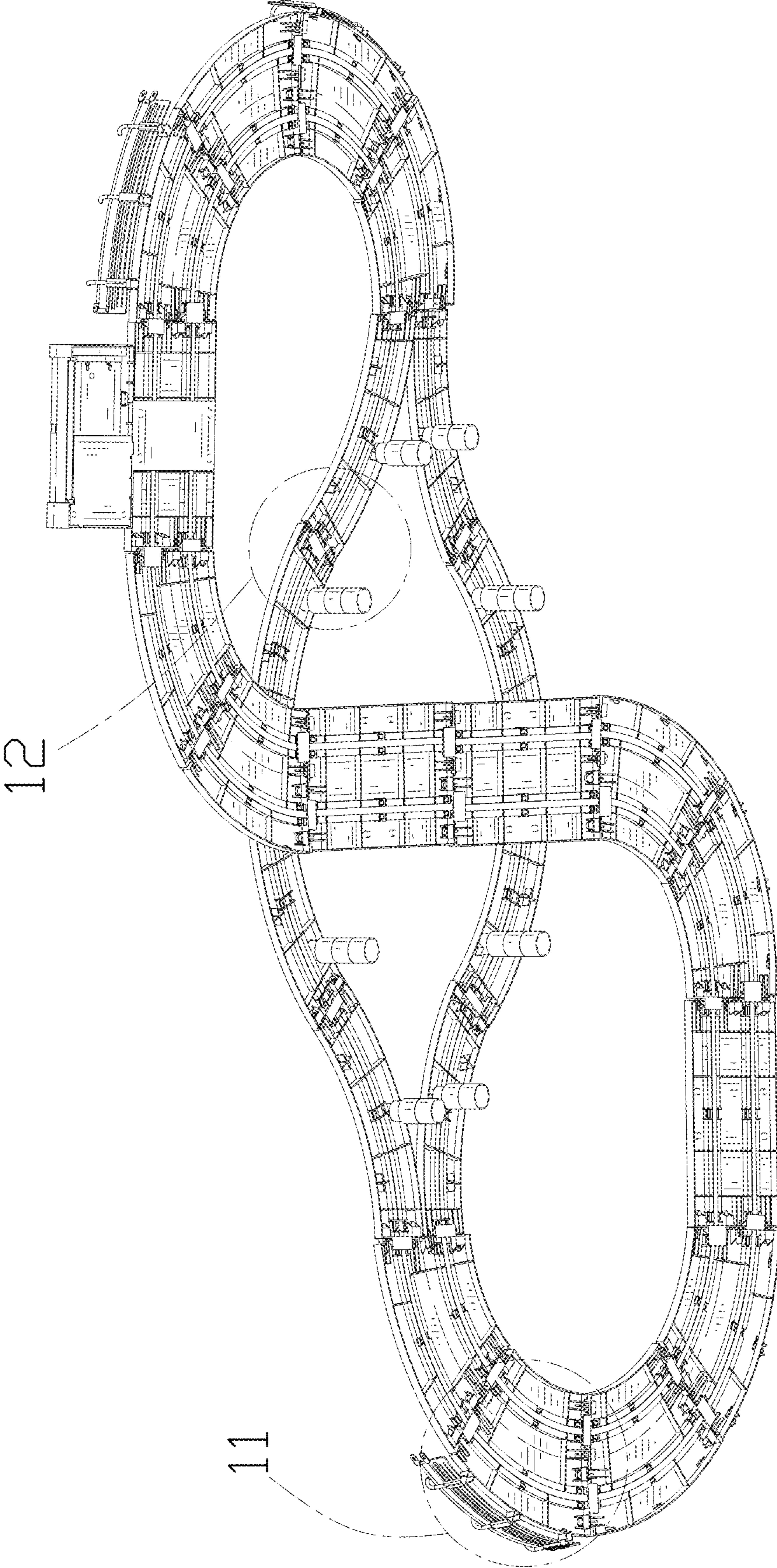


FIG. 2

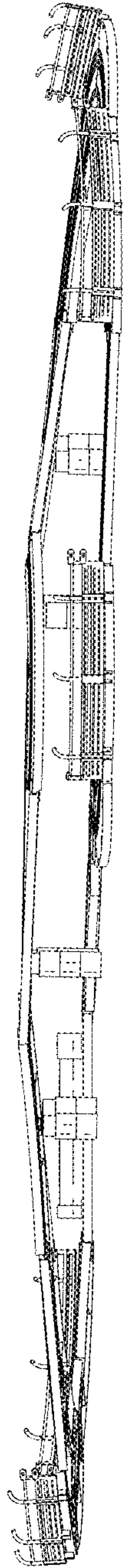


FIG. 3

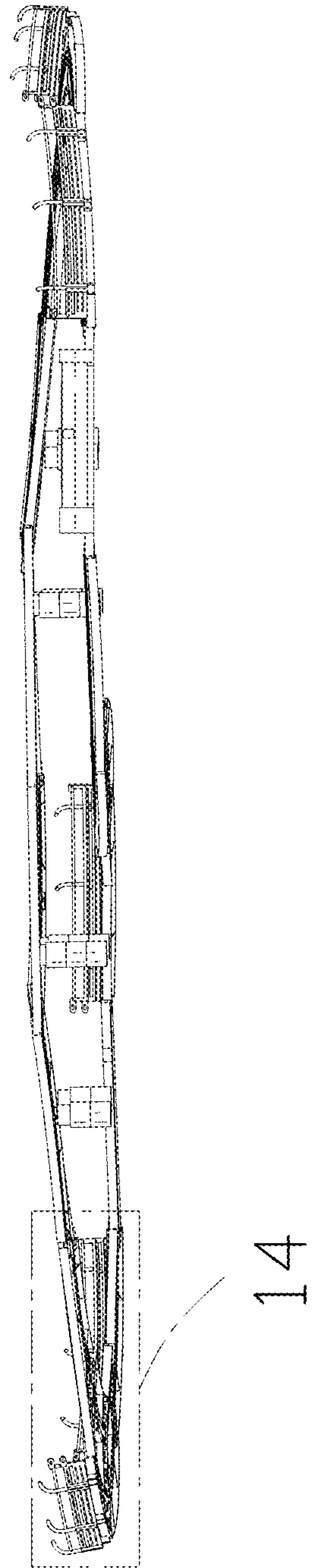


FIG. 4

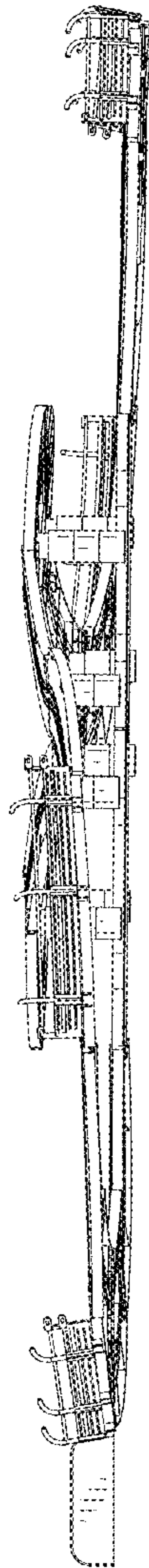


FIG. 5

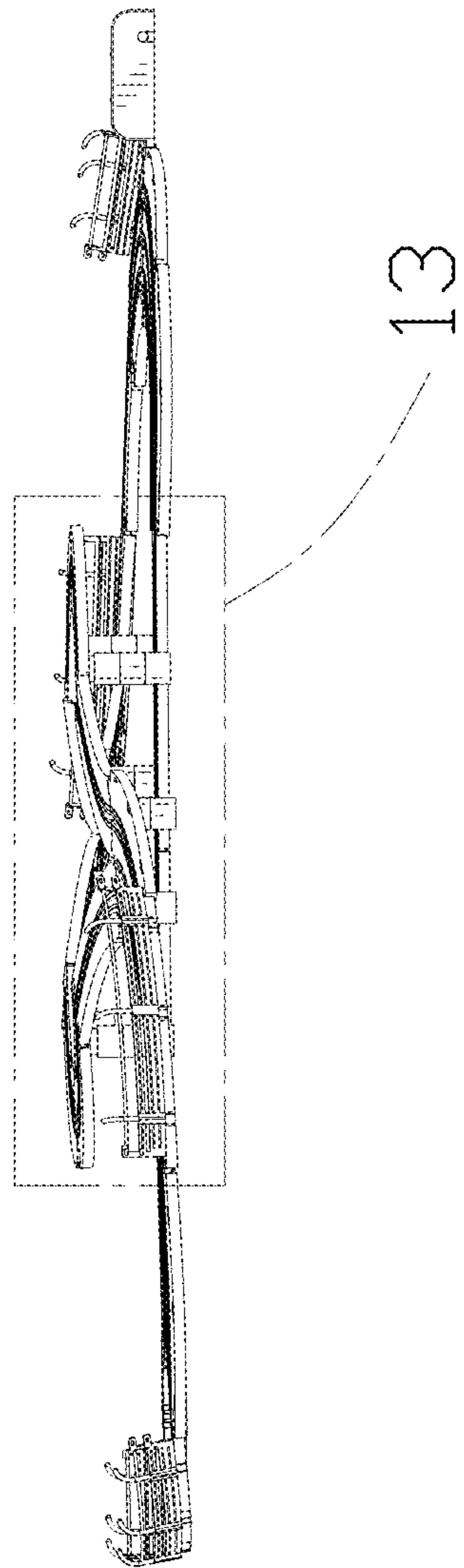


FIG. 6

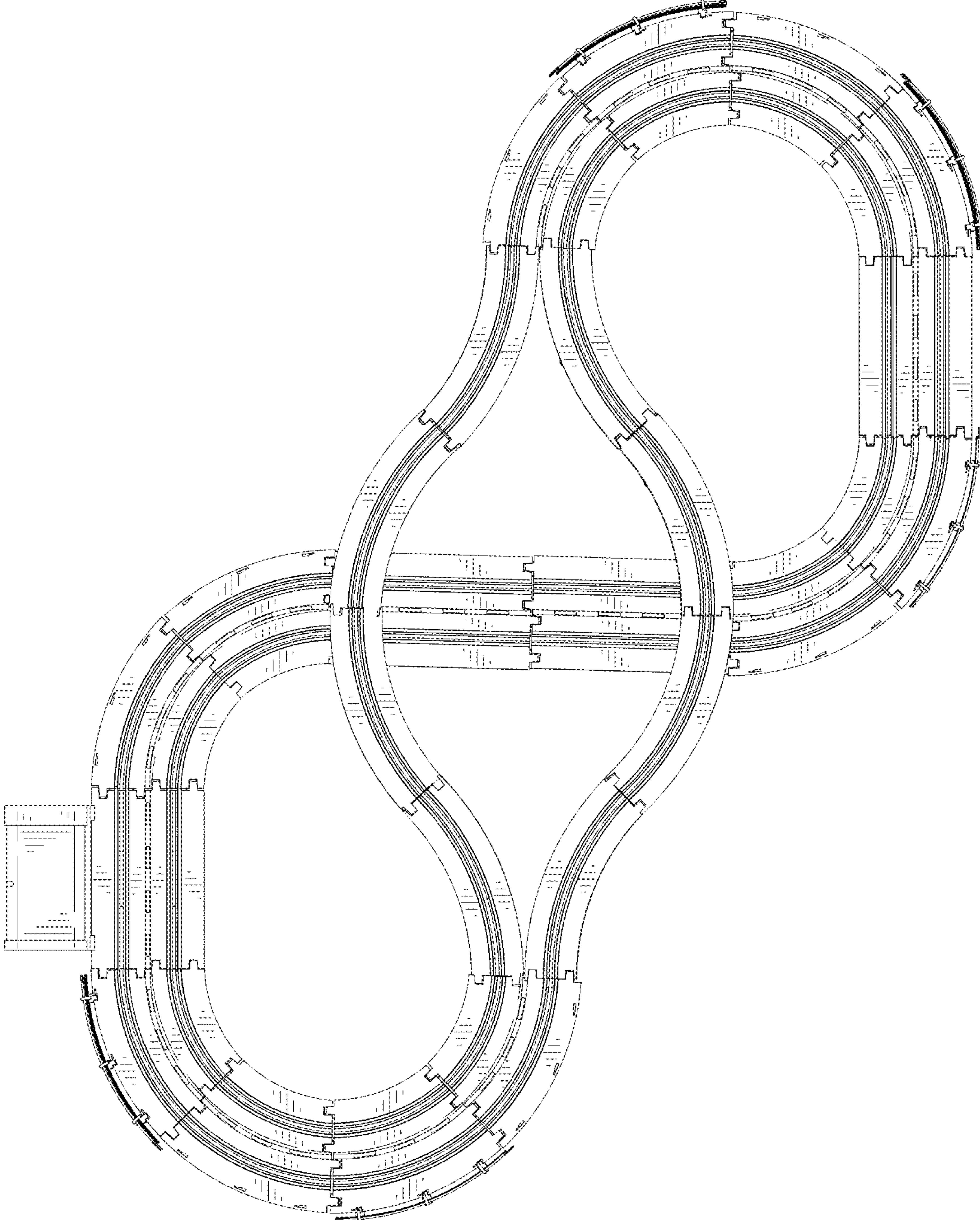


FIG. 7

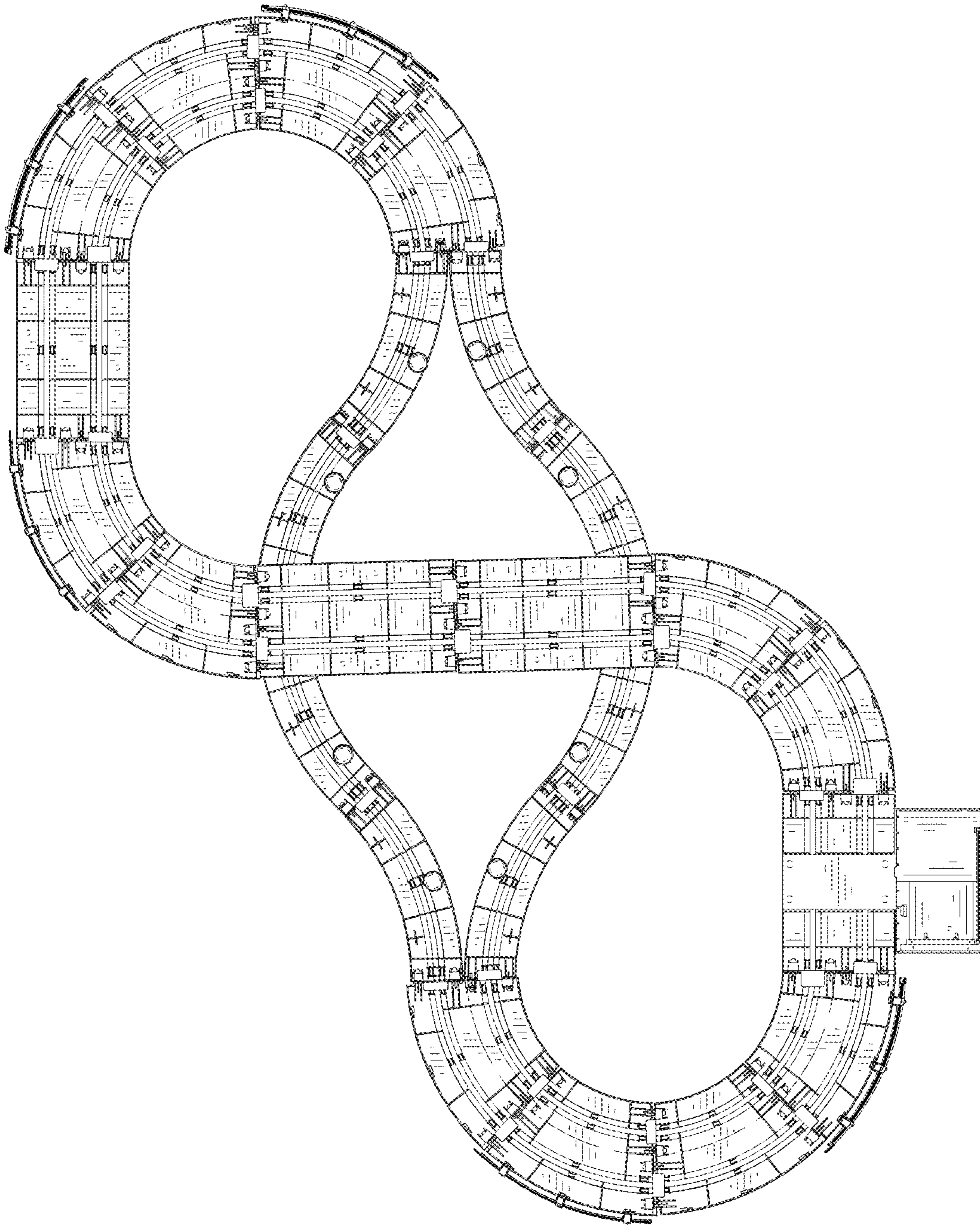


FIG. 8

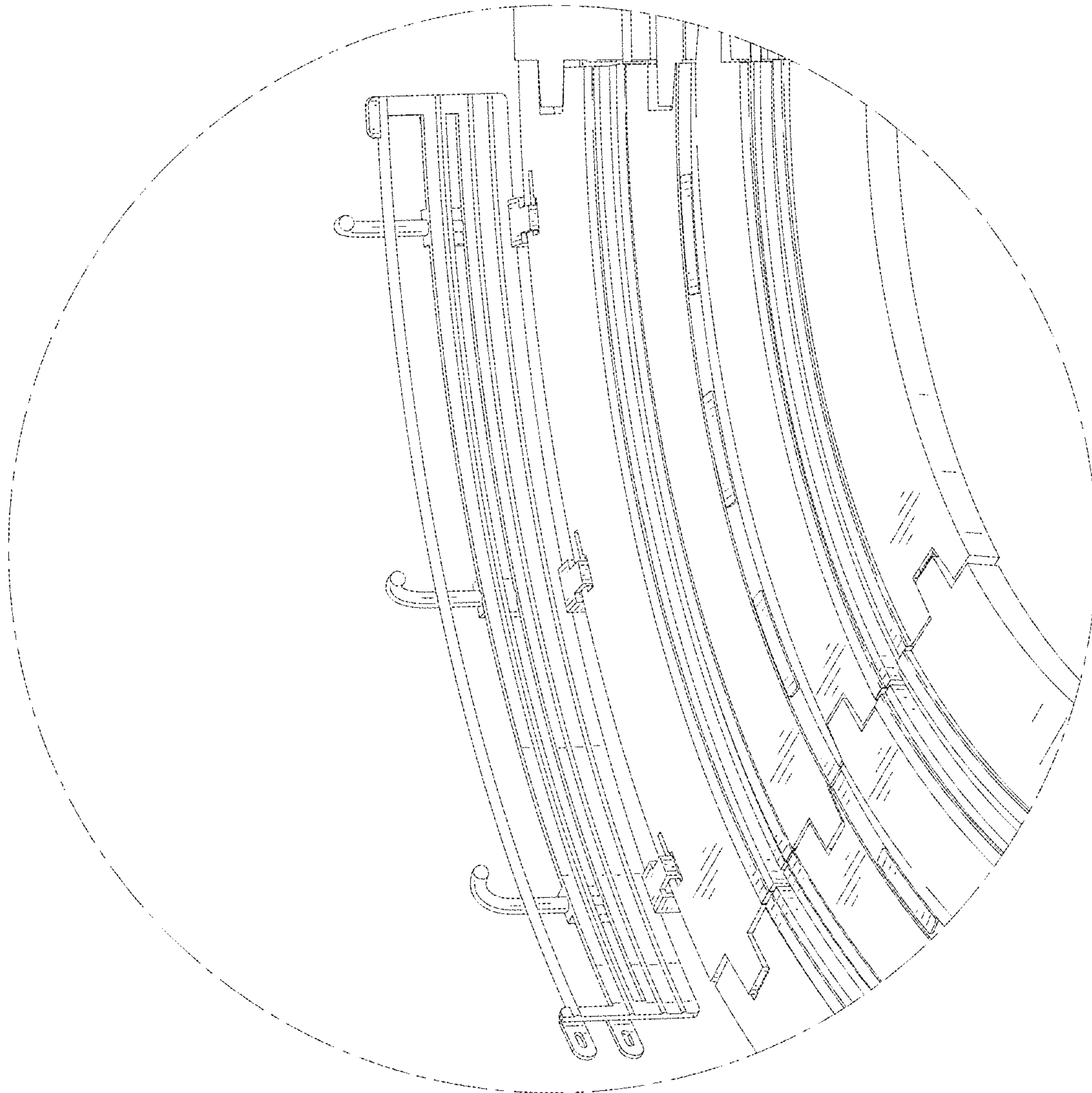


FIG. 9

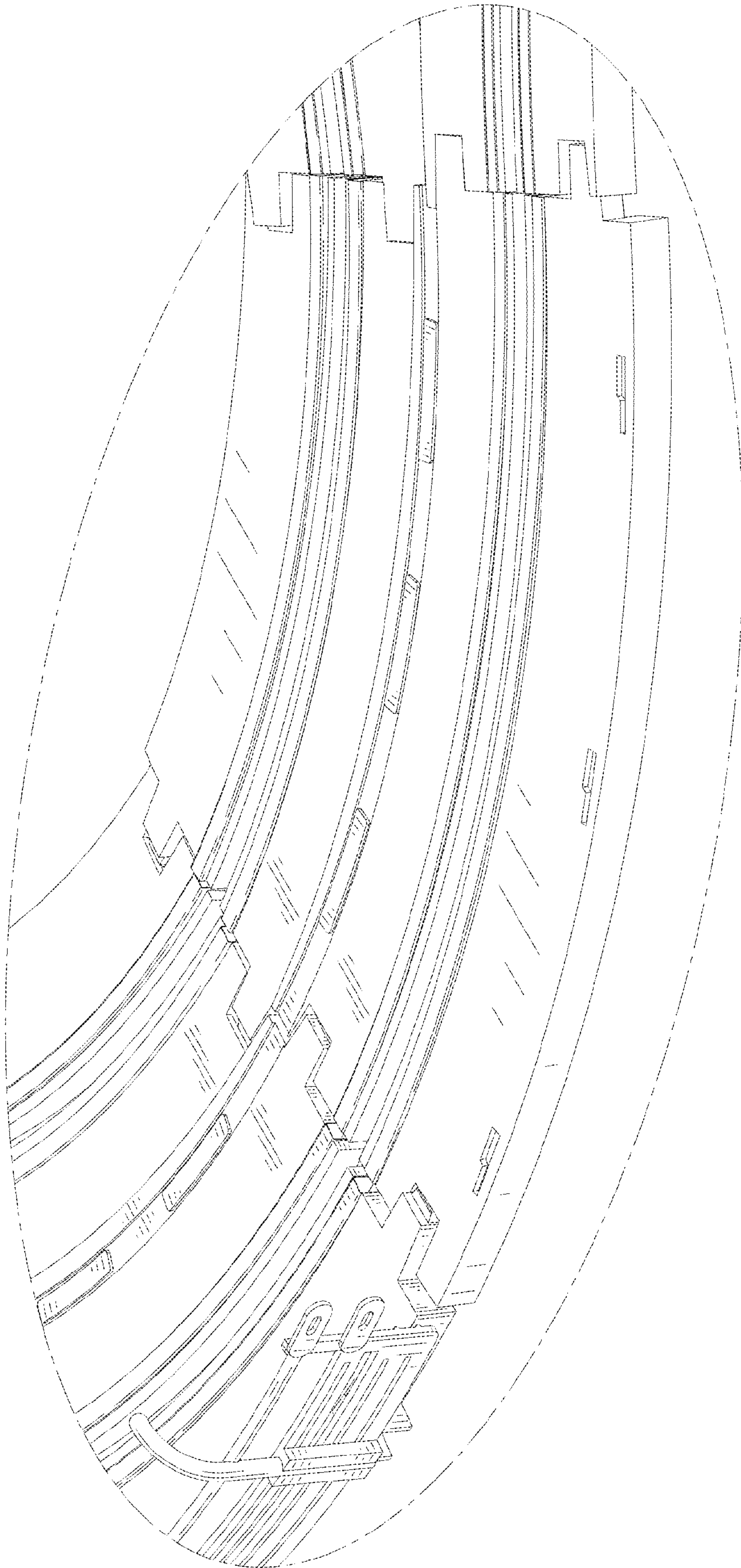


FIG. 10

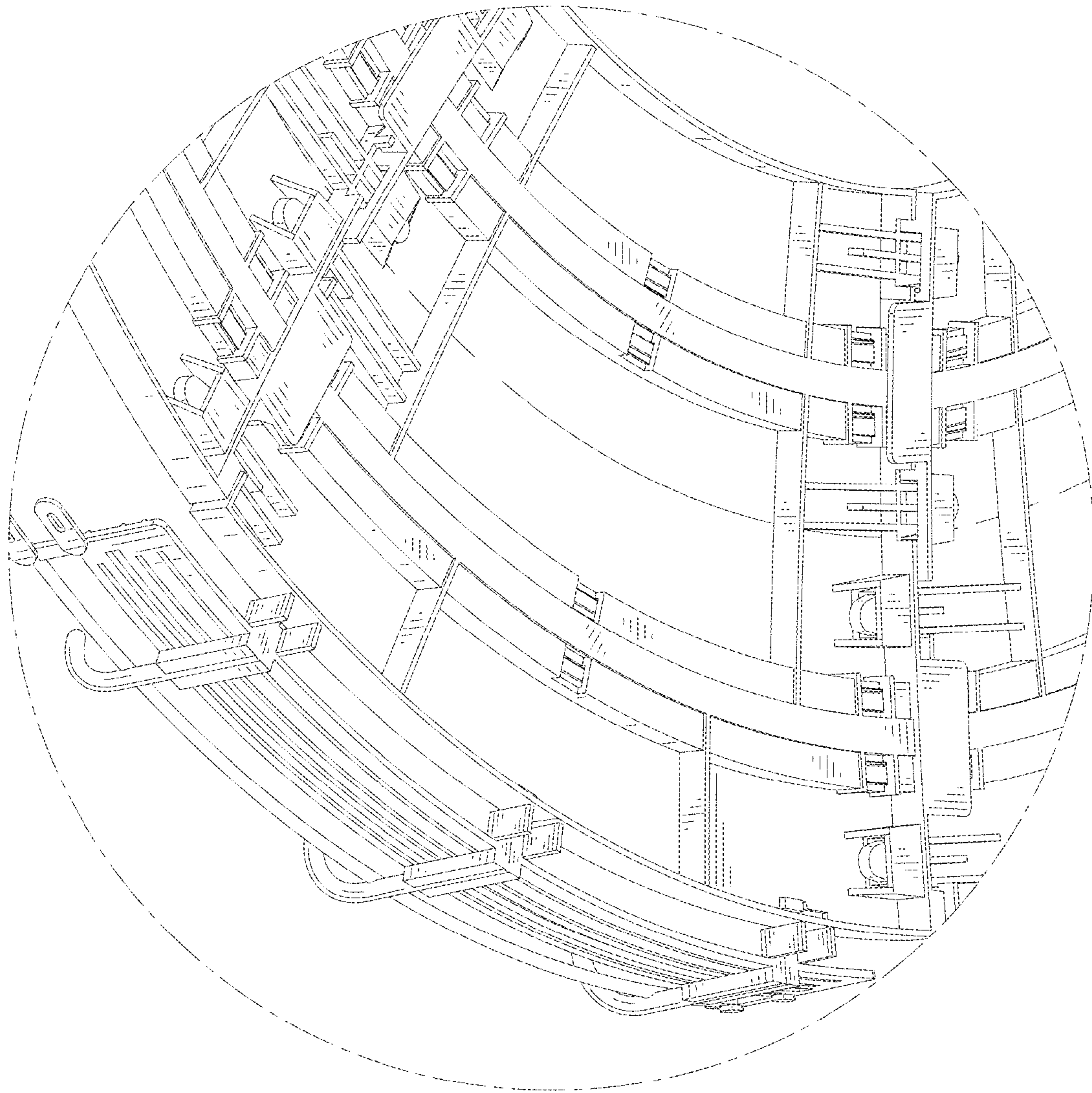


FIG. 11

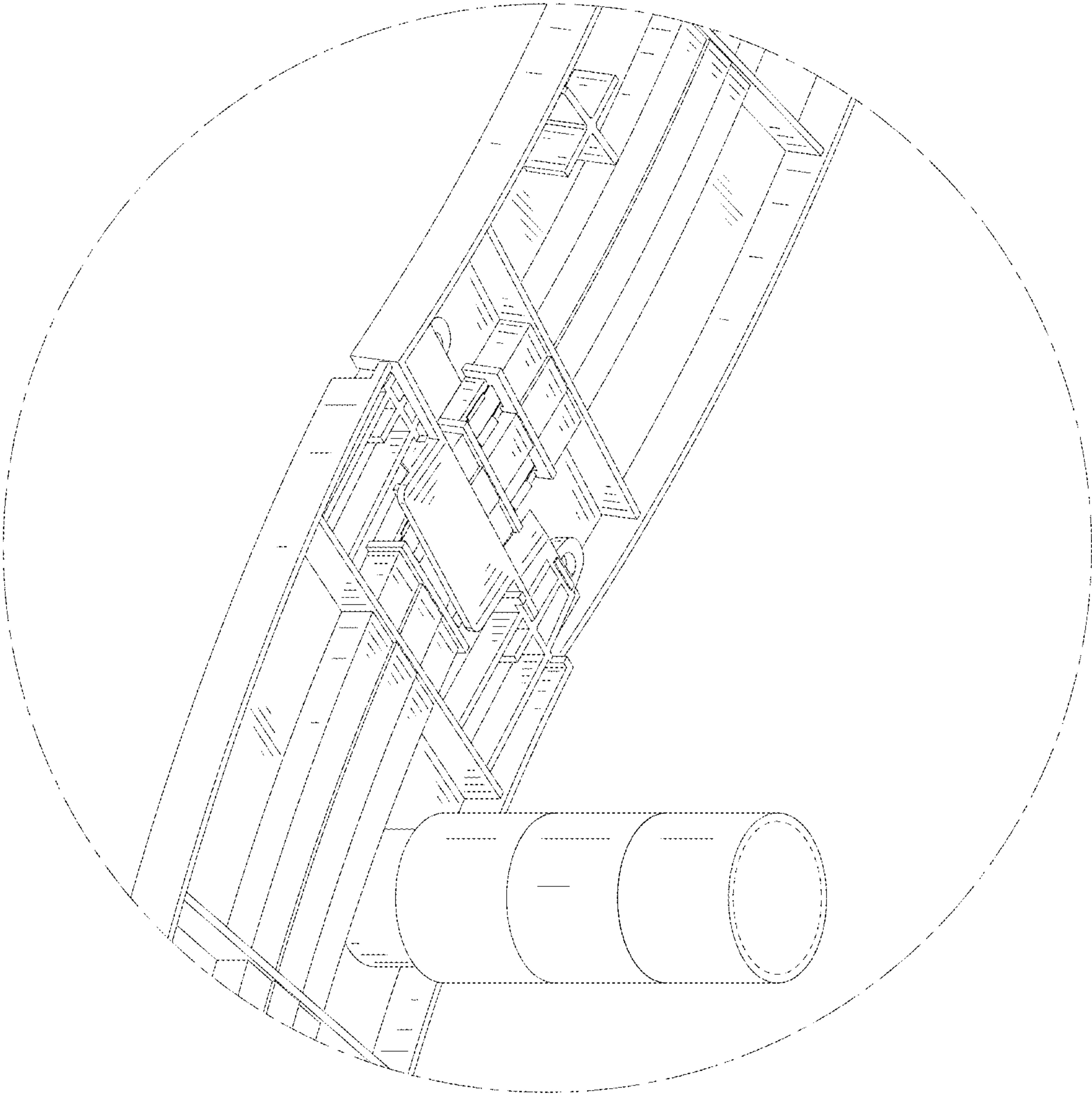


FIG. 12

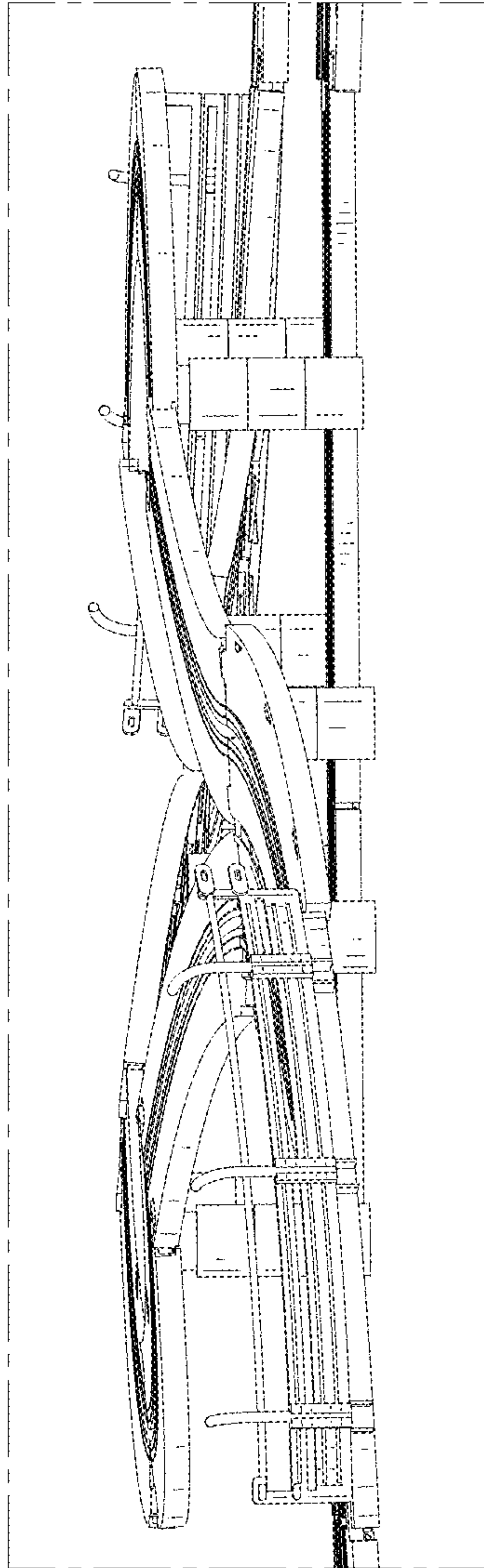


FIG. 13

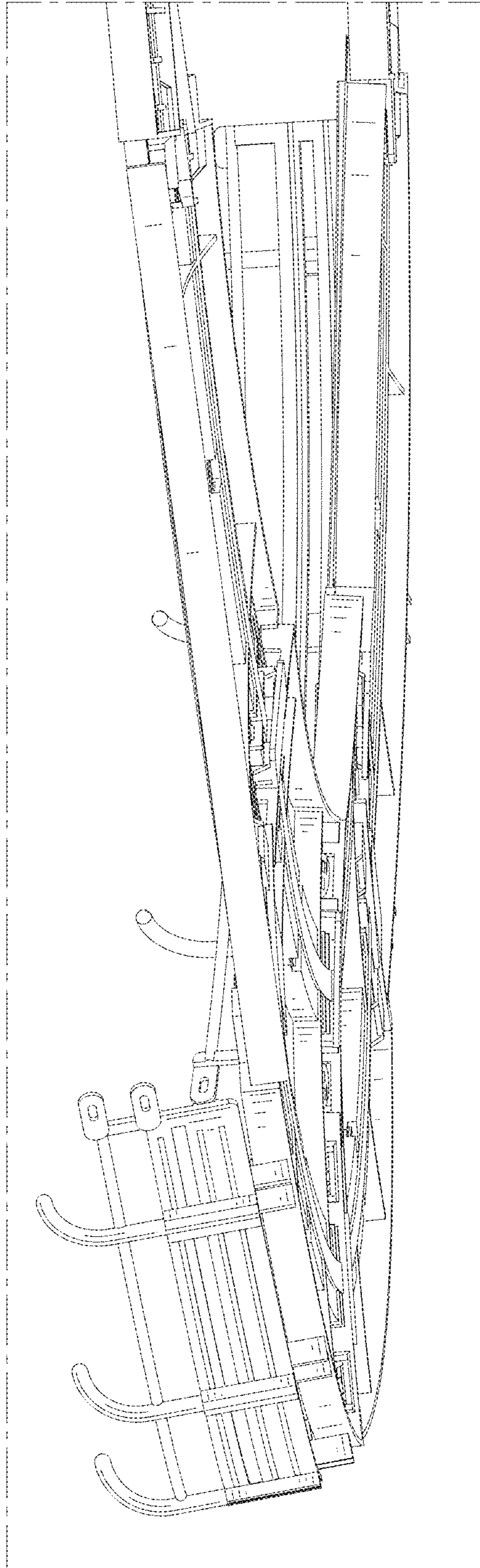


FIG. 14