



US00D975203S

(12) **United States Design Patent** (10) **Patent No.:** **US D975,203 S**
Xu (45) **Date of Patent:** **** Jan. 10, 2023**

(54) **TOY CAR**

(71) Applicant: **SHANTOU CITY CHENGHAI
JINGWEI INDUSTRIAL CO., LTD.,**
Shantou (CN)

(72) Inventor: **Yutao Xu**, Shantou (CN)

(**) Term: **15 Years**

(21) Appl. No.: **29/839,206**

(22) Filed: **May 19, 2022**

(30) **Foreign Application Priority Data**

Mar. 28, 2022 (CN) 202230164606.4

(51) **LOC (14) Cl.** **21-01**

(52) **U.S. Cl.**
USPC **D21/550**; D21/549; D21/533

(58) **Field of Classification Search**
USPC D21/533, 548-552, 557-561; D12/86
CPC A63H 17/262; A63H 17/26; A63H 17/00;
A63H 17/004; A63H 17/045; A63H
17/05; A63H 30/00
See application file for complete search history.

(56) **References Cited**

U.S. PATENT DOCUMENTS

D318,924 S * 8/1991 Yoshino D21/550
D639,351 S * 6/2011 Newmayer D21/578
D777,619 S * 1/2017 Barajas D12/171
D822,769 S * 7/2018 Tatopoulos D12/83
D837,307 S * 1/2019 Jin D21/549
D862,610 S * 10/2019 Barajas D21/548
D876,555 S * 2/2020 Barajas D21/548
D931,383 S 9/2021 Chen
D936,157 S 11/2021 Lee
D936,158 S * 11/2021 Huang D12/88
D939,030 S 12/2021 Ye

D940,253 S * 1/2022 Bao D21/533
D940,254 S * 1/2022 Lin D21/548
D952,051 S * 5/2022 Xu D21/550
D952,052 S * 5/2022 Xu D21/550
D952,054 S * 5/2022 Xu D21/552
2017/0080350 A1* 3/2017 Allmendinger A63H 30/04

OTHER PUBLICATIONS

GooIRC Wltoys RC Car, Mar. 28, 2021, amazon.com, retrieved Sep. 29, 2022, https://www.amazon.com/GooIRC-Control-2200mAh-Off-Road-Batteries/dp/B08FFTFZP2/ref=cm_cr_arp_d_pl_foot_top?ie=UTF8 (Year: 2021).*
CROBOLL Fast RC Cars, amazon.com, Apr. 3, 2022, retrieved Sep. 29, 2022, https://www.amazon.com/CROBOLL-Off-Road-Oil-Filled-Absorbers-Batteries/dp/B09T3W9FKM/ref=cm_cr_arp_d_pl_foot_top?ie=UTF8 (Year: 2022).*

(Continued)

Primary Examiner — Katherine A Holbrow
(74) *Attorney, Agent, or Firm* — Rumit Ranjit Kanakia

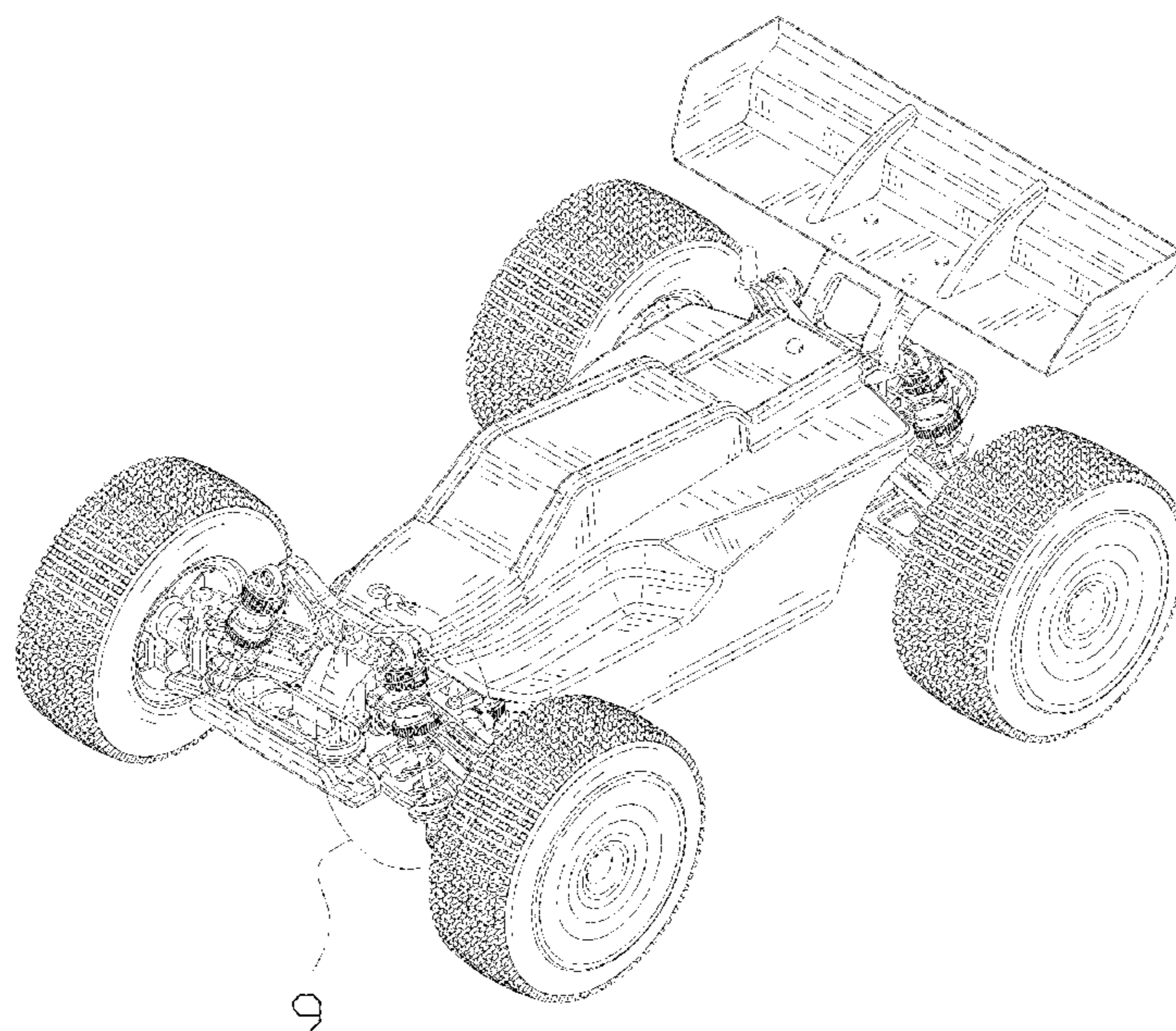
(57) **CLAIM**

The ornamental design for a toy car, as shown and described.

DESCRIPTION

FIG. 1 is a first perspective view of a toy car showing my new design;
FIG. 2 is a second perspective view thereof;
FIG. 3 is a front view thereof;
FIG. 4 is a back view thereof;
FIG. 5 is a left side view thereof;
FIG. 6 is a right side view thereof;
FIG. 7 is a top view thereof;
FIG. 8 is a bottom view thereof; and,
FIG. 9 is an enlarged view of the selected portion 9 in FIG. 1.
The broken lines shown in the drawings depict portions the toy car that form no part of the claimed design.

1 Claim, 9 Drawing Sheets



(56)

References Cited

OTHER PUBLICATIONS

RLAARLO RC Cars B09DCHSQYW, amazon.com, Nov. 3, 2021, retrieved Sep. 29, 2022, https://www.amazon.com/RLAARLO-Rc-Cars-Off-Road-B09DCHSQYW/dp/B09DCHSQYW/ref=cm_cr_arp_d_pl_foot_top?ie=UTF8&th=1 (Year: 2021).*

* cited by examiner

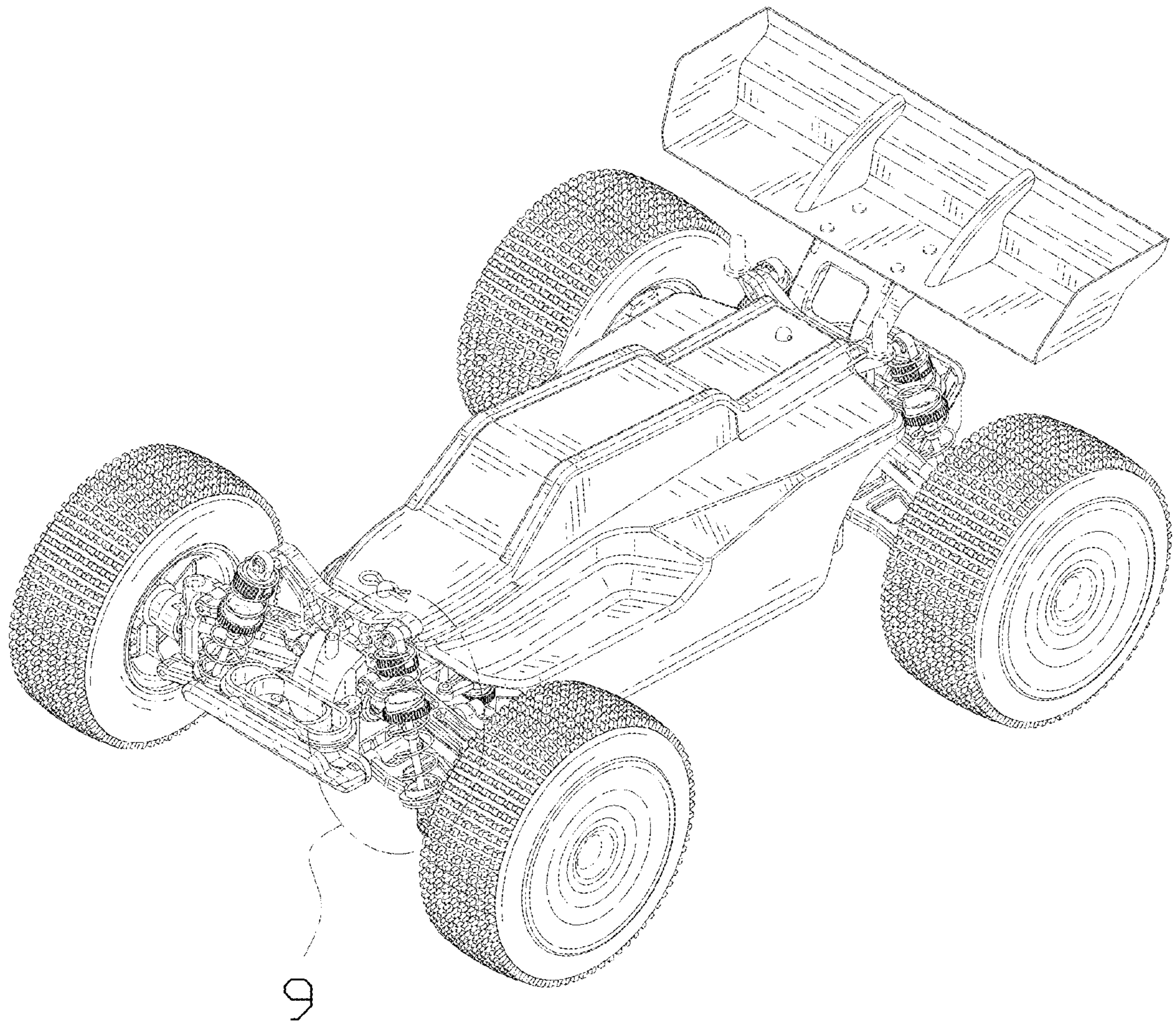


FIG. 1

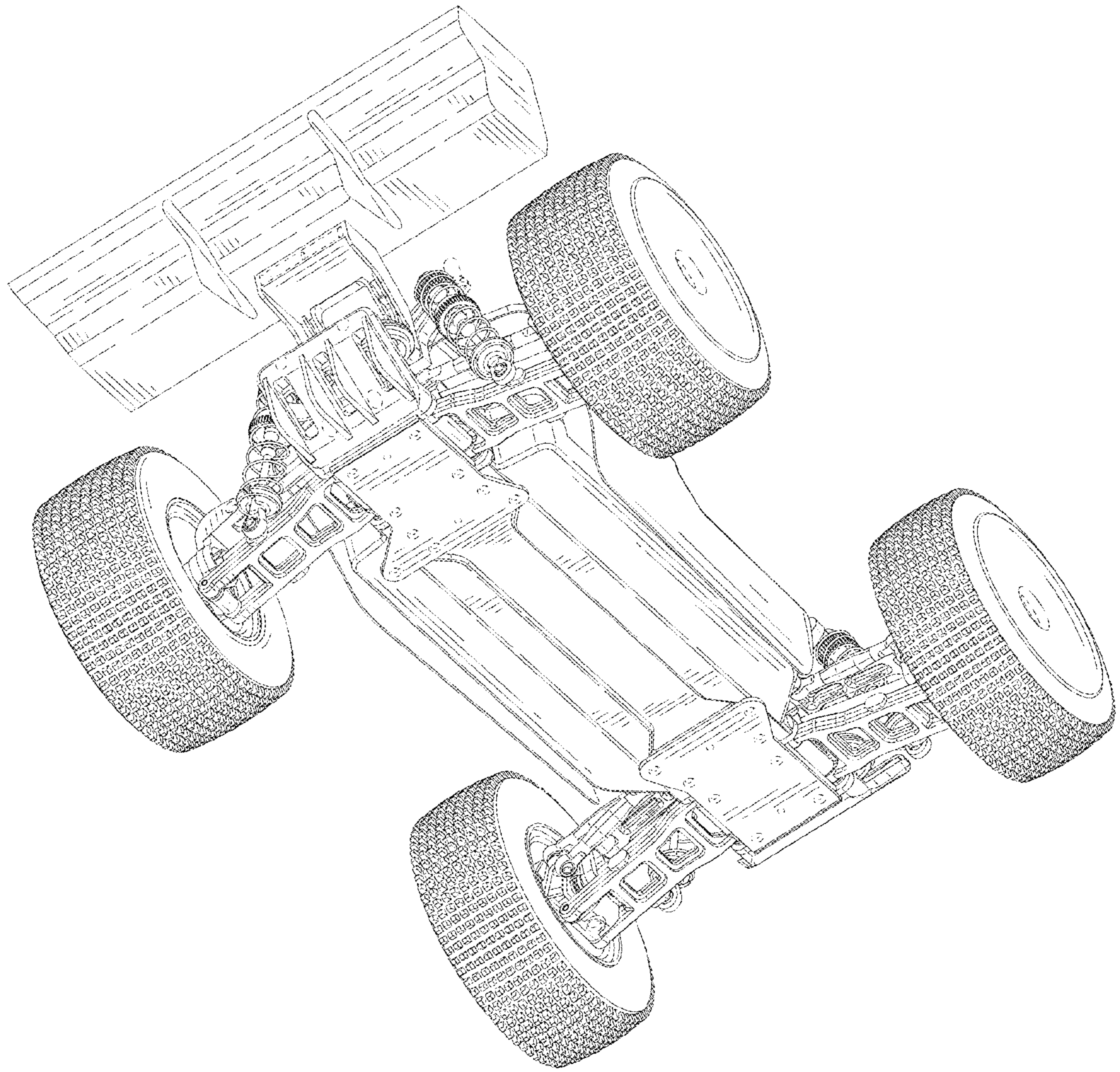


FIG. 2

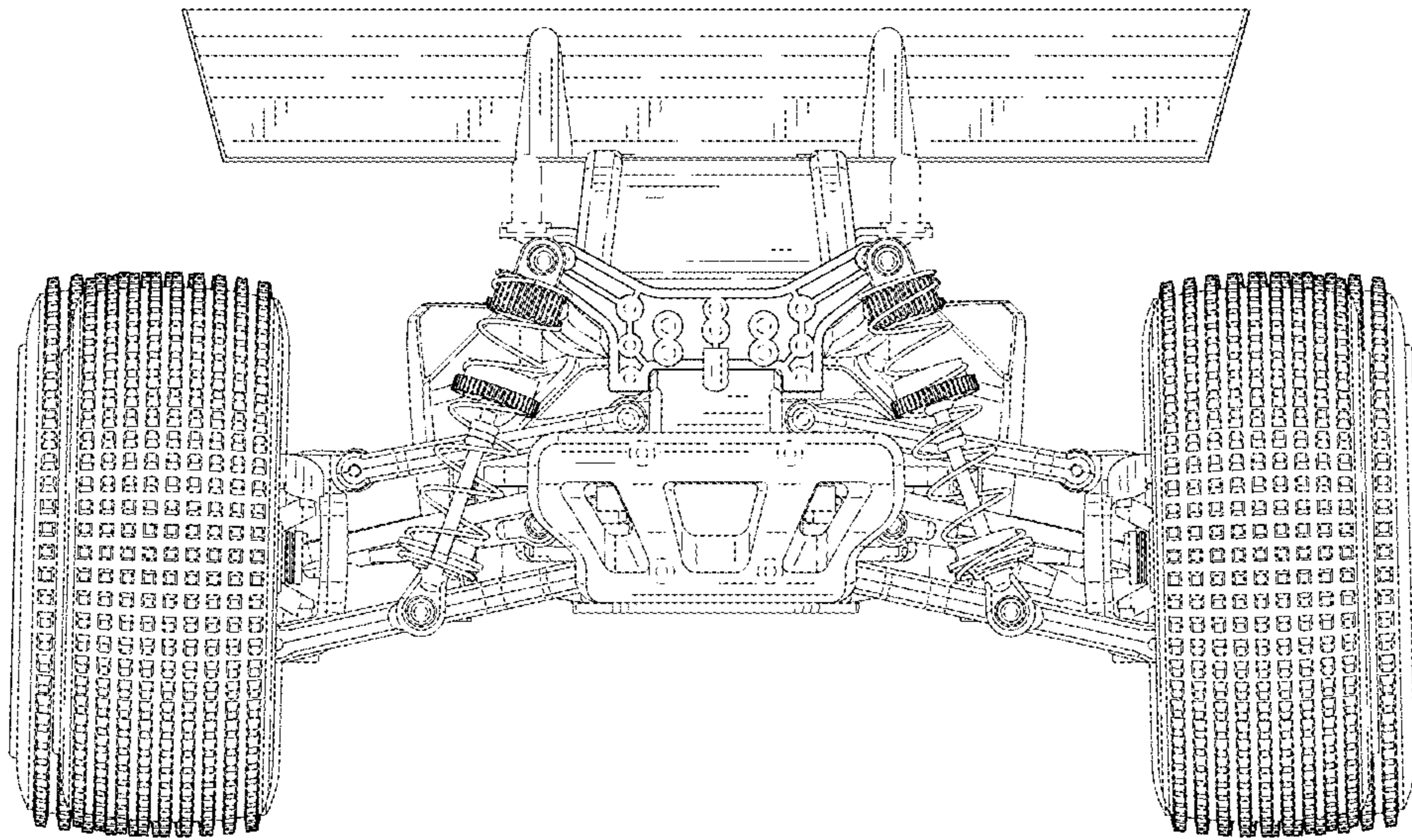


FIG. 3

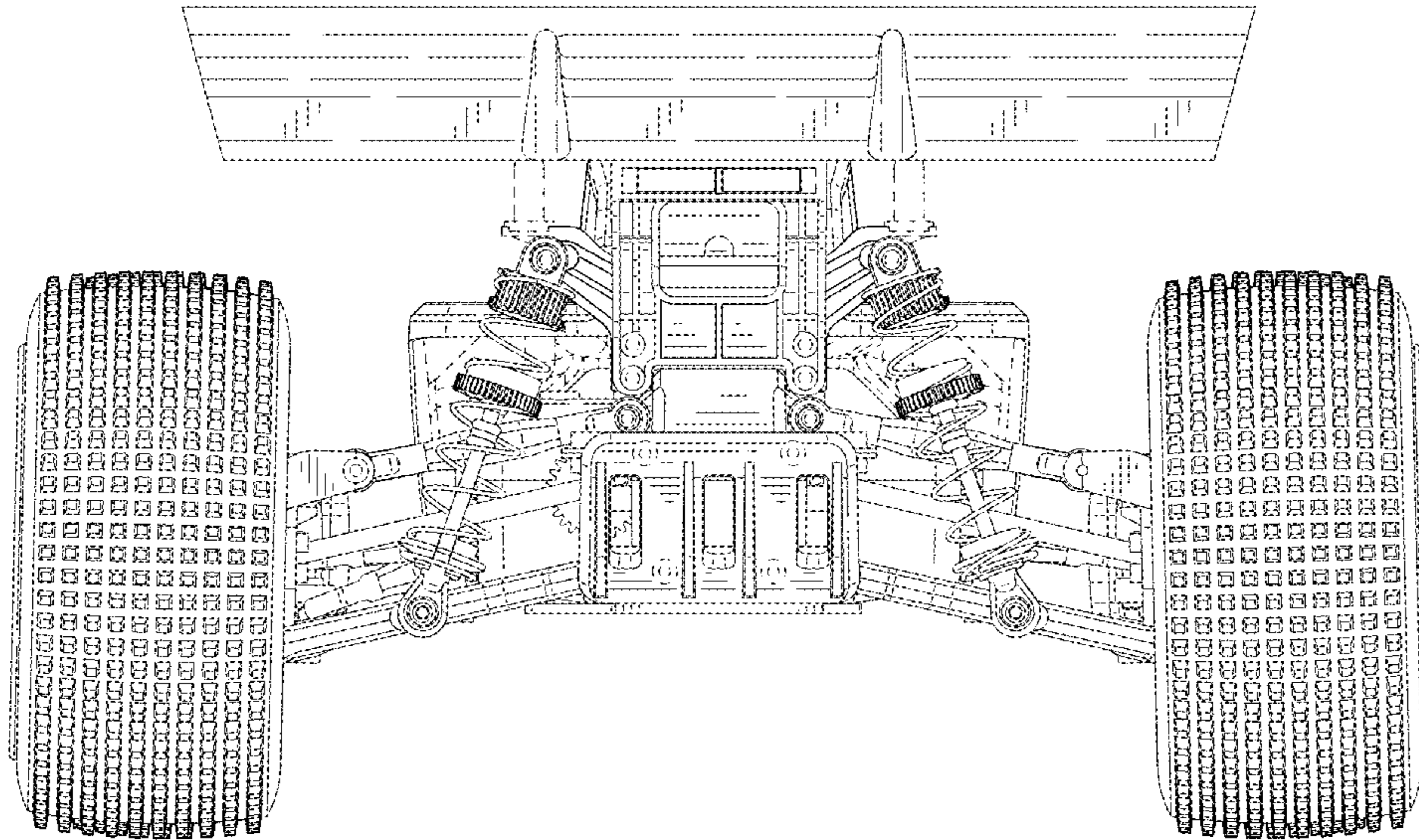


FIG. 4

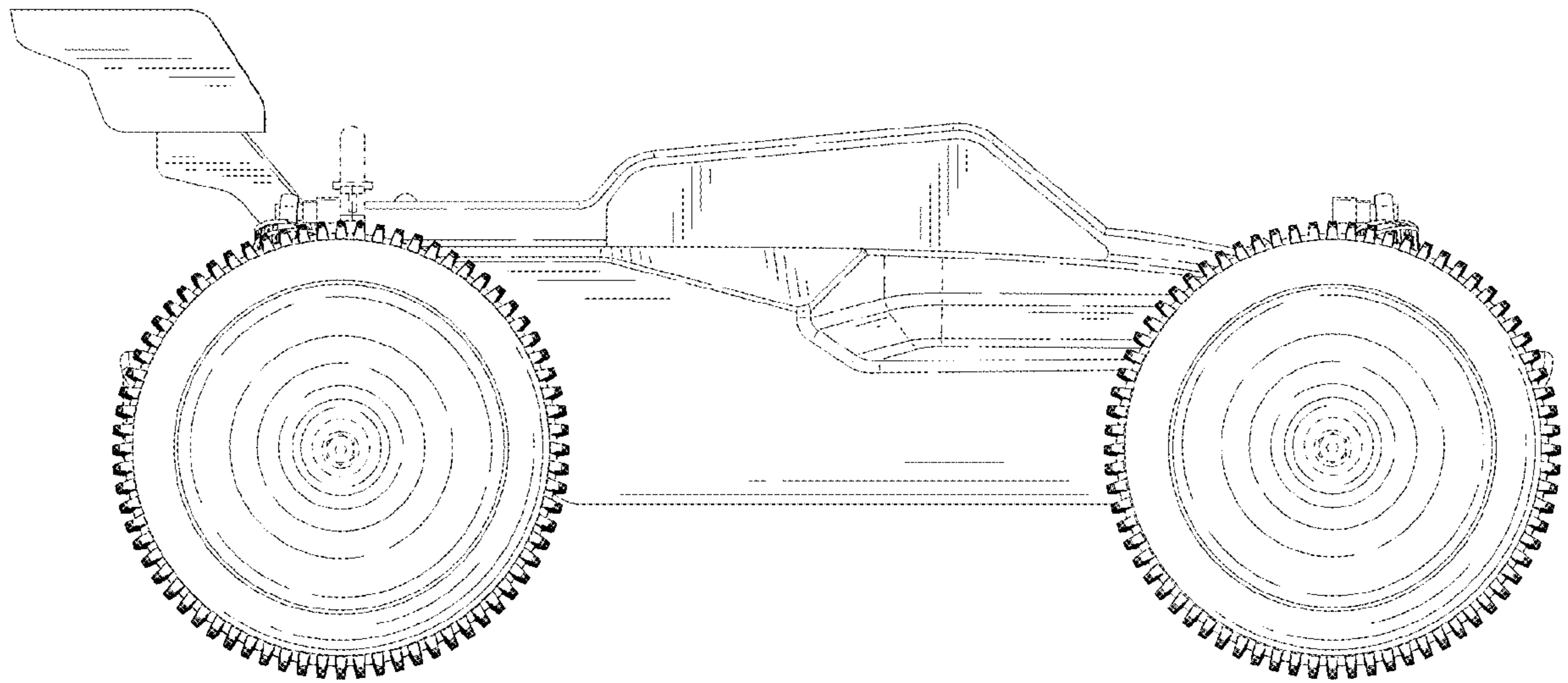


FIG. 5

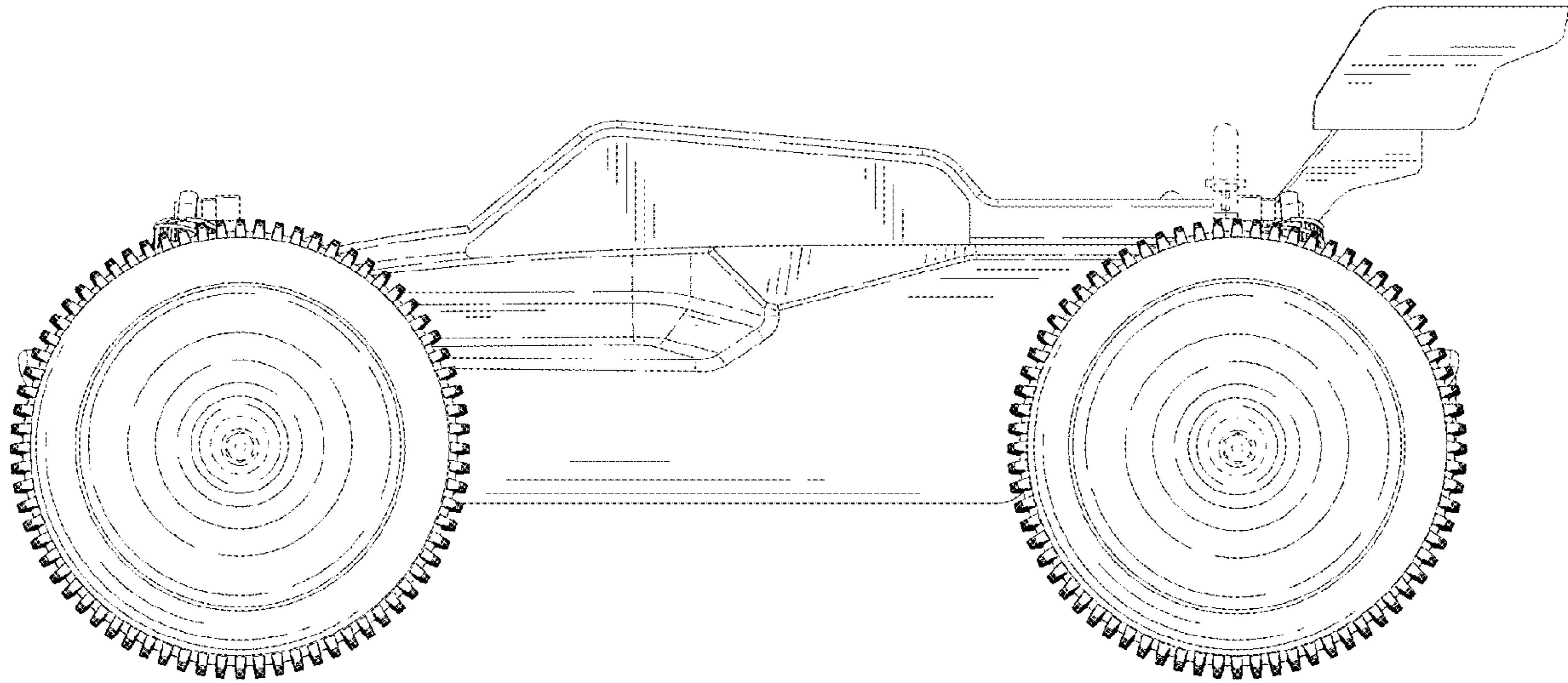


FIG. 6

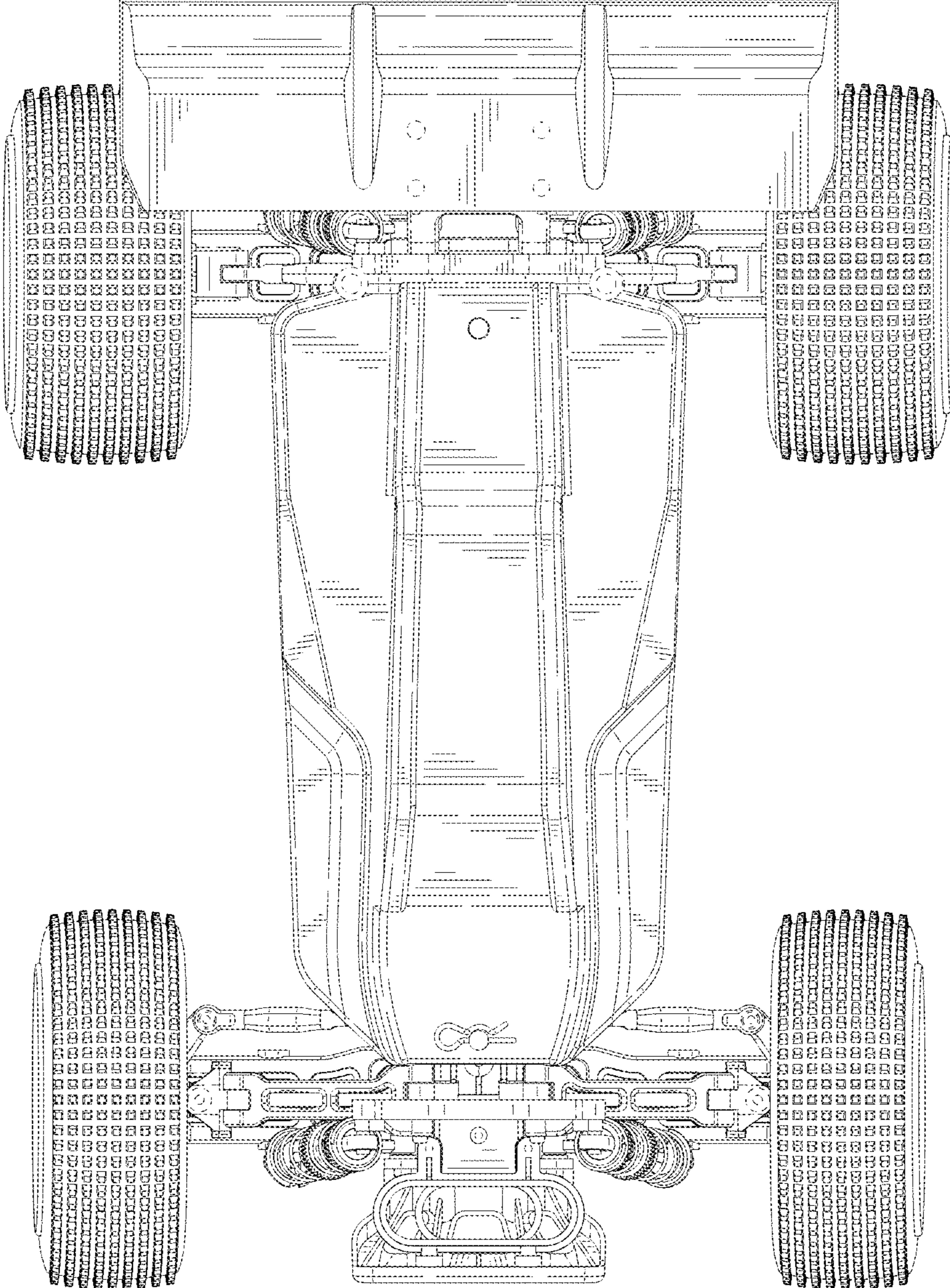


FIG. 7

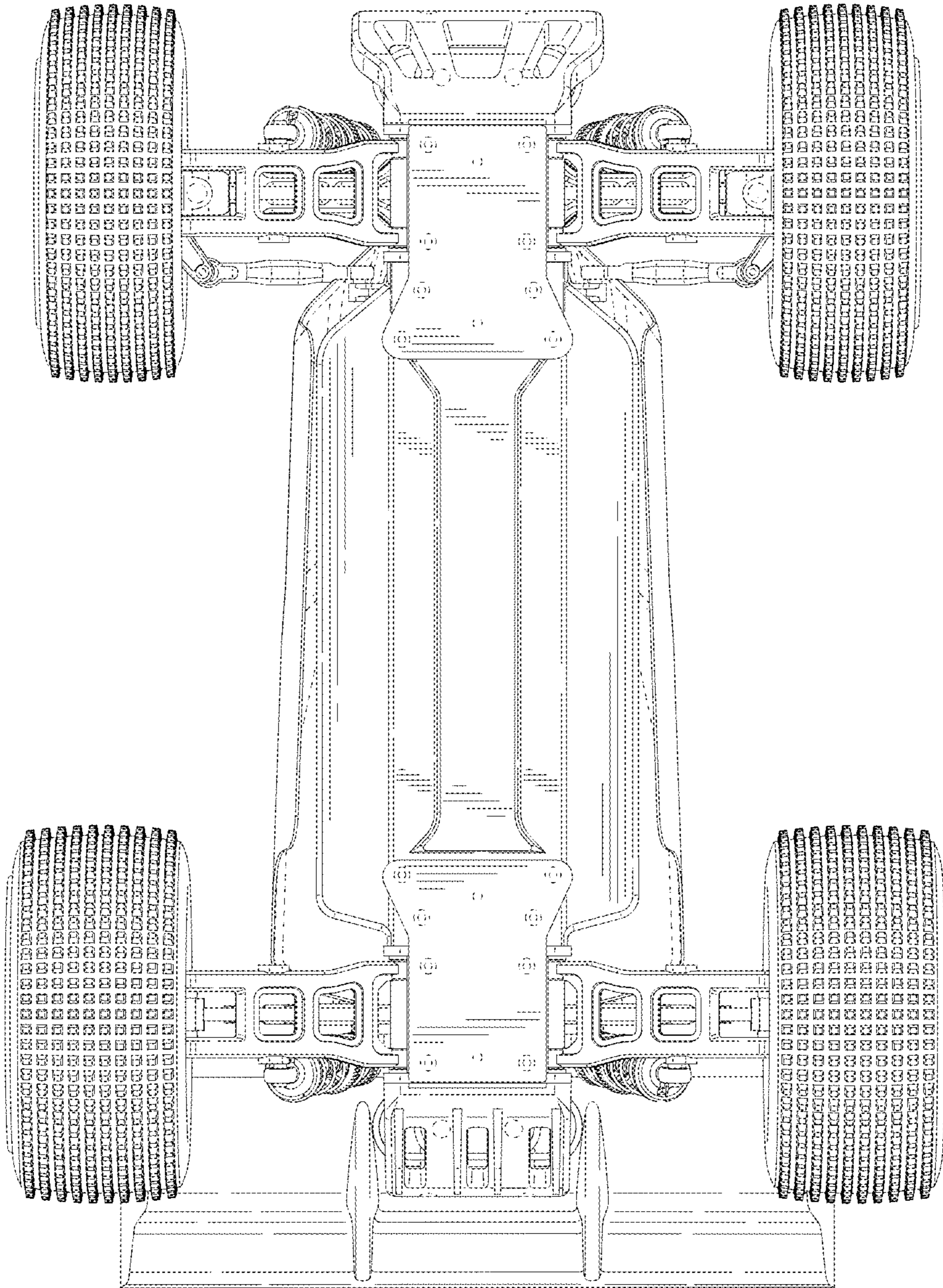


FIG. 8

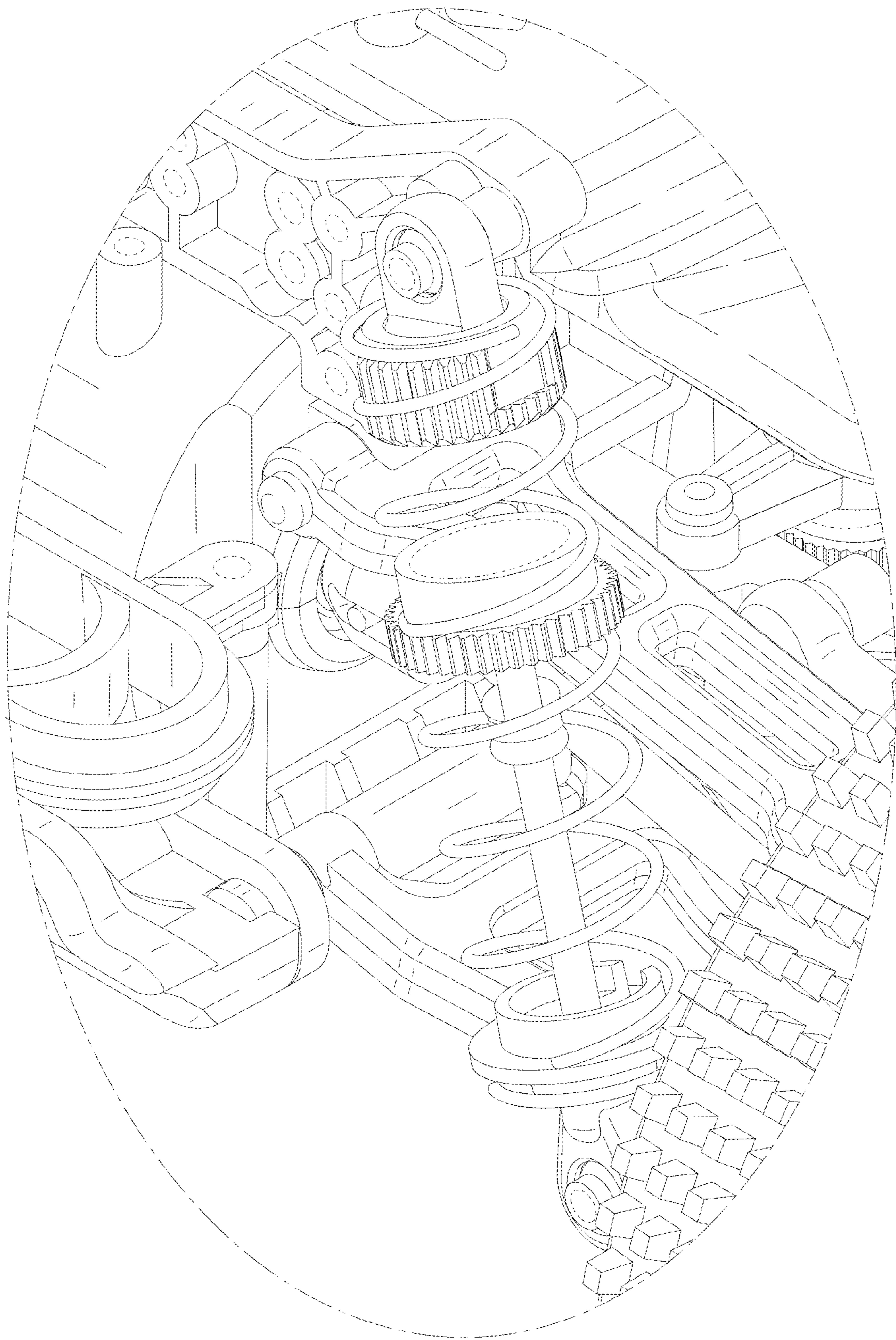


FIG. 9