



US00D975202S

(12) **United States Design Patent**
Xu

(10) **Patent No.:** **US D975,202 S**
(45) **Date of Patent:** **** Jan. 10, 2023**

(54) **TOY CAR**

(71) Applicant: **SHANTOU CITY CHENGHAI
JINGWEI INDUSTRIAL CO., LTD.,**
Shantou (CN)

(72) Inventor: **Yutao Xu**, Shantou (CN)

(**) Term: **15 Years**

(21) Appl. No.: **29/837,547**

(22) Filed: **May 6, 2022**

(30) **Foreign Application Priority Data**

Dec. 10, 2021 (CN) 202130817999.X

(51) **LOC (14) Cl.** **21-01**

(52) **U.S. Cl.**
USPC **D21/549**; D21/548; D21/533

(58) **Field of Classification Search**
USPC D21/533, 548-552, 557-561
CPC A63H 17/262; A63H 17/26; A63H 17/00;
A63H 17/004; A63H 17/045; A63H
17/05; A63H 30/00
See application file for complete search history.

(56) **References Cited**

U.S. PATENT DOCUMENTS

| | | | | | |
|------------|---|---------|---------|-------|---------|
| D281,000 S | * | 10/1985 | Kuna | | D21/559 |
| D425,141 S | * | 5/2000 | Park | | D21/550 |
| D802,685 S | * | 11/2017 | Barajas | | D21/562 |
| D871,512 S | * | 12/2019 | Cai | | D21/550 |
| D879,212 S | * | 3/2020 | Barajas | | D21/562 |
| D897,452 S | * | 9/2020 | Lin | | D21/552 |
| D897,453 S | * | 9/2020 | Zhang | | D21/550 |
| D904,531 S | * | 12/2020 | Barajas | | D21/562 |
| D930,760 S | * | 9/2021 | Ewing | | D21/562 |
| D931,383 S | | 9/2021 | Chen | | |
| D936,157 S | | 11/2021 | Lee | | |
| D936,757 S | * | 11/2021 | Cai | | D21/550 |
| D939,030 S | | 12/2021 | Ye | | |

| | | | | | |
|------------|---|---------|---------|-------|---------|
| D939,638 S | * | 12/2021 | Chen | | D21/548 |
| D940,253 S | * | 1/2022 | Bao | | D21/533 |
| D940,254 S | * | 1/2022 | Lin | | D21/548 |
| D943,681 S | * | 2/2022 | Barajas | | D21/548 |
| D944,334 S | * | 2/2022 | Hagler | | D21/548 |
| D952,051 S | * | 5/2022 | Xu | | D21/550 |
| D952,052 S | * | 5/2022 | Xu | | D21/550 |

(Continued)

OTHER PUBLICATIONS

WLToys, GooIRC RC Car, Dec. 31, 2021, amazon.com, retrieved Sep. 29, 2022, https://www.amazon.com/GooIRC-WLtoys-284131-RC-Car/dp/B09H45KVS2/ref=cm_cr_arp_d_pl_foot_top?ie=UTF8 (Year: 2021).*

(Continued)

Primary Examiner — Katherine A Holbrow

(74) *Attorney, Agent, or Firm* — Rumit Ranjit Kanakia

(57) **CLAIM**

The ornamental design for a toy car, as shown and described.

DESCRIPTION

FIG. 1 is a first perspective view of a toy car showing my new design;

FIG. 2 is a second perspective view thereof;

FIG. 3 is a front view thereof;

FIG. 4 is a back view thereof;

FIG. 5 is a left side view thereof;

FIG. 6 is a right side view thereof;

FIG. 7 is a top view thereof;

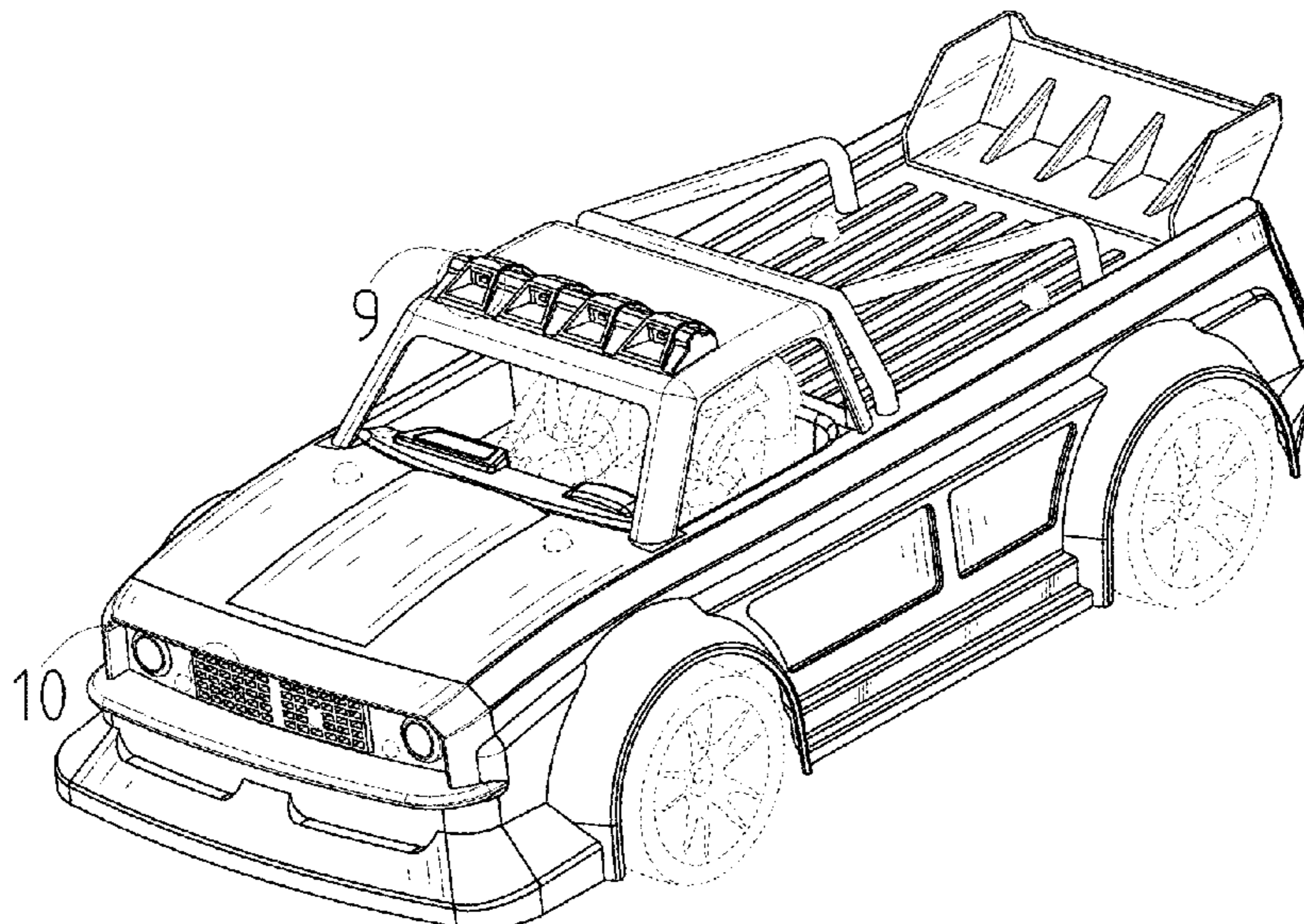
FIG. 8 is a bottom view thereof;

FIG. 9 is an enlarged view of the selected portion 9 in FIG. 1; and,

FIG. 10 is an enlarged view of the selected portion 10 in FIG. 1.

The broken lines shown in the drawings depict portions of the toy car that form no part of the claimed design.

1 Claim, 10 Drawing Sheets



(56)

References Cited

U.S. PATENT DOCUMENTS

D952,054 S * 5/2022 Xu D21/552
2016/0038846 A1* 2/2016 Colquhoun A63H 17/262
446/465
2018/0333649 A1* 11/2018 Mucaro A63H 17/262

OTHER PUBLICATIONS

The RcSaylor's, Ramping, youtube.com, Aug. 22, 2018, retrieved
Sep. 29, 2022, The RcSaylor's, https://www.youtube.com/watch?v=g0WkKiF0x1Q&list=RDCMUCYWhRC3xtD_acDIZdr53huA&index=1 (Year: 2018).*

* cited by examiner

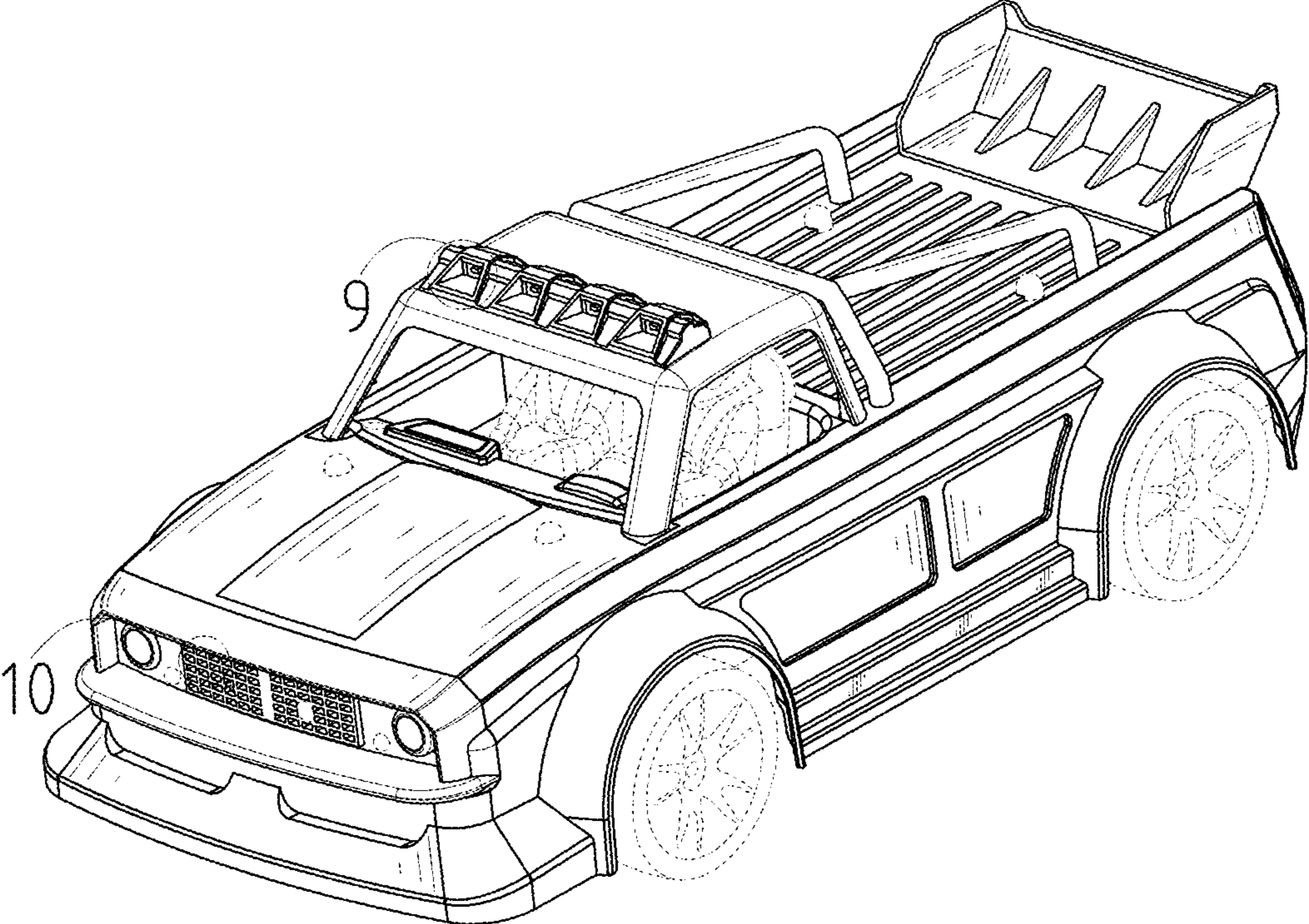


FIG. 1

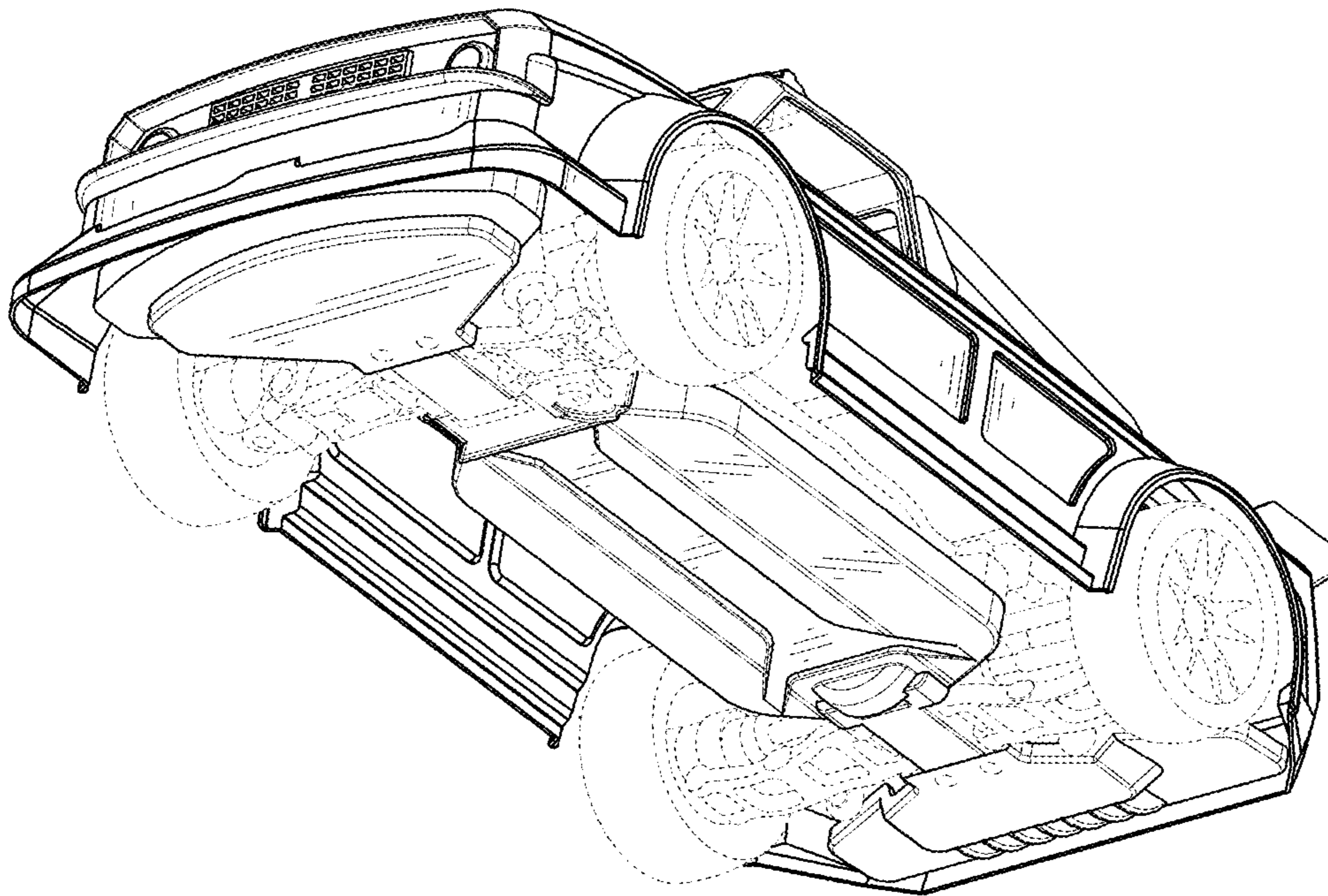


FIG. 2

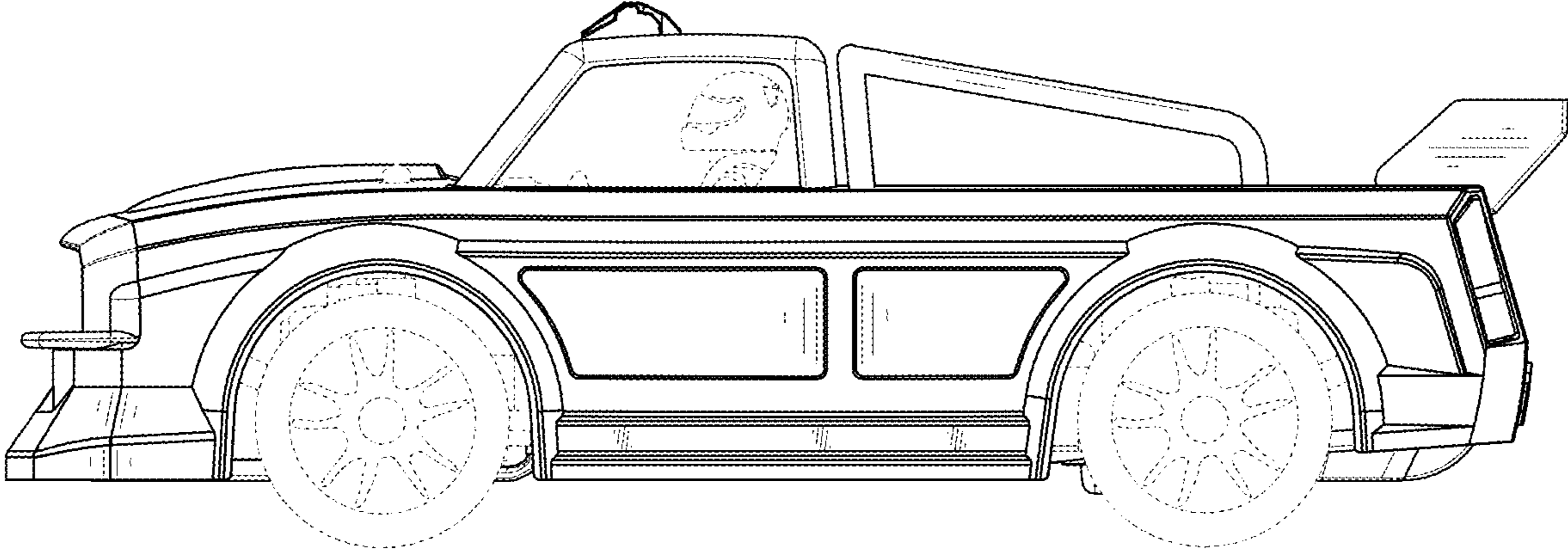


FIG. 3

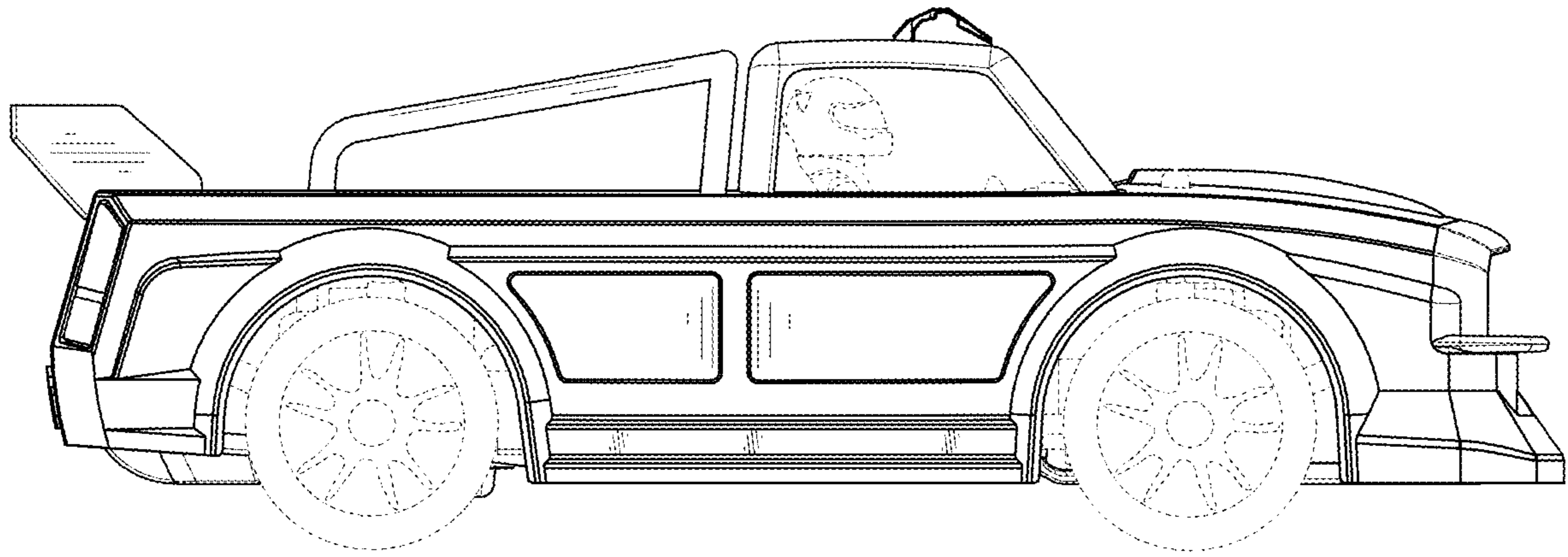


FIG. 4

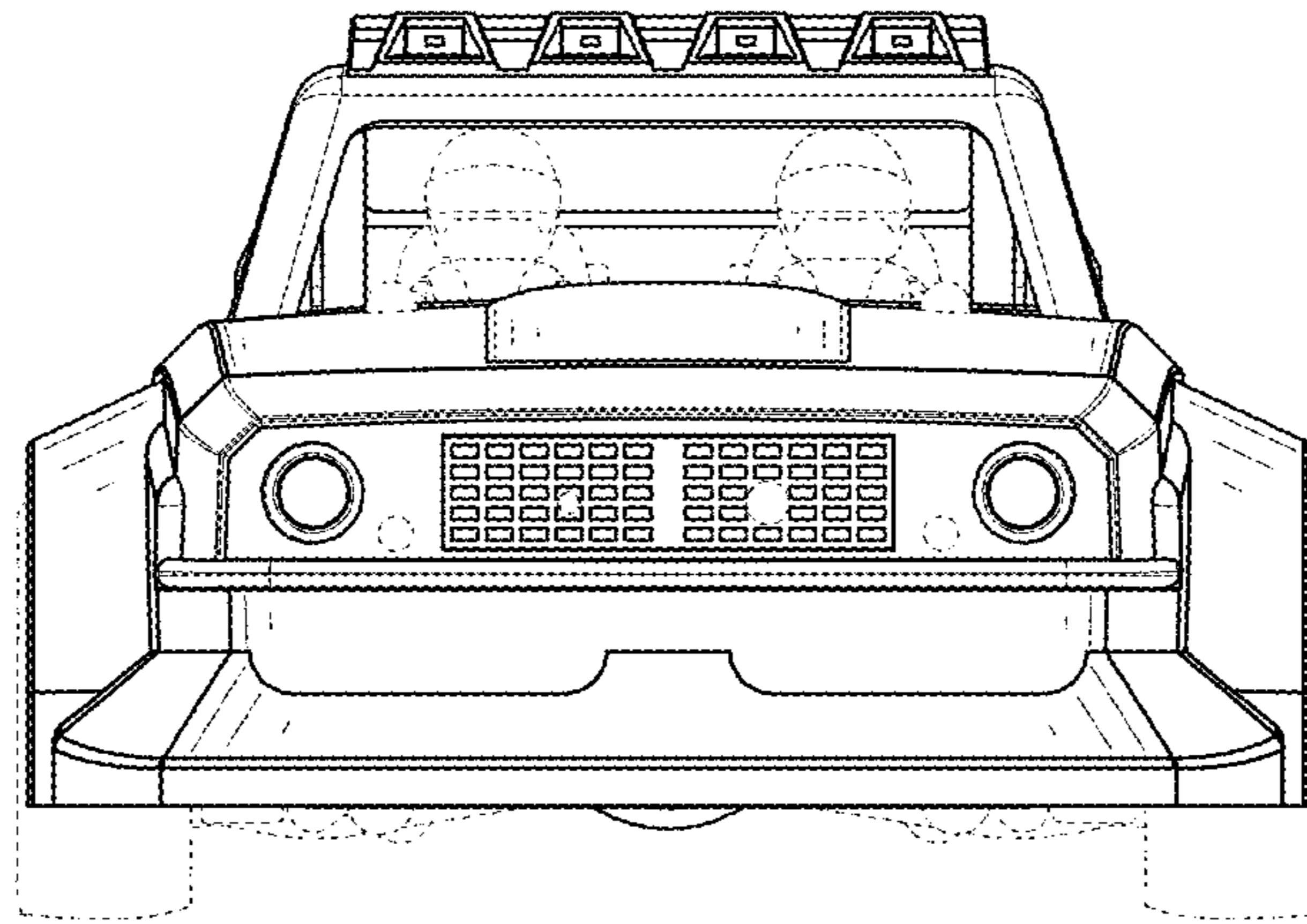


FIG. 5

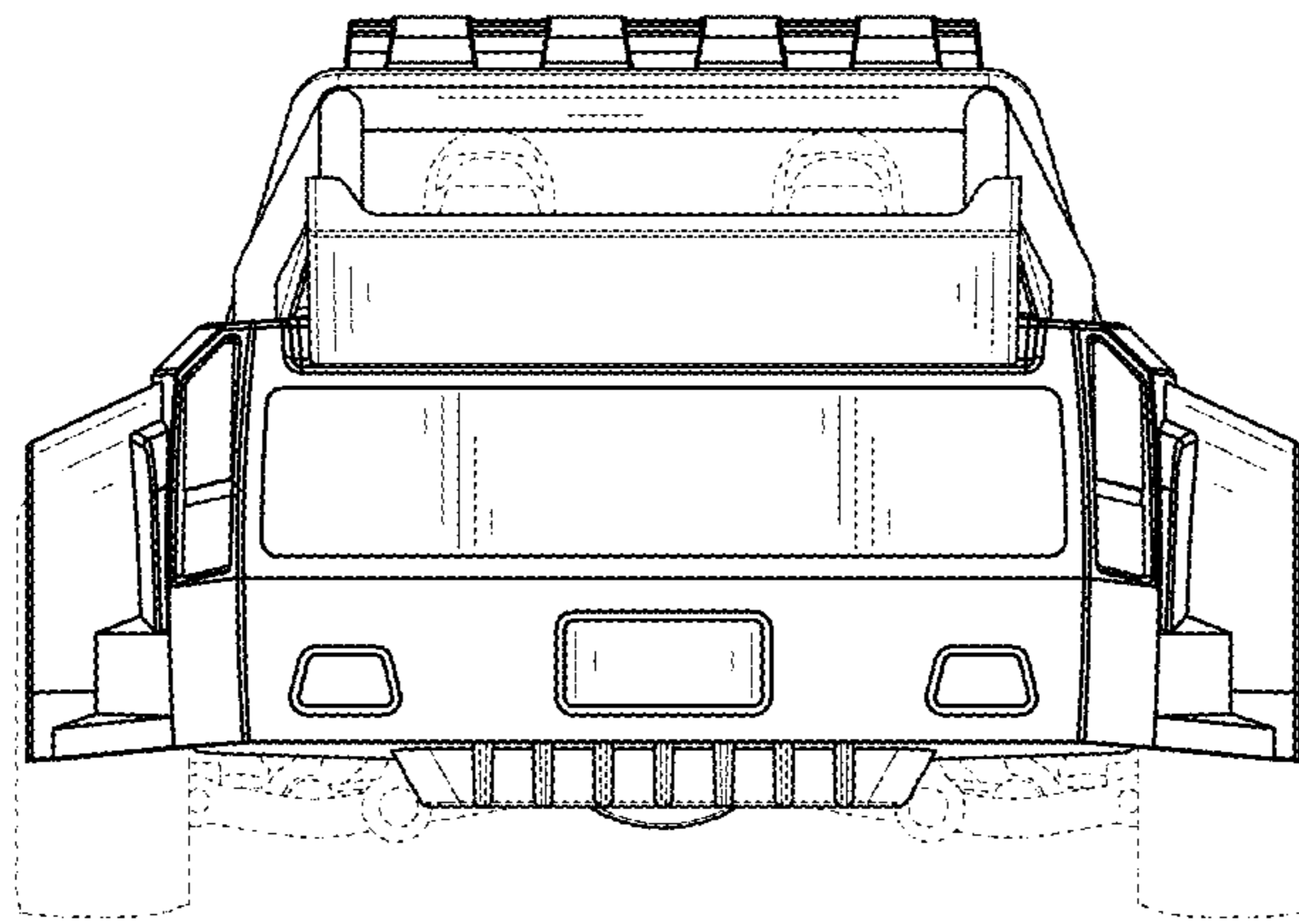


FIG. 6

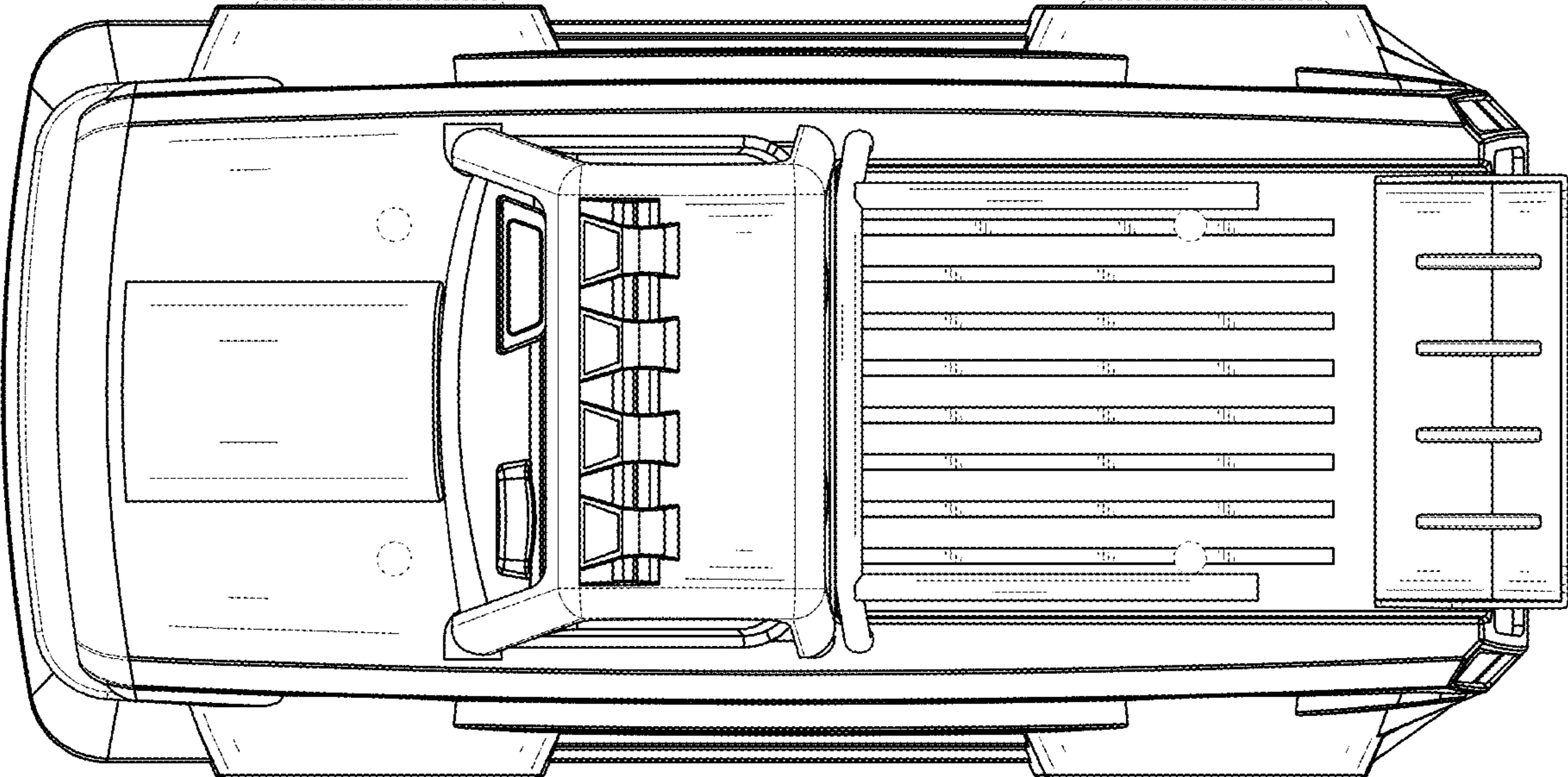


FIG. 7

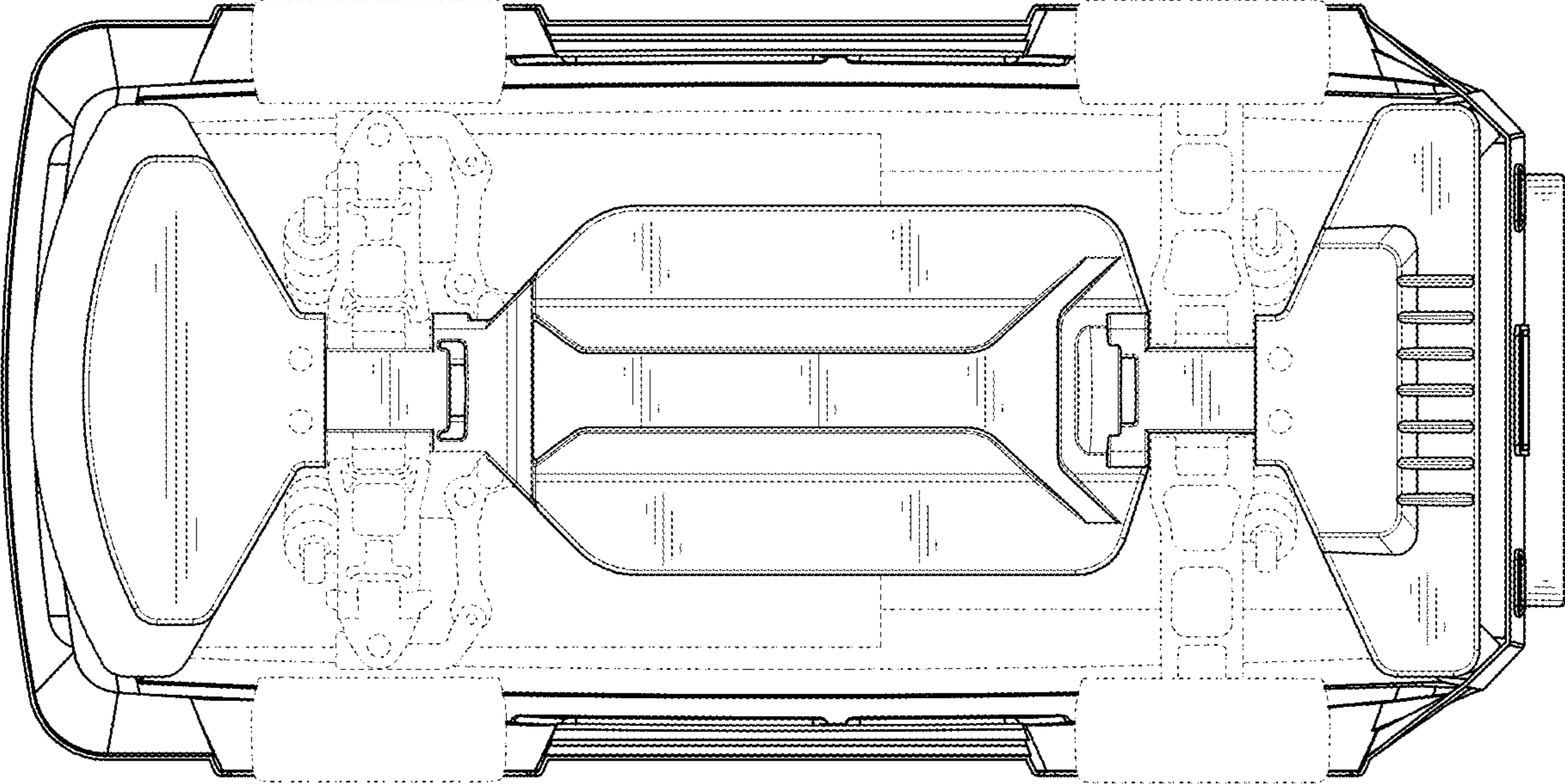


FIG. 8

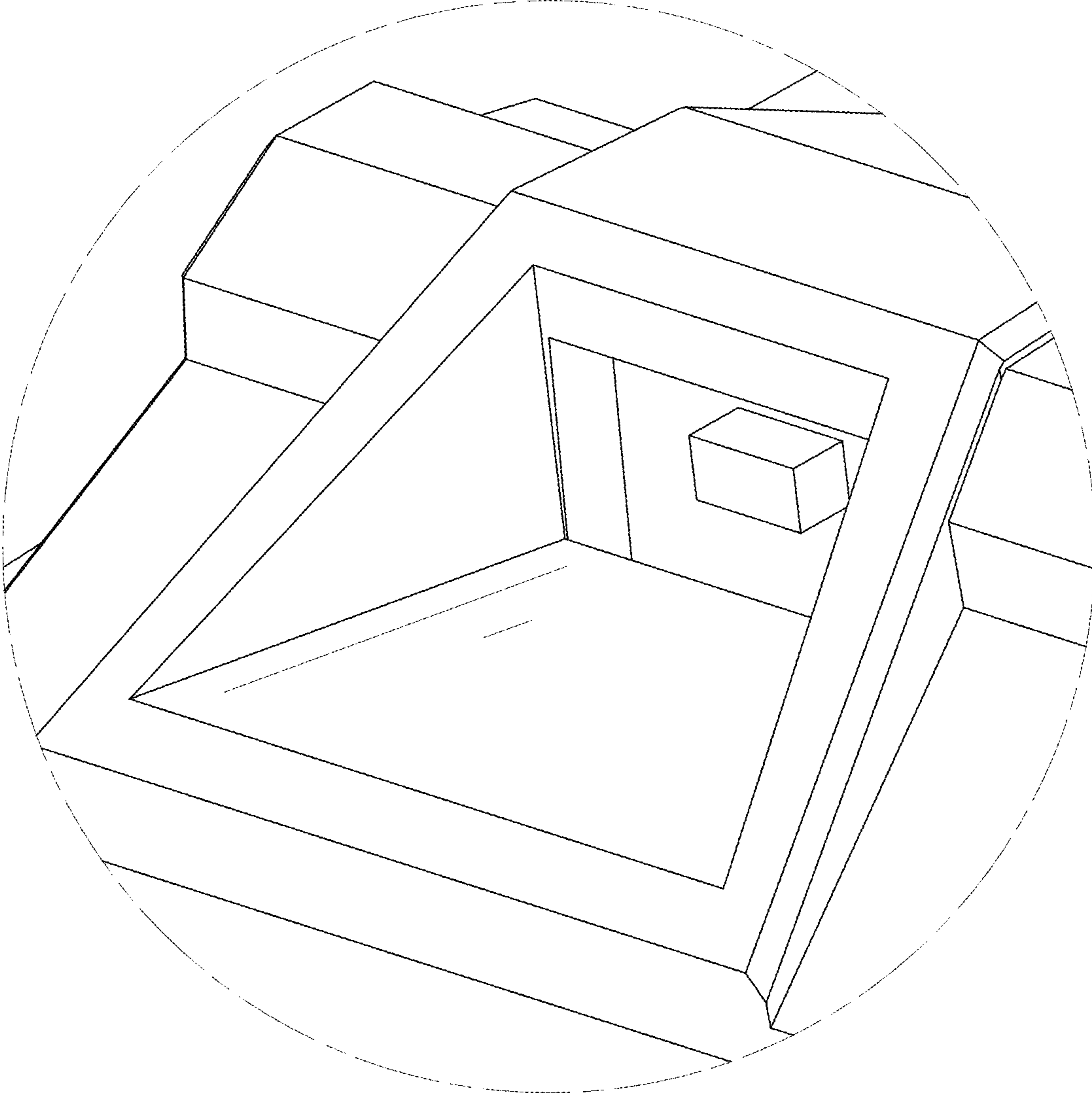


FIG. 9

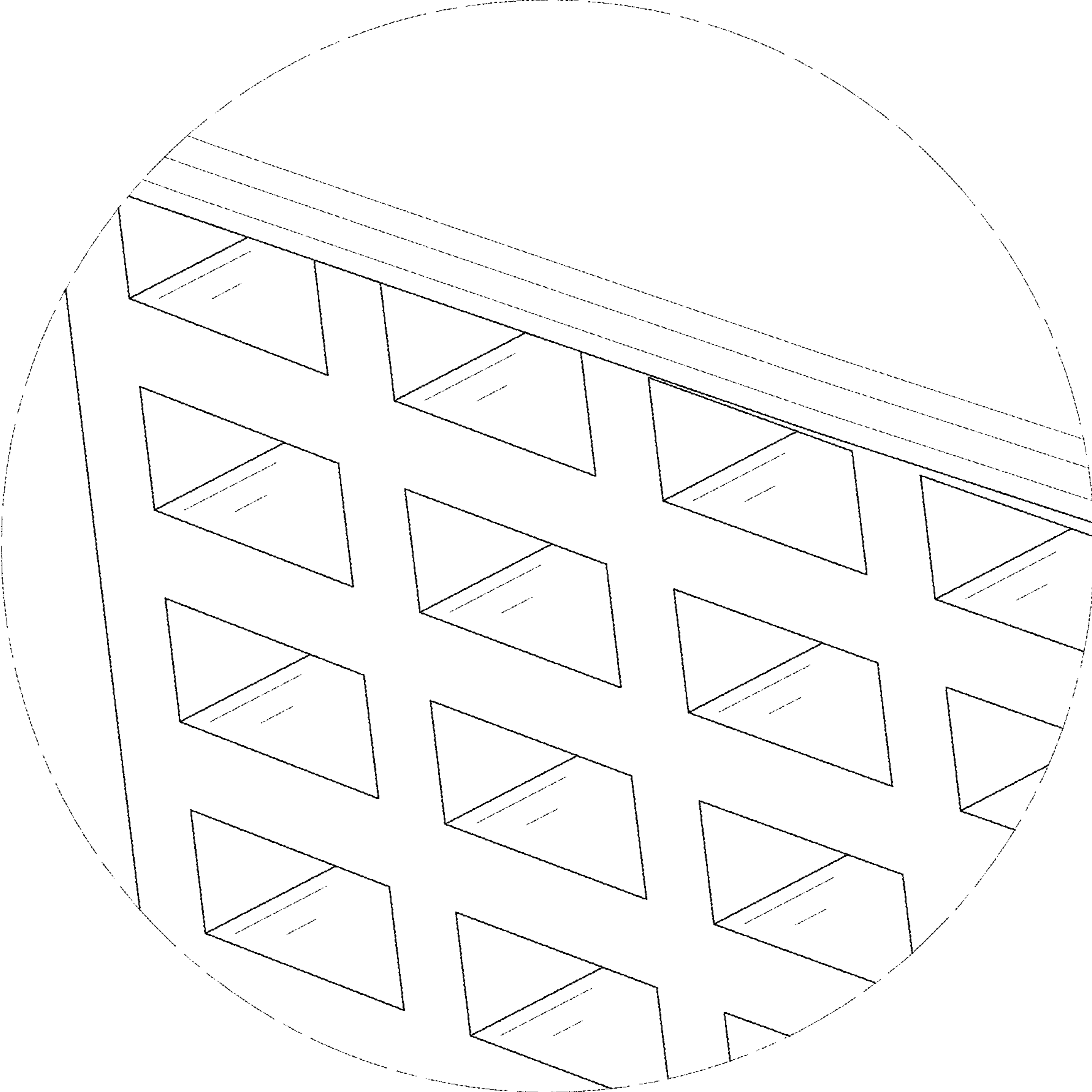


FIG. 10