

US00D975201S

(12) **United States Design Patent**
Xu

(10) **Patent No.:** **US D975,201 S**
(45) **Date of Patent:** **** Jan. 10, 2023**

(54) **TOY CAR**

(71) Applicant: **SHANTOU CITY CHENGHAI
JINGWEI INDUSTRIAL CO., LTD.,**
Shantou (CN)

(72) Inventor: **Yutao Xu**, Shantou (CN)

(**) Term: **15 Years**

(21) Appl. No.: **29/837,541**

(22) Filed: **May 6, 2022**

(30) **Foreign Application Priority Data**

Dec. 10, 2021 (CN) 202130818208.5

(51) **LOC (14) Cl.** **21-01**

(52) **U.S. Cl.**
USPC **D21/549; D21/548; D21/533**

(58) **Field of Classification Search**
USPC D21/533, 548-552, 557-561
CPC A63H 17/262; A63H 17/26; A63H 17/00;
A63H 17/004; A63H 17/045; A63H
17/05; A63H 30/00
See application file for complete search history.

(56) **References Cited**

U.S. PATENT DOCUMENTS

D281,000 S *	10/1985	Kuna	D21/559
D425,141 S *	5/2000	Park	D21/550
D802,685 S *	11/2017	Barajas	D21/562
D871,512 S *	12/2019	Cai	D21/550
D879,212 S *	3/2020	Barajas	D21/562
D897,452 S *	9/2020	Lin	D21/552
D897,453 S *	9/2020	Zhang	D21/550
D904,531 S *	12/2020	Barajas	D21/562
D930,760 S *	9/2021	Ewing	D21/562
D931,383 S	9/2021	Chen		
D936,157 S	11/2021	Lee		
D936,757 S *	11/2021	Cai	D21/550

D939,030 S	12/2021	Ye		
D939,638 S *	12/2021	Chen	D21/548
D940,253 S *	1/2022	Bao	D21/533
D940,254 S *	1/2022	Lin	D21/548
D943,681 S *	2/2022	Barajas	D21/548
D944,334 S *	2/2022	Hagler	D21/548
D952,051 S *	5/2022	Xu	D21/550
D952,052 S *	5/2022	Xu	D21/550
D952,054 S *	5/2022	Xu	D21/552

(Continued)

OTHER PUBLICATIONS

WLToys, GooIRC RC Car, Dec. 31, 2021, amazon.com, retrieved Sep. 29, 2022, https://www.amazon.com/GooIRC-WLtoys-284131-RC-Car/dp/B09H45KVS2/ref=cm_cr_arp_d_pl_foot_top?ie=UTF8 (Year: 2021).*

(Continued)

Primary Examiner — Katherine A Holbrow

(74) *Attorney, Agent, or Firm* — Rमित Ranjit Kanakia

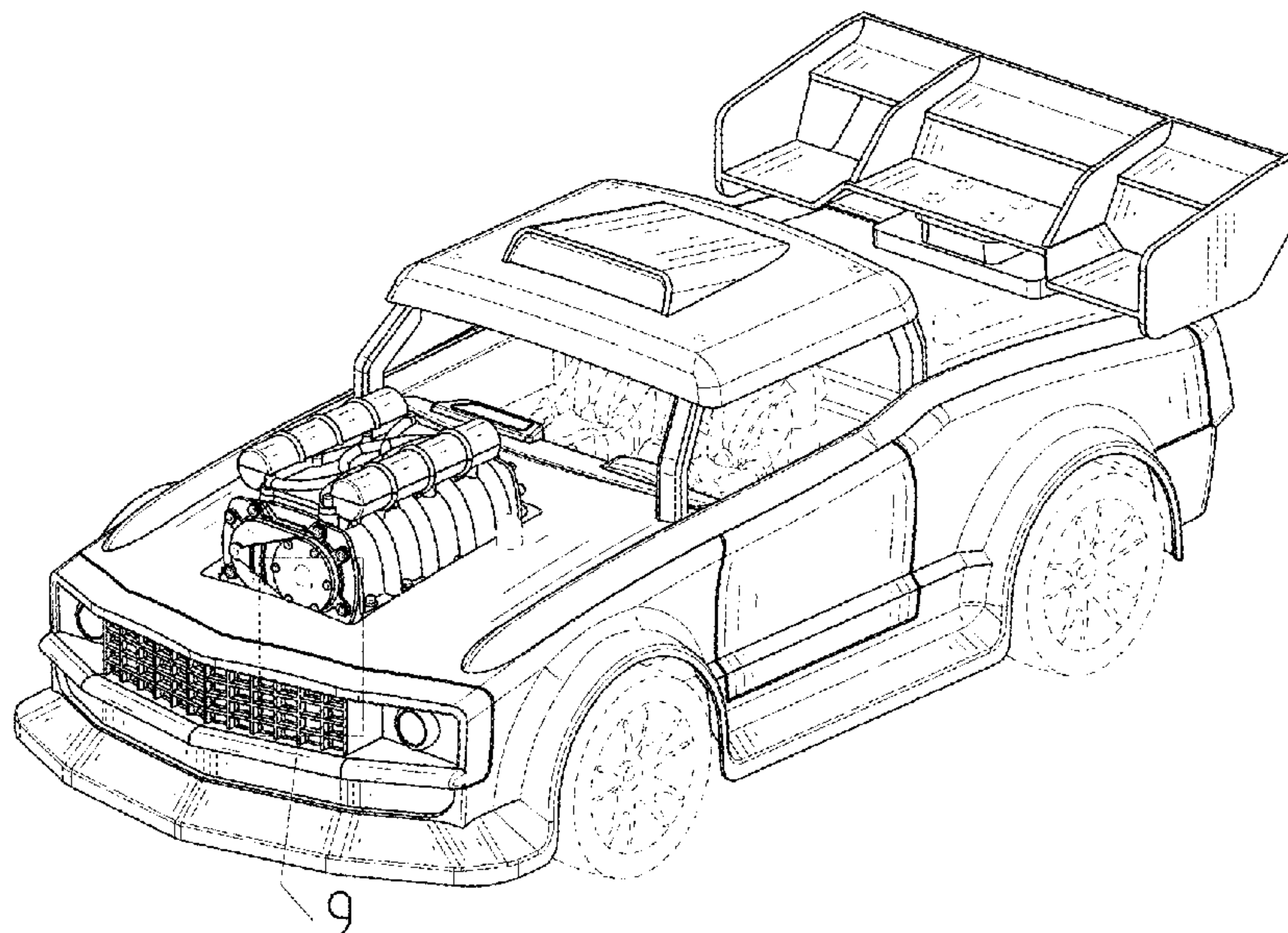
(57) **CLAIM**

The ornamental design for a toy car, as shown and described.

DESCRIPTION

FIG. 1 is a first perspective view of a toy car showing my new design;
FIG. 2 is a second perspective view thereof;
FIG. 3 is a front view thereof;
FIG. 4 is a back view thereof;
FIG. 5 is a left side view thereof;
FIG. 6 is a right side view thereof;
FIG. 7 is a top view thereof;
FIG. 8 is a bottom view thereof; and,
FIG. 9 is an enlarged view of the selected portion 9 in FIG. 1.
The broken lines shown in the drawings depict portions of the toy car that form no part of the claimed design.

1 Claim, 9 Drawing Sheets



(56)

References Cited

U.S. PATENT DOCUMENTS

2016/0038846 A1* 2/2016 Colquhoun A63H 17/262
446/465
2018/0333649 A1* 11/2018 Mucaro A63H 17/262

OTHER PUBLICATIONS

The RcSaylor, Ramping, youtube.com, Aug. 22, 2018, retrieved
Sep. 29, 2022, The RcSaylor, https://www.youtube.com/watch?v=g0WkKiFoxIQ&list=RDCMUCYWhRC3xtD_acDIZdr53huA&index=1 (Year: 2018).*

* cited by examiner

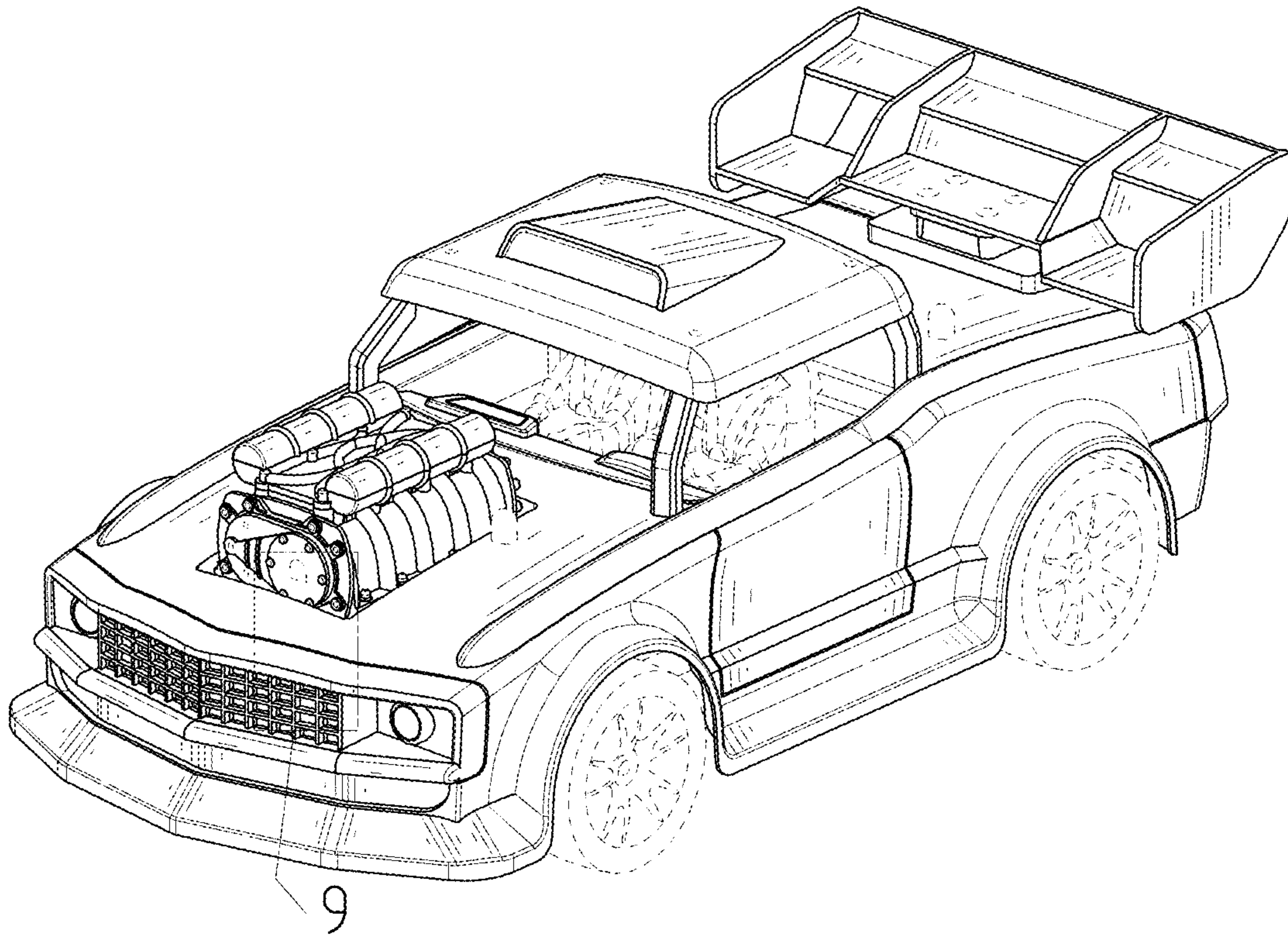


FIG. 1

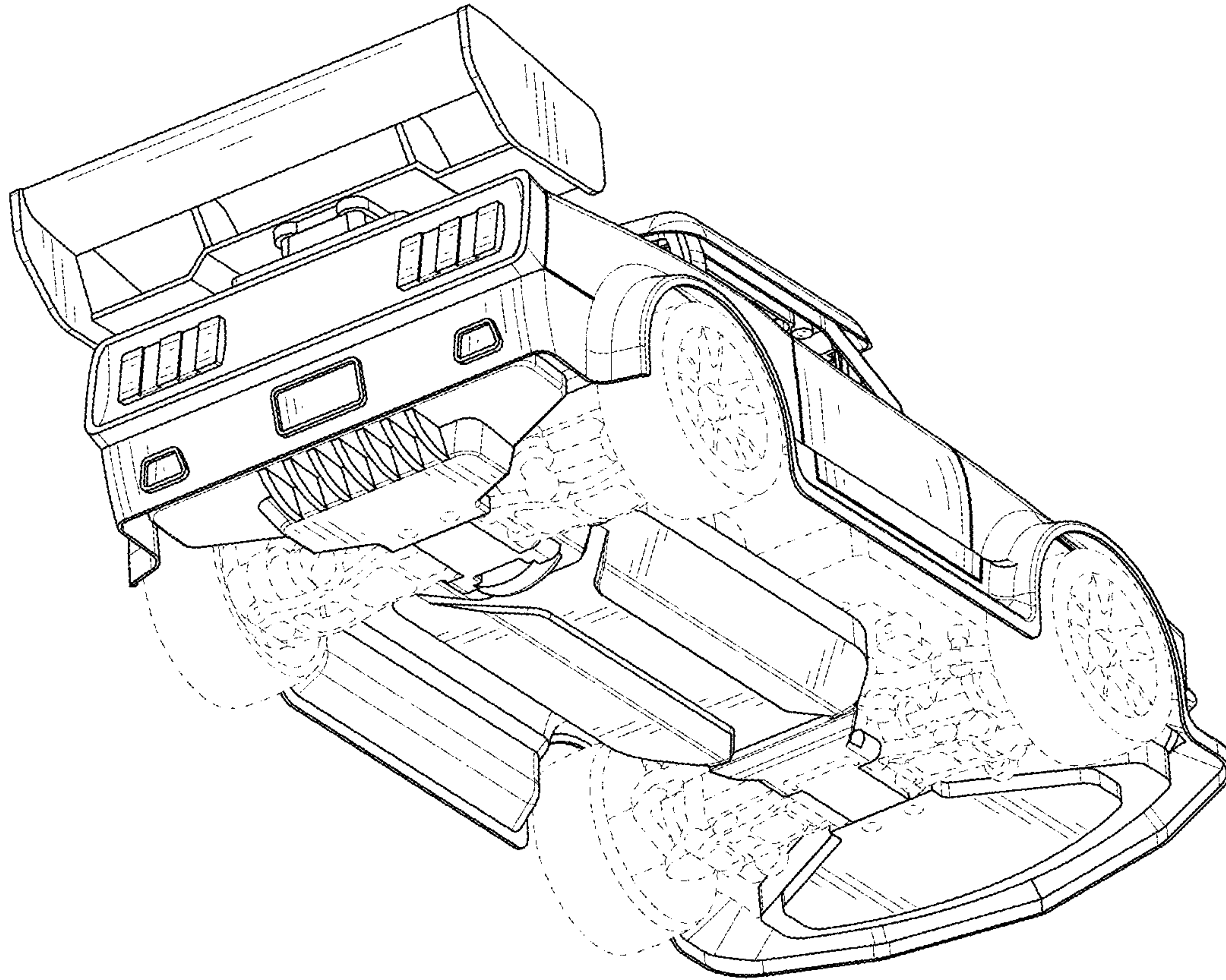


FIG. 2

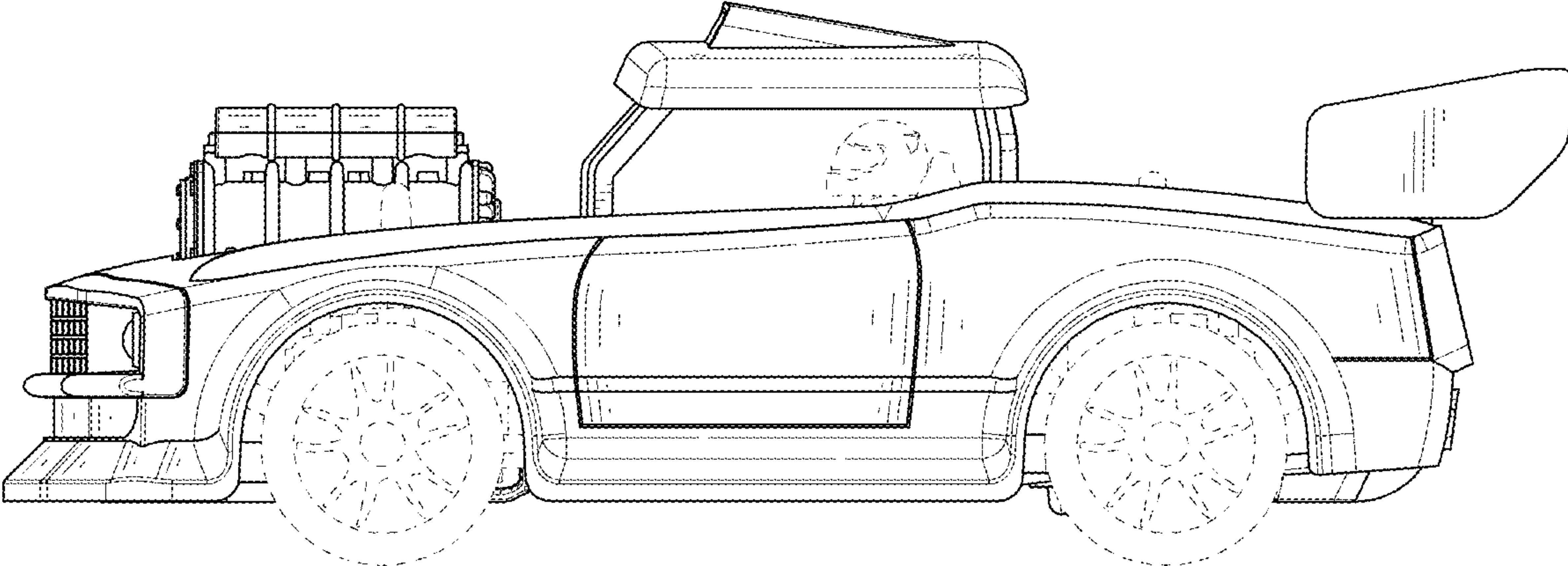


FIG. 3

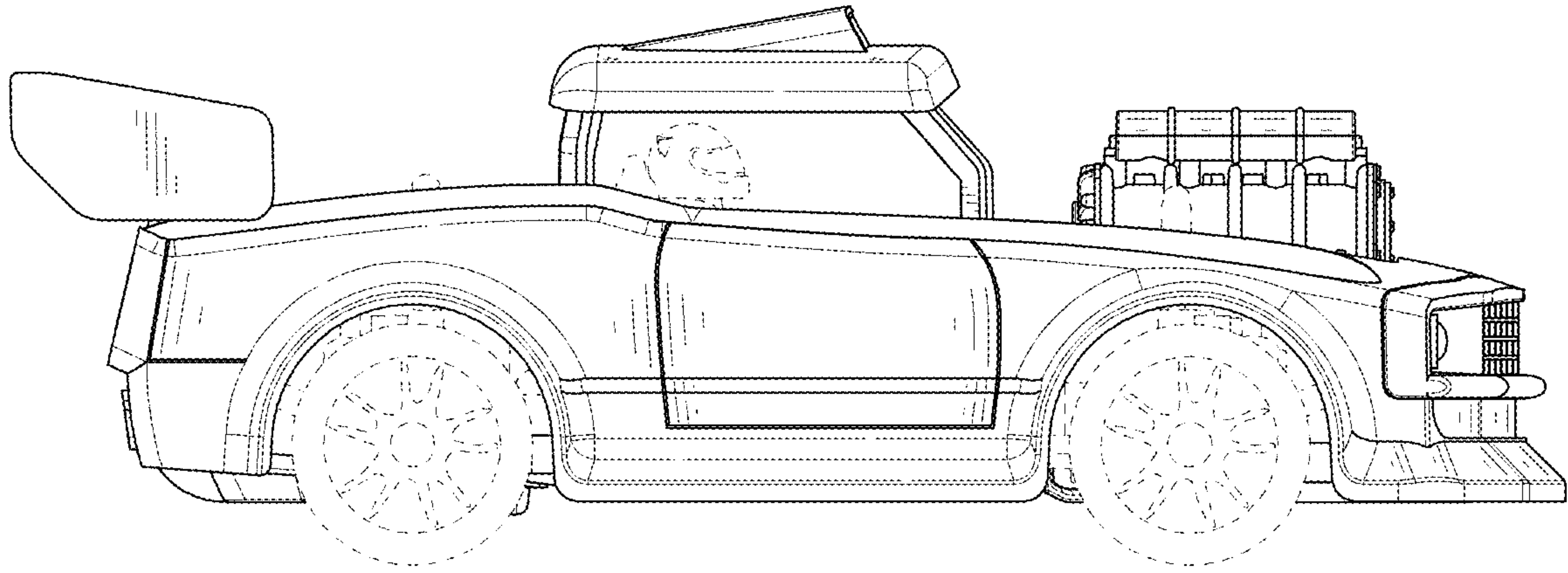


FIG. 4

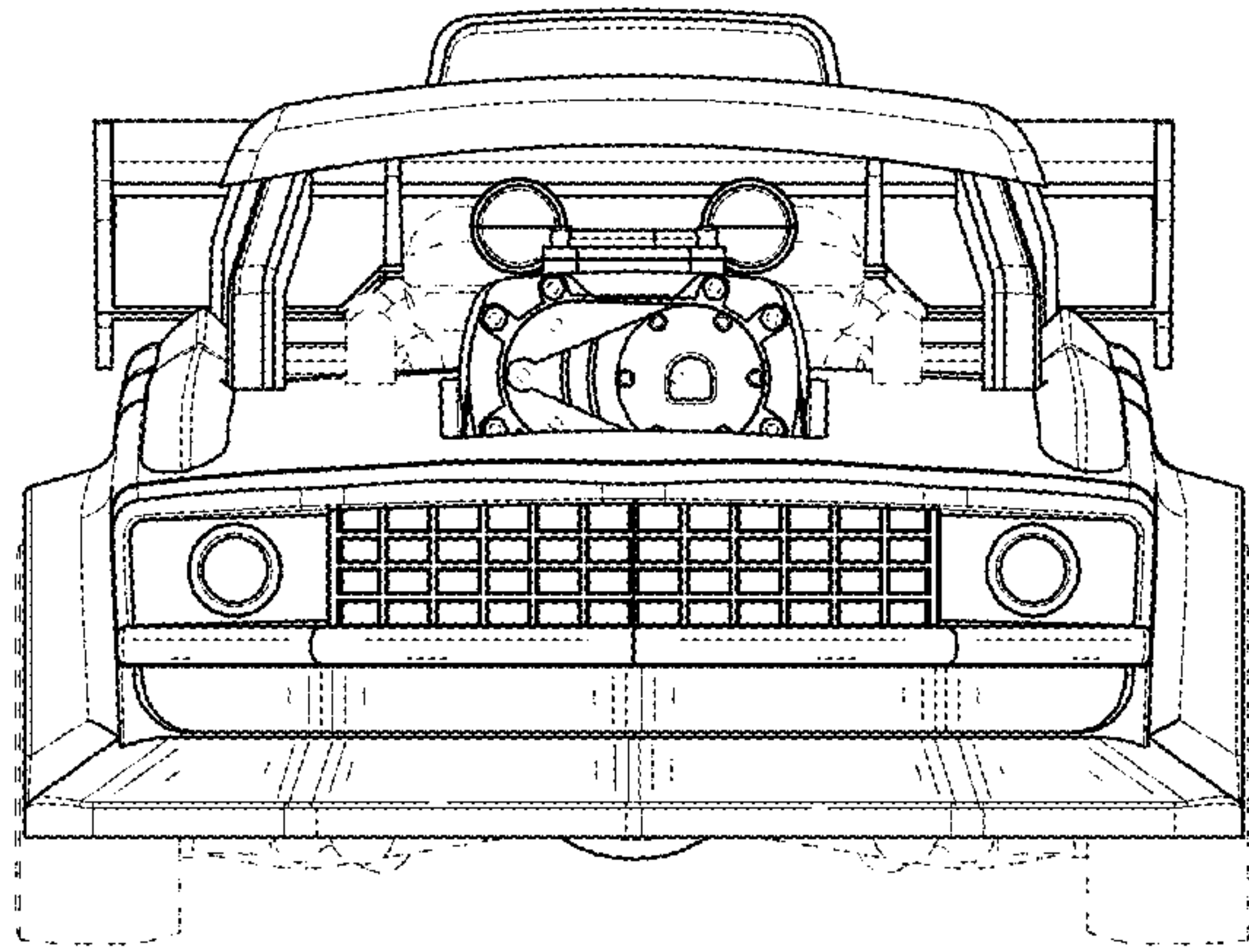


FIG. 5

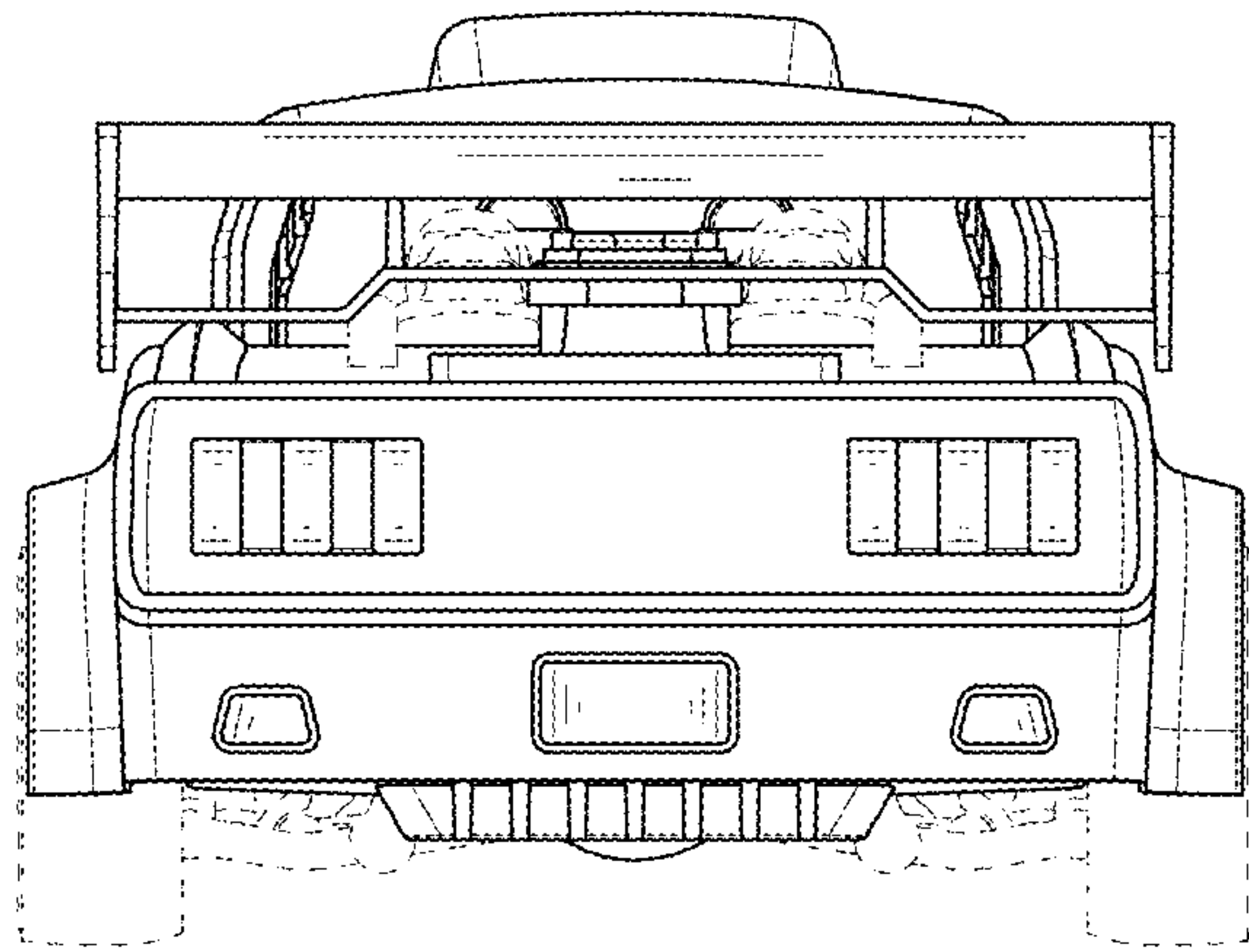


FIG. 6

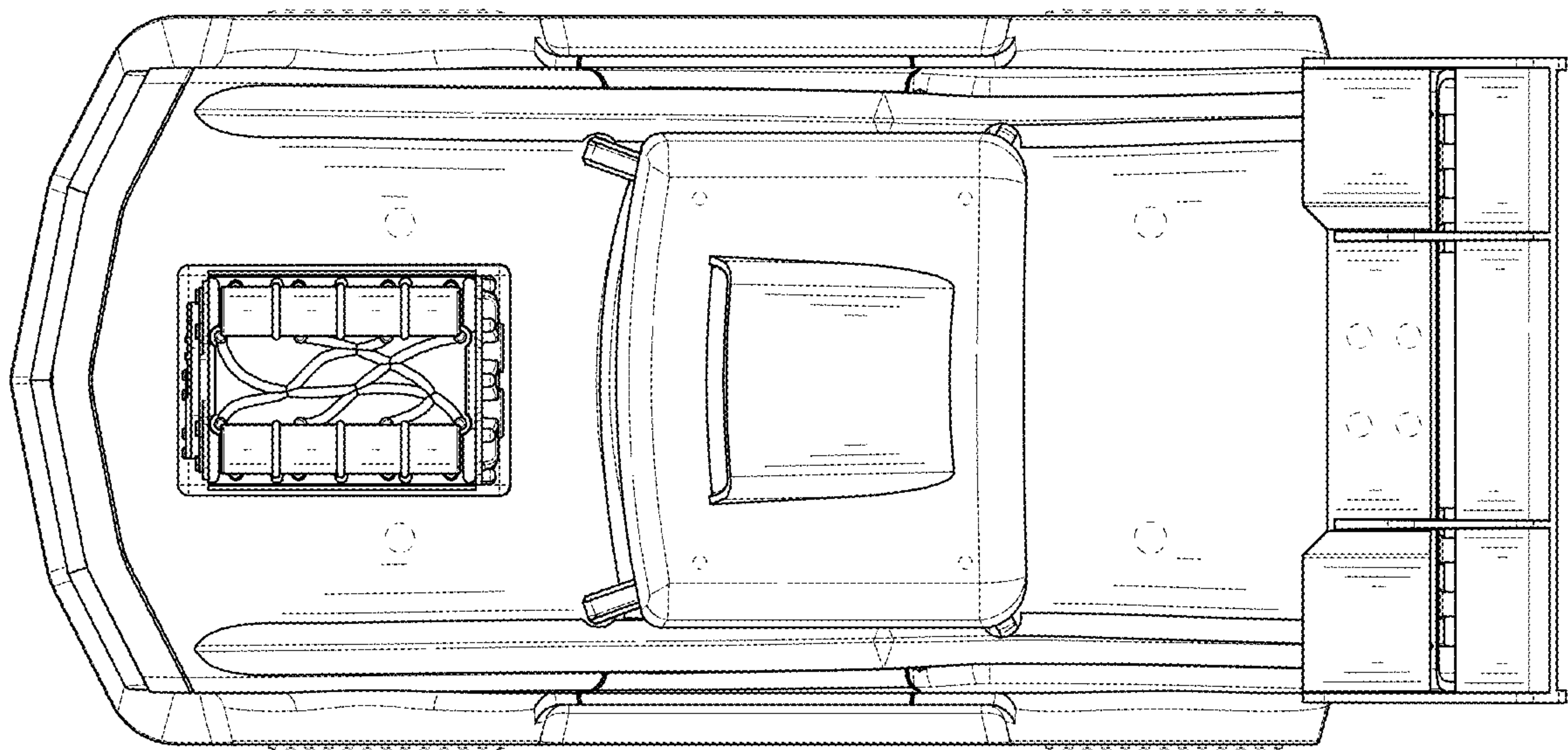


FIG. 7

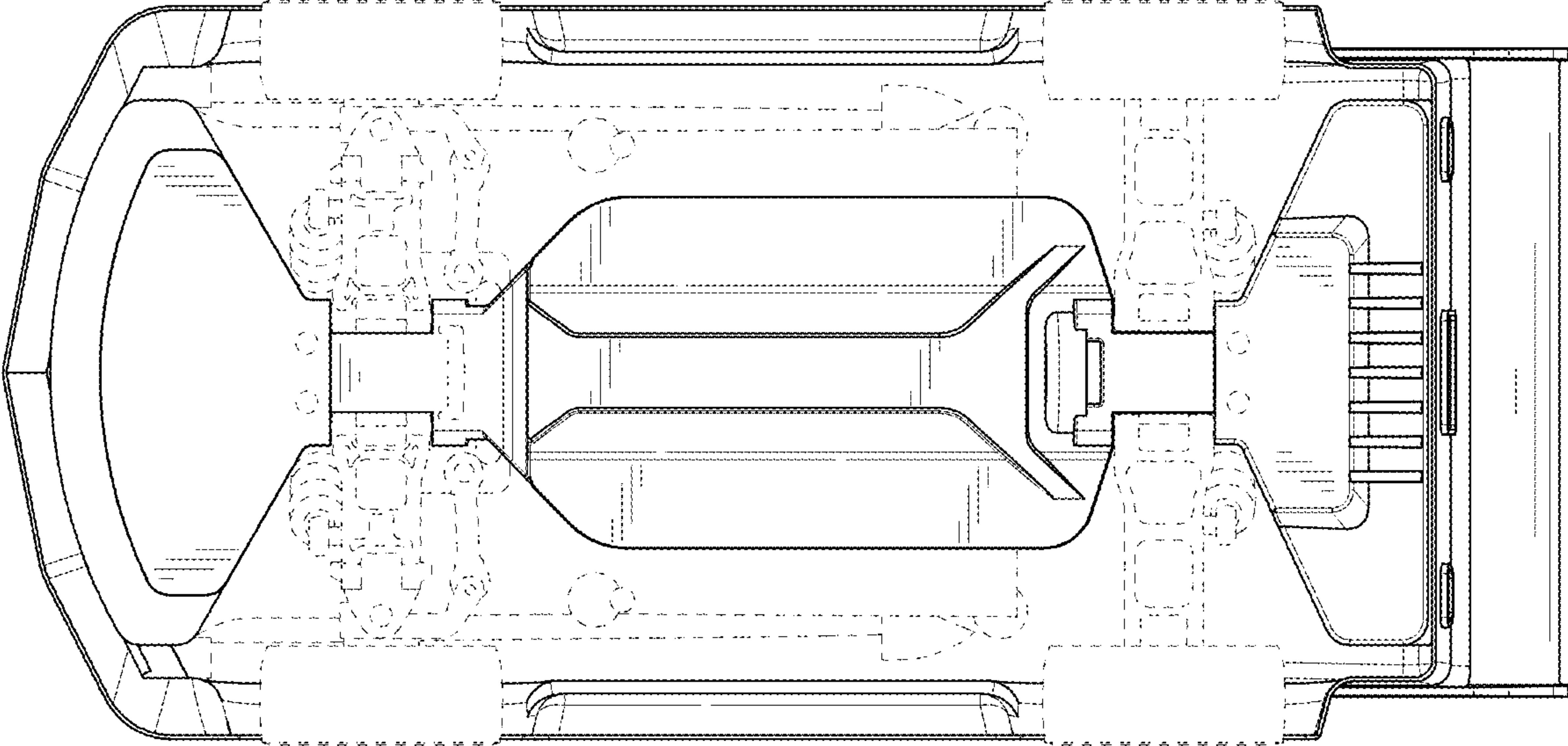


FIG. 8

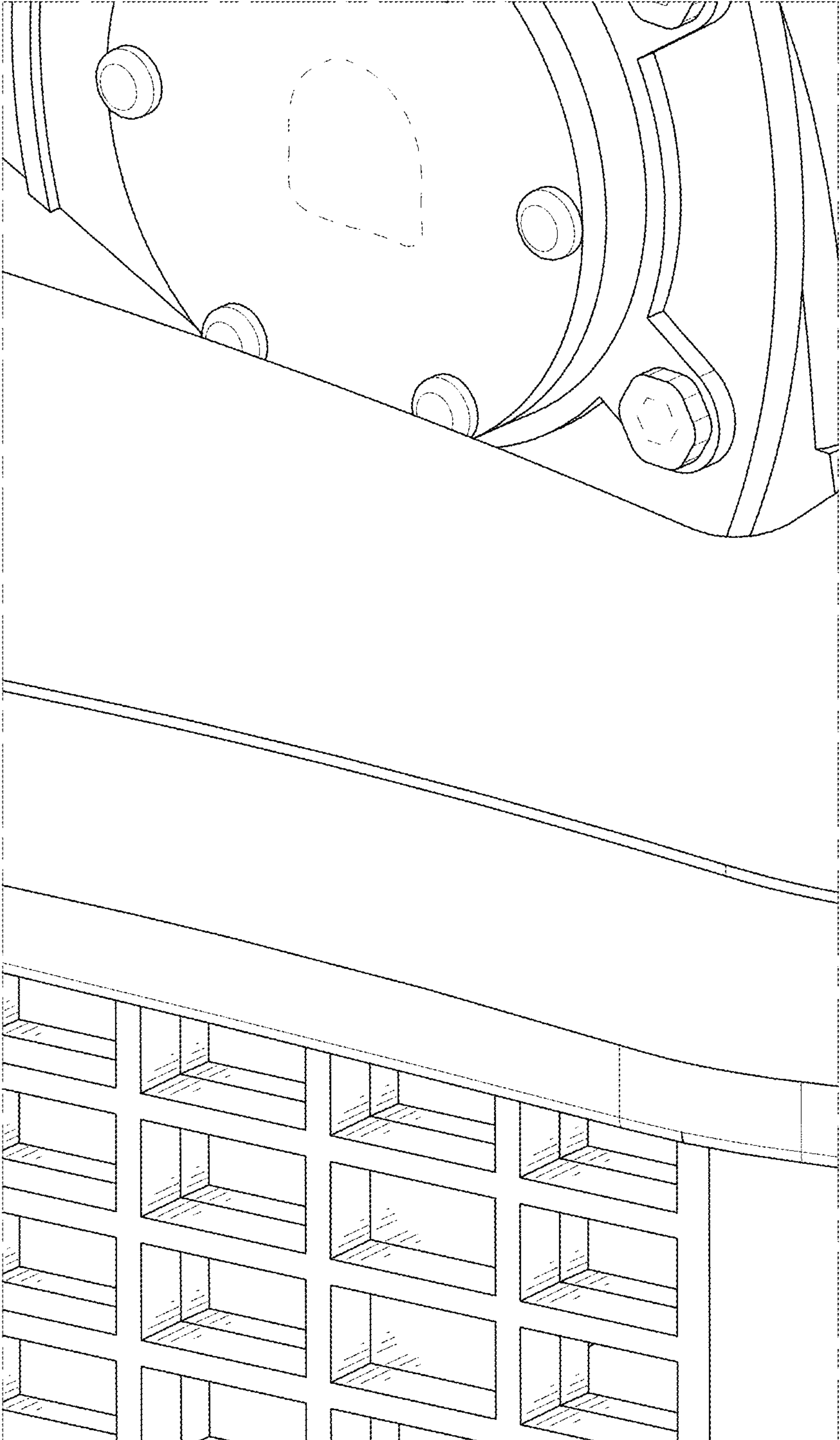


FIG. 9