



US00D975199S

(12) **United States Design Patent** (10) **Patent No.:** **US D975,199 S**
Huang et al. (45) **Date of Patent:** **** Jan. 10, 2023**

- (54) **TOY BRICK**
- (71) Applicants: **Zhi Huang**, Guangdong (CN);
Zhenjiang Qu, Guangdong (CN)
- (72) Inventors: **Zhi Huang**, Guangdong (CN);
Zhenjiang Qu, Guangdong (CN)
- (73) Assignee: **FOSHAN JIEPIN TOYS INDUSTRIAL CO., LTD.**, Foshan (CN)
- (**) Term: **15 Years**
- (21) Appl. No.: **29/835,881**
- (22) Filed: **Apr. 22, 2022**
- (51) **LOC (14) Cl.** **21-01**
- (52) **U.S. Cl.**
USPC **D21/500**
- (58) **Field of Classification Search**
USPC D21/484–505
CPC A63H 33/04; A63H 33/06; A63H 33/062;
A63H 33/08; A63H 33/082; A63H 33/084; A63H 33/086; A63H 33/088
See application file for complete search history.

(56) **References Cited**

U.S. PATENT DOCUMENTS

- D435,609 S * 12/2000 Sorensen D21/900
- 6,447,360 B1 * 9/2002 Sorensen A63H 33/062
446/124
- D465,246 S * 11/2002 Sorensen D21/499

- D470,196 S * 2/2003 Sorensen D21/499
- D545,920 S * 7/2007 Sorensen D21/484
- D545,921 S * 7/2007 Sorensen D21/484
- D546,901 S * 7/2007 Sorensen D21/484
- D621,883 S * 8/2010 Jou D21/814
- D699,792 S * 2/2014 Hwang D21/499
- D802,058 S * 11/2017 Ishaque D21/501
- D828,458 S * 9/2018 Dumphy D21/500
- D832,937 S * 11/2018 Dumphy D21/500
- D843,493 S * 3/2019 Dumphy D21/499
- D852,284 S * 6/2019 Zhang et al.
- D859,539 S * 9/2019 Dumphy D21/500
- 10,456,702 B2 * 10/2019 Dumphy A63H 33/08

* cited by examiner

Primary Examiner — Cynthia M. Chin

(74) *Attorney, Agent, or Firm* — Georgi Korobanov

(57) **CLAIM**

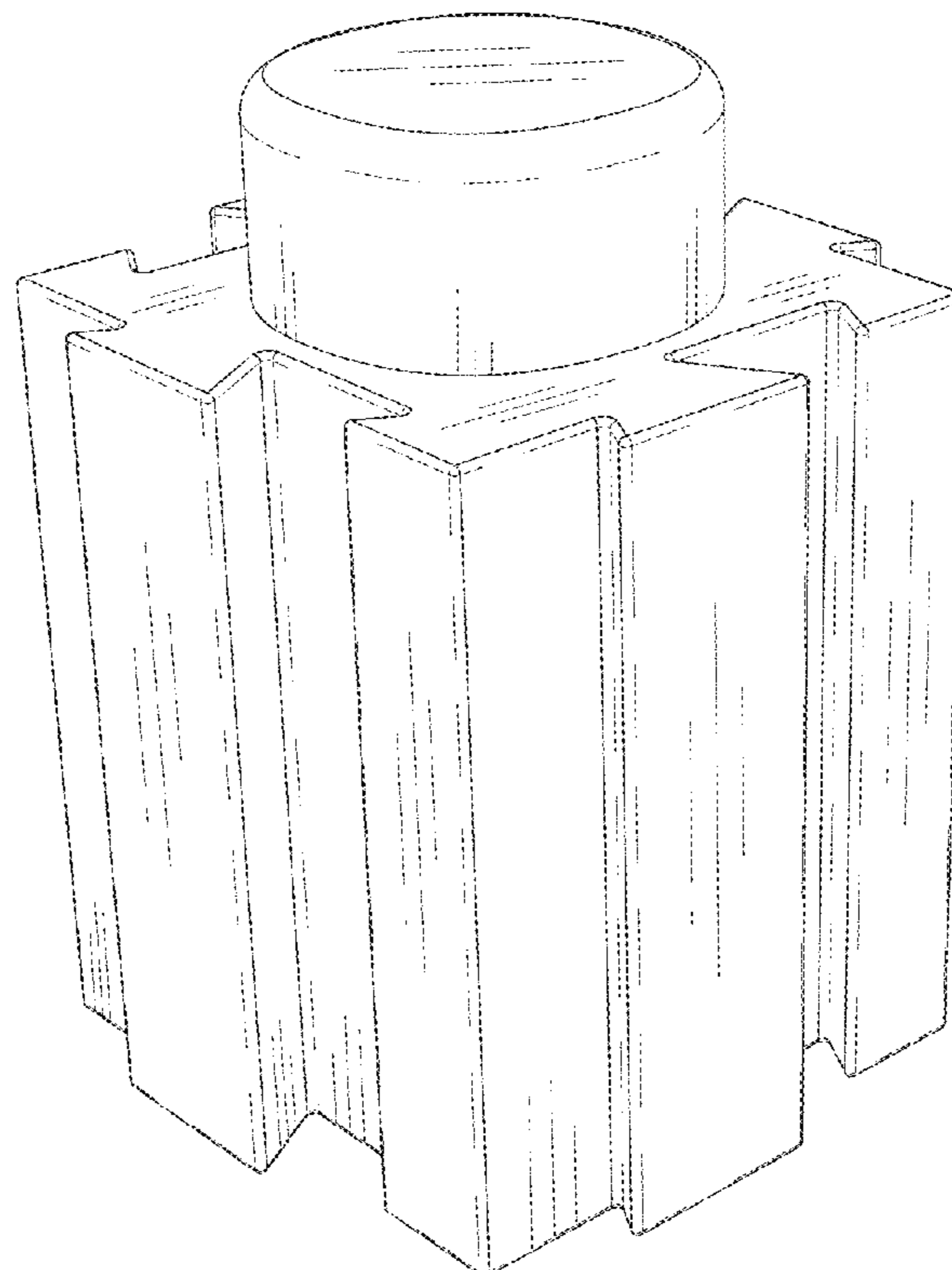
The ornamental design for a toy brick, as shown and described.

DESCRIPTION

FIG. 1 is a top, front, and left perspective view of a toy brick showing our new design;
 FIG. 2 is a front elevation view thereof;
 FIG. 3 is a rear elevation view thereof;
 FIG. 4 is a left side elevation view thereof;
 FIG. 5 is a right side elevation view thereof;
 FIG. 6 is a top plan view thereof; and,
 FIG. 7 is a bottom plan view thereof.

The broken lines in the drawings illustrate portions of the toy brick that form no part of the claimed design.

1 Claim, 7 Drawing Sheets



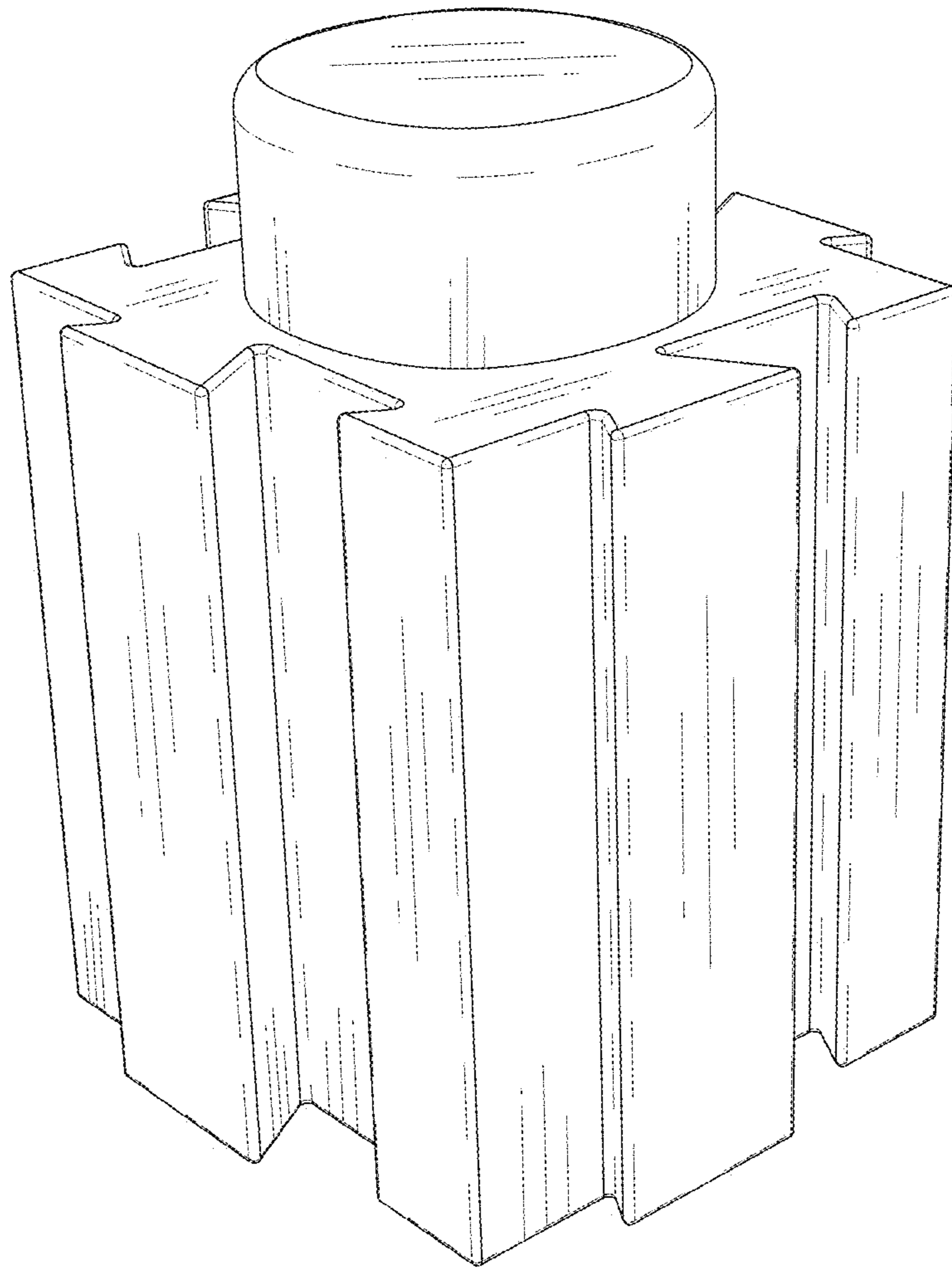


FIG. 1

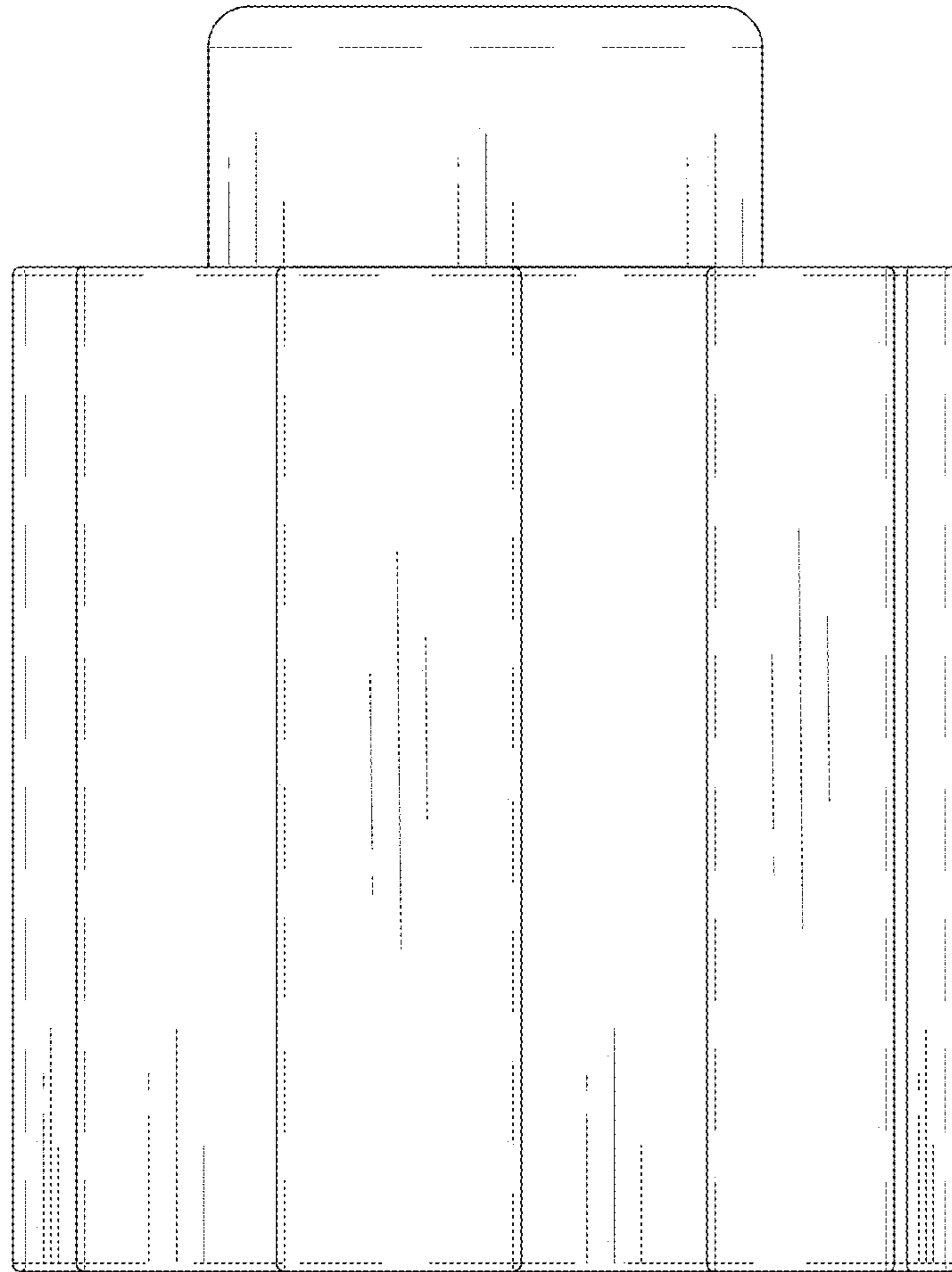


FIG. 2

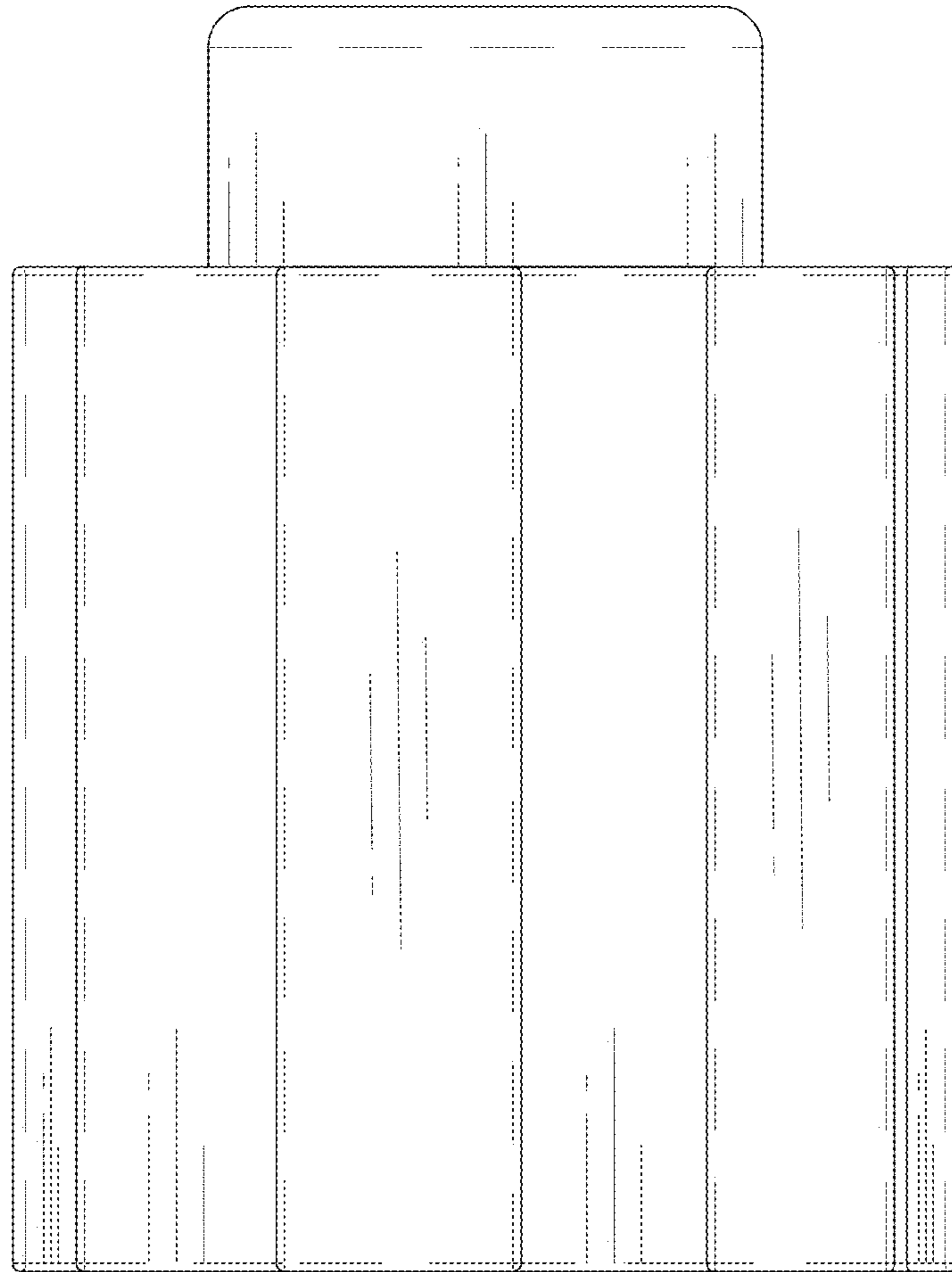


FIG. 3

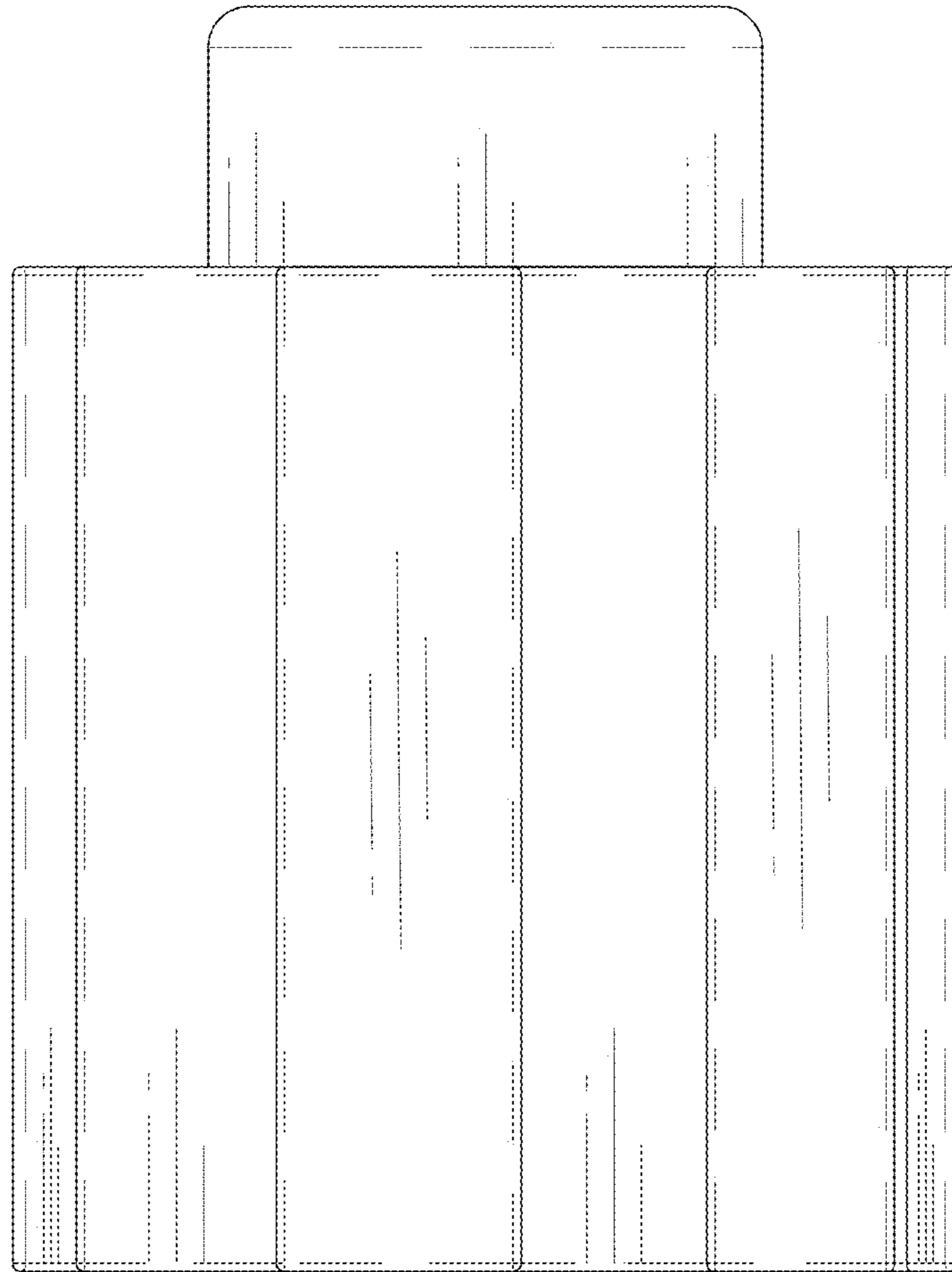


FIG. 4

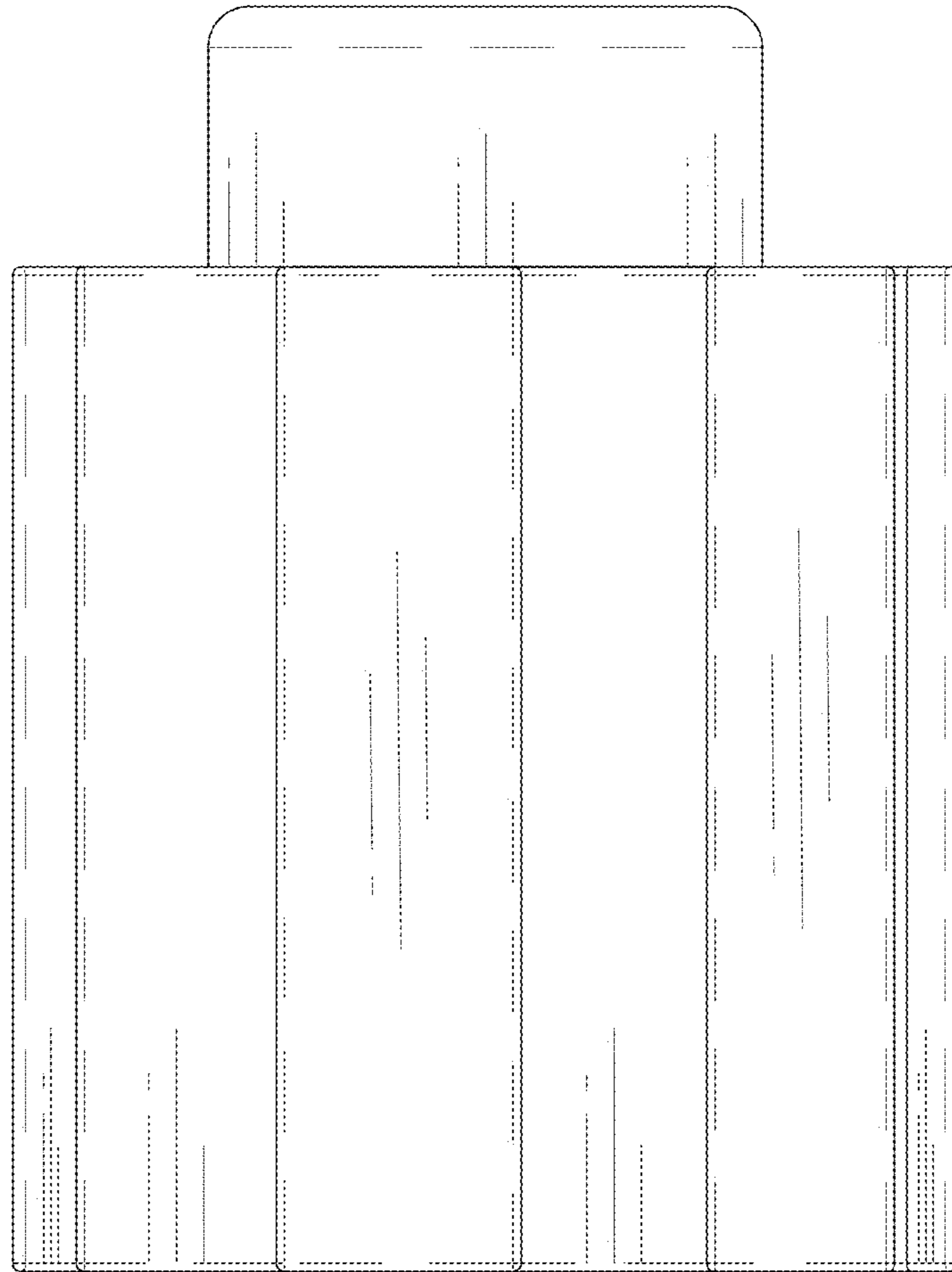


FIG. 5

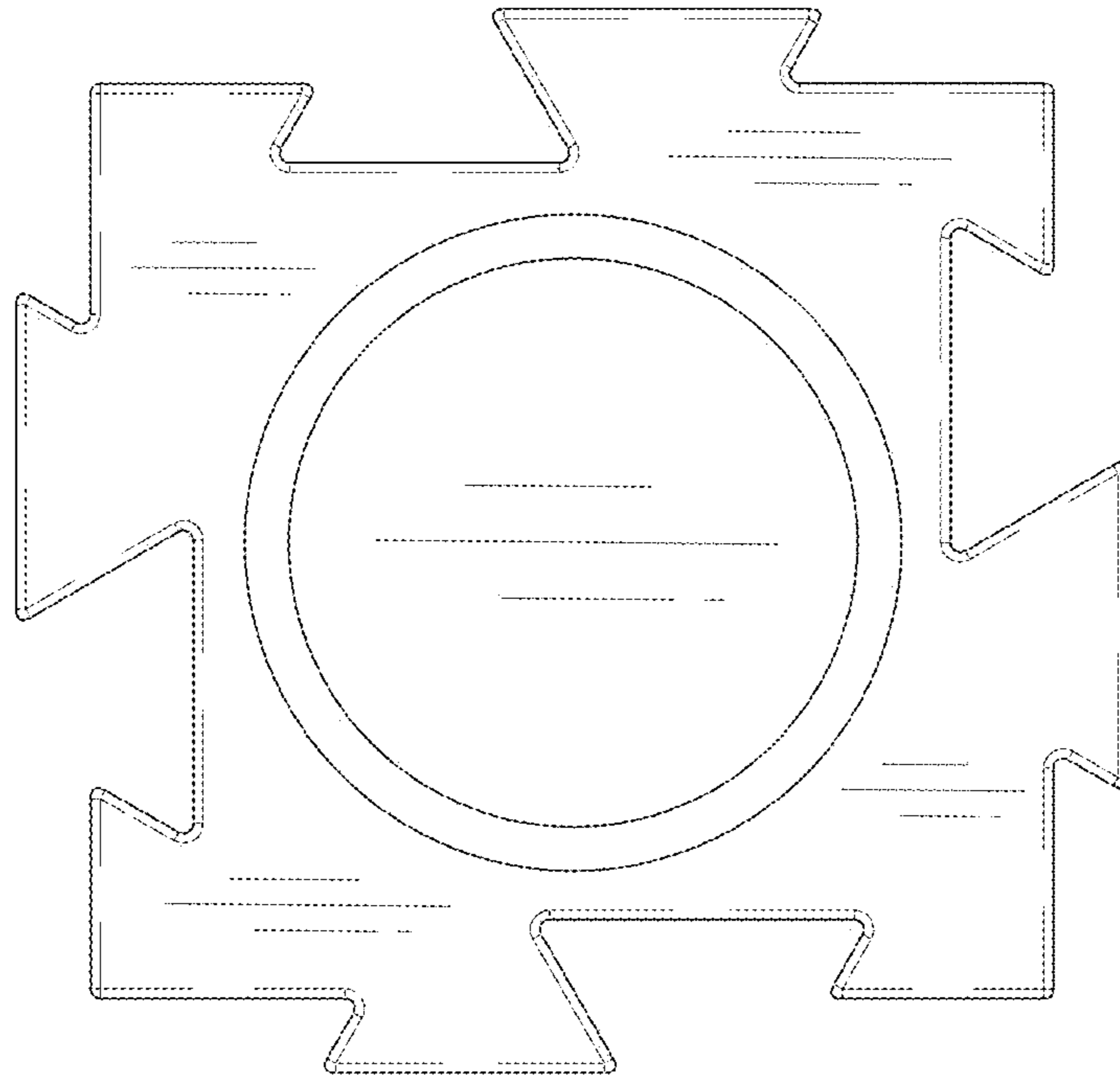


FIG. 6

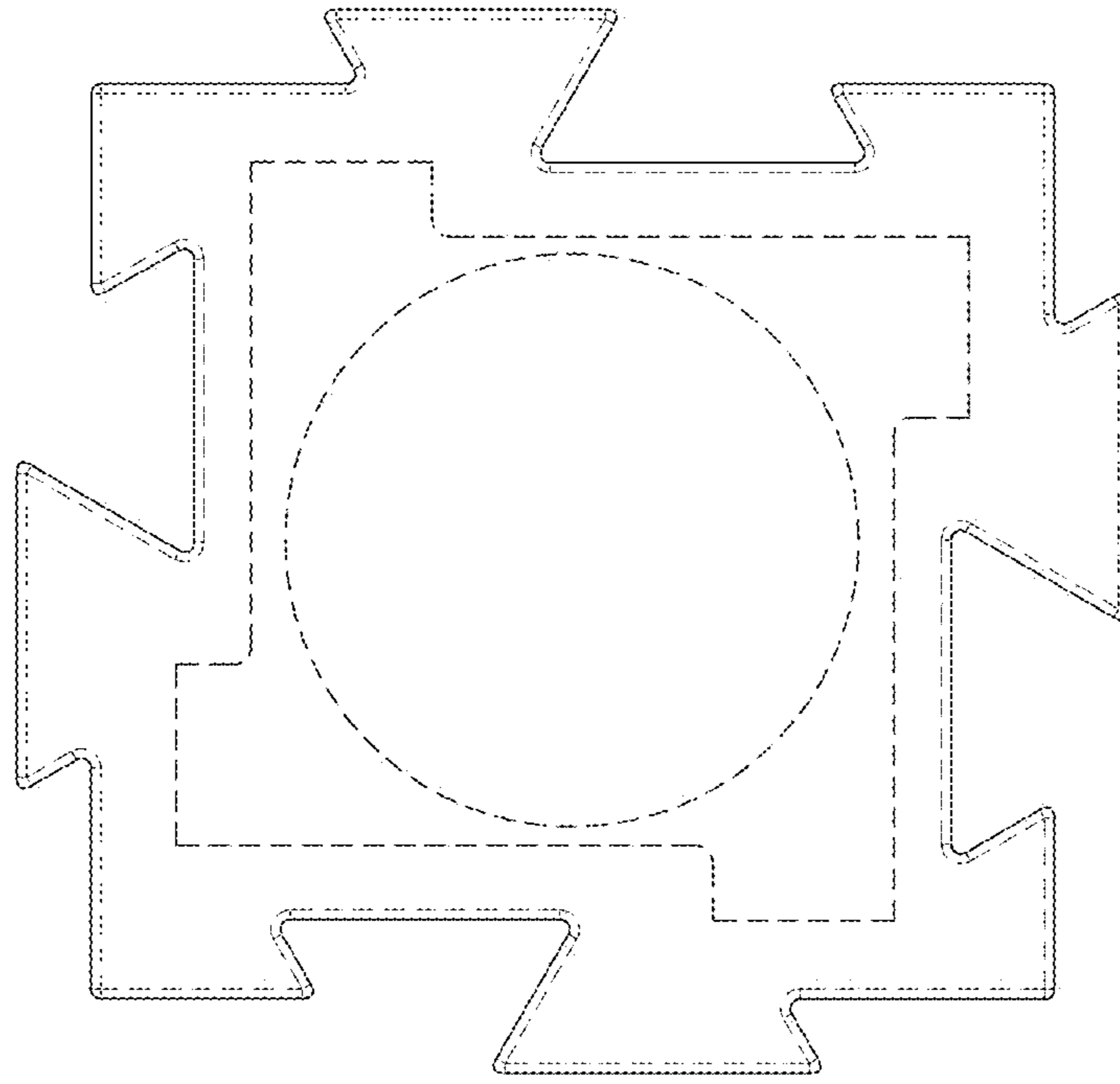


FIG. 7