



US00D975198S

(12) **United States Design Patent**
Mazur

(10) **Patent No.:** **US D975,198 S**
(45) **Date of Patent:** **** Jan. 10, 2023**

(54) **ELEMENT FOR A TOY BUILDING SET**

(71) Applicant: **Lego A/S**, Billund (DK)

(72) Inventor: **Yoel Mazur**, Billund (DK)

(73) Assignee: **LEGO A/S**, Billund (DK)

(**) Term: **15 Years**

(21) Appl. No.: **29/762,785**

(22) Filed: **Dec. 18, 2020**

(51) **LOC (14) Cl.** **21-01**

(52) **U.S. Cl.**
USPC **D21/494**; D21/503

(58) **Field of Classification Search**
USPC D21/484–505
CPC A63H 33/04; A63H 33/044; A63H 33/06;
A63H 33/062; A63H 33/086; A63H
33/088; A63H 33/10; A63H 33/101;
A63H 33/108; A63H 33/12
See application file for complete search history.

(56) **References Cited**

U.S. PATENT DOCUMENTS

D290,722 S *	7/1987	Kushner	D21/494
D315,754 S *	3/1991	Eggert	D21/492
D350,787 S *	9/1994	Hojlund	D21/501
D353,867 S *	12/1994	Houry	D21/814
D360,658 S *	7/1995	Voldmester	D21/501
D360,908 S *	8/1995	Ruszkai	D21/501
D362,474 S *	9/1995	Voldmester	D21/501

D376,827 S *	12/1996	Skov	D21/502
D384,989 S *	10/1997	Andersen	D21/491
D384,991 S *	10/1997	Riis	D21/501
D614,707 S *	4/2010	Ryaa	D21/501
D616,504 S *	5/2010	Andersen	D21/492
D620,989 S *	8/2010	Ryaa	D21/504
D639,870 S *	6/2011	Madsen	D21/494
D759,766 S *	6/2016	Hardstaff	D21/492
D767,045 S *	9/2016	Timg	D21/497

* cited by examiner

Primary Examiner — Cynthia M. Chin

(74) *Attorney, Agent, or Firm* — Fross Zelnick Lehrman & Zissu, P.C.; Charles T. J. Weigell, Esq.

(57) **CLAIM**

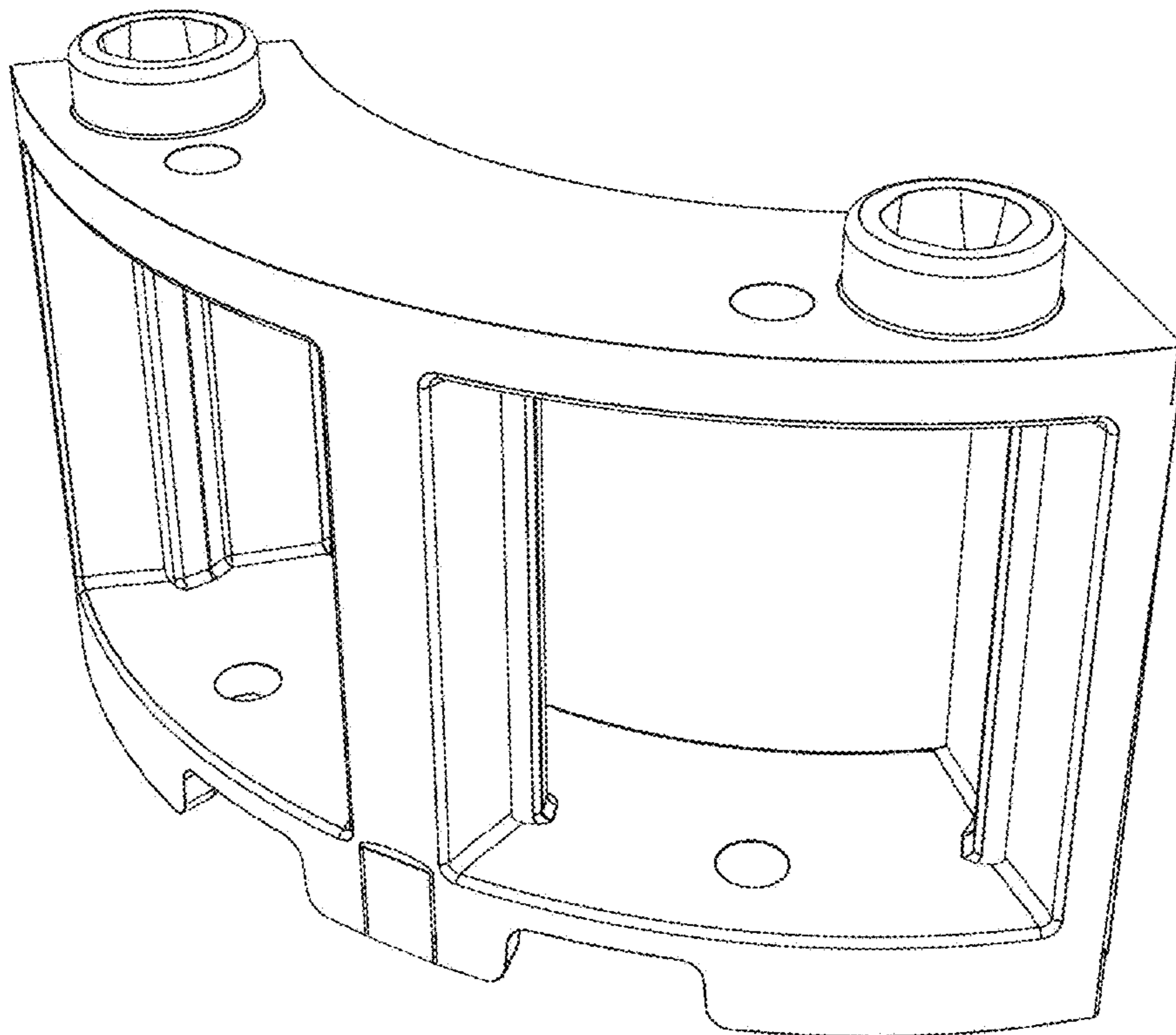
The ornamental design for an element for a toy building set, as shown and described.

DESCRIPTION

FIG. 1 is a first perspective view of the element for a toy building set showing my new design; FIG. 2 is a second perspective view thereof; FIG. 3 is a front view thereof; FIG. 4 is a back view thereof; FIG. 5 is a left side view thereof; FIG. 6 is a right side view thereof; FIG. 7 is a top view thereof; and, FIG. 8 is a bottom view thereof.

The broken lines in the drawings illustrate portions of the element for a toy building that form no part of the claimed design.

1 Claim, 7 Drawing Sheets



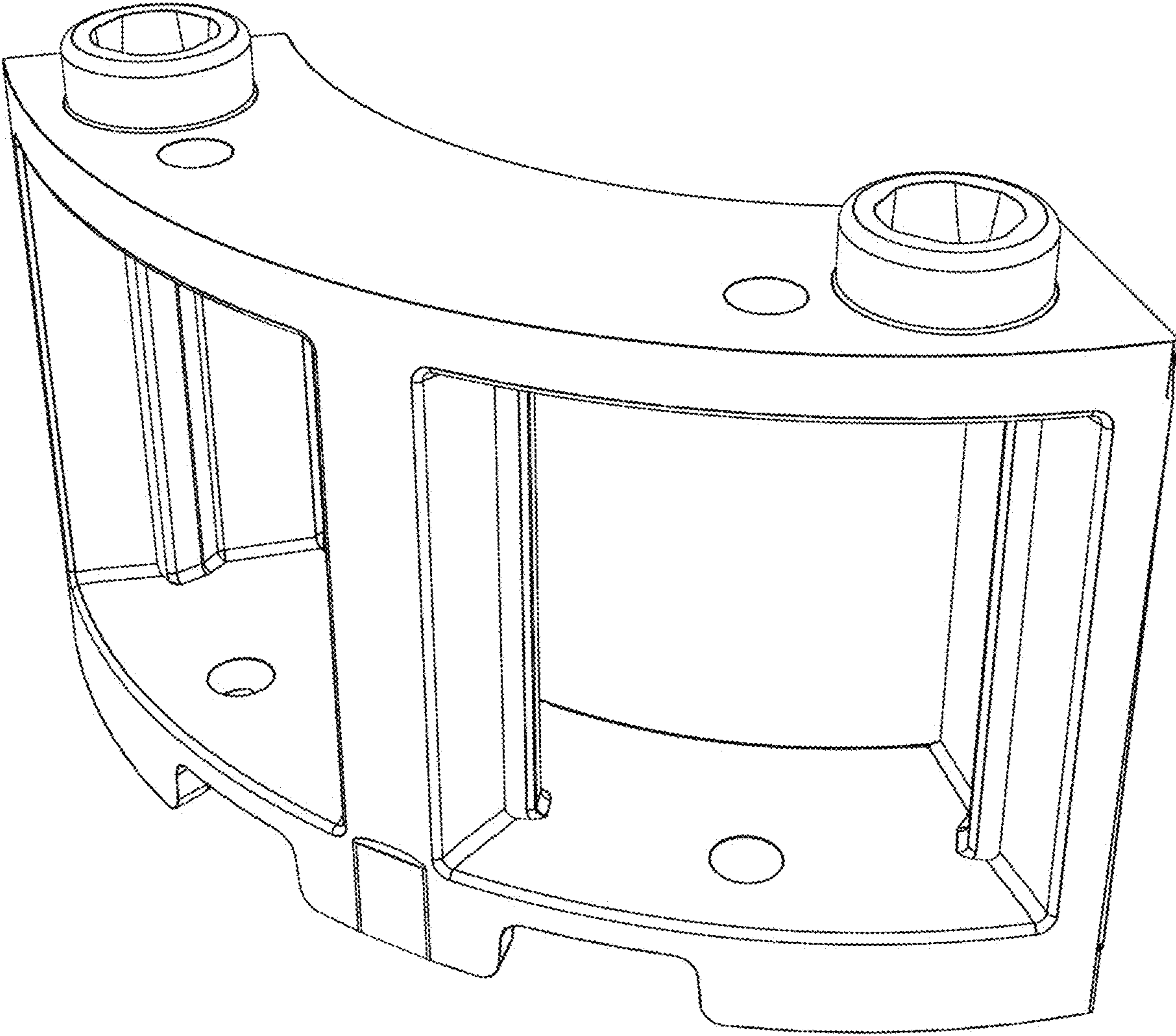


FIG. 1

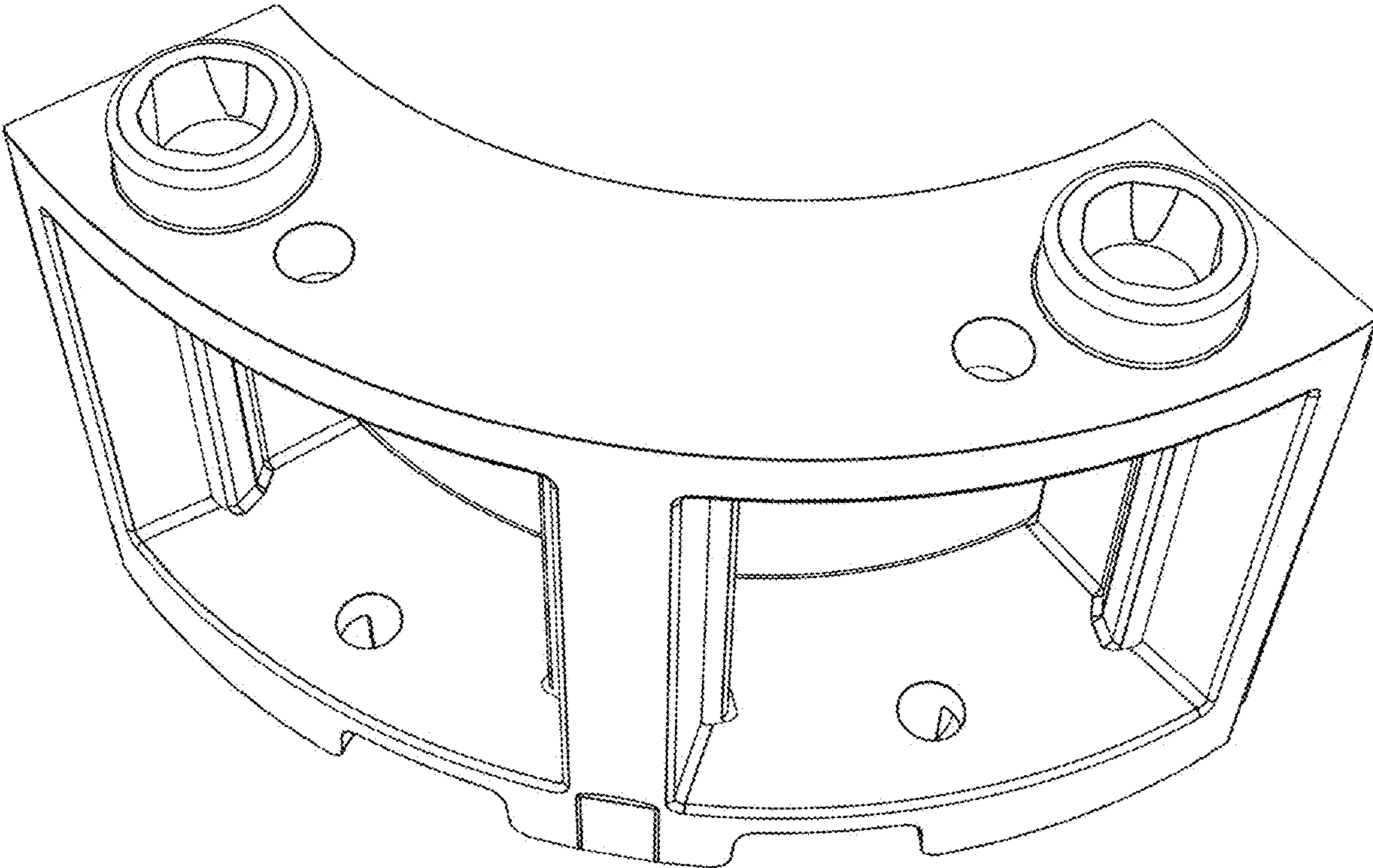


FIG. 2

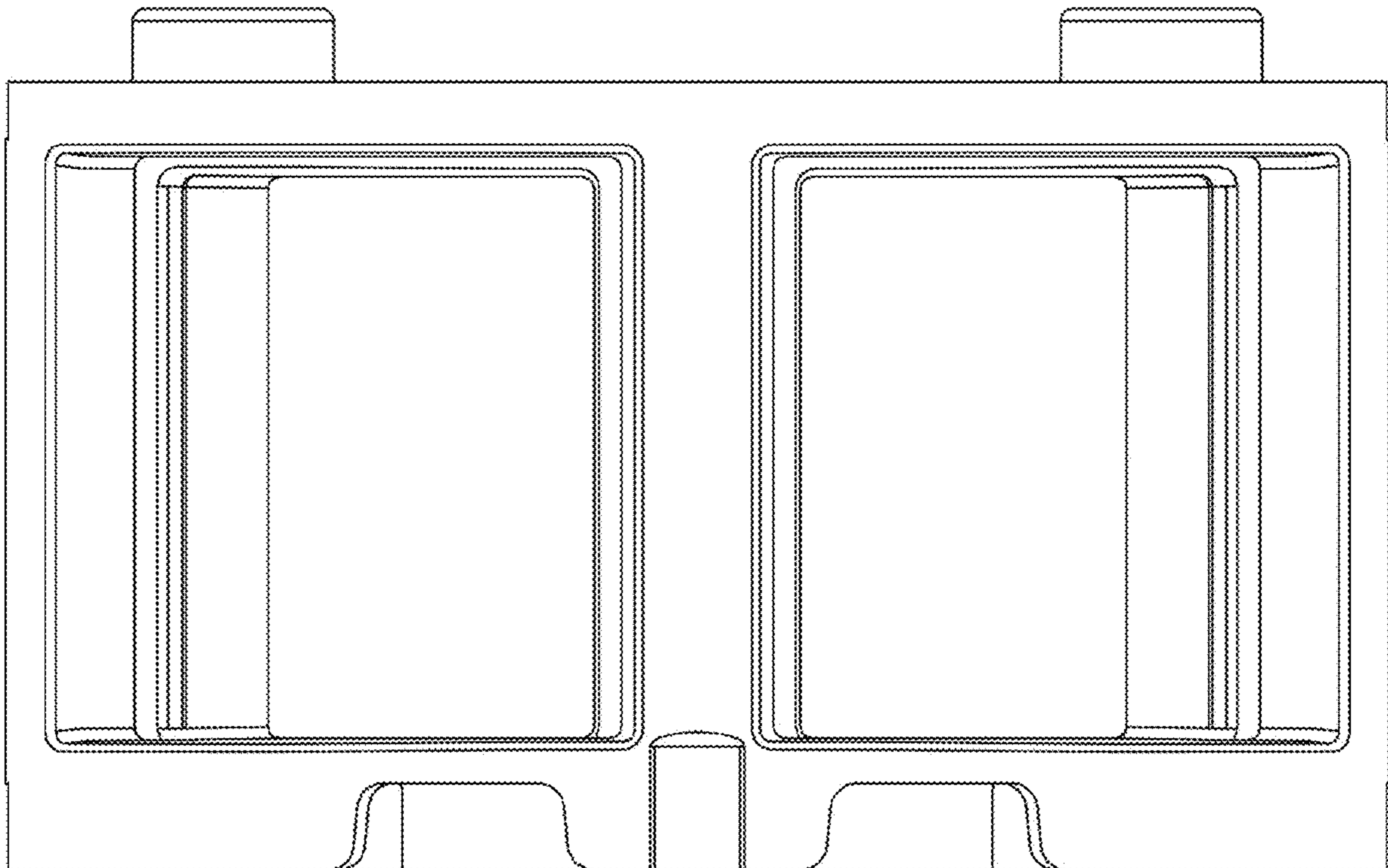


FIG. 3

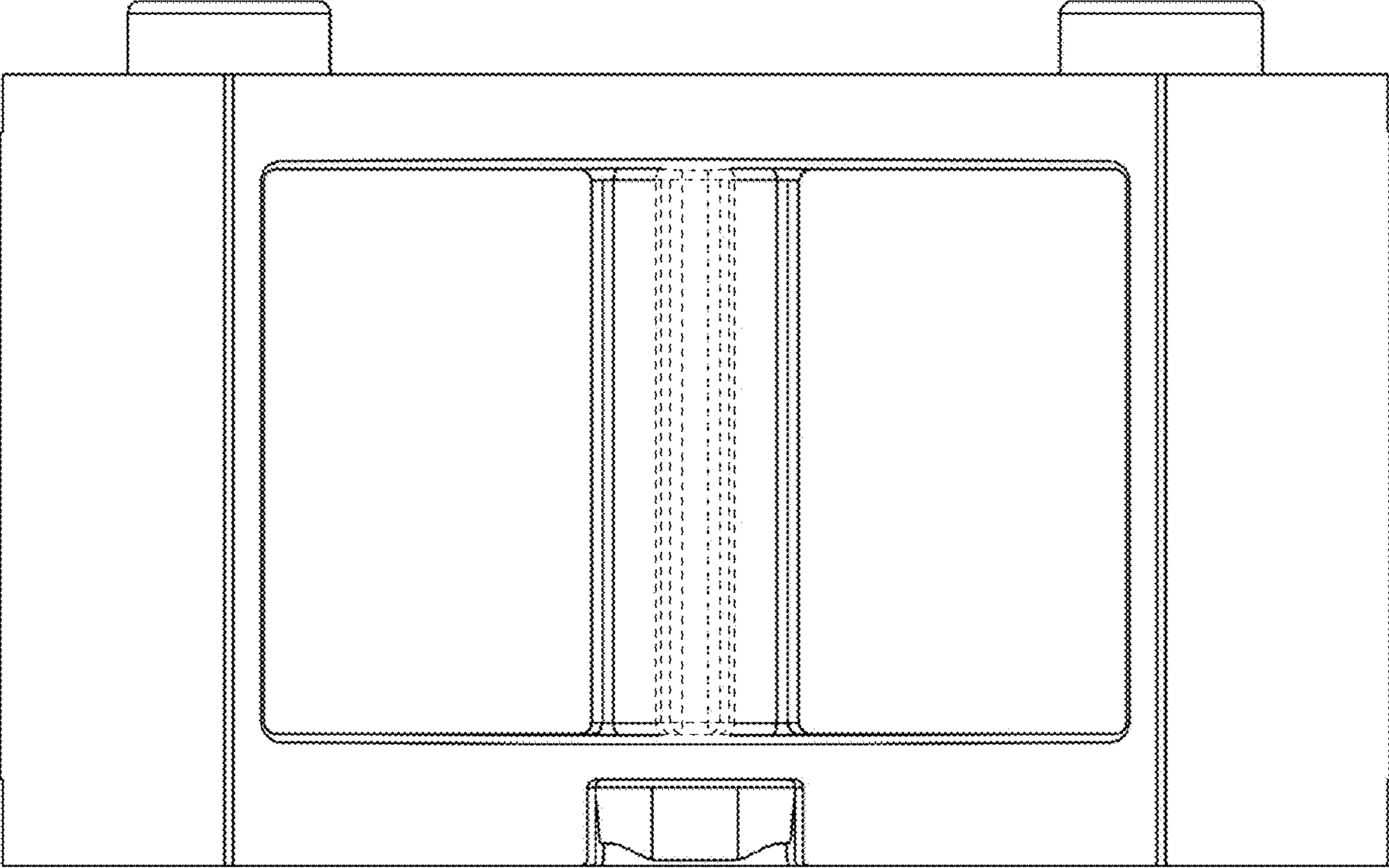


FIG. 4

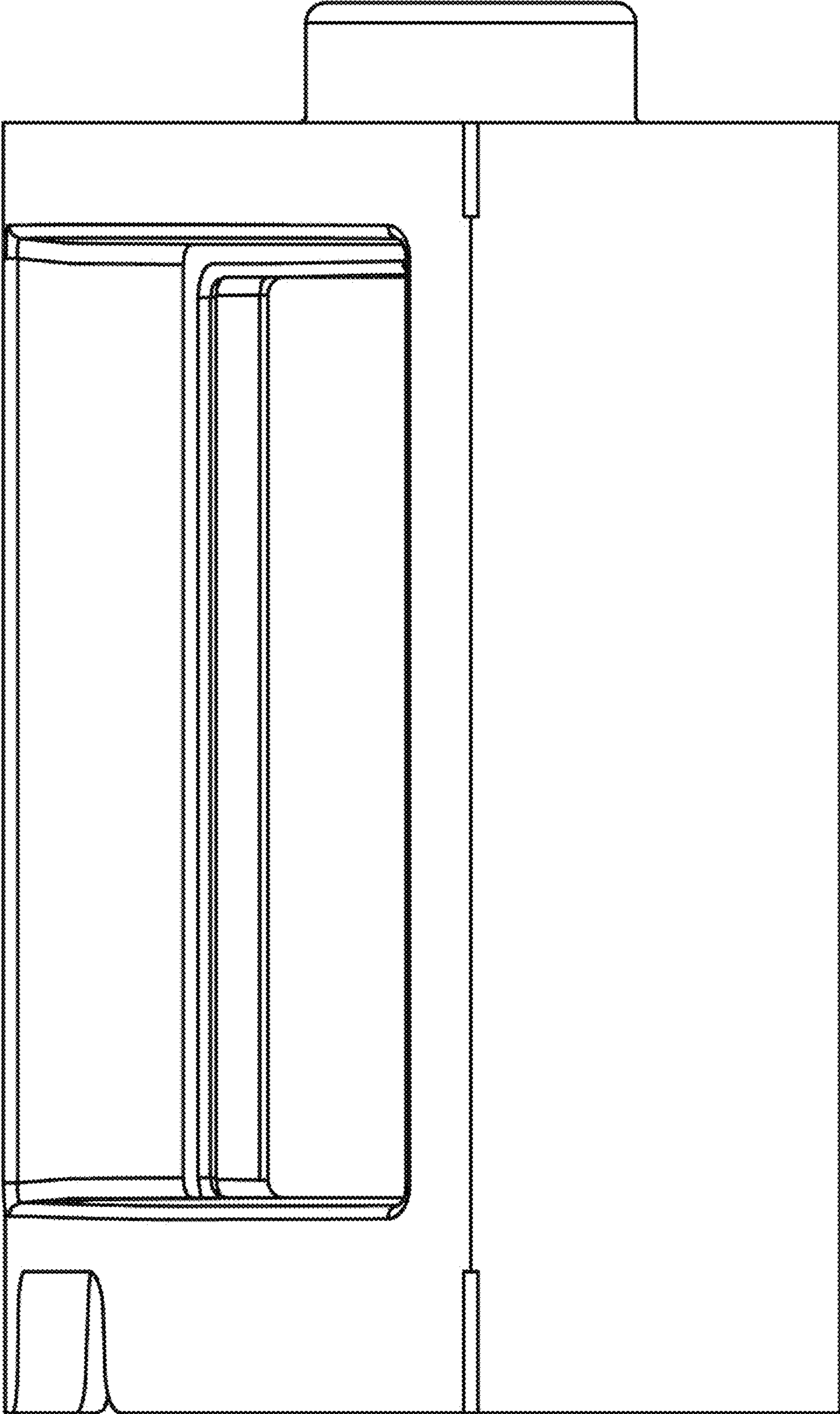


FIG. 5

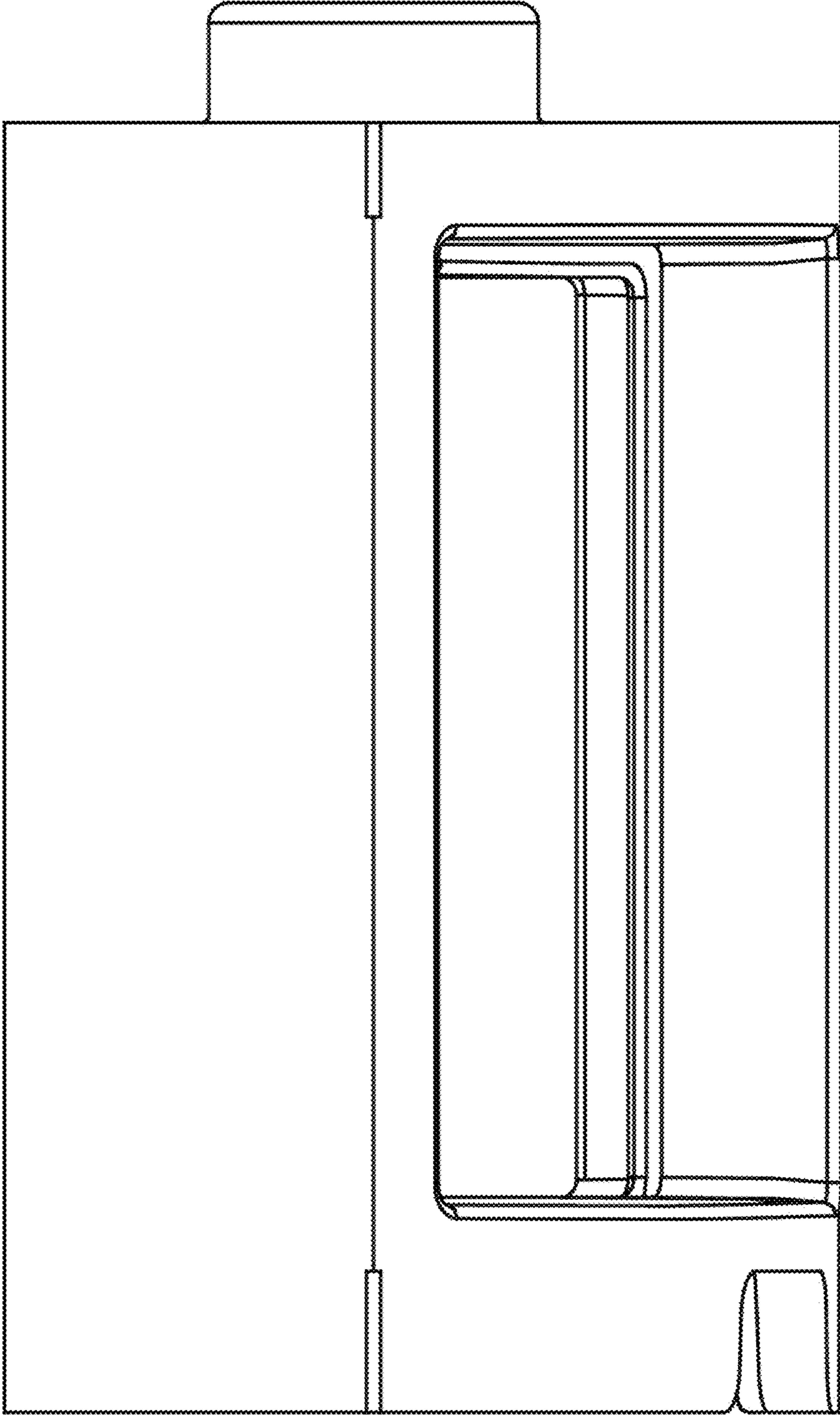


FIG. 6

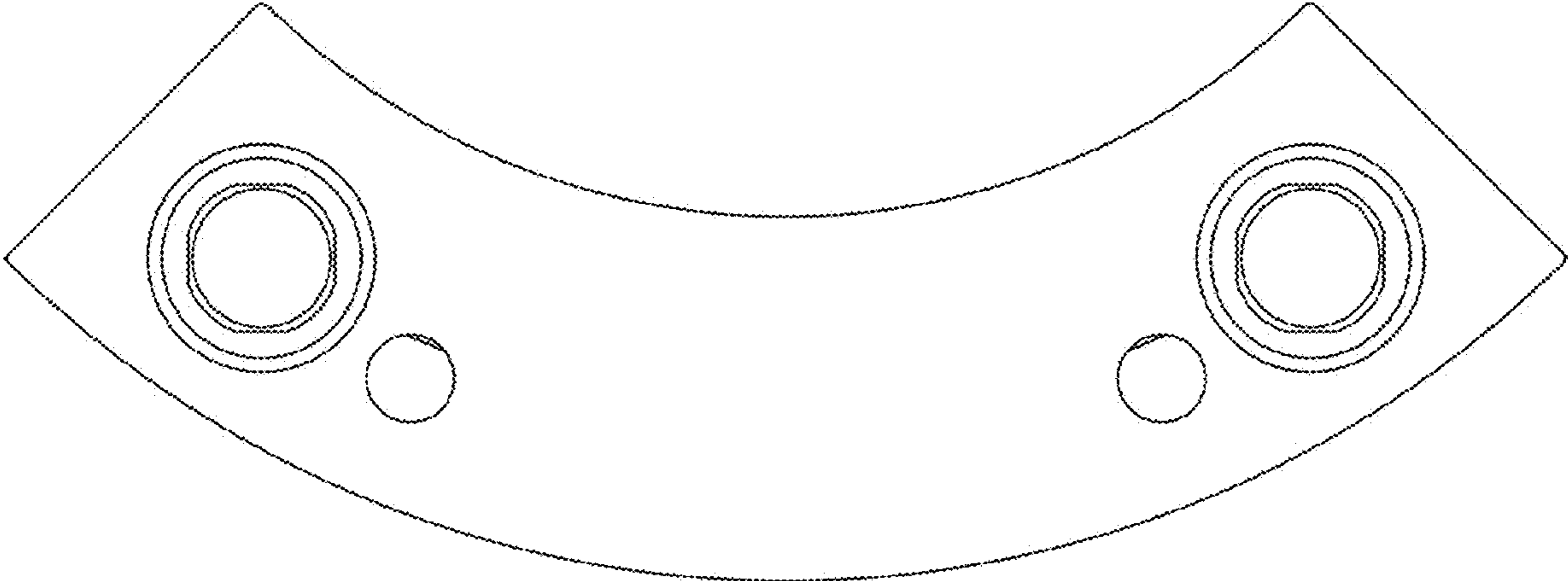


FIG. 7

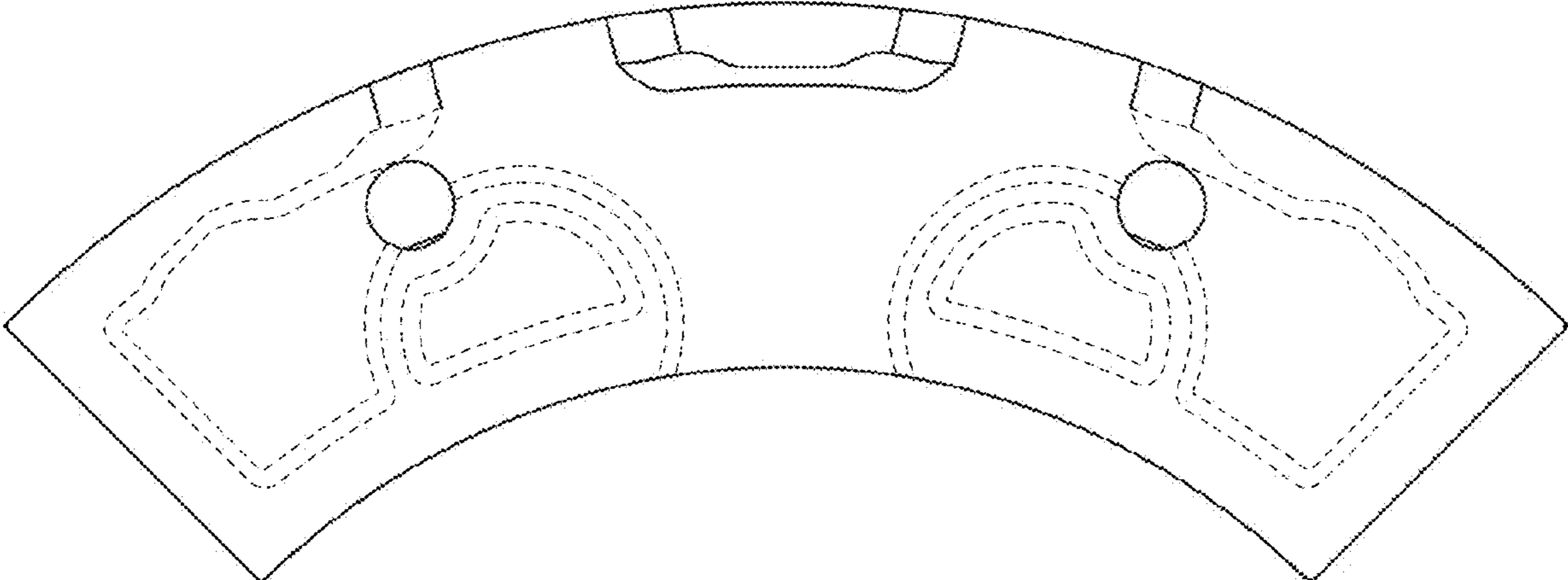


FIG. 8