



US00D975196S

(12) **United States Design Patent** (10) **Patent No.:** **US D975,196 S**
Wu (45) **Date of Patent:** **** Jan. 10, 2023**

(54) **EDUCATIONAL TURNTABLE TOY**

D954,362 S 6/2022 Wang et al.
D956,144 S * 6/2022 MacNeal D21/468
2003/0227133 A1* 12/2003 Fish A63F 3/00176
273/248

(71) Applicant: **Changli Wu**, Linyi (CN)

(72) Inventor: **Changli Wu**, Linyi (CN)

(73) Assignee: **Yiwu Ledou Pet Products Co., Ltd.**,
Yiwu (CN)

CA 202715 * 8/2022
CN 307412852 * 6/2022
CN 307425356 * 6/2022

(**) Term: **15 Years**

FOREIGN PATENT DOCUMENTS

(21) Appl. No.: **29/842,044**

(22) Filed: **Jun. 9, 2022**

(30) **Foreign Application Priority Data**

Apr. 28, 2022 (CN) 202230248298.3

(51) **LOC (14) Cl.** **21-01**

(52) **U.S. Cl.**
USPC **D21/468**; D21/334

(58) **Field of Classification Search**
USPC D21/455, 468, 478, 489, 475, 398, 338,
D21/334, 340, 443, 362, 345; D19/60;
D7/553.6; D1/124
CPC A63F 9/0073; A63F 2003/00208; A63H
37/005

See application file for complete search history.

(56) **References Cited**

U.S. PATENT DOCUMENTS

463,468 A * 11/1891 Truman A63F 7/044
206/315.1
D31,908 S * 11/1899 Lecloux D21/362
718,517 A * 1/1903 Perry A47G 23/03
248/346.11
D275,410 S 9/1984 Panicci
D602,535 S * 10/2009 Hoskins D21/345
D855,111 S * 7/2019 Cowan D21/342
D944,332 S * 2/2022 Yu D21/468
D945,088 S 3/2022 Wu

OTHER PUBLICATIONS

Amazon Website, Dog Food Dispensing Toy, Earliest available date: Feb. 12, 2022, [Website Visited on Sep. 15, 2022], Available on the internet URL <https://www.amazon.com/dp/B09SB82BT4/?th=1> (Year: 2022).*

(Continued)

Primary Examiner — S. Bryan Reinholdt, Jr.
Assistant Examiner — James T Tyree

(57) **CLAIM**

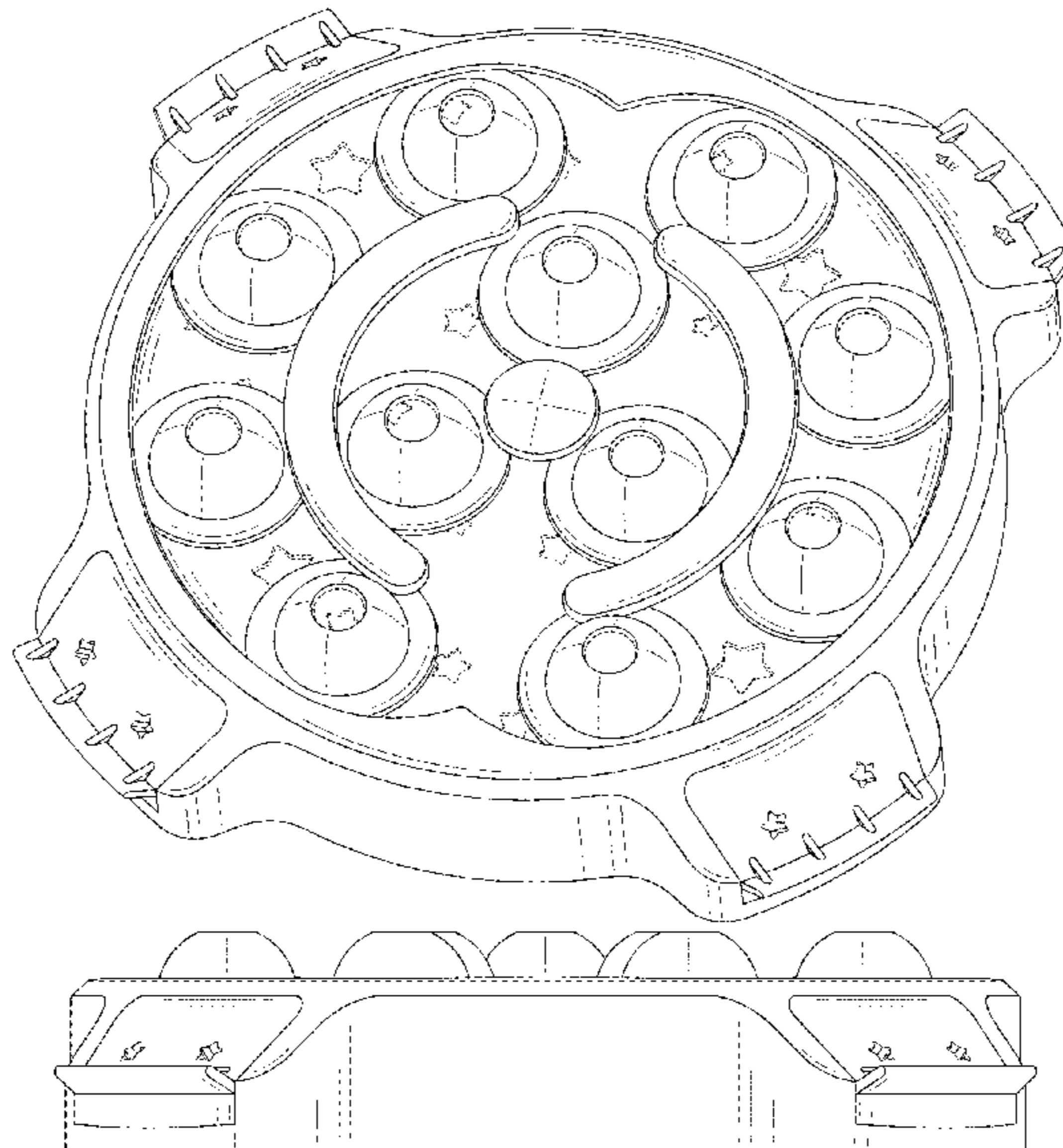
The ornamental design for an educational turntable toy, as shown and described.

DESCRIPTION

FIG. 1 is a perspective view of an educational turntable toy showing my new design;
FIG. 2 is a front elevational view thereof;
FIG. 3 is a rear elevational view thereof;
FIG. 4 is a left side elevational view thereof;
FIG. 5 is a right side elevational view thereof;
FIG. 6 is a top plan view thereof;
FIG. 7 is a bottom plan view thereof;
FIG. 8 is another perspective view thereof; and,
FIG. 9 is another perspective view in separate condition thereof.

The broken lines throughout the drawing figures depict portions of the educational turntable toy that form no part of the claimed design.

1 Claim, 9 Drawing Sheets



(56)

References Cited

OTHER PUBLICATIONS

Amazon Website, Dog Puzzle Toys, Earliest available date: Aug. 6, 2022, [Website Visited on Sep. 15, 2022], Available on the internet URL <https://www.amazon.com/LUWANPET-Interactive-Mentally-stimulating-Digestion/dp/B0B8VLB3KX/> (Year: 2022).*

* cited by examiner

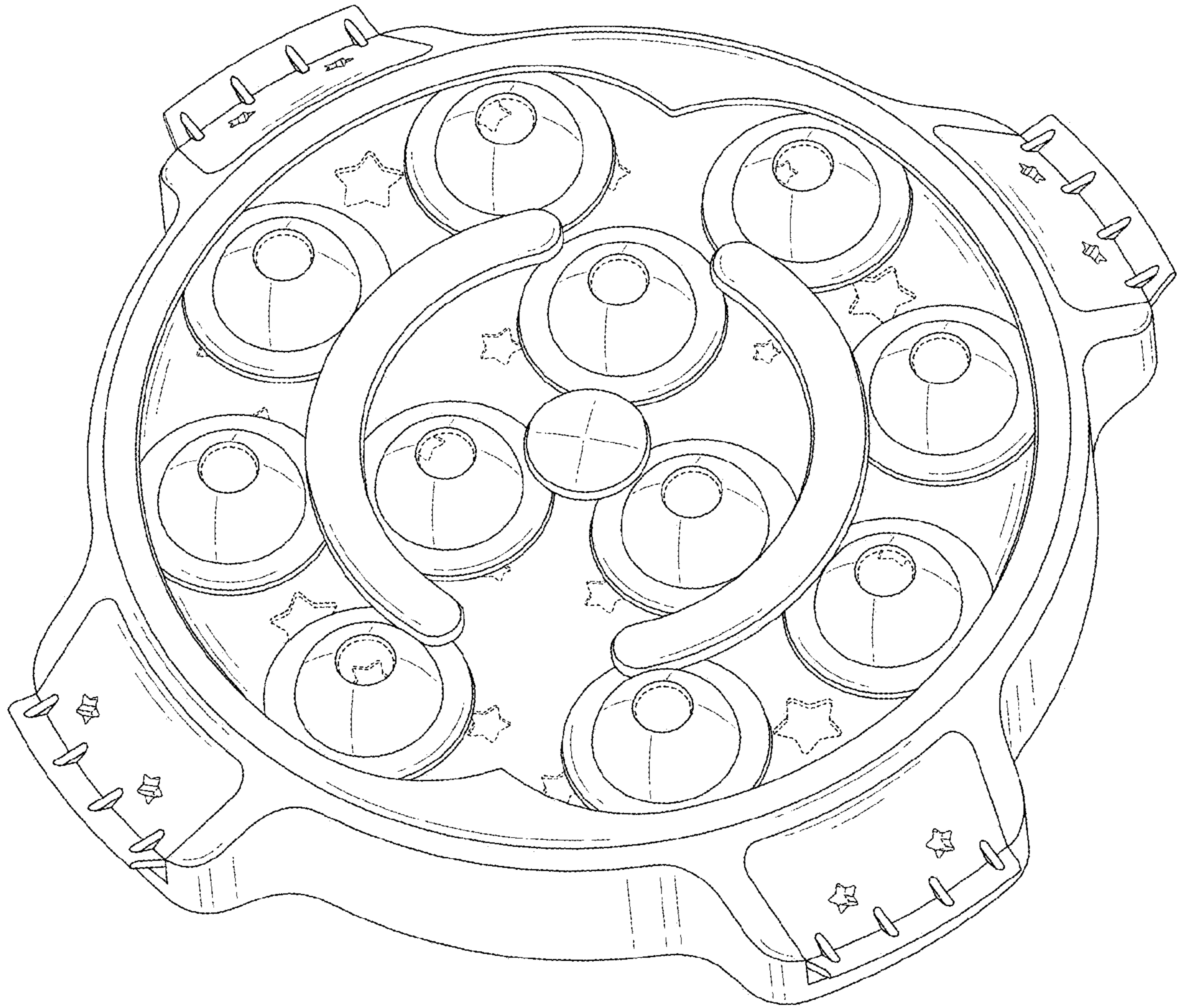


FIG.1

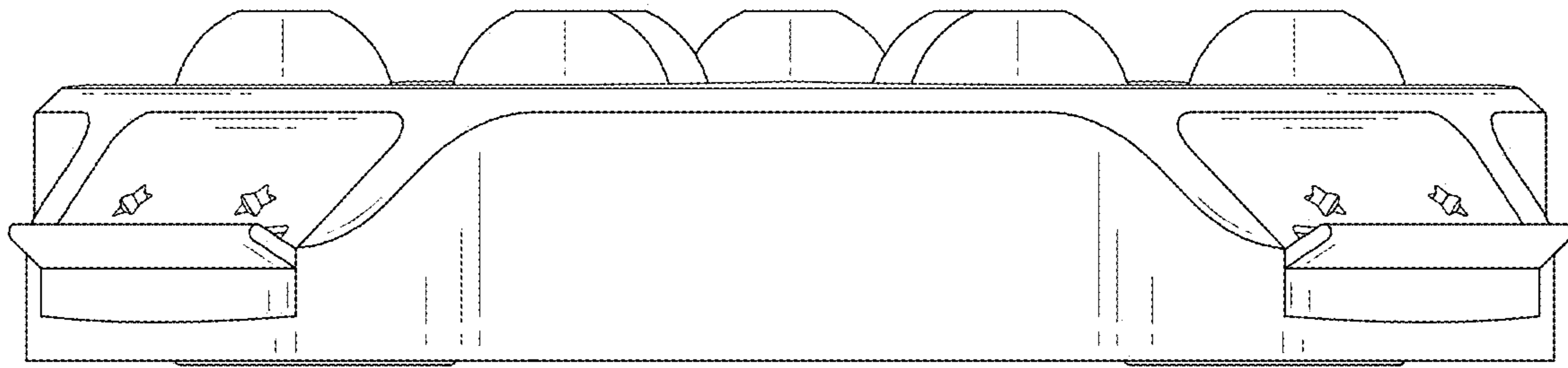


FIG.2

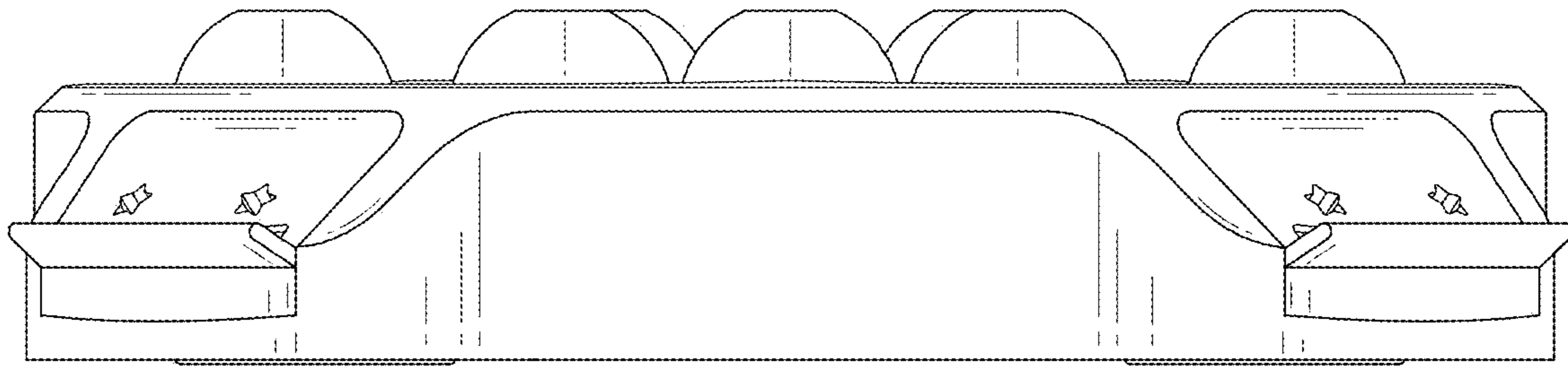


FIG.3

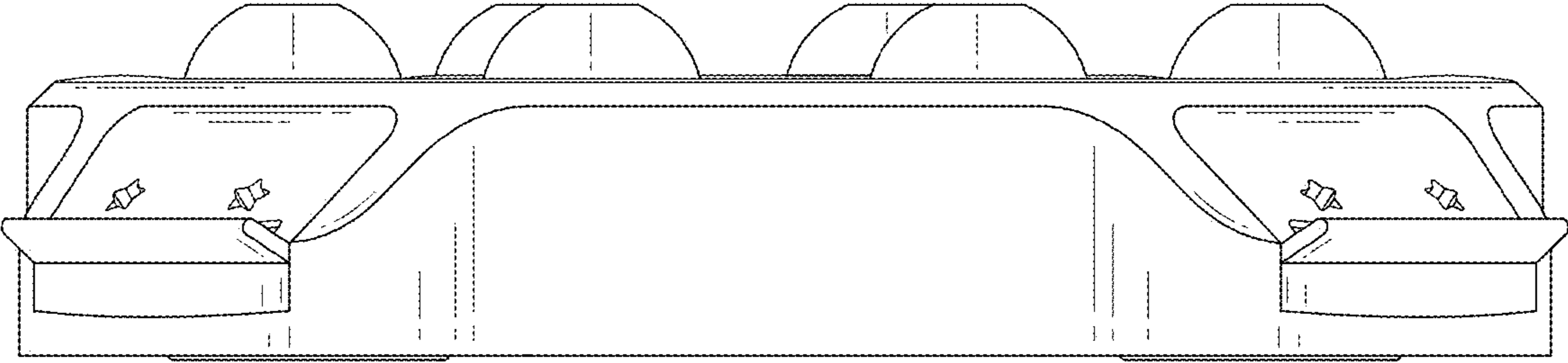


FIG.4

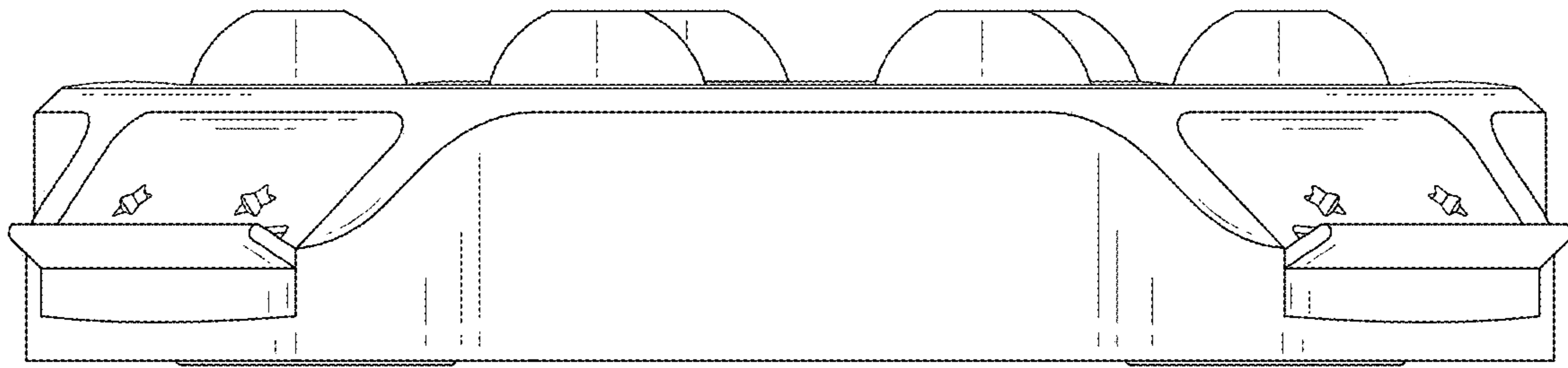


FIG.5

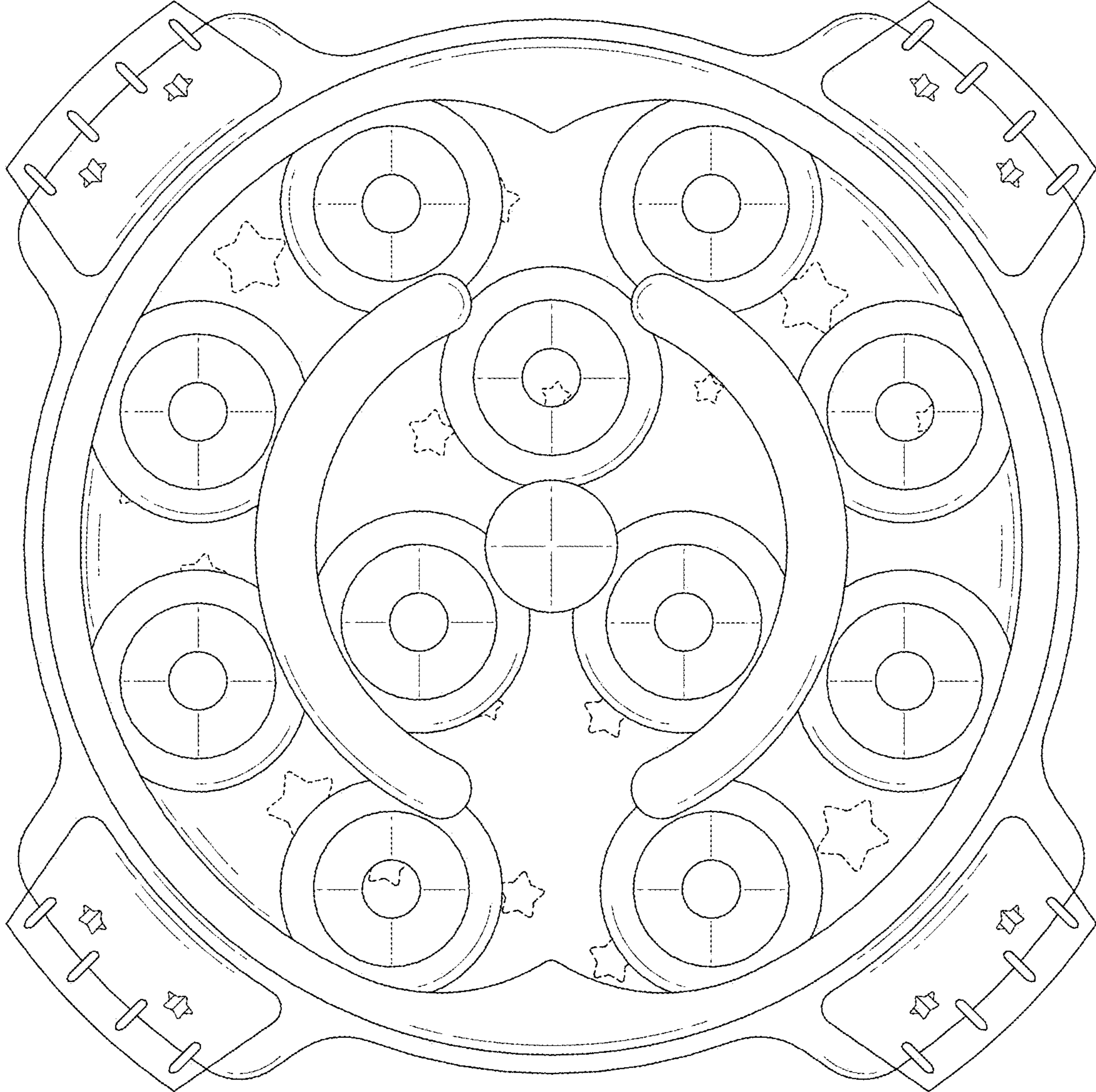


FIG.6

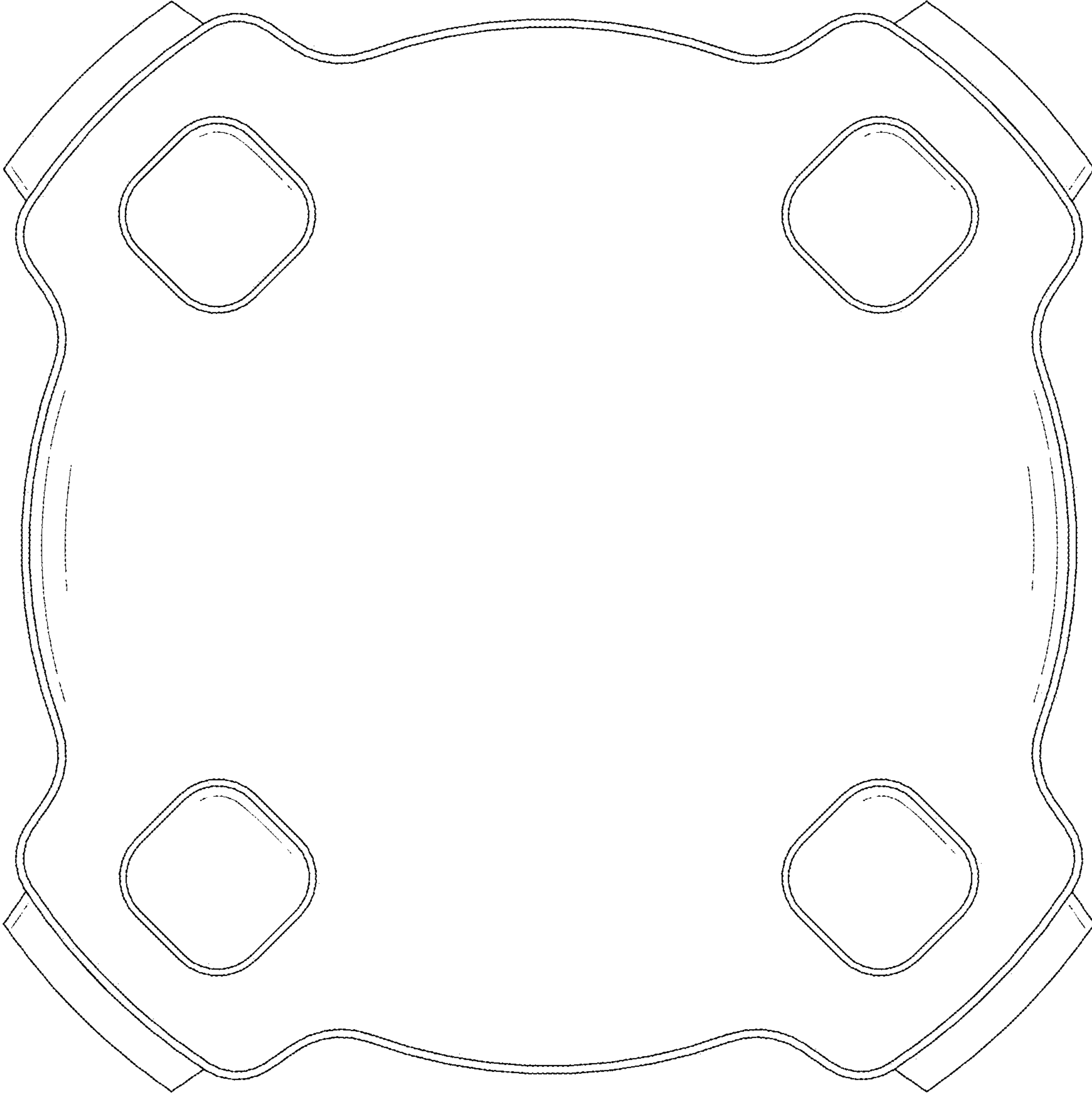


FIG.7

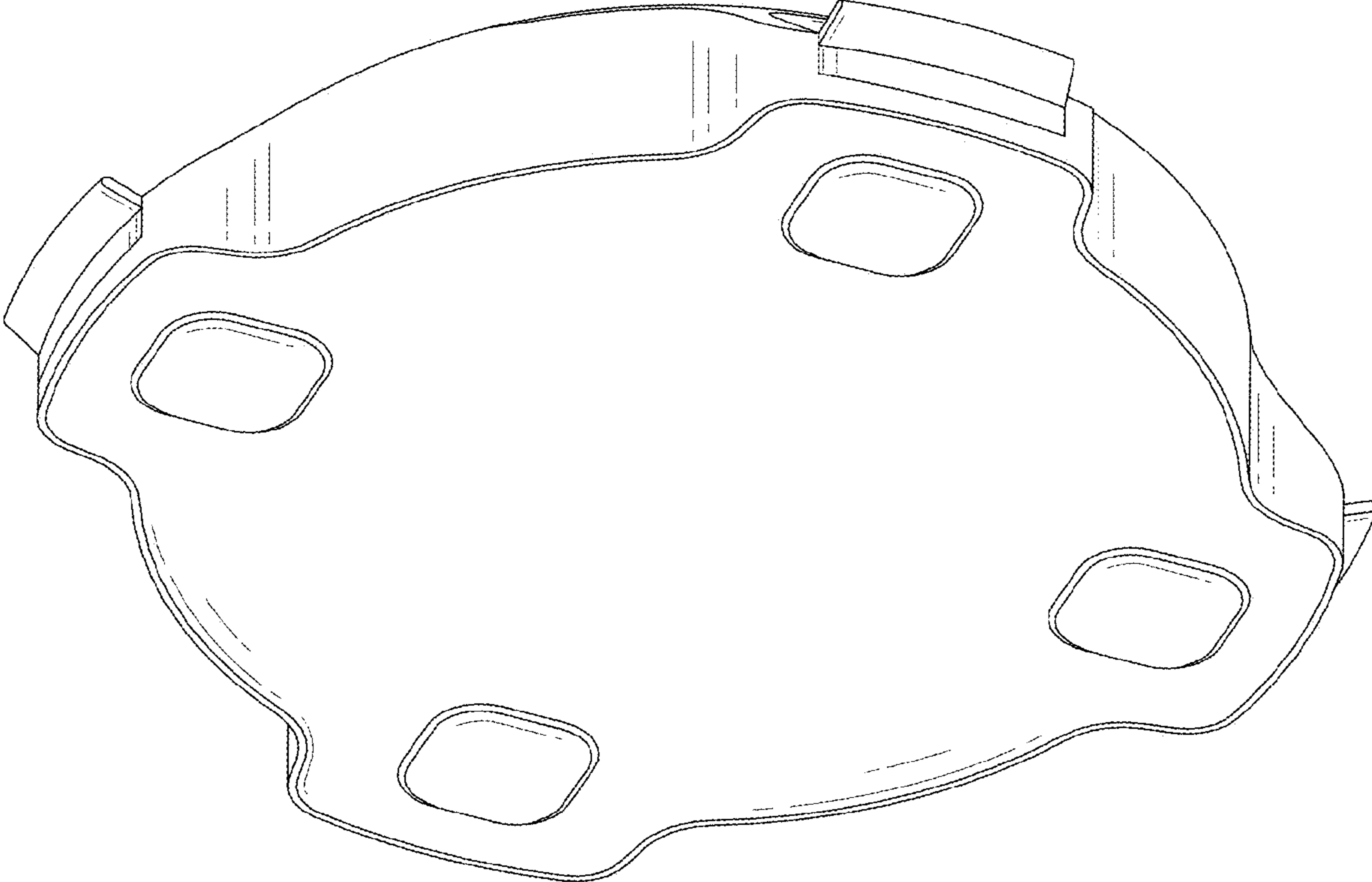


FIG.8

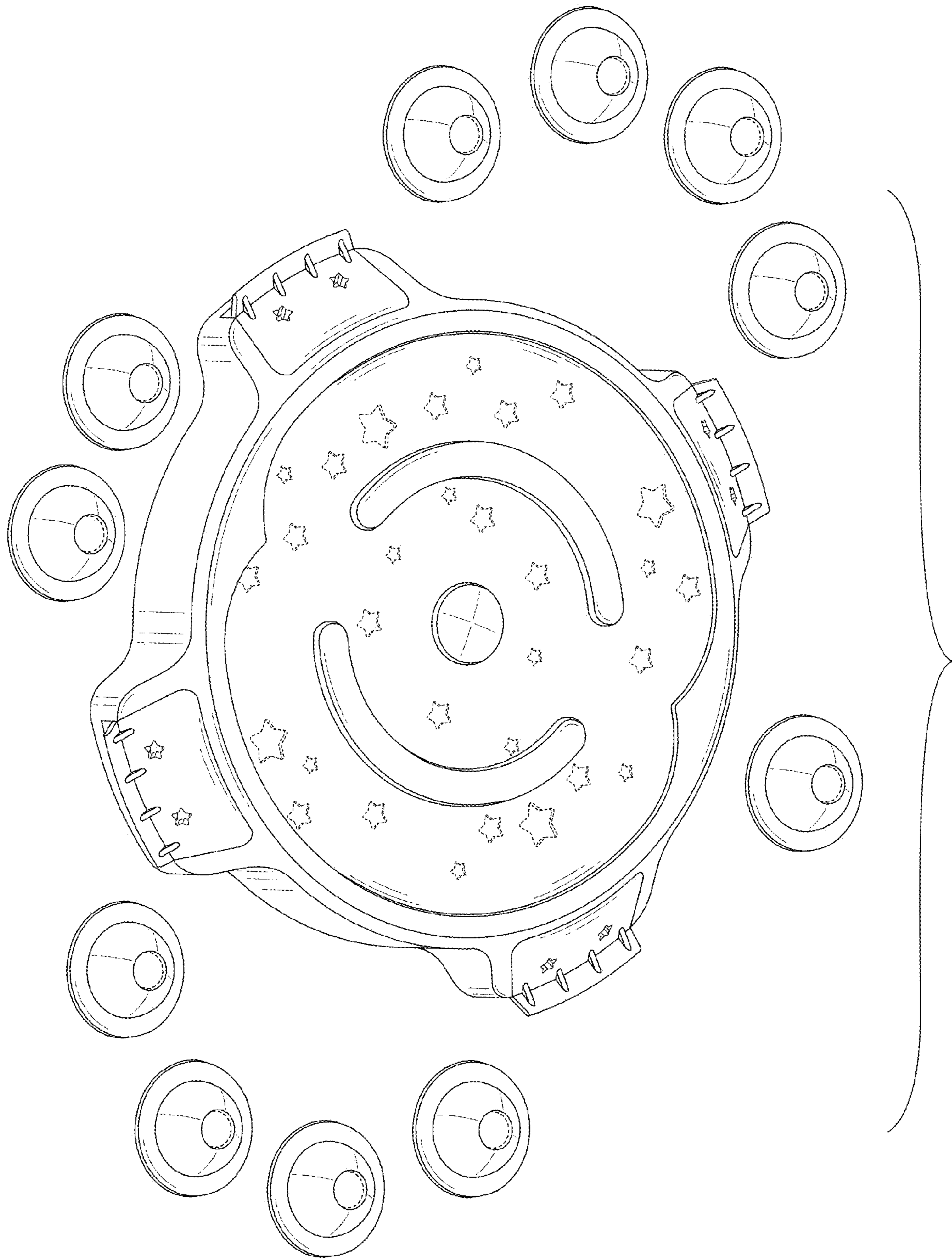


FIG.9