



US00D975195S

(12) **United States Design Patent**
Xiao et al.

(10) **Patent No.:** **US D975,195 S**

(45) **Date of Patent:** **** Jan. 10, 2023**

- (54) **DECOMPRESSION TOY**
- (71) Applicant: **Shenzhen Xinaosheng outdoor products co. LTD**, Shenzhen (CN)
- (72) Inventors: **Qiang Xiao**, Youxi (CN); **Jian Huang**, Jiujiang (CN)
- (**) Term: **15 Years**
- (21) Appl. No.: **29/791,371**
- (22) Filed: **Jan. 10, 2022**
- (51) **LOC (14) Cl.** **21-01**
- (52) **U.S. Cl.**
USPC **D21/468**
- (58) **Field of Classification Search**
USPC D21/334, 338-346, 350, 377, 385, 398, D21/466, 473, 475, 478, 479, 480, 491, D21/512, 406, 444, 707, 657, 572, 650; D19/90, 136; D7/550.1, 553.4, 553.5, D7/553.7, 553.8, 555-557, 611, 701, 702, D7/708, 624.1, 357, 359, 672, 675, 677, D7/388, 409, 410; D9/758; D30/160; D24/211, 212, 214, 195; D11/121, D11/124-129, 130; D1/30
CPC A63B 21/078; A63B 41/08; A63B 43/00; A63B 67/00; A63H 5/00; A63H 33/00; A63H 33/001; A63F 3/00214; A63F 3/00533; A63F 3/00574; A63F 3/00697; A63F 3/0415; A63F 3/06; A63F 3/062; A63F 3/0625; A63F 3/0635; A63F 3/0695; A63F 2003/00258; A63F 2003/00394; A63F 2003/00397; A63F 2003/004; A63F 2003/00457; A63F 2003/00504; A63F 2003/0418
See application file for complete search history.

- 2,241,576 A * 5/1941 Barton A63H 7/00 446/361
 - 2,728,168 A * 12/1955 Gier A63H 11/205 446/290
 - D247,259 S * 2/1978 Yonezawa D21/592
 - D279,809 S * 7/1985 Edmisson D21/592
 - D413,355 S * 8/1999 Cogliano D19/59
- (Continued)

FOREIGN PATENT DOCUMENTS

CN 307378537 * 5/2022

OTHER PUBLICATIONS

“3D Printed Articulating Slug” Oct. 12, 2021, Youtube, site visited Sep. 8, 2022: <https://www.youtube.com/watch?v=g7xOFa9UVas> (Year: 2021).*

(Continued)

Primary Examiner — Jack Reickel
Assistant Examiner — Salamah Jordan
(74) *Attorney, Agent, or Firm* — Rमित R. Kanakia

(57) **CLAIM**

The ornamental design for a decompression toy, as shown and described.

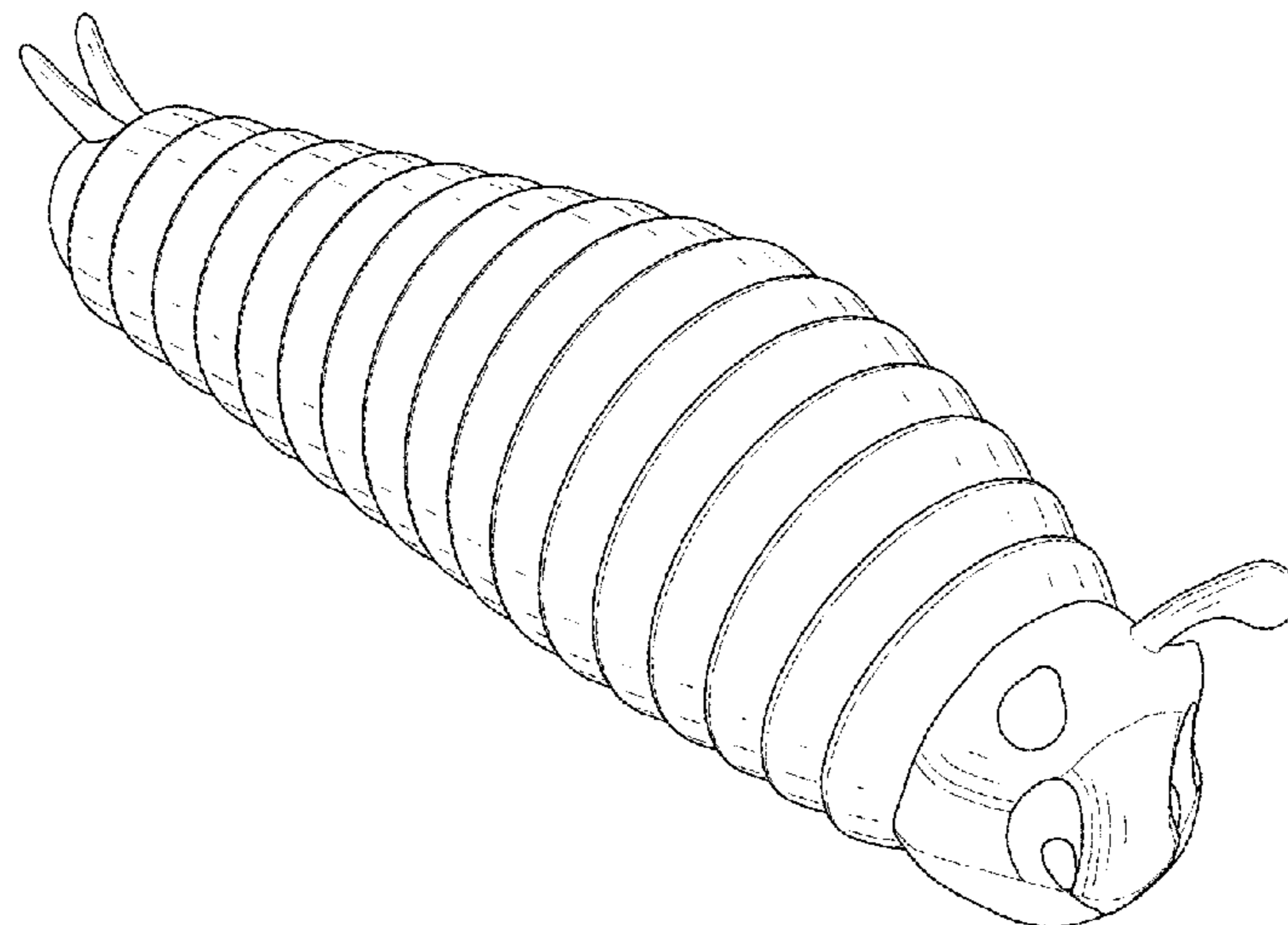
DESCRIPTION

FIG. 1 is a perspective view of a decompression toy showing our new design;
FIG. 2 is a front view thereof;
FIG. 3 is a back view thereof;
FIG. 4 is a left side view thereof;
FIG. 5 is a right side view thereof;
FIG. 6 is a top view thereof;
FIG. 7 is a bottom view thereof; and,
FIG. 8 is a perspective view of another state of the decompression toy thereof.

1 Claim, 8 Drawing Sheets

(56) **References Cited**
U.S. PATENT DOCUMENTS

- 857,593 A * 6/1907 Brown A63H 3/04 446/368
- 1,599,947 A * 9/1926 Bishop A63H 3/04 446/368



(56)

References Cited

U.S. PATENT DOCUMENTS

D418,639 S * 1/2000 Simon D30/160
 D439,624 S * 3/2001 Webb D21/650
 6,623,328 B1 * 9/2003 Theel A63H 3/02
 446/369
 D530,221 S * 10/2006 Paglina D9/692
 D624,974 S * 10/2010 Taylor D21/657
 D655,058 S * 2/2012 Blair D1/199
 8,225,747 B2 * 7/2012 Markham A01K 5/0114
 119/51.01
 D669,140 S * 10/2012 Mimlitch, III D21/578
 D682,953 S * 5/2013 Mimlitch, III D21/578
 D698,396 S * 1/2014 Friedland D21/572
 8,641,472 B2 * 2/2014 Taylor A63H 11/12
 446/368
 D729,493 S * 5/2015 Slusarczyk D1/130
 D755,312 S * 5/2016 Summers D24/195
 D762,928 S * 8/2016 Lai D30/160
 D797,861 S * 9/2017 Turocy D21/650
 D805,207 S * 12/2017 Ruffin D30/160
 D812,822 S * 3/2018 Pinto D30/160

D815,370 S * 4/2018 Pinto D21/657
 D853,058 S * 7/2019 Cox D30/160
 10,575,499 B2 * 3/2020 Mullin A01K 15/026
 10,575,604 B2 * 3/2020 Kimbrough A44C 15/001
 D904,529 S 12/2020 Sun
 D917,634 S 4/2021 Fantino et al.
 D931,379 S 9/2021 Xu
 11,123,649 B1 * 9/2021 Kownacki A63H 33/00
 D934,511 S * 10/2021 Fan D30/160
 2007/0041780 A1 * 2/2007 Hsu B43K 29/10
 401/195
 2015/0000611 A1 * 1/2015 Cooper A63H 3/16
 2022/0192339 A1 * 6/2022 Rotundo A63H 33/00

OTHER PUBLICATIONS

“Articulated Slug Fidget Toy Review 2021”, Dec. 31, 2021, Youtube, site visited Sep. 8, 2022: <https://www.youtube.com/watch?v=Kha-Q499SSE> (Year: 2021).*
 “Fidget Slug” Jul. 22, 2022, Amazon, site visited, Sep. 8, 2022: <https://amzn.to/3TWTg6o> (Year: 2022).*

* cited by examiner

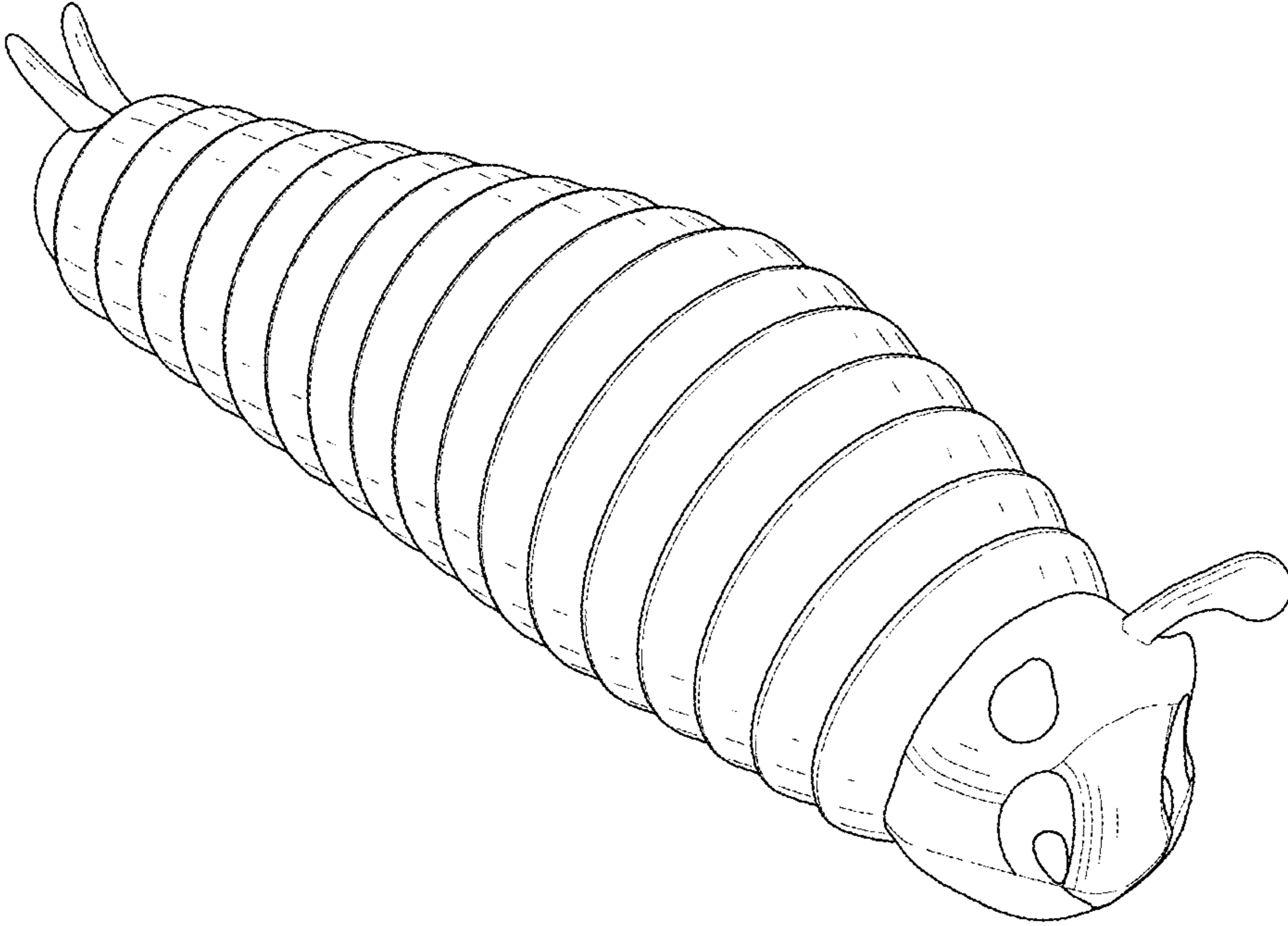


FIG. 1

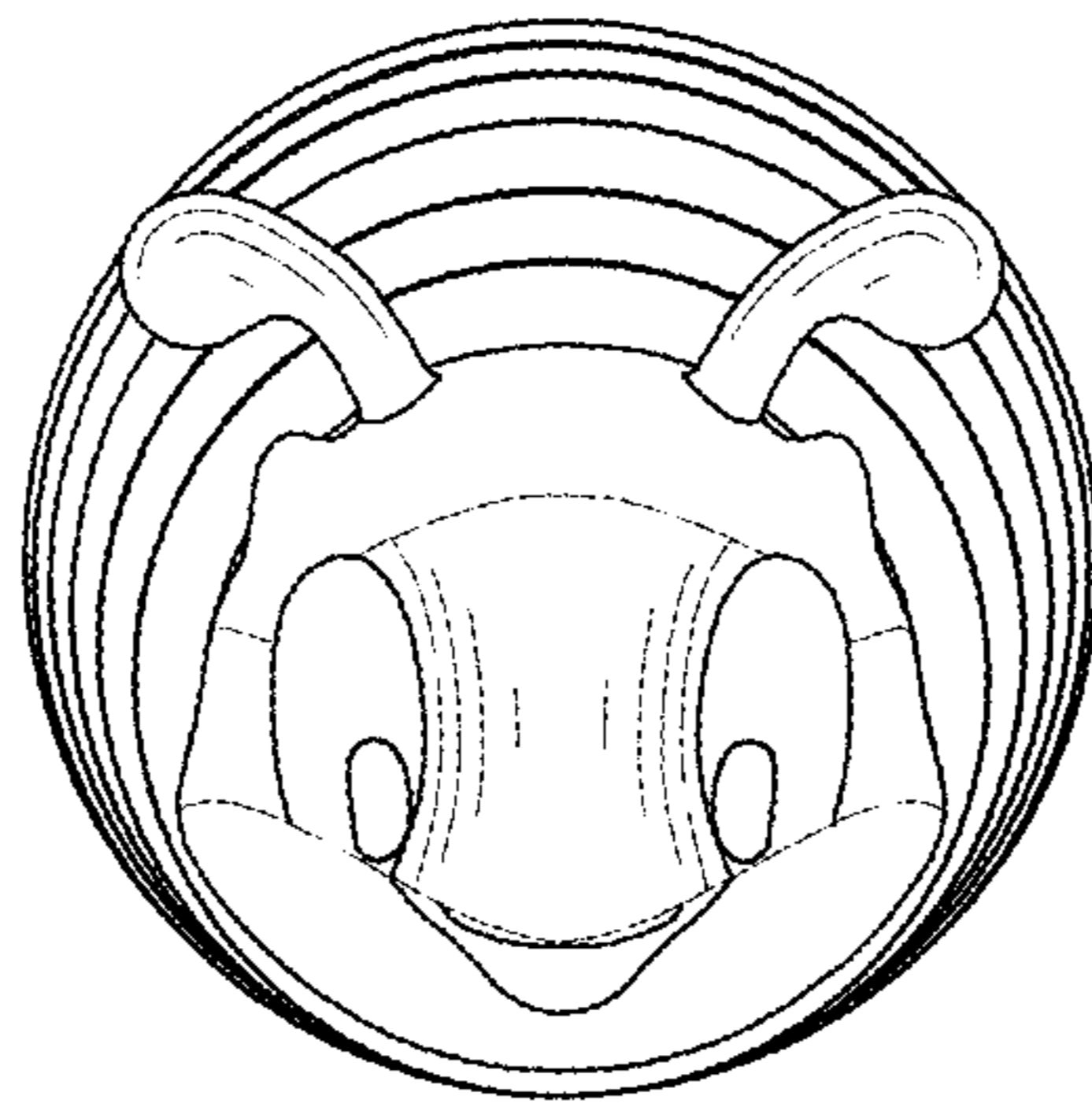


FIG. 2

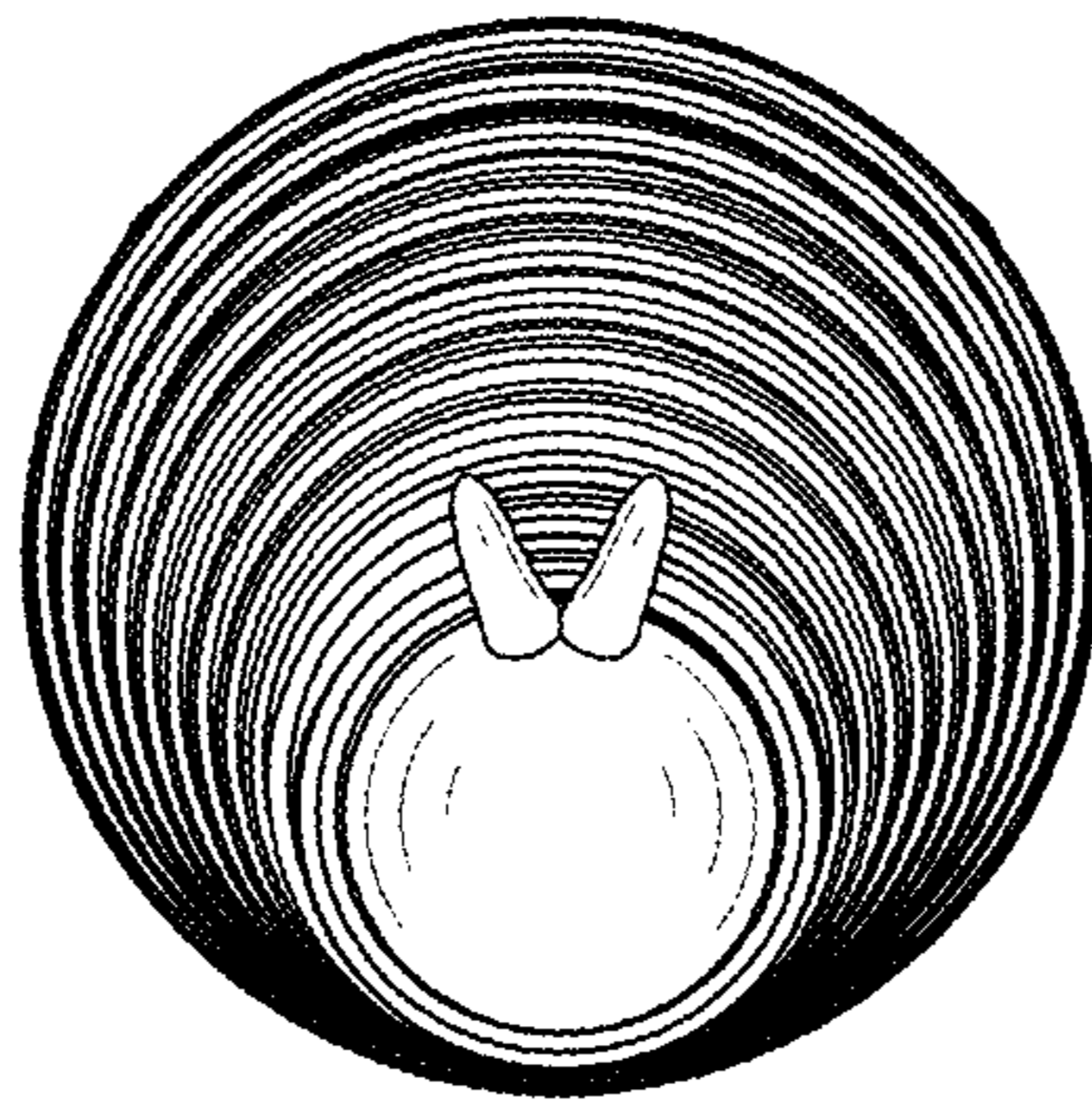


FIG. 3

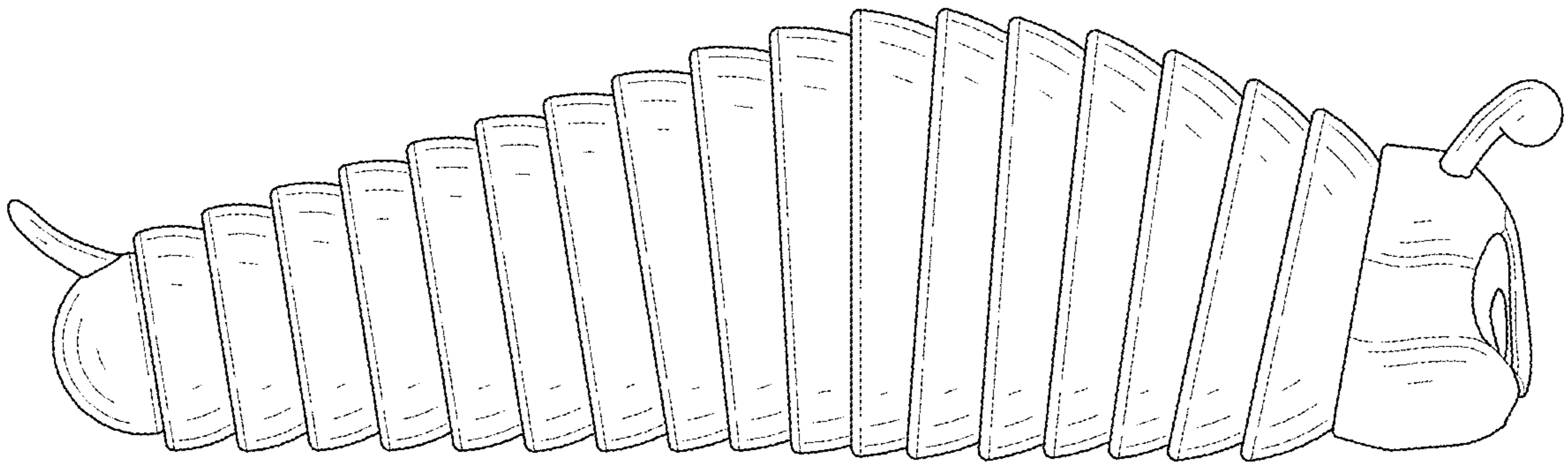


FIG. 4

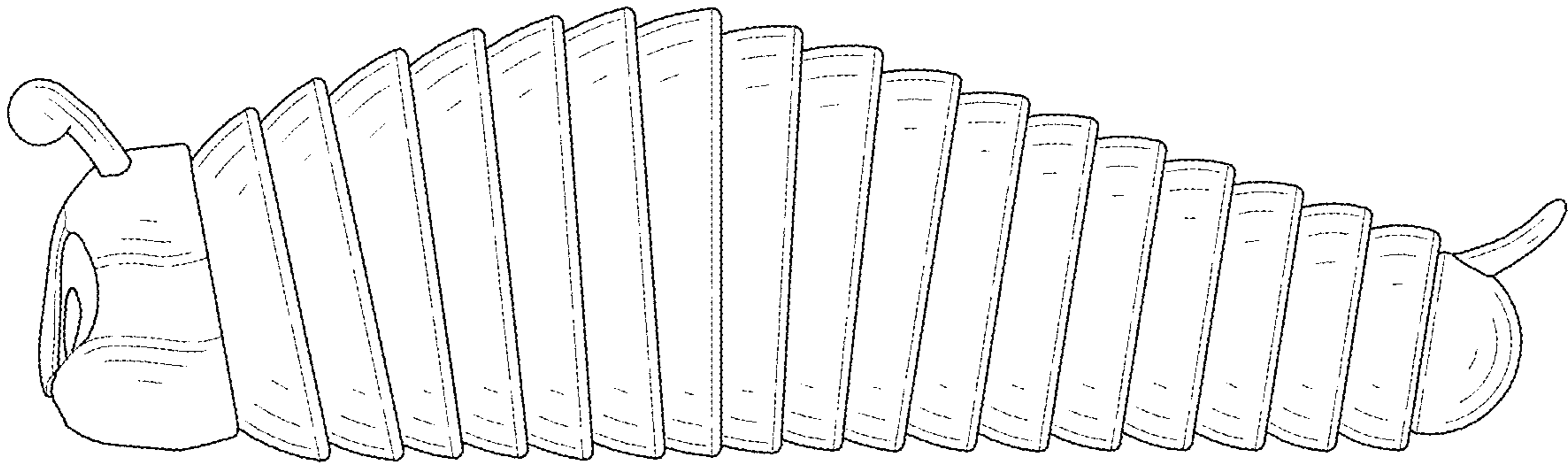


FIG. 5

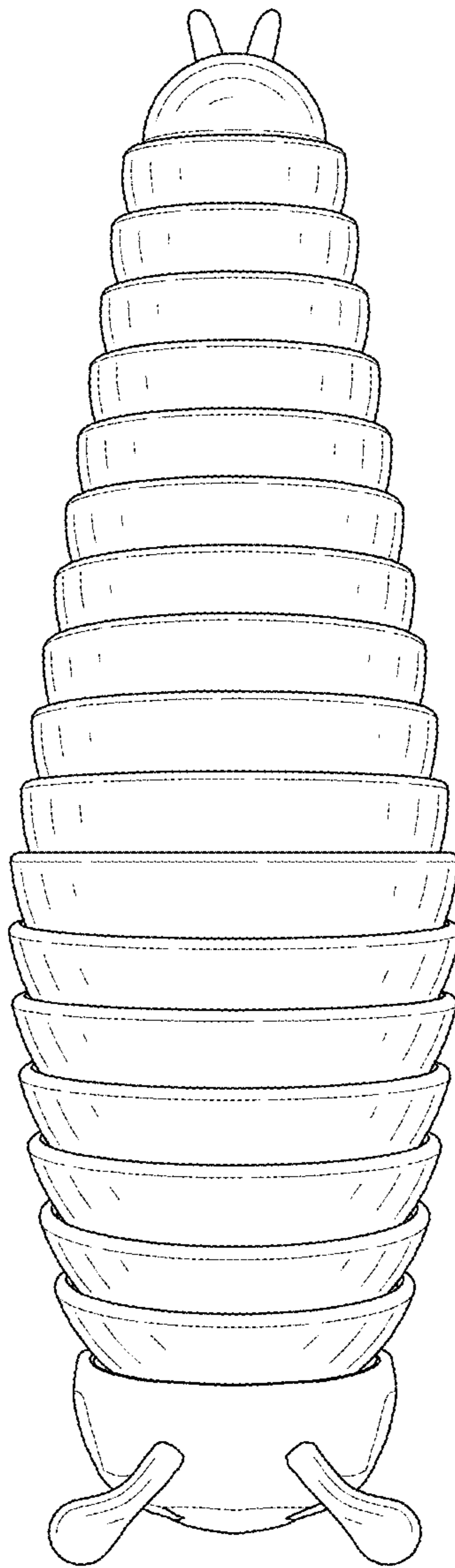


FIG. 6

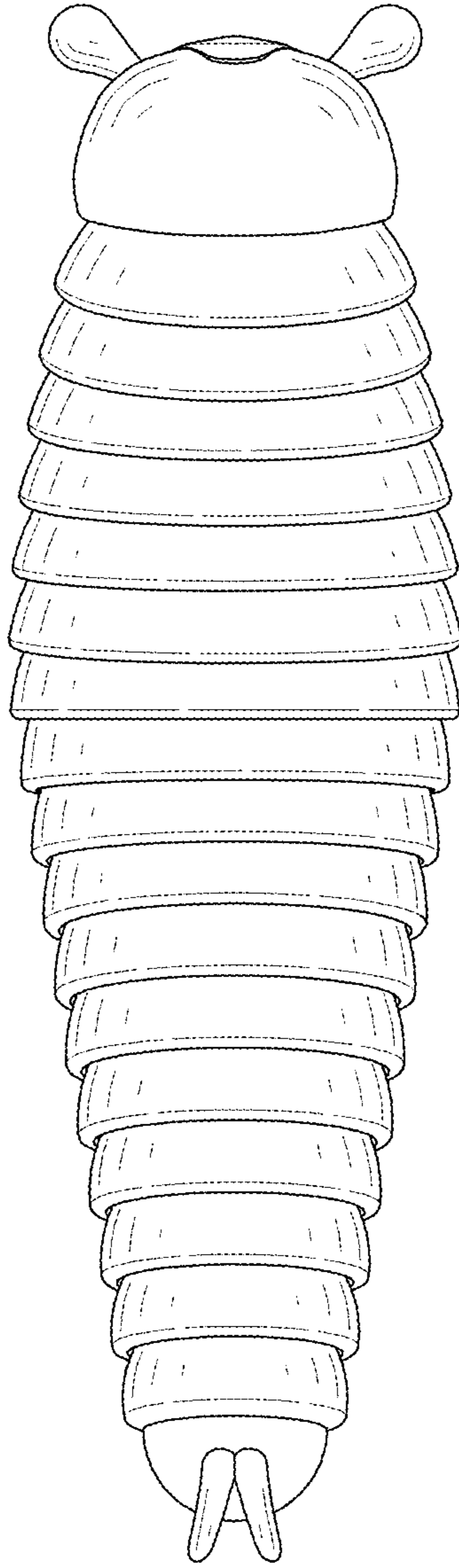


FIG. 7

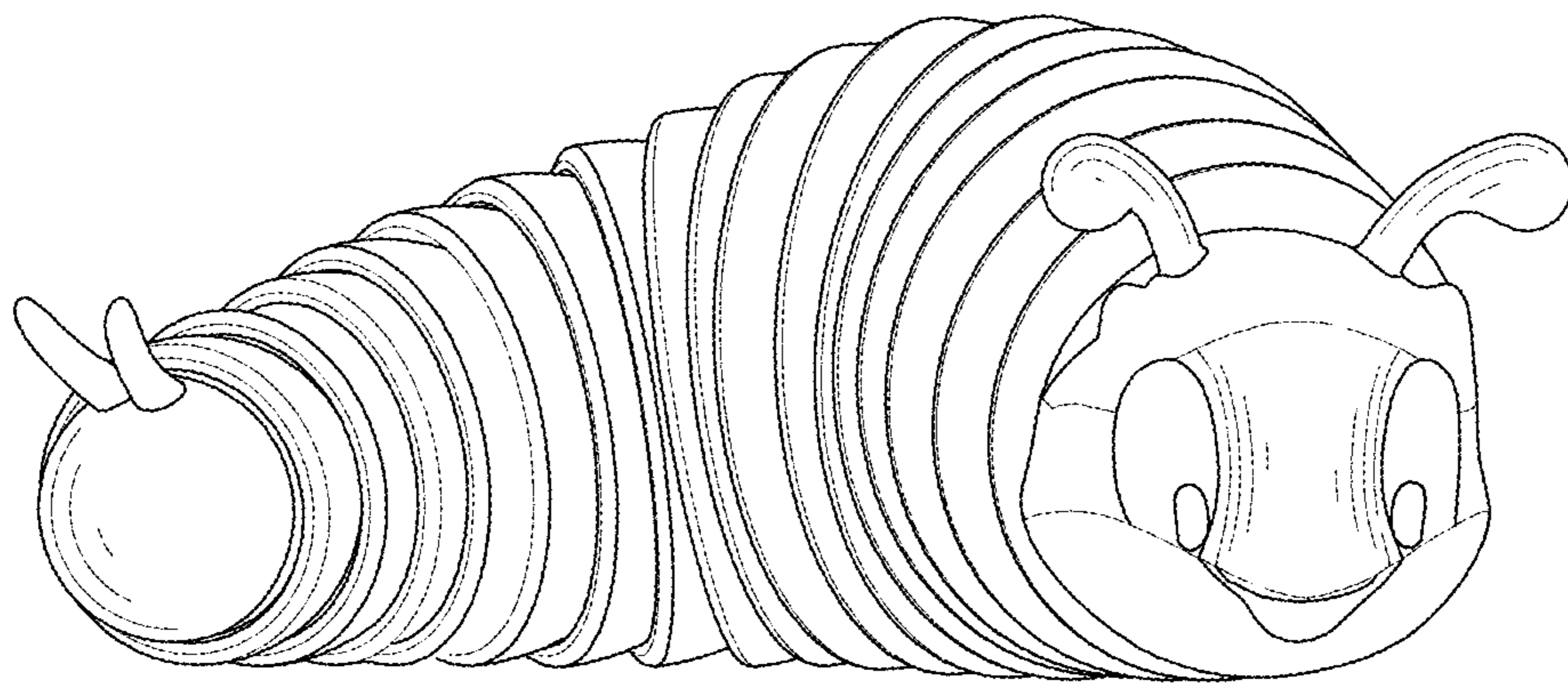


FIG. 8