



US00D975194S

(12) **United States Design Patent** (10) **Patent No.:** **US D975,194 S**
Xu (45) **Date of Patent:** **** Jan. 10, 2023**

(54) **TOY DUNE BUGGY**

(71) Applicant: **SHANTOU CITY CHENGHAI
JINGWEI INDUSTRIAL CO., LTD.,**
Shantou (CN)

(72) Inventor: **Yutao Xu**, Shantou (CN)

(**) Term: **15 Years**

(21) Appl. No.: **29/785,470**

(22) Filed: **May 26, 2021**

(30) **Foreign Application Priority Data**

May 8, 2021 (CN) 202130272539.3

(51) **LOC (14) Cl.** **21-01**

(52) **U.S. Cl.**
USPC **D21/432; D12/87**

(58) **Field of Classification Search**
USPC D21/419, 424, 432-434, 538, 548, 551;
D12/87
CPC B62K 9/00; B62K 5/01; A63H 30/00
See application file for complete search history.

(56) **References Cited**

U.S. PATENT DOCUMENTS

D292,009 S * 9/1987 Harrod D21/432
D299,663 S * 1/1989 Harrod D21/432
D307,610 S * 5/1990 Harrod D21/432
D327,512 S * 6/1992 Harrod D21/432
D423,059 S * 4/2000 Chuan D21/432
D423,603 S * 4/2000 Tasy D21/432
D429,774 S * 8/2000 Lerch D21/432
D445,843 S * 7/2001 Tse D21/432

D468,777 S * 1/2003 Wu D21/432
D534,591 S * 1/2007 Chung D21/432
D643,480 S * 8/2011 Lai D21/424
D762,146 S * 7/2016 Takeda D12/87
D870,209 S 12/2019 Chen
D870,823 S 12/2019 Manzoni
D885,493 S * 5/2020 Talios D21/432
D888,164 S 6/2020 Hu
2010/0167625 A1* 7/2010 Conway A63H 30/04
446/454
2013/0069337 A1* 3/2013 Person B60K 17/16
280/124.156

* cited by examiner

Primary Examiner — Cynthia M. Chin

(74) *Attorney, Agent, or Firm* — Rumit Ranjit Kanakia

(57) **CLAIM**

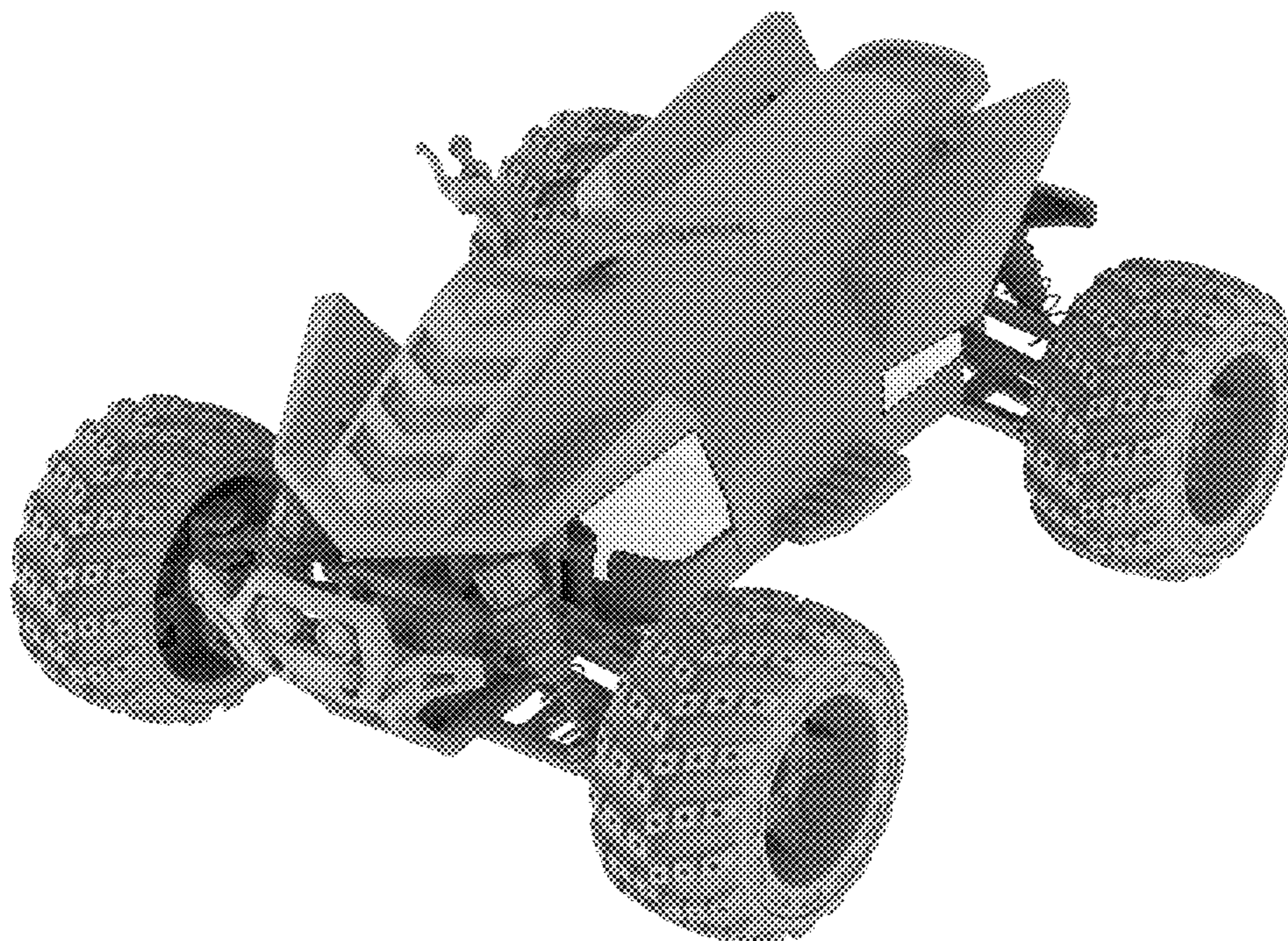
The ornamental design for a toy dune buggy, as shown and described.

DESCRIPTION

FIG. 1 is a first perspective view of a toy dune buggy showing my new design;
FIG. 2 is a second perspective view thereof;
FIG. 3 is a front view thereof;
FIG. 4 is a back view thereof;
FIG. 5 is a left side view thereof;
FIG. 6 is a right side view thereof;
FIG. 7 is a top view thereof; and,
FIG. 8 is a bottom view thereof.

Any broken lines represent boundaries of the claimed design. Areas bound in broken lines and shown in half-tone de-emphasized shading illustrates portions of the toy dune buggy that form no part of the claimed design. Neither the broken lines themselves nor the lightened areas contained within the broken lines form any part of the claimed design.

1 Claim, 8 Drawing Sheets



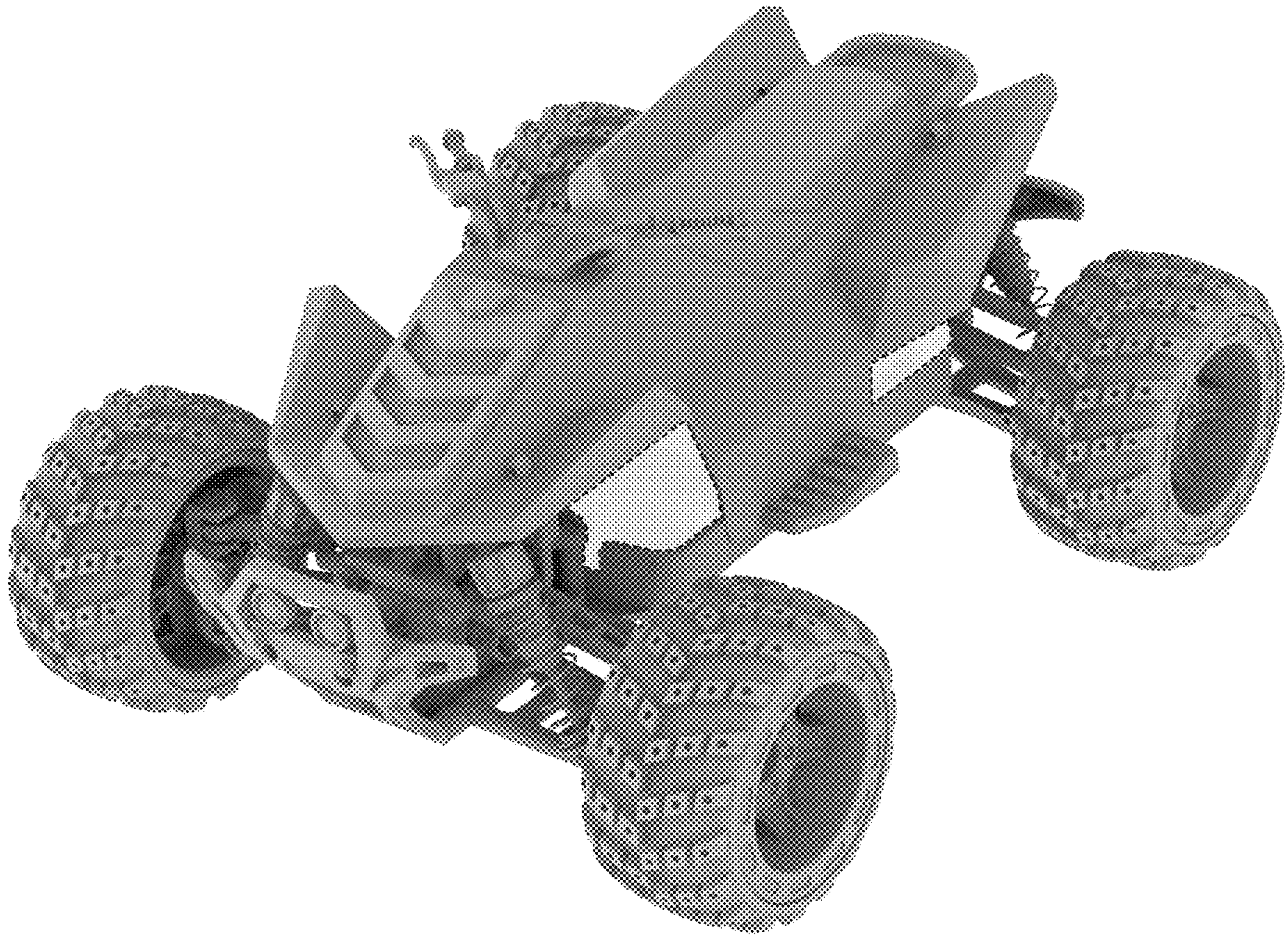


FIG. 1

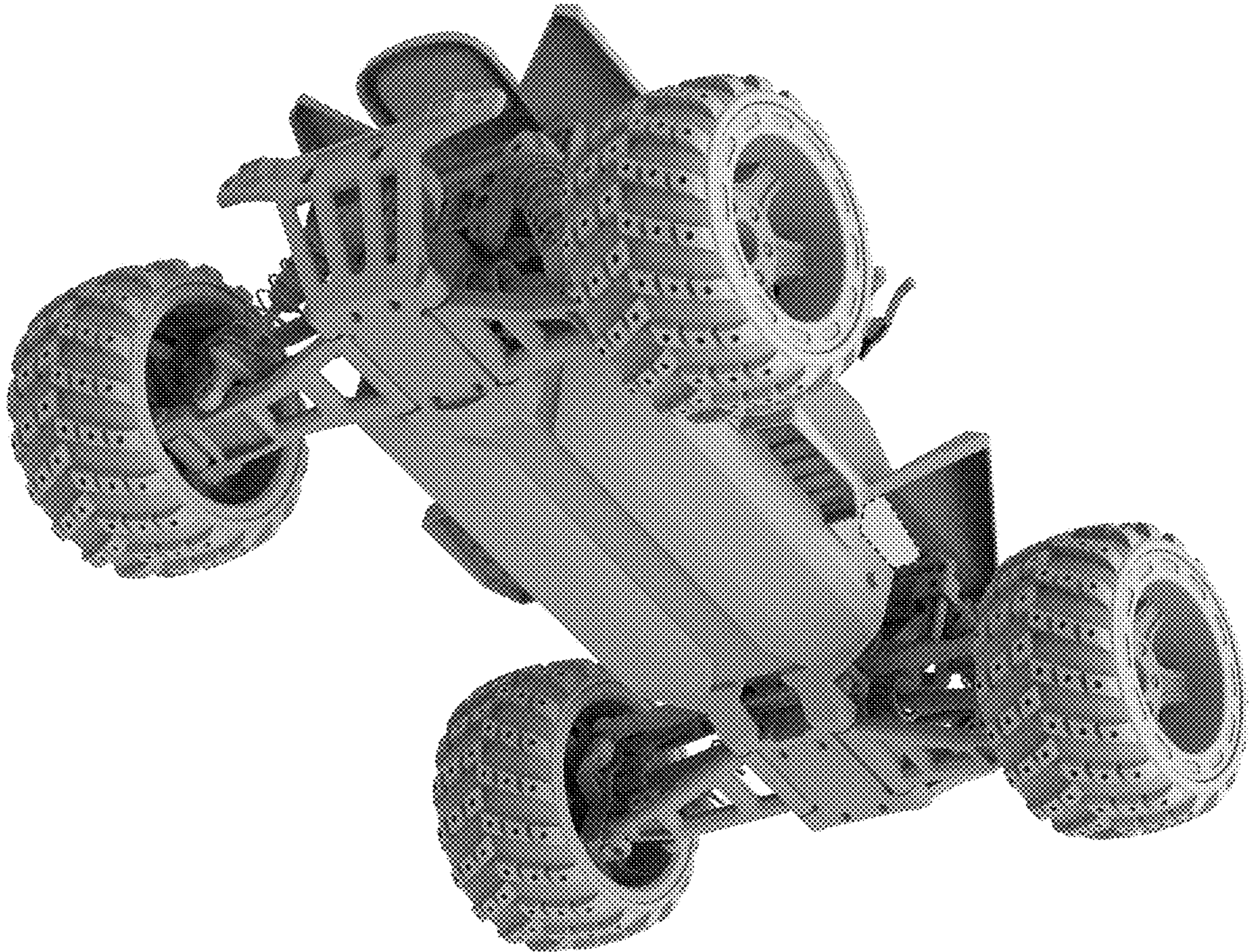


FIG. 2

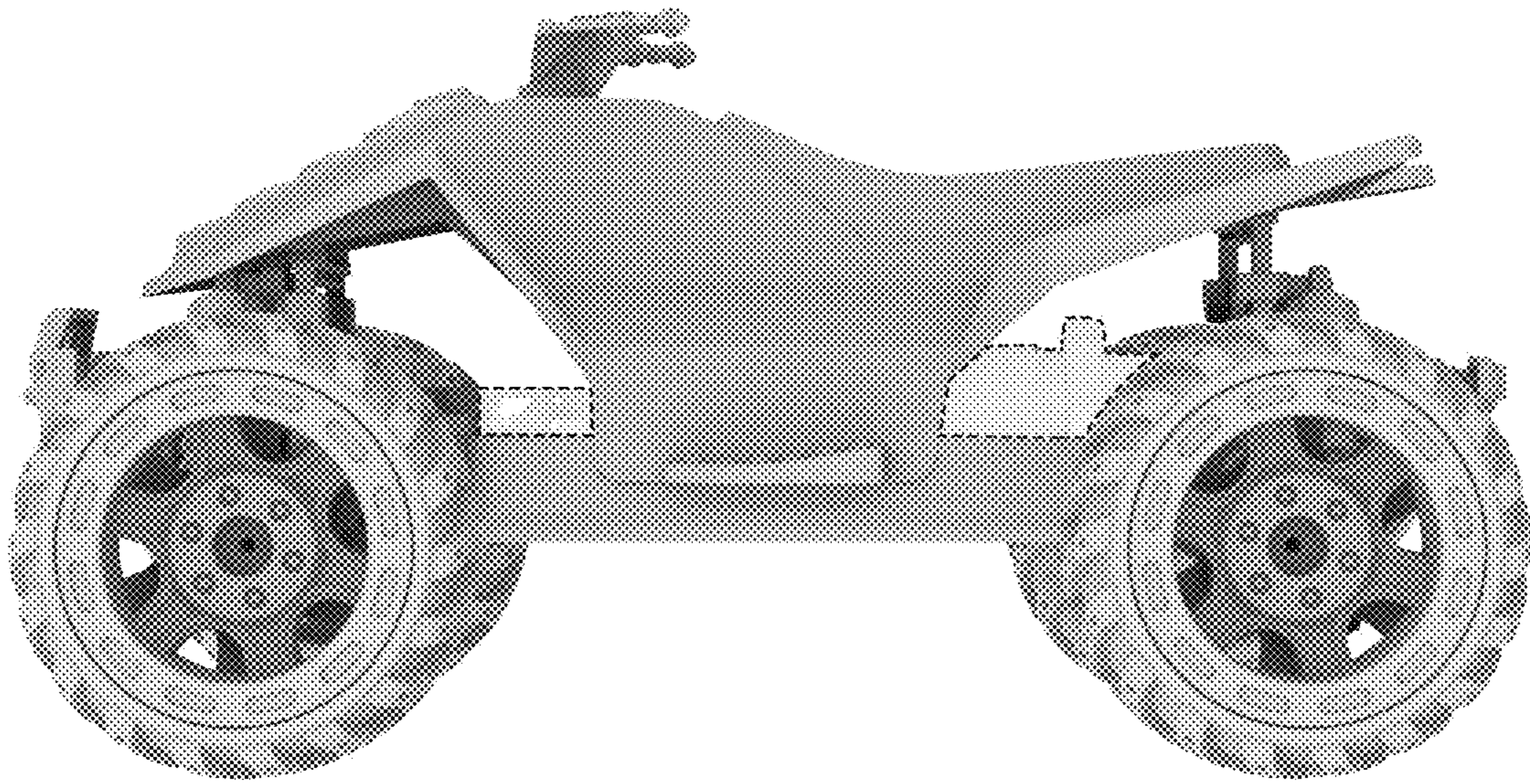


FIG. 3

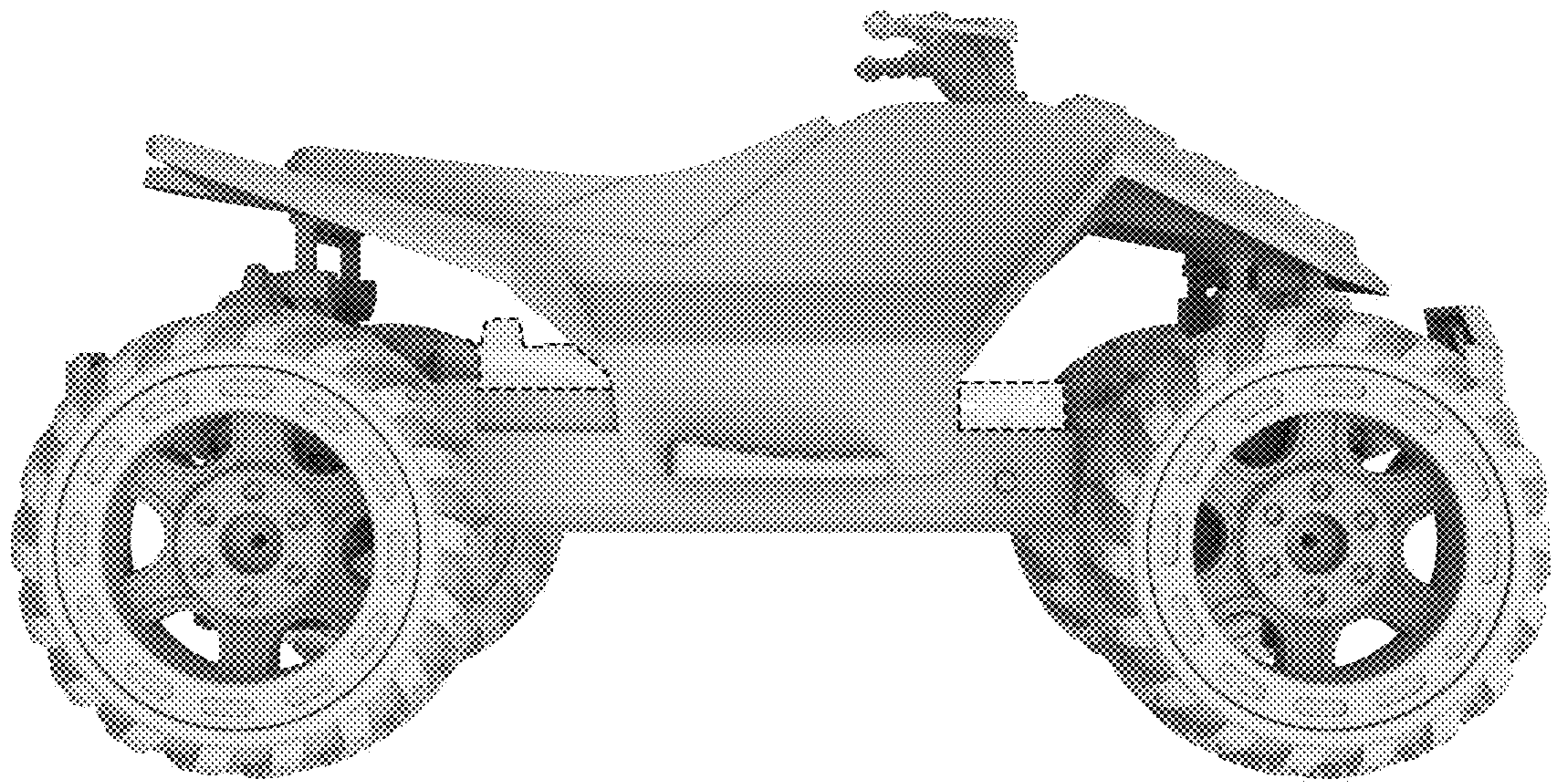


FIG. 4

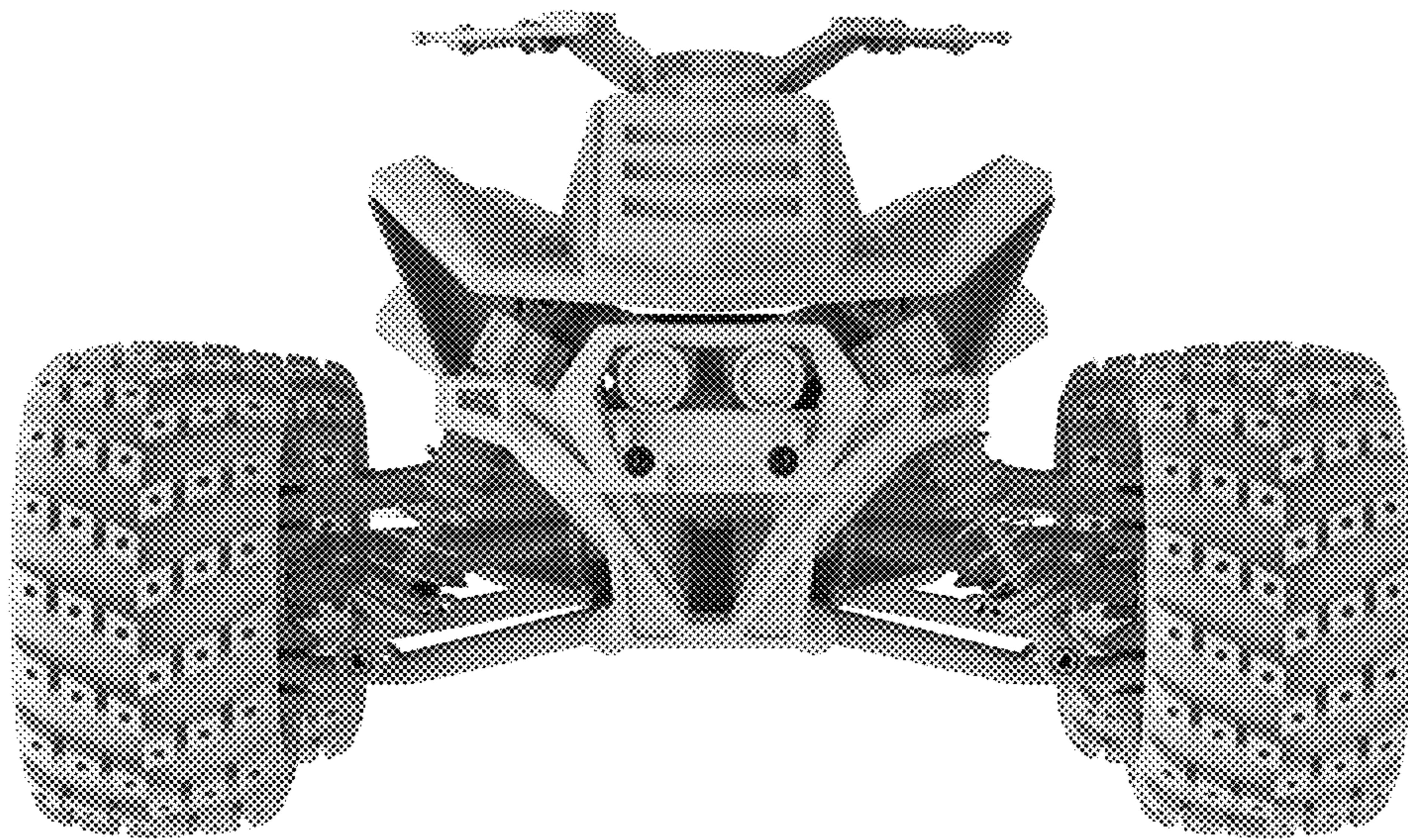


FIG. 5

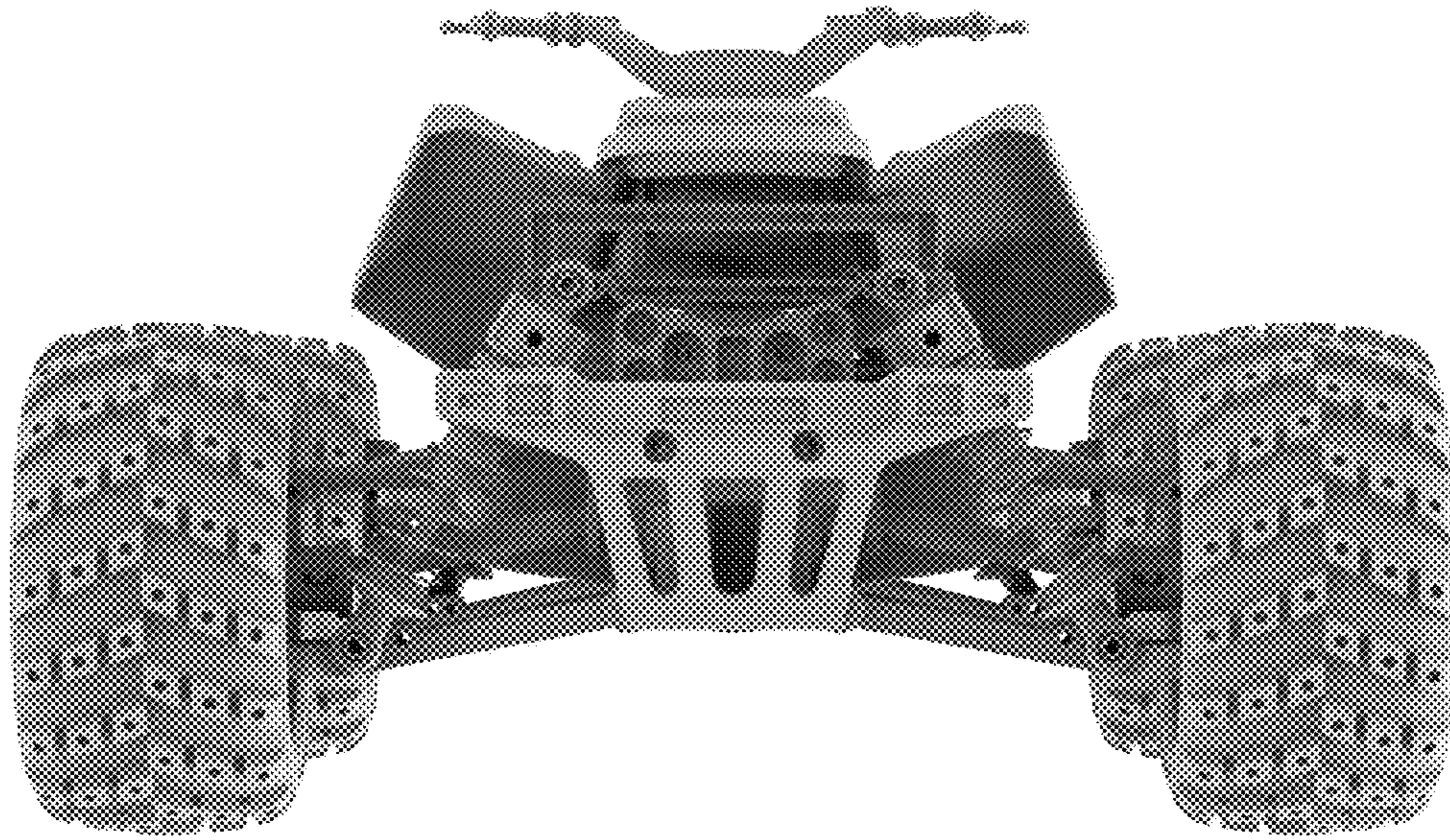


FIG. 6

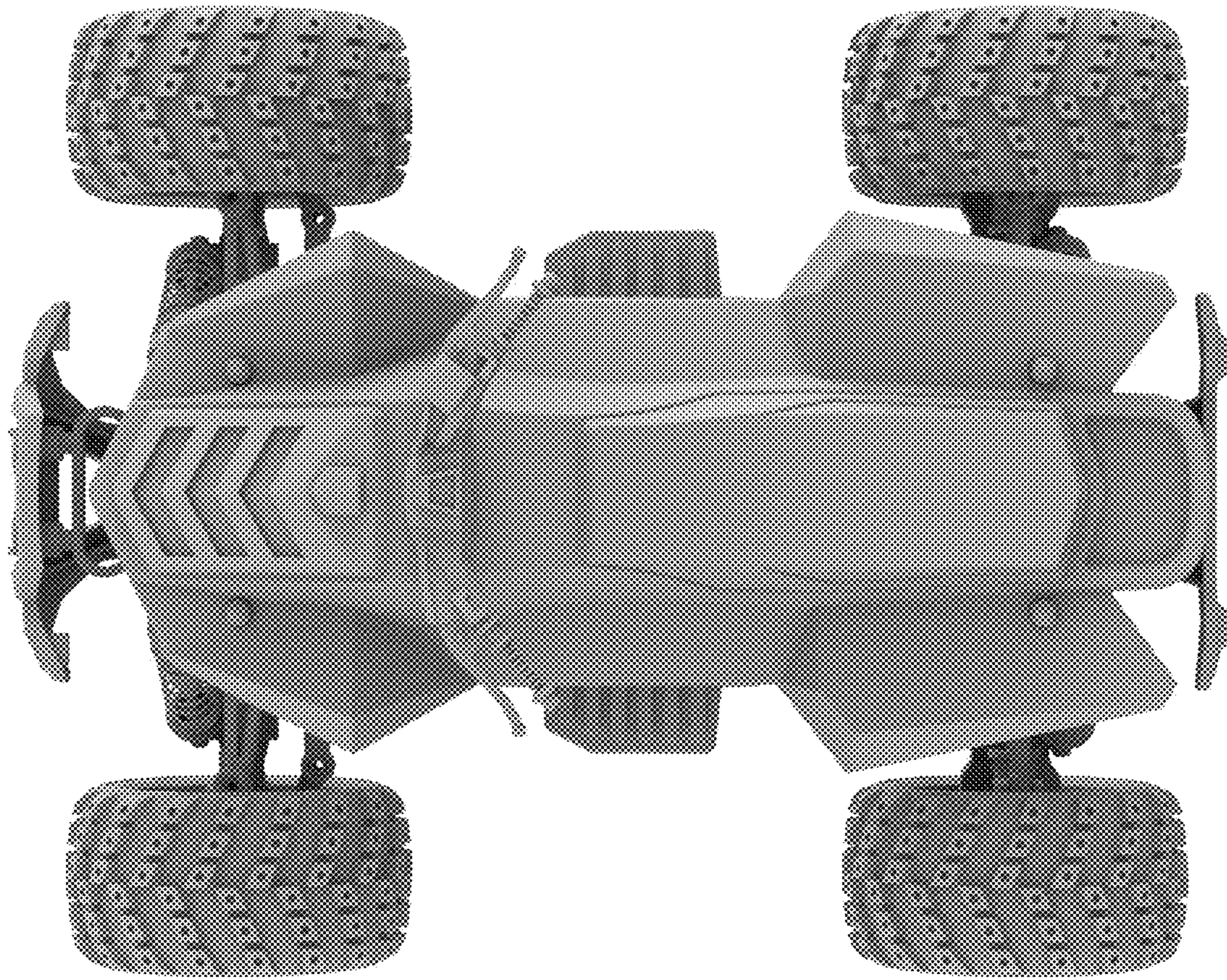


FIG. 7

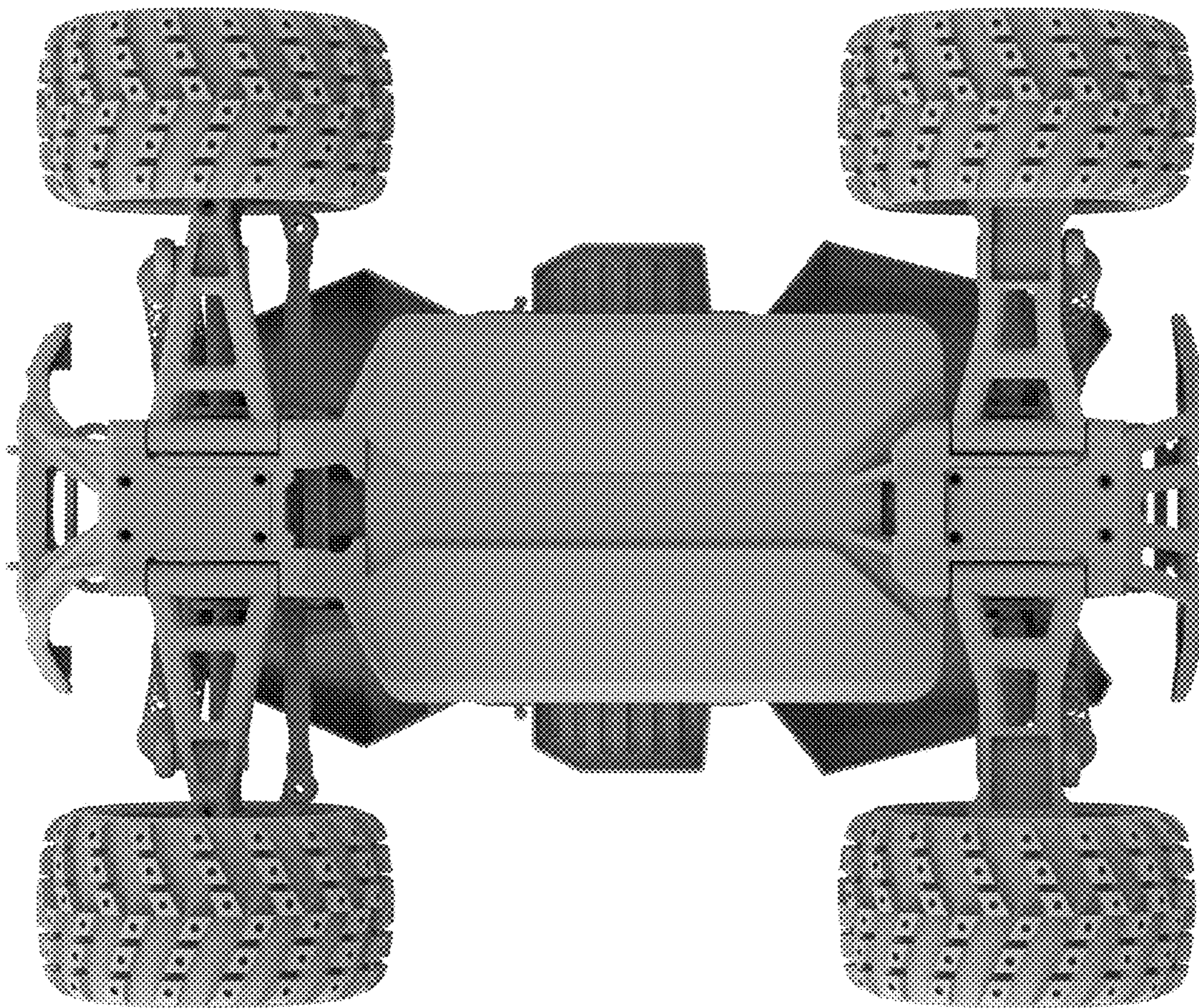


FIG. 8