



US00D975191S

(12) **United States Design Patent**  
**Wu et al.**

(10) **Patent No.:** **US D975,191 S**  
(45) **Date of Patent:** **\*\* Jan. 10, 2023**

(54) **SCOOTER**

(71) Applicant: **Golabs Inc.**, Carrollton, TX (US)

(72) Inventors: **Jianbing Wu**, Lishui (CN); **Wei Xu**,  
Lishui (CN); **Matao Cao**, Lishui (CN)

(73) Assignee: **GOLABS INC.**, Carrollton, TX (US)

(\*\*) Term: **15 Years**

(21) Appl. No.: **29/711,117**

(22) Filed: **Oct. 29, 2019**

(30) **Foreign Application Priority Data**

Jun. 22, 2019 (CN) ..... 201930326495.0

(51) **LOC (14) Cl.** ..... **21-01**

(52) **U.S. Cl.**  
USPC ..... **D21/423**

(58) **Field of Classification Search**  
USPC ..... D21/419, 421, 423, 432, 435, 760, 763,  
D21/765, 771; D12/1, 110  
CPC ..... B62K 3/002; B62K 9/00; B62K 2202/00;  
B62K 15/00; B62K 2015/001; B62K  
2015/003; B60Y 2200/126  
See application file for complete search history.

(56) **References Cited**

**U.S. PATENT DOCUMENTS**

D533,601 S \* 12/2006 Moreira ..... D21/423  
D654,542 S \* 2/2012 Chiu ..... D21/423

D656,203 S \* 3/2012 Chan ..... D21/423  
D727,434 S \* 4/2015 O'connell ..... D21/423  
D796,585 S \* 9/2017 Schaap ..... D21/423  
D831,751 S \* 10/2018 Xu ..... D21/423  
D832,930 S \* 11/2018 Shen ..... D21/423

\* cited by examiner

*Primary Examiner* — Cynthia M. Chin

(74) *Attorney, Agent, or Firm* — Muncy, Geissler, Olds &  
Lowe, P.C.

(57) **CLAIM**

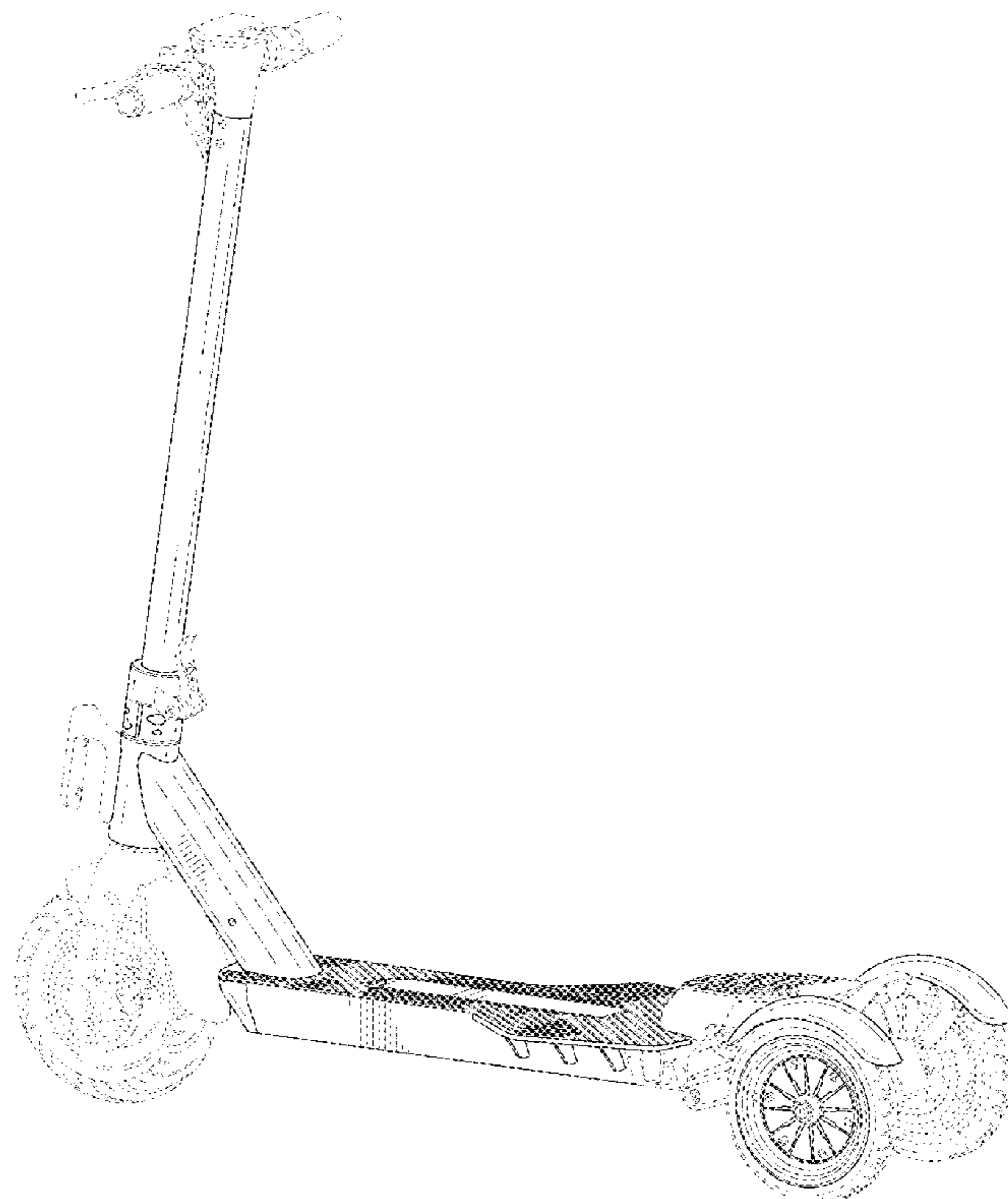
The ornamental design for a scooter, as shown and described.

**DESCRIPTION**

FIG. 1 is a perspective view of a scooter according to my new design;  
FIG. 2 is a front elevation view thereof;  
FIG. 3 is a rear elevation view thereof;  
FIG. 4 is a right side elevation view thereof;  
FIG. 5 is a left side elevation view thereof;  
FIG. 6 is a top plan view thereof; and,  
FIG. 7 is a bottom plan view thereof.

The broken lines are for the purpose of illustrating portions of the article that form no part of the claimed design.

**1 Claim, 7 Drawing Sheets**



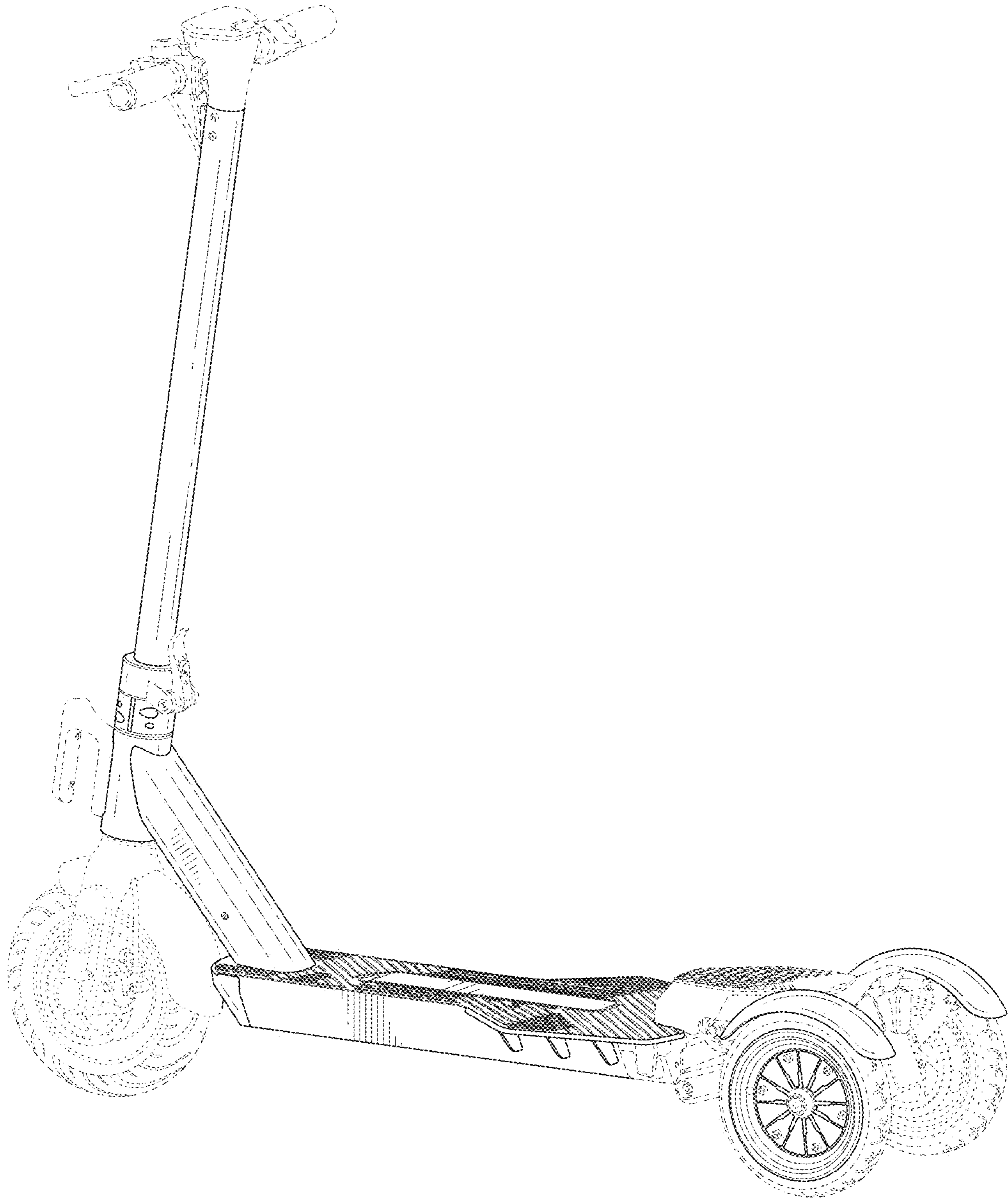


FIG. 1

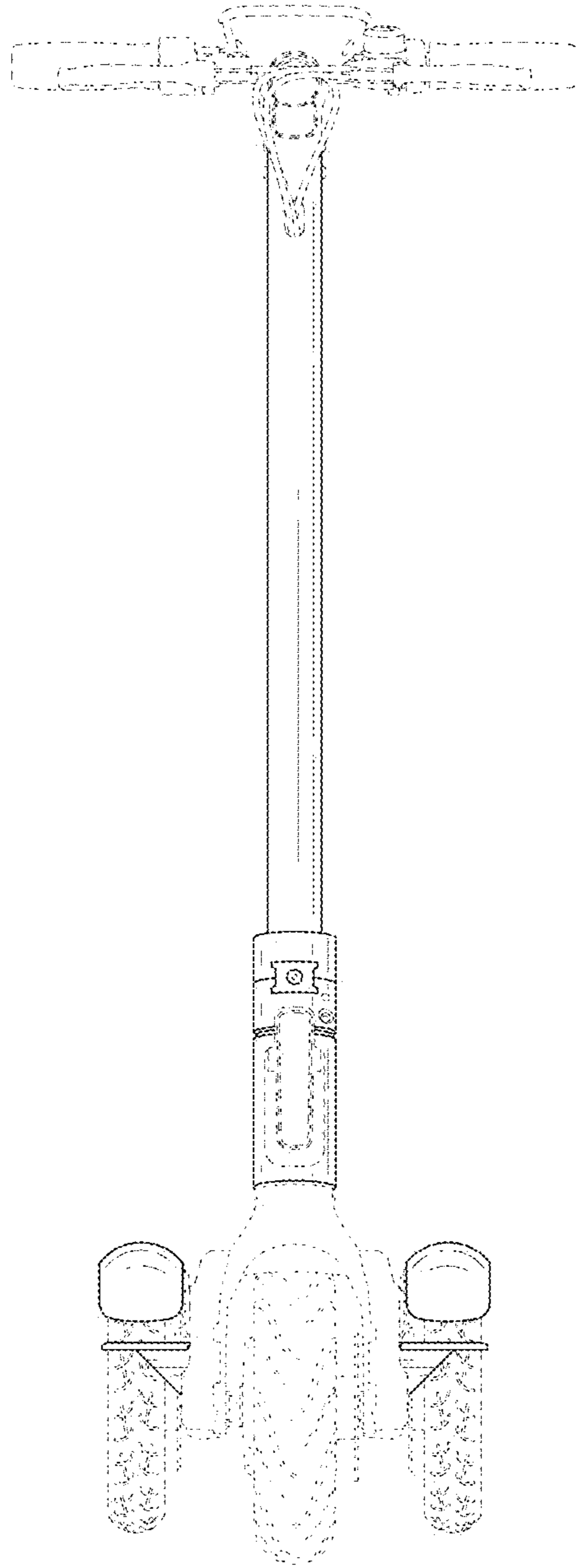


FIG.2

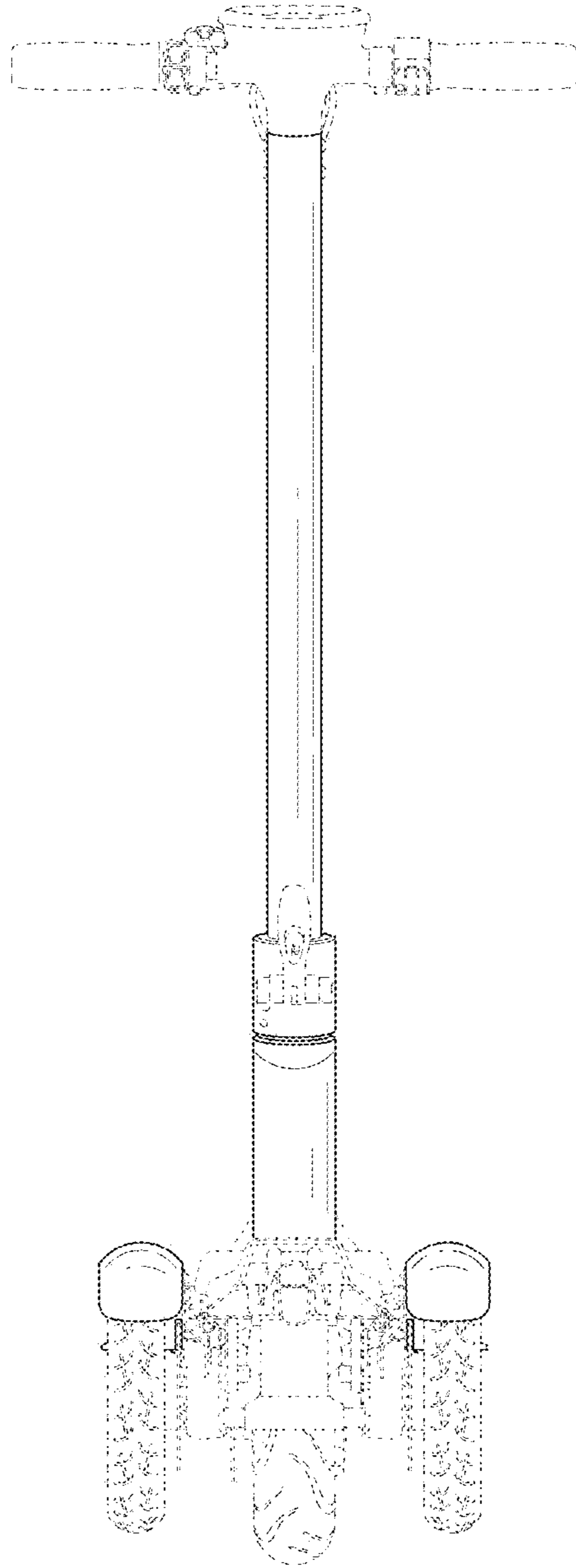


FIG. 3

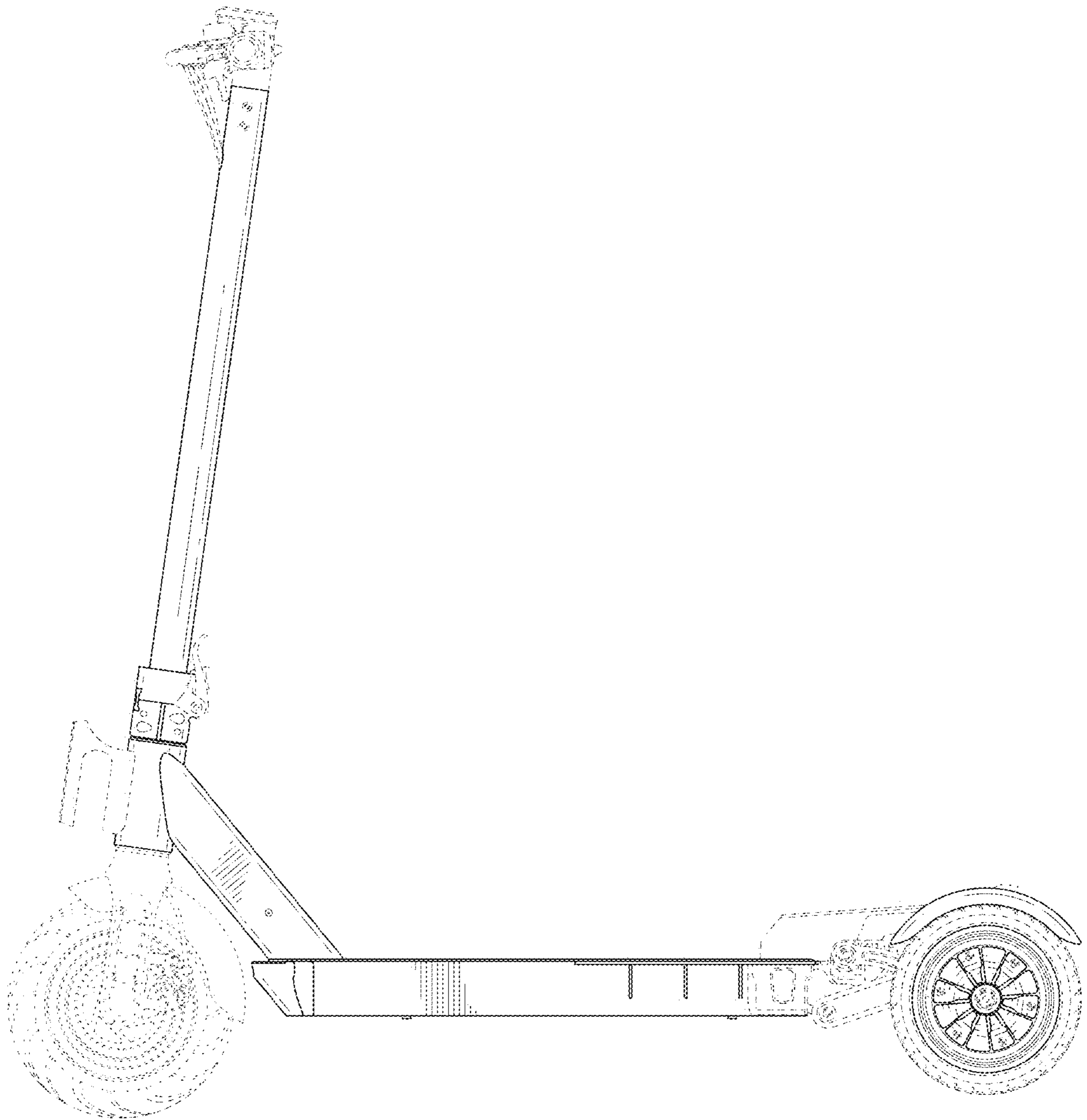


FIG.4

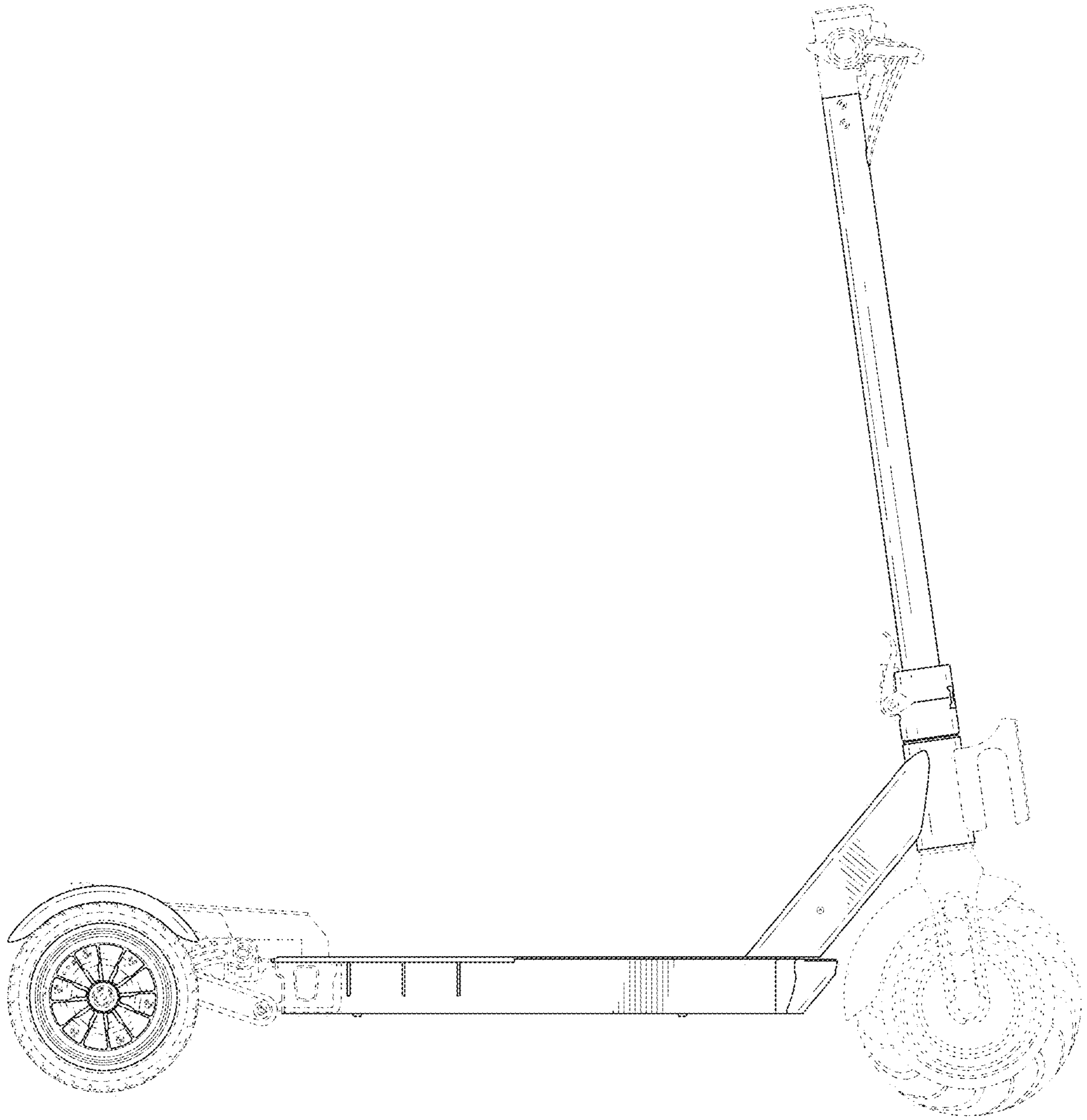


FIG.5

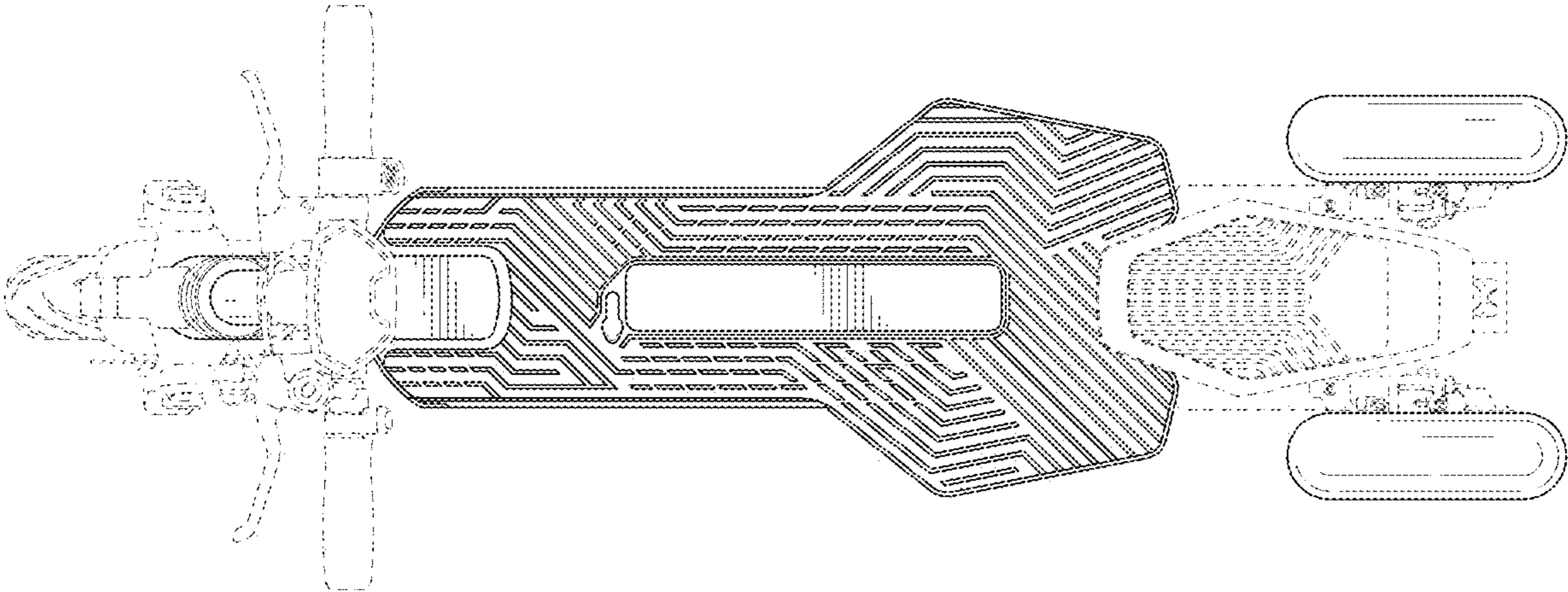


FIG. 6

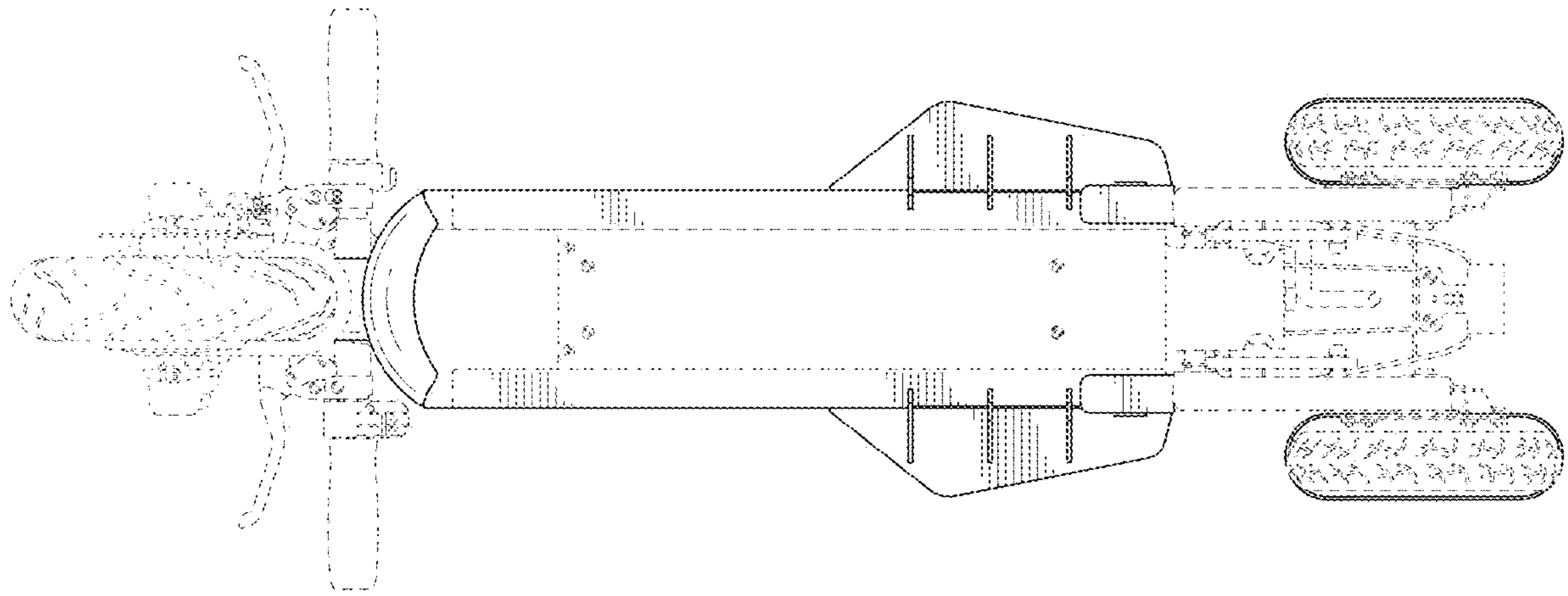


FIG. 7