



US00D975190S

(12) **United States Design Patent**  
**Yang**

(10) **Patent No.:** **US D975,190 S**  
(45) **Date of Patent:** **\*\* Jan. 10, 2023**

(54) **BUBBLE MACHINE**  
(71) Applicant: **Honor Metro Limited**, Kowloon (HK)  
(72) Inventor: **Nai Yang**, Temple City, CA (US)  
(73) Assignee: **HONOR METRO LIMITED**,  
Kowloon (HK)

2,736,988 A \* 3/1956 Fisher ..... A63H 33/28  
446/17  
2,942,375 A 6/1960 Bucic, Jr.  
3,401,858 A \* 9/1968 White ..... A47G 19/06  
206/561

(Continued)

(\*\*) Term: **15 Years**

FOREIGN PATENT DOCUMENTS

CA 2824412 A1 8/2012  
CN 2103358 U 5/1992

(Continued)

(21) Appl. No.: **29/724,967**

OTHER PUBLICATIONS

(22) Filed: **Feb. 20, 2020**  
(51) **LOC (14) Cl.** ..... **21-01**  
(52) **U.S. Cl.**  
USPC ..... **D21/401**

Funrise—Gazillion Bubble Storm, available on Kohls.com, customer oldest date 2019, [site visited Sep. 28, 2021], Available URL: <https://www.kohls.com/product/prd-4476930/> (Year: 2019).\*

(Continued)

(58) **Field of Classification Search**  
USPC ..... D21/401, 402; 446/15, 16, 17, 18, 19,  
446/20, 21; 261/30; D23/382; D7/399,  
D7/401, 500, 507, 512, 553.4, 553.5,  
D7/553.6, 553.8, 554.1, 554.2, 304, 309;  
D6/524, 525, 526, 528, 529, 551;  
D30/129, 132  
CPC . A63H 33/28; A47K 5/00; A47K 5/18; A47G  
19/22; A47G 19/2283

*Primary Examiner* — Dana K Weiland  
*Assistant Examiner* — Emily Anna Saunders  
(74) *Attorney, Agent, or Firm* — Belles Katz LLC

(57) **CLAIM**

The ornamental design for a bubble machine, as shown and described.

**DESCRIPTION**

See application file for complete search history.

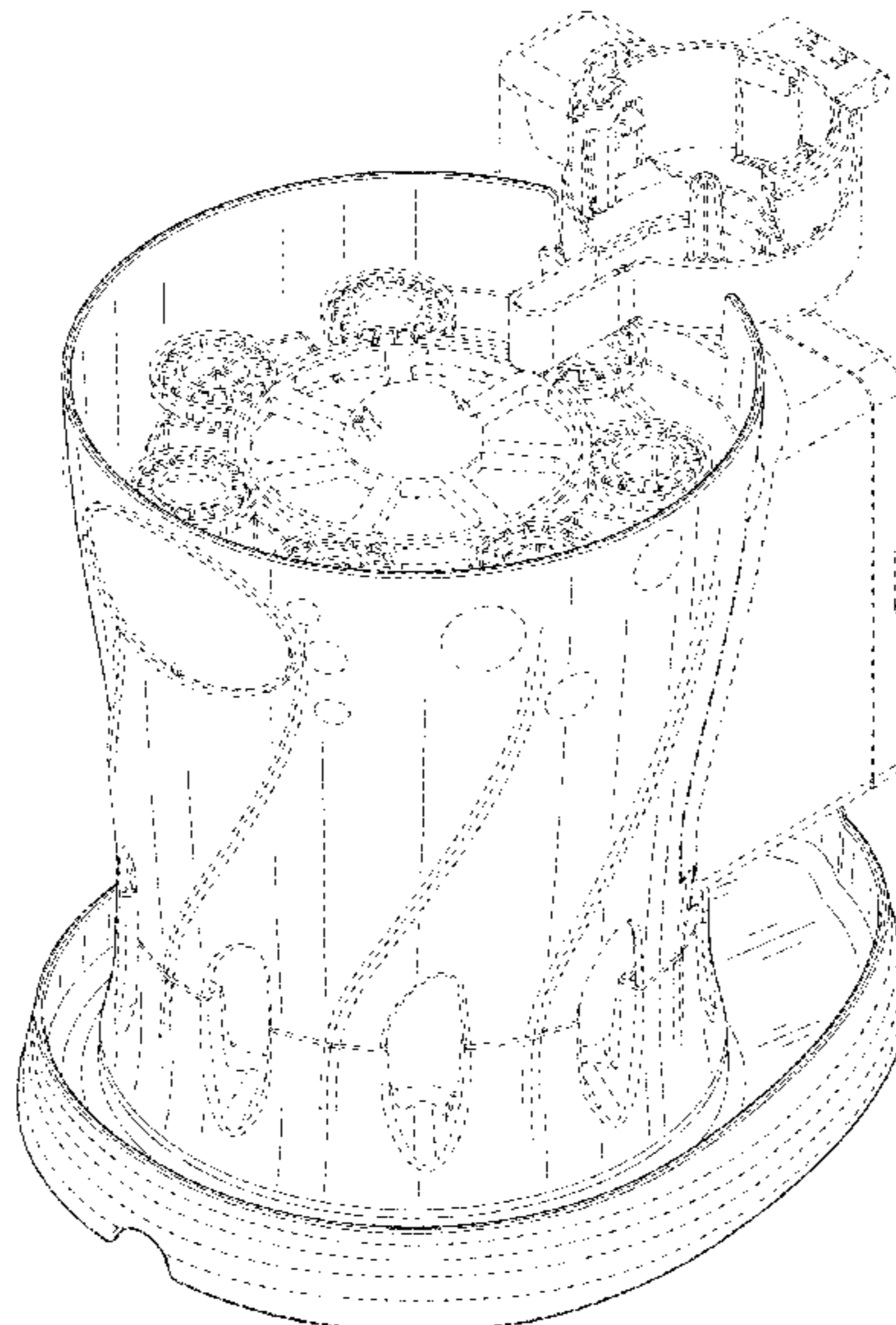
FIG. 1 is a front perspective view of a bubble machine according to my new design;  
FIG. 2 is a rear perspective view thereof;  
FIG. 3 is a front view thereof;  
FIG. 4 is a rear view thereof;  
FIG. 5 is a right side view thereof;  
FIG. 6 is a left side view thereof;  
FIG. 7 is a top view thereof; and,  
FIG. 8 is a bottom view thereof.  
The dashed lines illustrate portions of the bubble machine that form no part of the claimed design. The dot-dash broken lines define the bounds of the claimed design and form no part thereof.

(56) **References Cited**

U.S. PATENT DOCUMENTS

1,994,859 A \* 3/1935 Langum ..... A01M 1/2016  
119/900  
D126,997 S \* 5/1941 Bemtzem ..... D30/129  
2,412,732 A \* 12/1946 Holman ..... A63H 33/28  
40/408  
2,452,794 A 11/1948 Saachy  
D153,814 S \* 5/1949 Margolis ..... D20/32  
D154,921 S \* 8/1949 Haffner ..... D7/399  
D154,922 S \* 8/1949 Haffner ..... D7/399  
2,632,281 A 3/1953 Schmidt, Jr.

**1 Claim, 8 Drawing Sheets**



(56)

References Cited

U.S. PATENT DOCUMENTS

4,044,496 A 8/1977 Jernstrom  
 4,133,138 A \* 1/1979 Coons ..... A63H 33/28  
 446/16  
 4,775,348 A 10/1988 Collins  
 4,839,014 A \* 6/1989 Park ..... B01D 46/12  
 204/265  
 4,840,143 A \* 6/1989 Simon ..... A01K 5/0225  
 43/131  
 D334,251 S \* 3/1993 Tiu ..... D7/589  
 D353,166 S 12/1994 Kwak  
 D368,627 S \* 4/1996 McSpadden ..... D7/553.6  
 D371,643 S \* 7/1996 Lillelund ..... D30/122  
 D374,480 S \* 10/1996 Micoley ..... D23/356  
 5,832,969 A \* 11/1998 Schramm ..... A63H 33/28  
 141/98  
 D419,204 S \* 1/2000 Bao ..... D21/401  
 6,102,764 A 8/2000 Thai  
 6,200,184 B1 3/2001 Rich et al.  
 6,328,286 B1 12/2001 Sanchez et al.  
 6,331,130 B1 12/2001 Thai  
 6,450,851 B1 9/2002 Rehkemper  
 D490,861 S 6/2004 Buzzelli  
 6,820,662 B2 11/2004 Crawford  
 7,021,986 B2 4/2006 Thai  
 7,144,291 B2 12/2006 Thai  
 7,172,484 B2 2/2007 Thai  
 D577,808 S \* 9/2008 Chang ..... D23/382  
 D608,437 S \* 1/2010 Wawoe ..... D23/382  
 7,780,497 B2 8/2010 Thai  
 D637,362 S \* 5/2011 Gunn ..... D30/129  
 D642,629 S \* 8/2011 Lo ..... D21/401  
 D643,477 S \* 8/2011 Lo ..... D21/401  
 8,123,584 B2 2/2012 Thai  
 8,272,915 B2 9/2012 Thai  
 8,272,916 B2 9/2012 Thai  
 8,555,814 B2 \* 10/2013 Parks ..... A01K 39/026  
 119/51.01  
 8,985,054 B2 \* 3/2015 Lipscomb ..... A01K 45/002  
 119/74  
 D750,939 S \* 3/2016 Kellow, Jr. .... D7/557  
 9,339,737 B2 5/2016 Chan  
 D781,659 S \* 3/2017 Kellow, Jr. .... D7/557  
 D785,393 S \* 5/2017 Palermo ..... D7/311  
 D790,009 S 6/2017 Lo et al.  
 9,878,262 B2 \* 1/2018 Chan ..... A63H 33/28  
 D827,213 S \* 8/2018 Veness ..... D30/132  
 10,363,492 B1 7/2019 Thai  
 D858,901 S \* 9/2019 Zhong ..... D30/132  
 10,702,787 B2 7/2020 Thai  
 10,702,788 B2 \* 7/2020 Thai ..... A63H 33/28  
 D893,634 S \* 8/2020 Zhang ..... D21/401  
 D896,894 S \* 9/2020 Yang ..... D21/401  
 D903,080 S \* 11/2020 Morton ..... D23/366  
 D924,982 S \* 7/2021 Yang ..... D21/401  
 11,278,823 B2 \* 3/2022 Clayton ..... A63H 29/22  
 D960,645 S \* 8/2022 Ji ..... D7/510  
 2002/0115372 A1 \* 8/2002 Thai ..... A63H 33/28  
 446/16  
 2003/0116224 A1 \* 6/2003 Crawford ..... A63H 33/28  
 141/352

2009/0163109 A1 \* 6/2009 Thai ..... A63H 33/28  
 446/16  
 2009/0209163 A1 \* 8/2009 Thai ..... A63H 33/28  
 446/15  
 2010/0173558 A1 7/2010 Huey  
 2011/0081821 A1 \* 4/2011 Temiz ..... A63H 33/28  
 446/16  
 2012/0214378 A1 \* 8/2012 Lo ..... A63H 33/28  
 446/15  
 2012/0220184 A1 \* 8/2012 Orem ..... A63H 33/28  
 446/16  
 2014/0027528 A1 \* 1/2014 Attey ..... F24F 6/14  
 239/1  
 2014/0326723 A1 \* 11/2014 Scharfe ..... A47G 19/06  
 220/574  
 2015/0130089 A1 \* 5/2015 Westphal ..... A01M 1/2027  
 261/30  
 2015/0133021 A1 \* 5/2015 Huey ..... A63H 33/28  
 446/15  
 2015/0265940 A1 \* 9/2015 Chan ..... A63H 33/28  
 446/16  
 2018/0272245 A1 9/2018 Pogue  
 2020/0061487 A1 \* 2/2020 Thai ..... A63H 33/28  
 2020/0139262 A1 \* 5/2020 Yang ..... A63H 33/28  
 2020/0155957 A1 \* 5/2020 Clayton ..... A63H 29/22  
 2021/0129040 A1 \* 5/2021 Chan ..... A63H 33/28  
 2021/0260496 A1 \* 8/2021 Yang ..... A63H 33/28

FOREIGN PATENT DOCUMENTS

CN 2907803 Y 6/2007  
 CN 2907813 Y 6/2007  
 CN 2930817 Y 8/2007  
 CN 201055703 Y 5/2008  
 CN 20167639 Y 6/2008  
 CN 202427173 U 9/2012  
 CN 306522852 \* 5/2021  
 CN 306762167 \* 8/2021  
 EP 2921213 A1 \* 9/2015 ..... A63H 33/28  
 EP 2921213 A1 9/2015  
 WO WO 2004/012831 A2 2/2004  
 WO WO-2017001711 A1 \* 1/2017 ..... A47G 19/22

OTHER PUBLICATIONS

Gazillion 36540, available on Amazon.com, date first available Feb. 20, 2020, [site visited Sep. 27, 2021], Available URL: <https://www.amazon.co.uk/Gazillion-36540-Bubble-Storm/dp/B0844PQ6ZZ/> (Year: 2020).\*

Gazillion Tornado, available on Amazon.co.uk, date first available Mar. 13, 2015, [site visited Mar. 2, 2022], URL: <https://www.amazon.co.uk/Gazillion-Bubbles-Tornado-Bubble-Toy/dp/B00QCHRE2C/> (Year: 2015).\*

Gazillion Bubble Storm, available on Amazon.com, date first available Feb. 5, 2020, [site visited Sep. 27, 2021], Available URL: <https://www.amazon.com/Gazillion-Bubble-Storm-Making-Machine/dp/B0844PQ6ZZ/> (Year: 2020).\*

UCORN Rocket Bubble Machine, available on Amazon.com, customer oldest review with photo Nov. 10, 2020, [site visited Mar. 2, 2022], URL: <https://www.amazon.com/dp/B09333F96D/> (Year: 2020).\*

\* cited by examiner

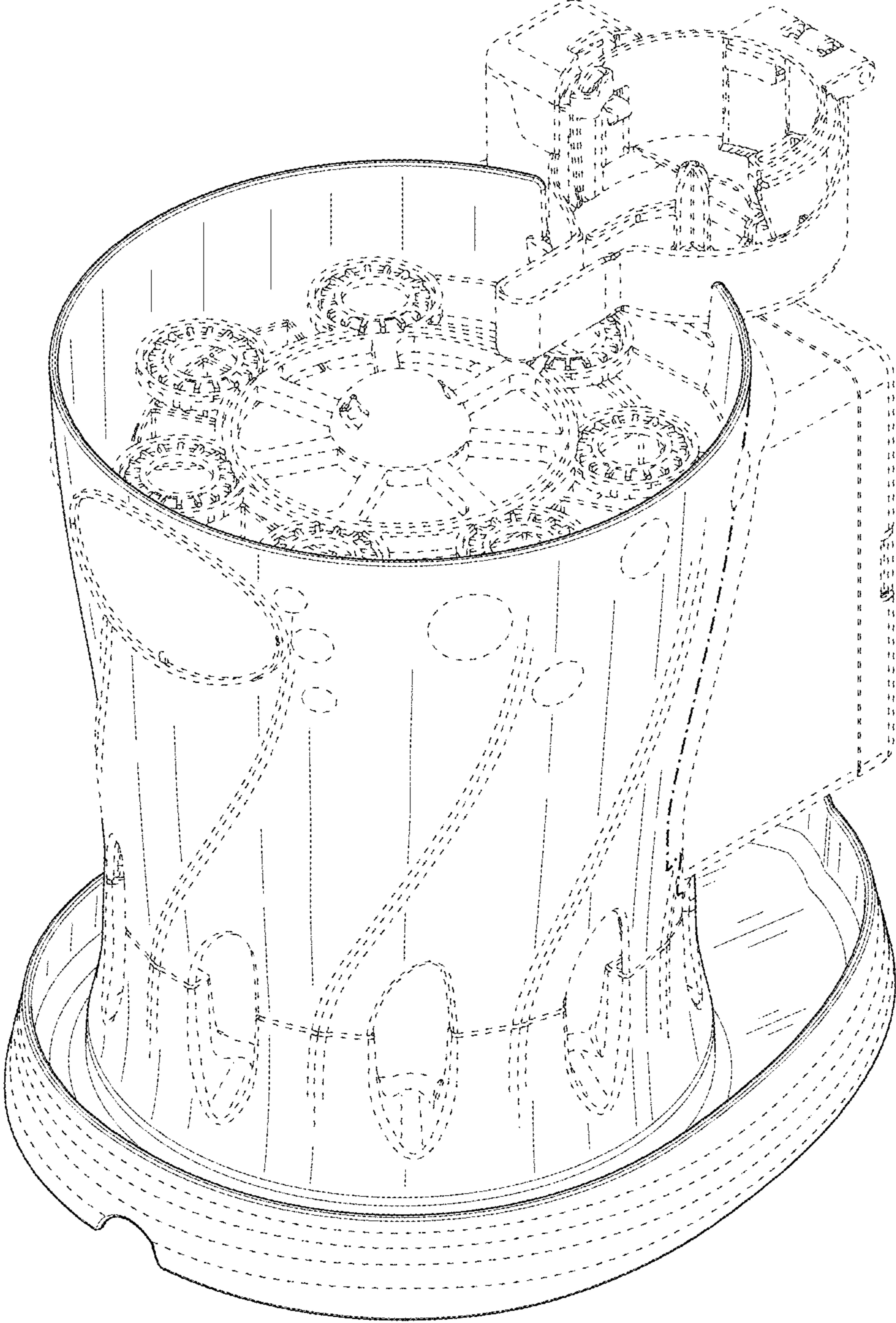


FIG. 1

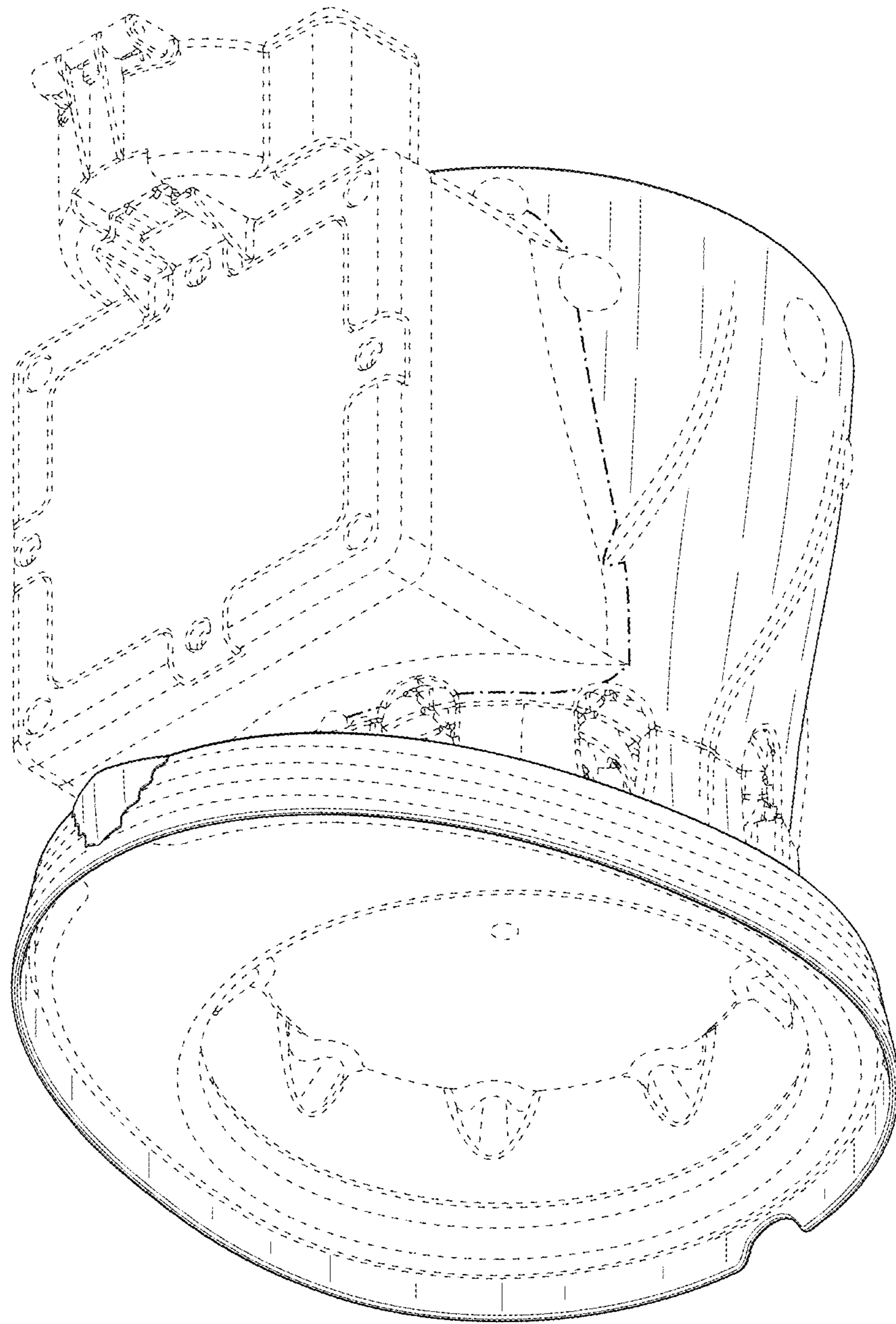


FIG. 2

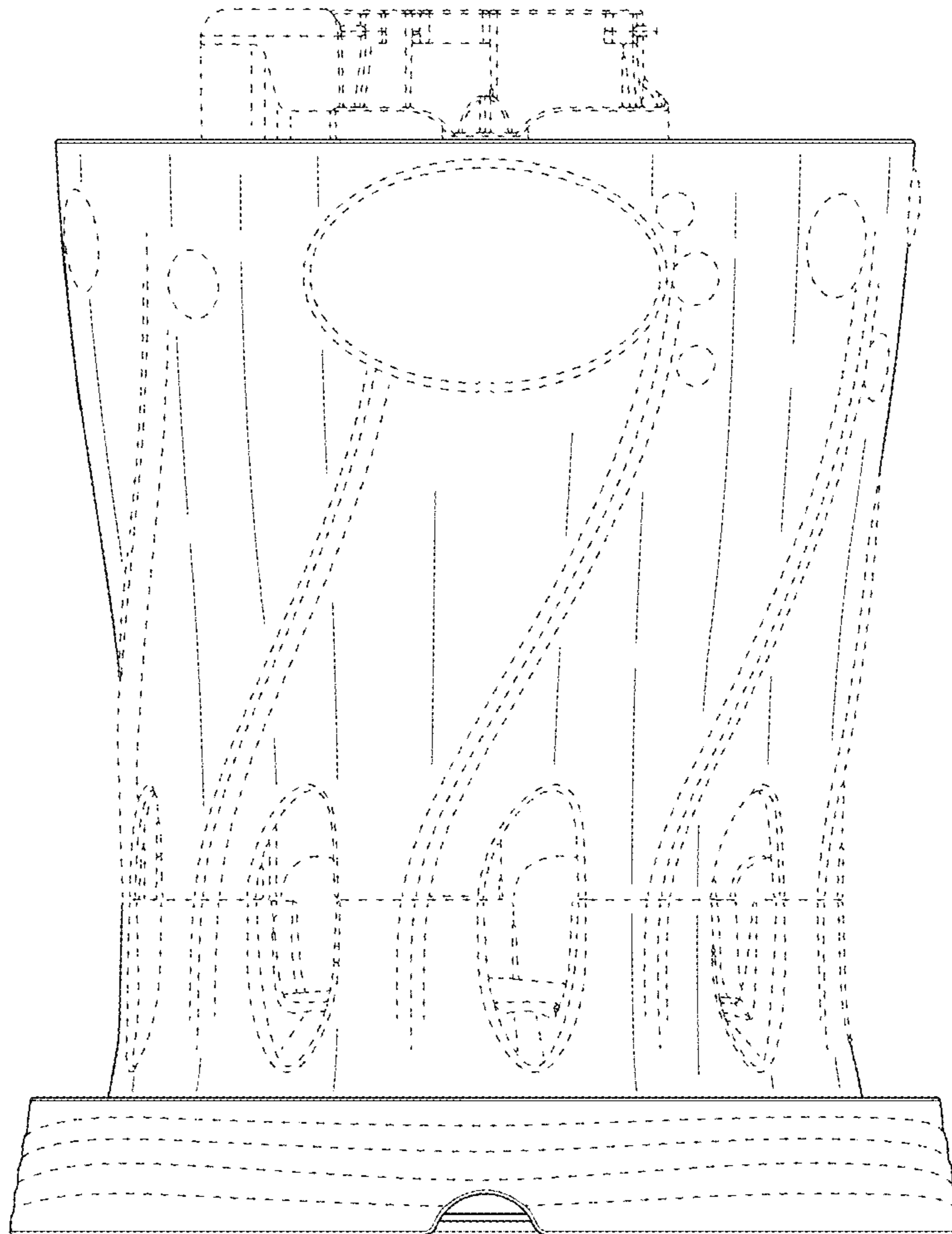


FIG. 3

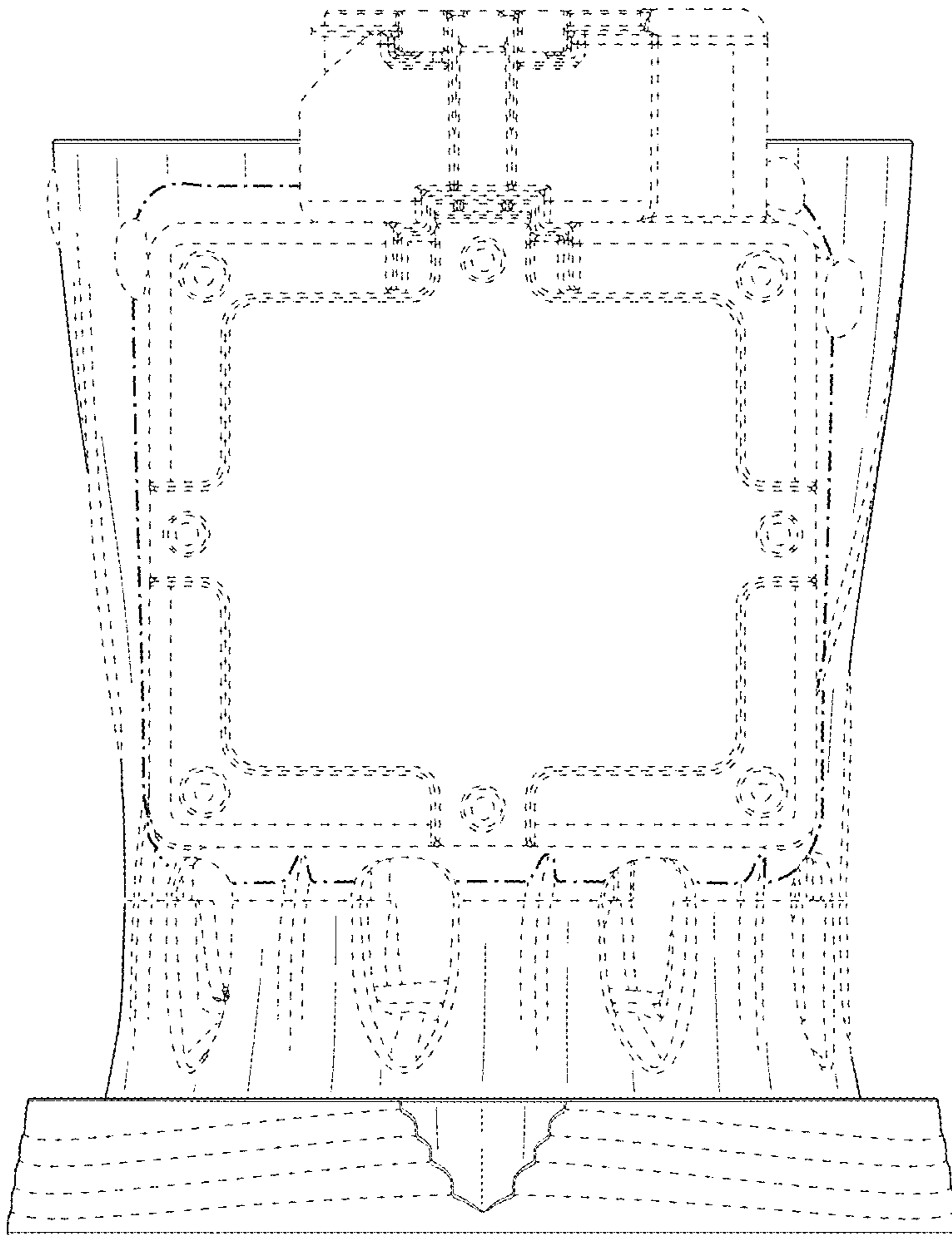


FIG. 4

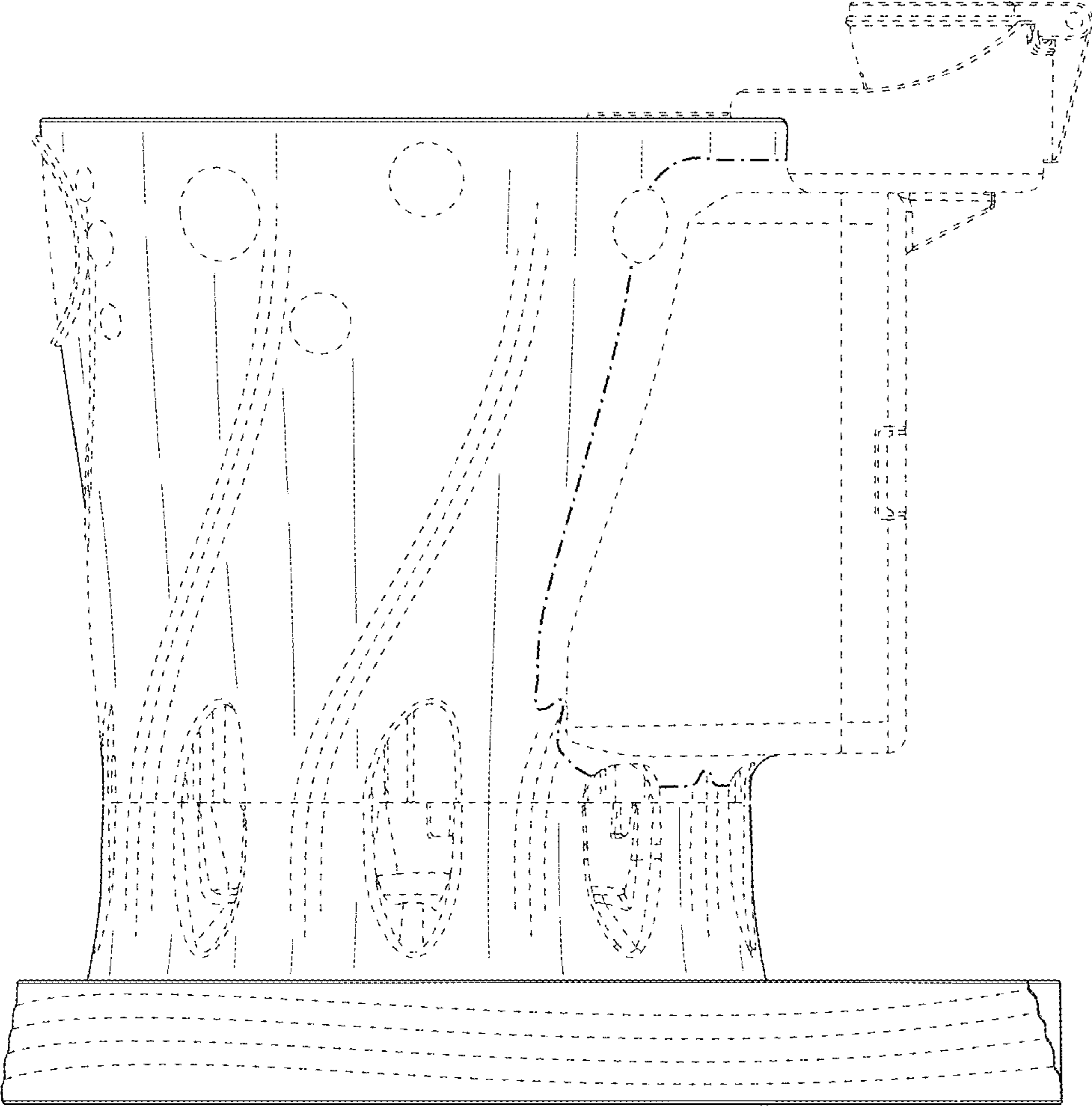


FIG. 5

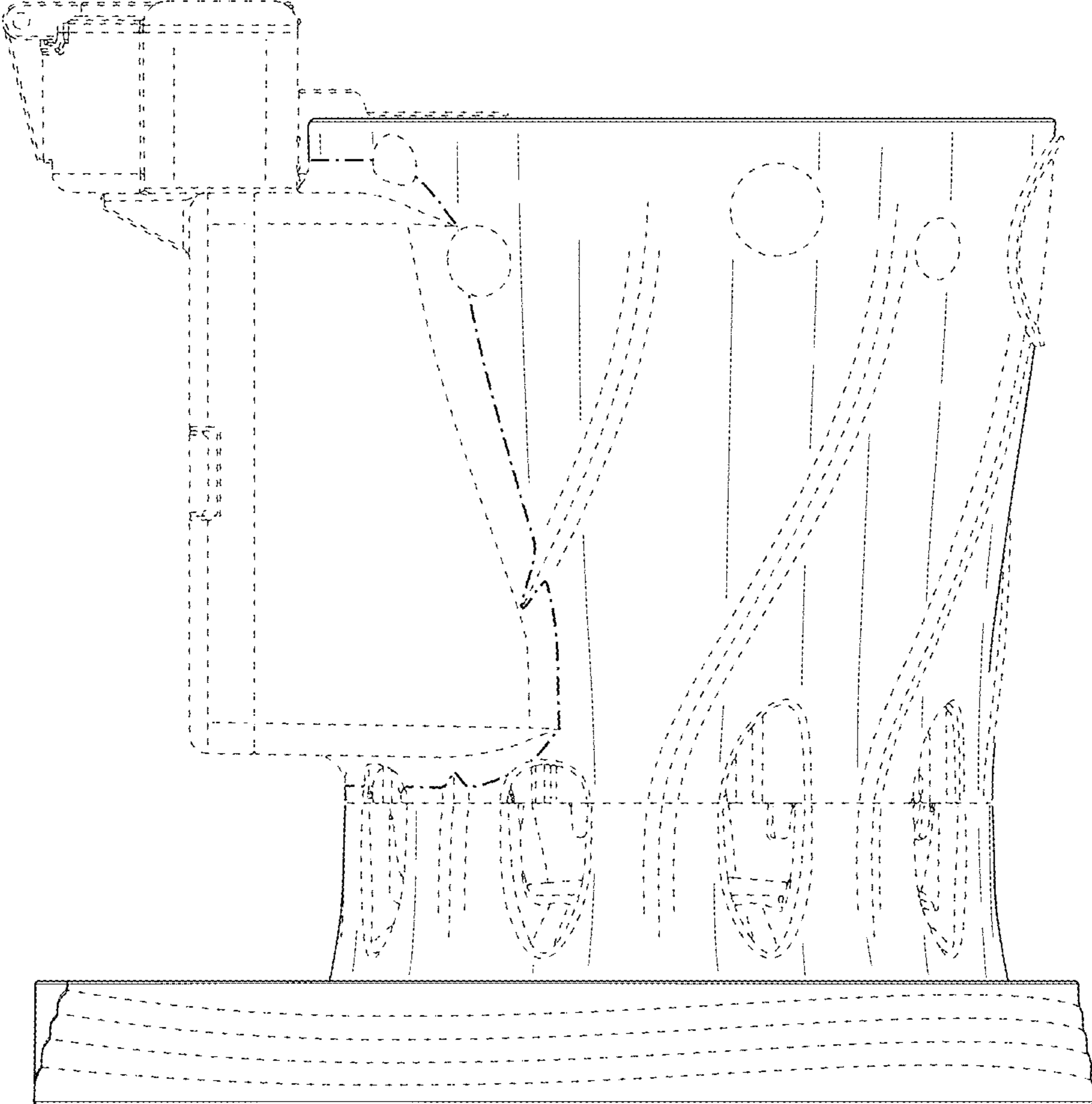


FIG. 6



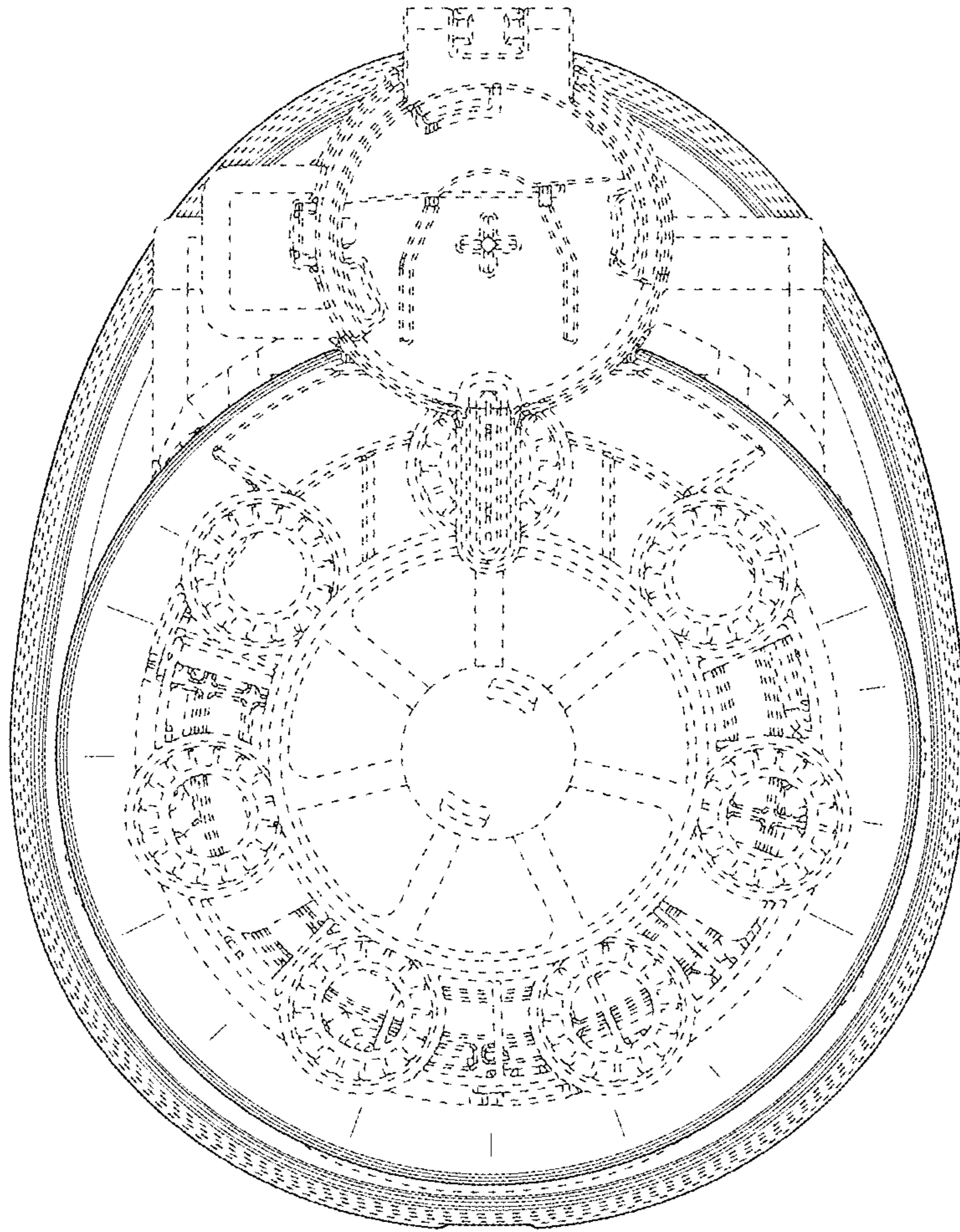


FIG. 7

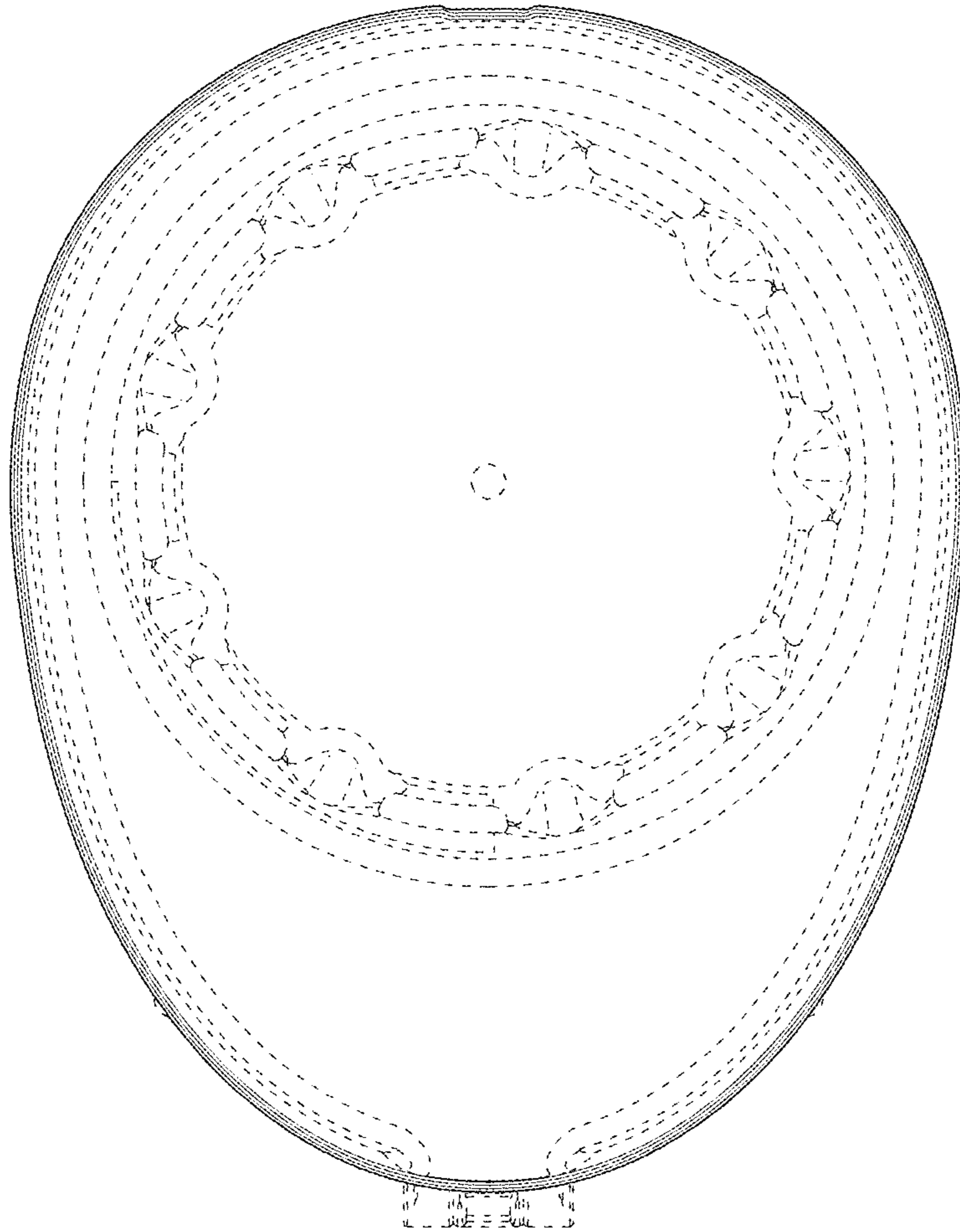


FIG. 8