



US00D975189S

(12) **United States Design Patent** (10) **Patent No.:** **US D975,189 S**  
**Liao** (45) **Date of Patent:** **\*\* Jan. 10, 2023**

(54) **HANDLE FOR GAME CONTROLLER**

(71) Applicant: **Huimei Liao**, Shenzhen (CN)

(72) Inventor: **Huimei Liao**, Shenzhen (CN)

(\*\*) Term: **15 Years**

(21) Appl. No.: **29/864,070**

(22) Filed: **May 8, 2022**

(51) **LOC (14) Cl.** ..... **21-01**

(52) **U.S. Cl.**  
USPC ..... **D21/333**

(58) **Field of Classification Search**  
USPC ..... D21/324, 328, 329, 330, 331, 333, 341,  
D21/342, 349, 386; D14/203.5, 218, 250,  
D14/299, 322, 341, 345, 346, 353, 354,  
D14/374, 375, 376, 401, 421, 432, 440,  
D14/443, 463, 493; D22/100, 103–105;  
D13/162, 162.1, 168; D10/78, 98, 103  
CPC ..... A45C 13/00; A45C 13/001; A45C 13/002;  
A63F 13/10; A63F 13/98; A63F 13/24;  
A63F 9/0291  
See application file for complete search history.

(56) **References Cited**

**U.S. PATENT DOCUMENTS**

D567,243 S *	4/2008	Ashida	.....	D21/333
D772,986 S *	11/2016	Chen	.....	D21/333
D780,807 S *	3/2017	Chen	.....	D21/333
9,678,566 B2 *	6/2017	Webb	.....	G06F 3/0308
D795,959 S *	8/2017	Chen	.....	D21/333
D800,841 S *	10/2017	Chen	.....	D21/333
D802,055 S *	11/2017	Chen	.....	D21/333
D804,579 S *	12/2017	Britt	.....	D14/401
D804,580 S *	12/2017	Britt	.....	D14/401
D806,173 S *	12/2017	Britt	.....	D14/401
D812,693 S *	3/2018	Chen	.....	D21/333
D813,203 S *	3/2018	Hardi	.....	D14/218
D814,370 S *	4/2018	Kim	.....	D12/174

D815,209 S *	4/2018	Chen	.....	D21/333
D815,697 S *	4/2018	Chen	.....	D21/333
D835,104 S *	12/2018	Chen	.....	D14/401
D840,360 S *	2/2019	Scott	.....	D13/168
D844,608 S *	4/2019	Chen	.....	D21/333
D844,609 S *	4/2019	Bristol	.....	D21/333
D851,086 S *	6/2019	Chen	.....	D14/401
D864,301 S *	10/2019	Wei	.....	D21/333
D866,554 S *	11/2019	Lo	.....	D21/333
D882,529 S *	4/2020	Scott	.....	D13/168
D883,283 S *	5/2020	Chen	.....	D21/333
D885,386 S *	5/2020	Wei	.....	D21/333
D887,410 S *	6/2020	Lo	.....	D21/333
D888,056 S *	6/2020	Wei	.....	D21/333
D891,429 S *	7/2020	Hsu	.....	D21/333

(Continued)

*Primary Examiner* — Mehri F Bajoul

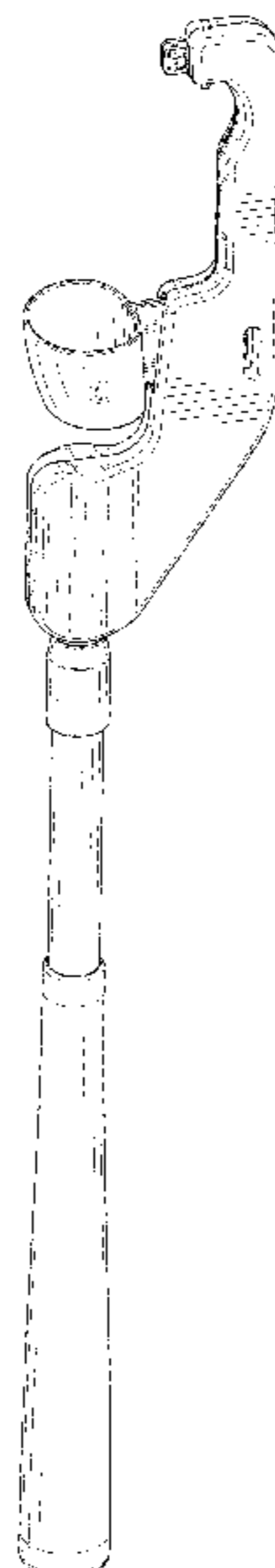
(57) **CLAIM**

The ornamental design for a handle for game controller, as shown and described.

**DESCRIPTION**

FIG. 1 is a perspective view of a handle for game controller showing my new design;  
FIG. 2 is another perspective view thereof;  
FIG. 3 is a front elevational view thereof;  
FIG. 4 is a rear elevational view thereof;  
FIG. 5 is a left side elevational view thereof;  
FIG. 6 is a right side elevational view thereof;  
FIG. 7 is a top plan view thereof;  
FIG. 8 is a bottom plan view thereof; and,  
FIG. 9 is a perspective view of the handle for game controller where the handle for game controller is in a configuration of use.  
The long-short dash broken lines in FIG. 9 showing of the game controller depict environment and form no part of the claimed design. The dash-dash broken lines in the drawings depict portions of the handle for game controller that form no part of the claimed design.

**1 Claim, 9 Drawing Sheets**



(56)

## References Cited

## U.S. PATENT DOCUMENTS

D891,437 S \* 7/2020 Chen ..... D21/333  
D898,027 S \* 10/2020 Lo ..... D21/333  
D899,424 S \* 10/2020 Chen ..... D21/333  
D900,042 S \* 10/2020 Scott ..... D13/168  
D901,502 S \* 11/2020 Kim ..... D21/333  
D903,667 S \* 12/2020 Wei ..... D21/333  
D904,406 S \* 12/2020 Wei ..... D21/333  
D904,519 S \* 12/2020 Adams ..... D21/333  
D905,164 S \* 12/2020 Adams ..... D21/333  
D905,165 S \* 12/2020 Adams ..... D21/333  
D905,166 S \* 12/2020 Adams ..... D21/333  
D905,167 S \* 12/2020 Adams ..... D21/333  
D905,170 S 12/2020 Fuchs et al.  
D908,798 S \* 1/2021 Conlee, IV ..... D21/333  
D931,374 S \* 9/2021 Meng ..... D21/333  
D931,375 S \* 9/2021 Meng ..... D21/333  
11,167,213 B2 \* 11/2021 Mucha ..... A63F 13/24  
D937,833 S \* 12/2021 Bristol ..... D21/333  
D939,451 S \* 12/2021 Tripp ..... D13/168  
D945,418 S \* 3/2022 Wei ..... D21/333  
D954,839 S \* 6/2022 Yu ..... D21/333  
2016/0361637 A1 \* 12/2016 Higgins ..... A63F 13/213  
2016/0363996 A1 \* 12/2016 Higgins ..... A63F 13/212  
2017/0128828 A1 \* 5/2017 Long ..... A63F 13/235  
2017/0131767 A1 \* 5/2017 Long ..... G06F 3/0304  
2017/0189799 A1 \* 7/2017 Anderson ..... G06F 3/0202  
2017/0192506 A1 \* 7/2017 Andersen ..... G06F 3/011  
2018/0099219 A1 \* 4/2018 Hope ..... A63F 13/213  
2019/0325651 A1 \* 10/2019 Bradner ..... A63F 13/5255

\* cited by examiner

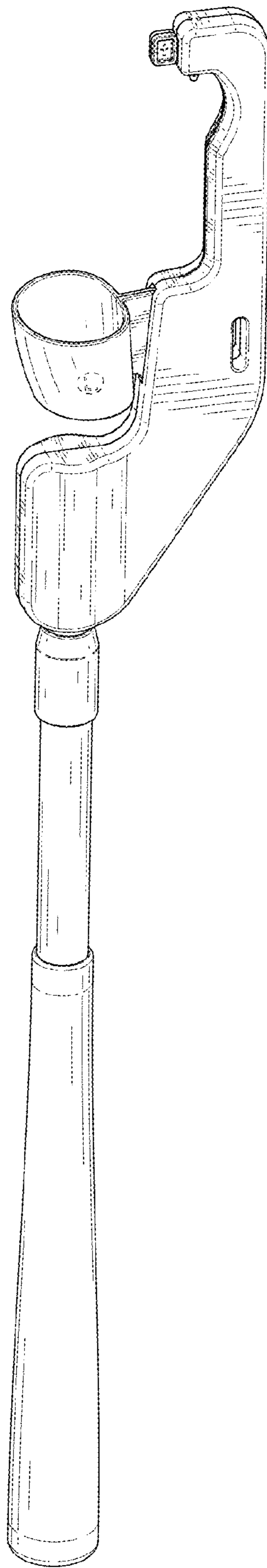


FIG. 1

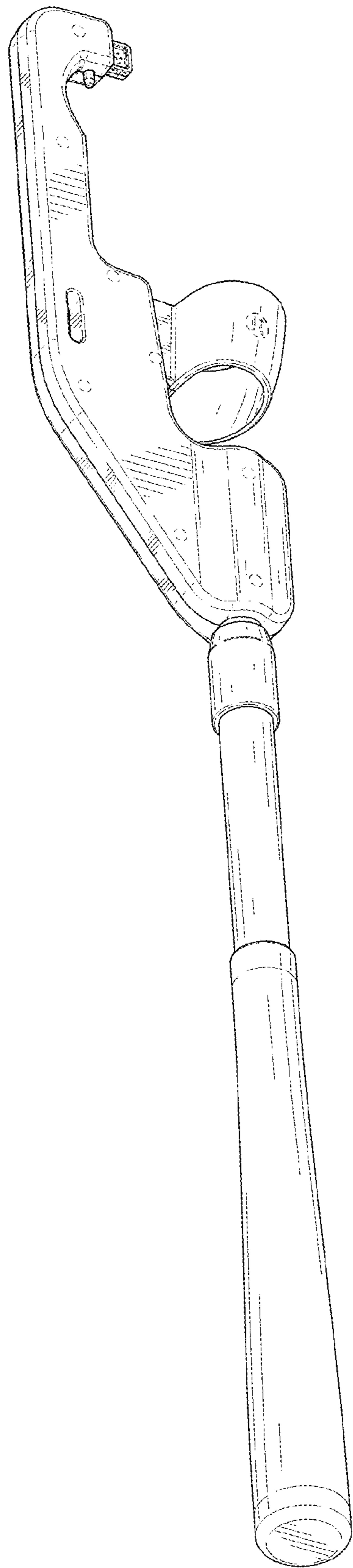


FIG. 2

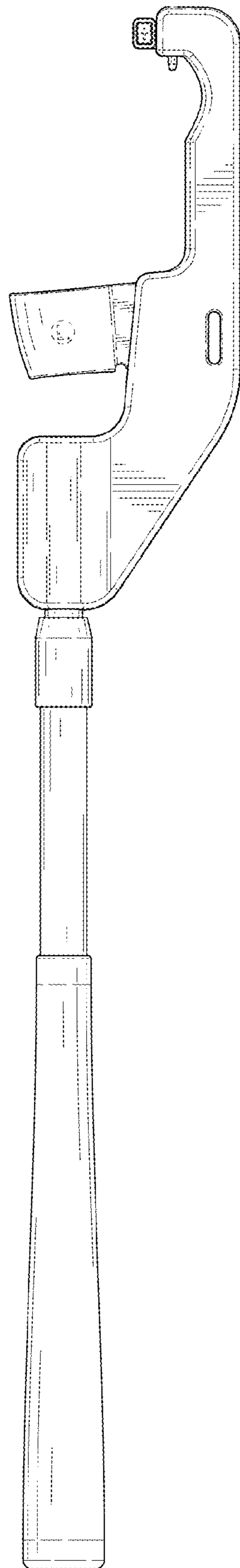


FIG. 3

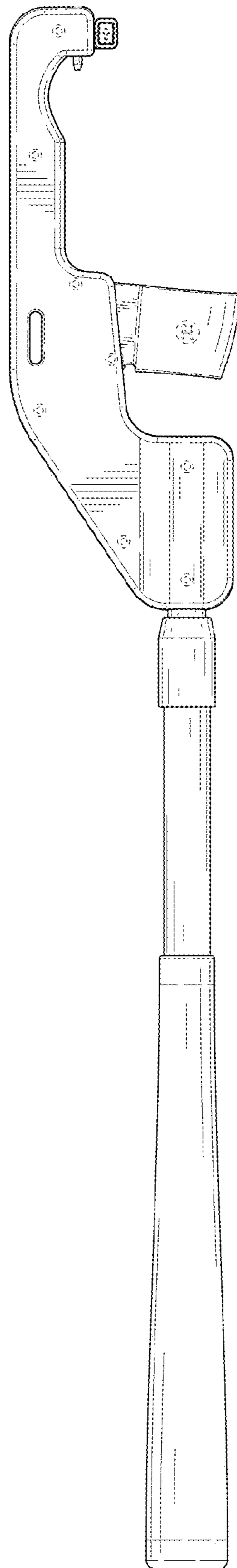


FIG. 4

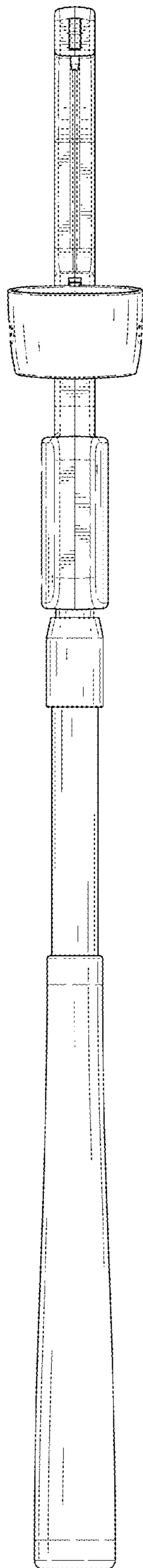


FIG. 5

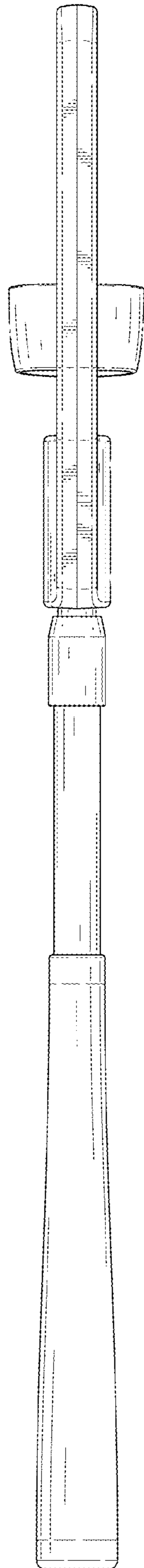


FIG. 6



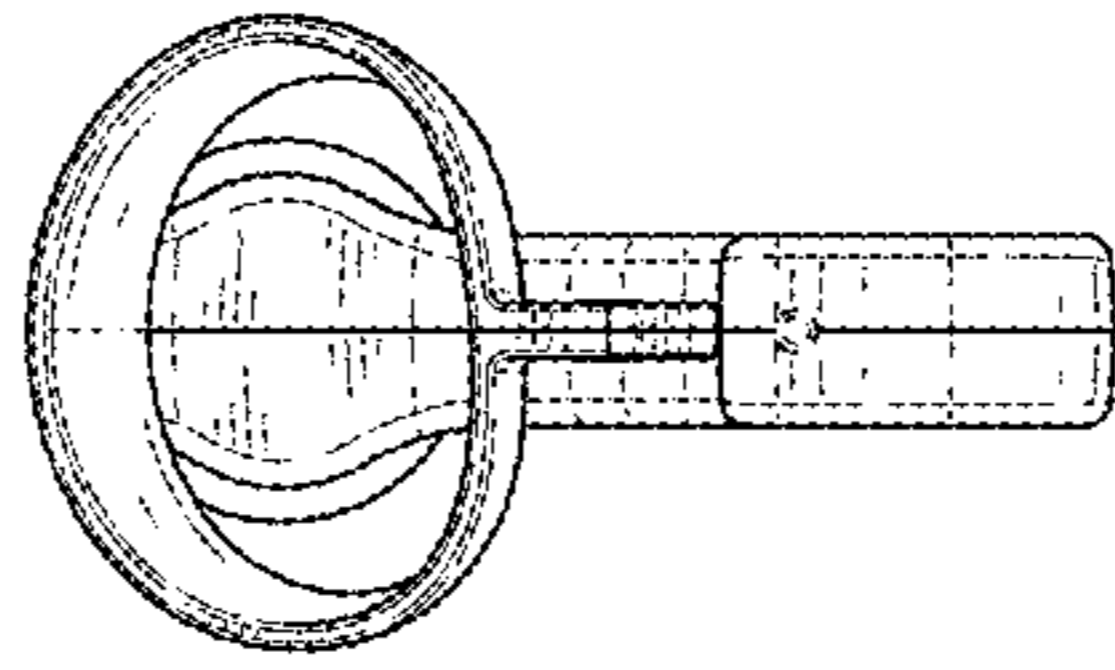


FIG. 7

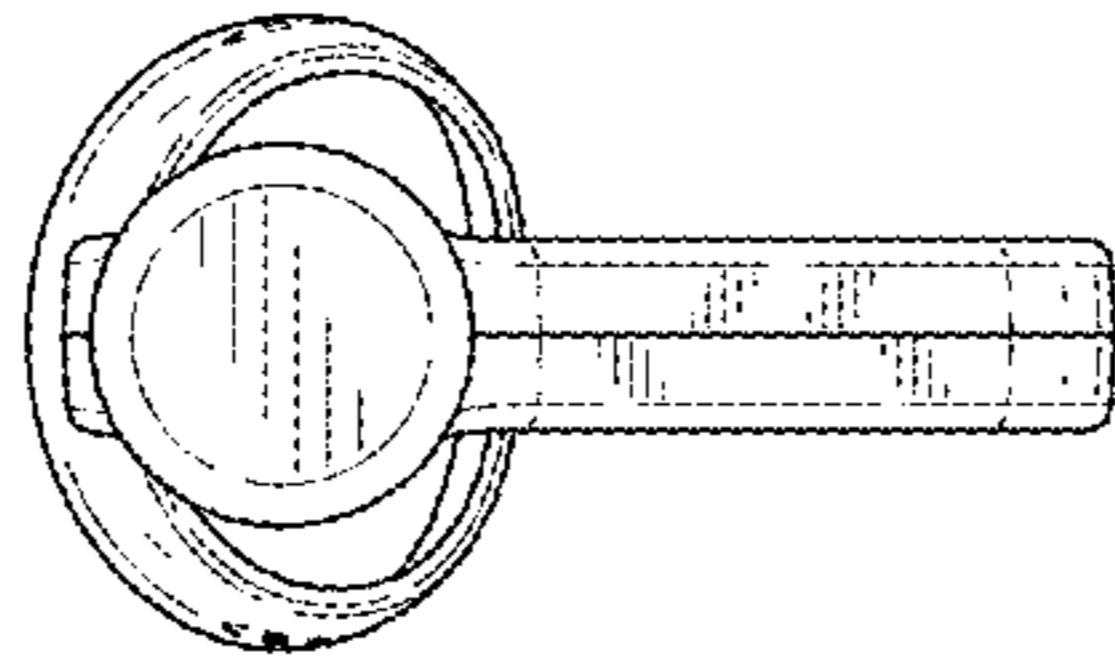


FIG. 8

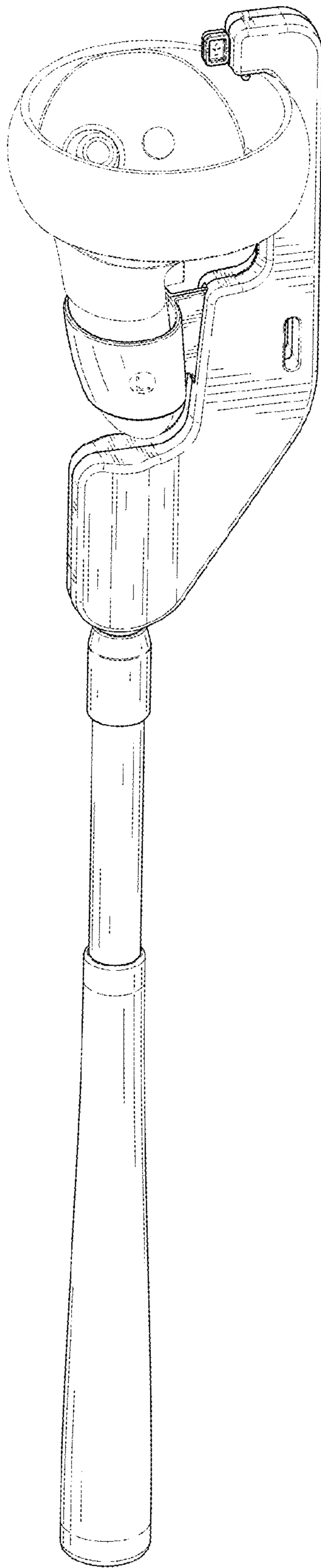


FIG. 9