



US00D975187S

(12) **United States Design Patent**
Zhu

(10) **Patent No.:** **US D975,187 S**
(45) **Date of Patent:** **** Jan. 10, 2023**

(54) **GAME CONTROLLER**

(71) Applicant: **Jiarui Zhu**, Zhongshan (CN)

(72) Inventor: **Jiarui Zhu**, Zhongshan (CN)

(**) Term: **15 Years**

(21) Appl. No.: **29/841,509**

(22) Filed: **Jun. 7, 2022**

(51) **LOC (14) Cl.** **21-01**

(52) **U.S. Cl.**
USPC **D21/333**

(58) **Field of Classification Search**
USPC D21/324, 332-337, 566, 572-574, 328;
D14/217, 218, 356, 387, 388, 389, 400,
D14/401, 415, 418, 426-431, 443, 447,
D14/449, 450, 454, 455, 471, 474, 483,
D14/496, 511; D13/164, 168
CPC .. A63F 9/02; A63F 9/24; A63F 9/0291; A63F
9/0252; A63F 13/00; A63F 13/23; A63F
13/24; A63F 13/26; A63F 13/98; A63F
13/02; A63F 13/12; A63F 9/00; A63F
2300/00; A63F 2300/1031
See application file for complete search history.

(56) **References Cited**

U.S. PATENT DOCUMENTS

D712,408 S *	9/2014	Sumii	D14/401
D715,296 S	10/2014	Huang	
D768,786 S *	10/2016	Seflic	D14/401
D780,759 S *	3/2017	Ironmonger	D14/401
D780,760 S *	3/2017	Ironmonger	D14/401
D794,027 S *	8/2017	Ironmonger	D14/401
D794,129 S *	8/2017	Kujawski	D14/401
D794,717 S *	8/2017	Kujawski	D14/401
D816,083 S *	4/2018	Wu	D14/401
D823,945 S *	7/2018	Falc	D14/416
D878,475 S *	3/2020	Jetter	D21/333
D887,411 S *	6/2020	Li	D14/401

D903,768 S *	12/2020	Tsuchiya	D21/333
D907,119 S *	1/2021	Zhou	D21/333
D909,482 S *	2/2021	Whitaker	D14/401
D921,116 S *	6/2021	Zhou	D21/333
D923,097 S *	6/2021	Zhao	D21/333
D923,098 S *	6/2021	Zhao	D21/333
D923,100 S *	6/2021	Zhou	D21/333
D924,978 S *	7/2021	Chatterjee	D21/333
D926,887 S *	8/2021	Yang	D21/333
D928,235 S *	8/2021	Paterson	D21/333
D928,880 S *	8/2021	Yu	D21/333
D934,344 S *	10/2021	Hsu	D14/401
D935,460 S *	11/2021	Zhu	D14/401
D936,146 S *	11/2021	Hsu	D21/333
D940,244 S *	1/2022	Zhou	D21/333
D947,946 S *	4/2022	Luo	D21/333
D947,947 S	4/2022	Luo	
D950,648 S *	5/2022	Su	D21/333
D951,354 S *	5/2022	Feng	D21/333
D953,439 S *	5/2022	Wang	D21/333
D954,838 S *	6/2022	Kobayashi	D21/333

(Continued)

Primary Examiner — Mehri F Bajoul

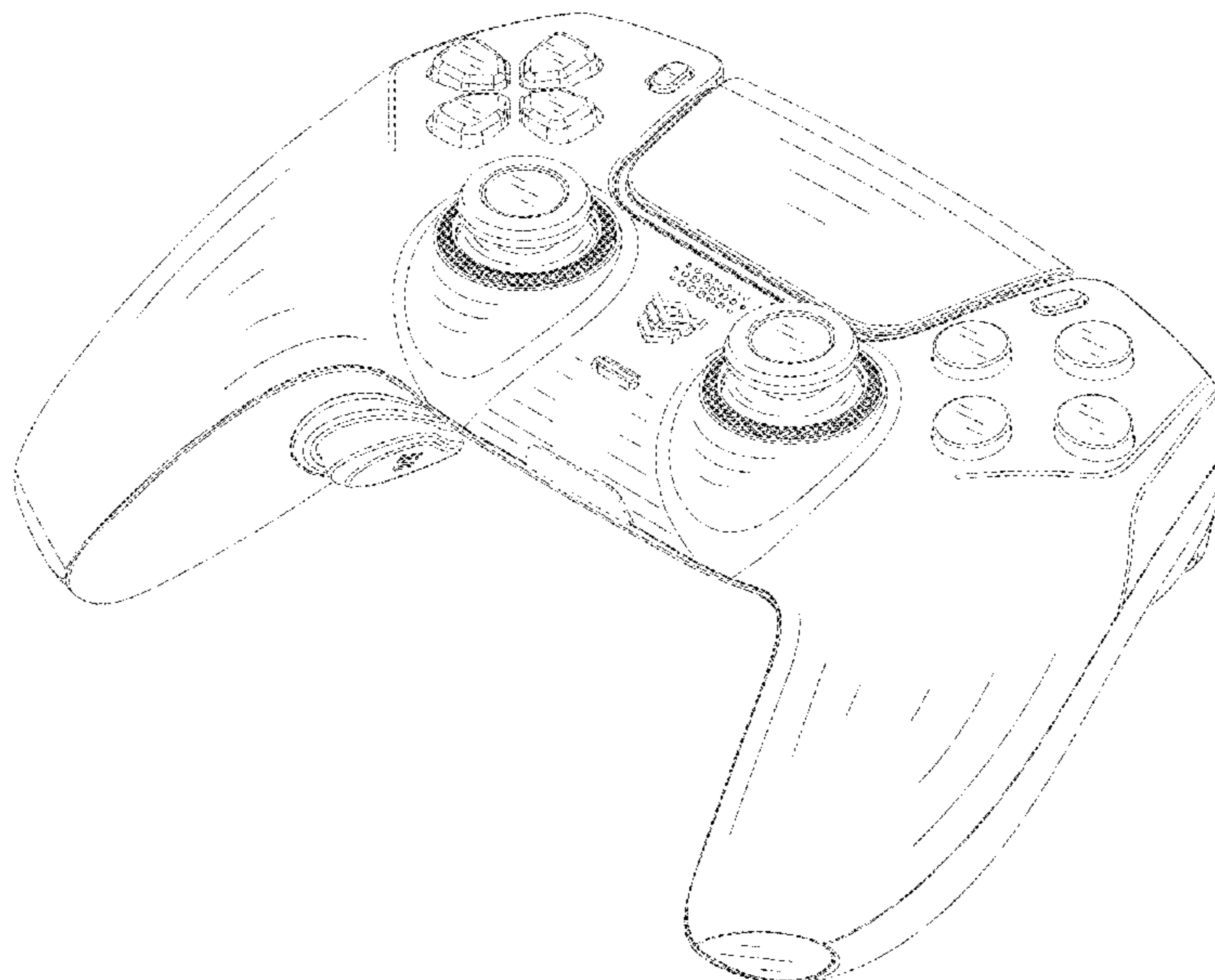
(57) **CLAIM**

The ornamental design for a game controller, as shown and described.

DESCRIPTION

FIG. 1 is a front perspective view of a game controller showing my new design;
 FIG. 2 is a rear perspective view thereof;
 FIG. 3 is a front view thereof;
 FIG. 4 is a rear view thereof;
 FIG. 5 is a left view thereof;
 FIG. 6 is a right view thereof;
 FIG. 7 is a top view thereof; and,
 FIG. 8 is a bottom view thereof.
 The broken lines in the drawings depict portions of the game controller that form no part of the claimed design.

1 Claim, 8 Drawing Sheets



(56)

References Cited

U.S. PATENT DOCUMENTS

D954,839 S *	6/2022	Yu	D21/333
D956,873 S *	7/2022	Guo	D21/333
D958,252 S *	7/2022	Wang	D21/333
D958,253 S *	7/2022	Wang	D21/333
D958,254 S *	7/2022	Liu	D21/333
D958,889 S *	7/2022	Luo	D21/333
D958,891 S *	7/2022	Kobayashi	D21/333
D958,892 S *	7/2022	Kobayashi	D21/333
D958,893 S *	7/2022	Zhu	D21/333

* cited by examiner



FIG. 1

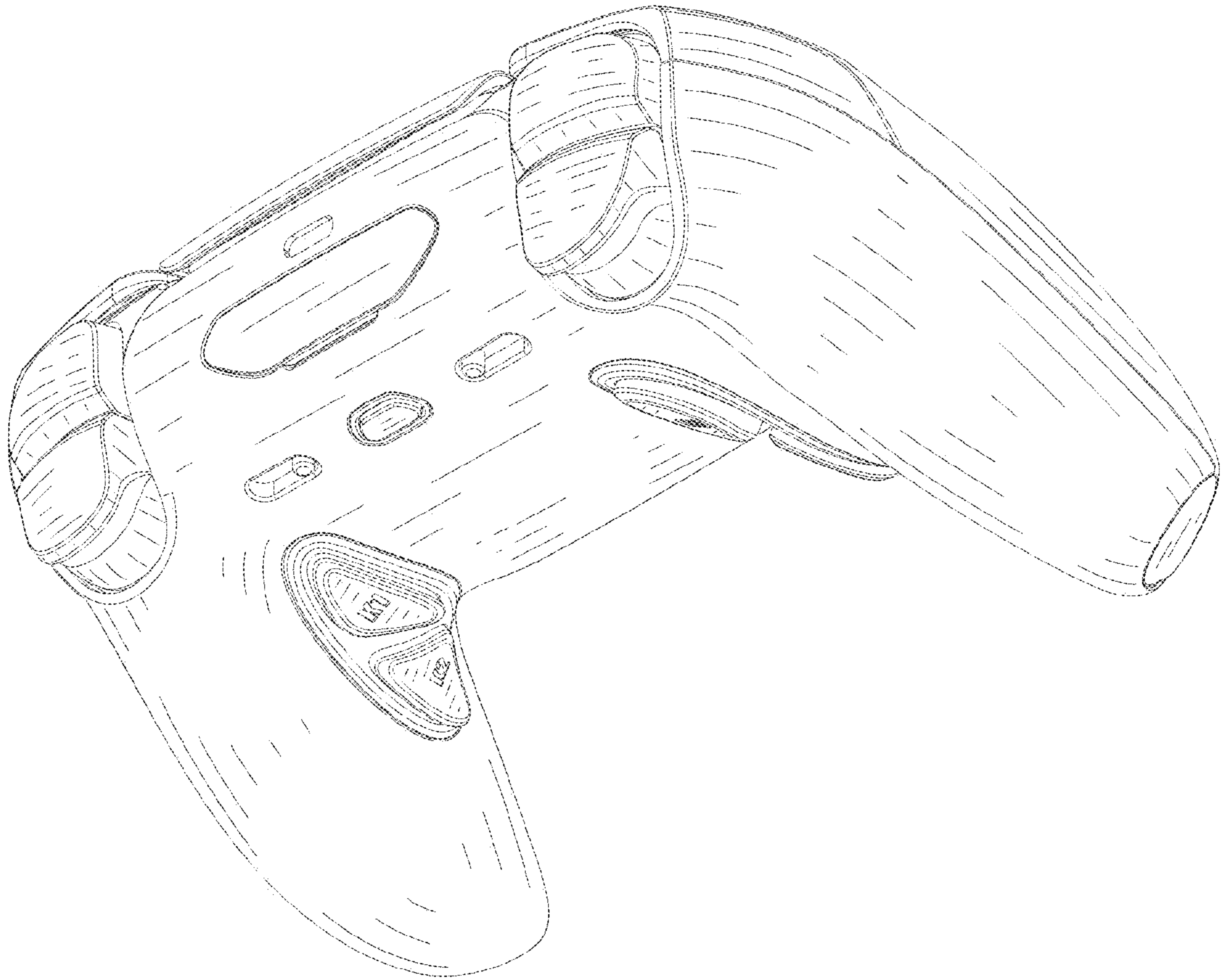


FIG. 2

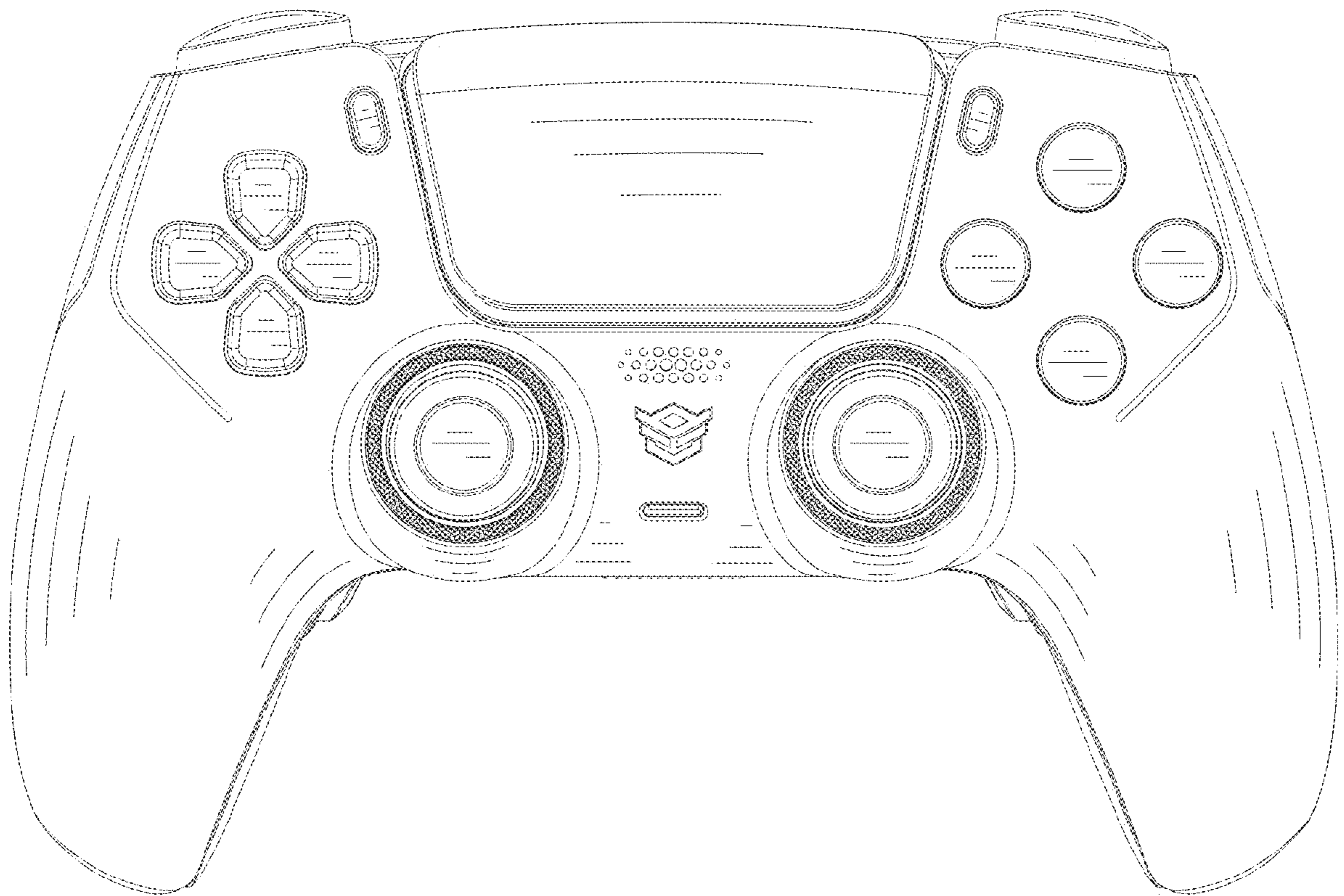


FIG. 3

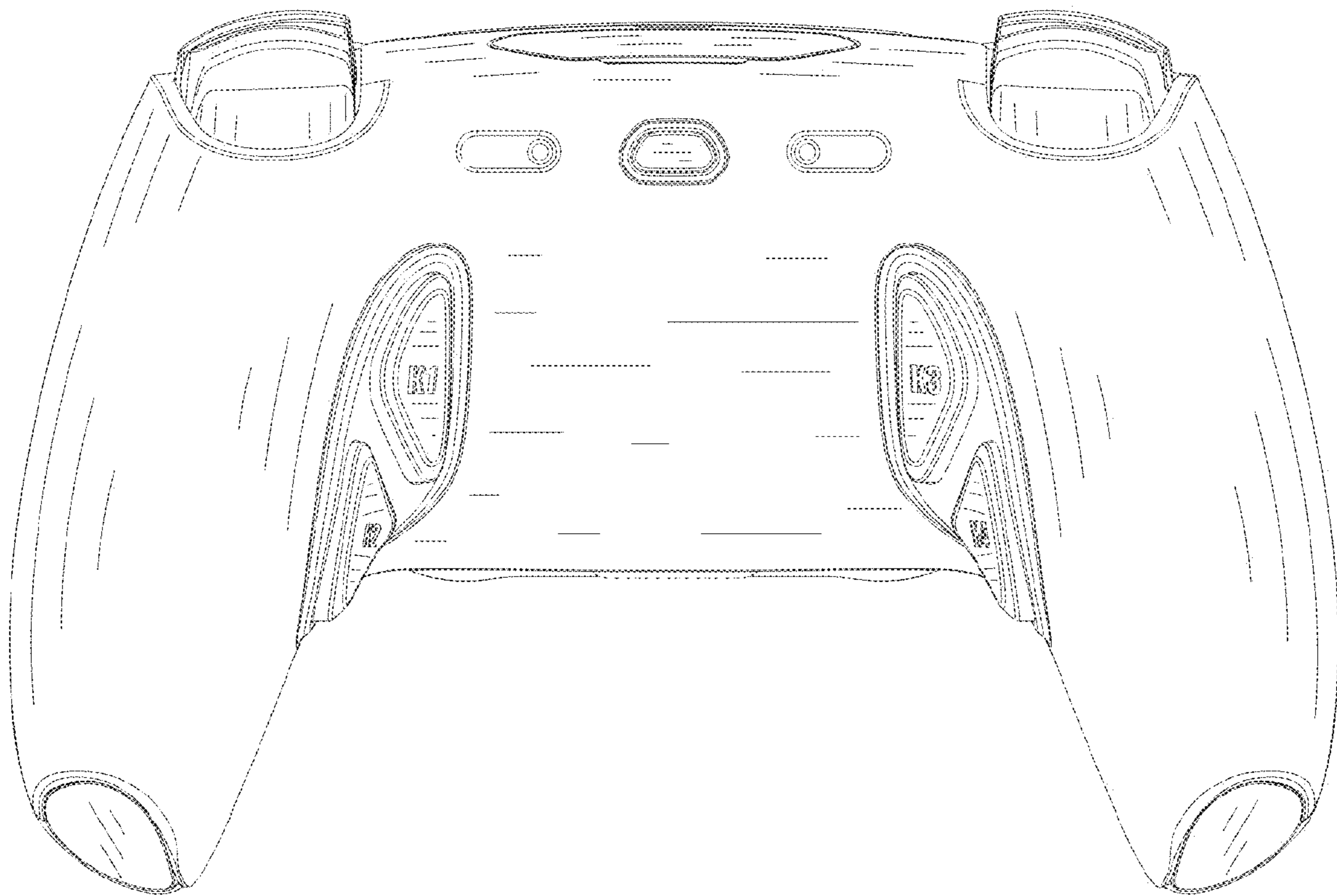


FIG. 4

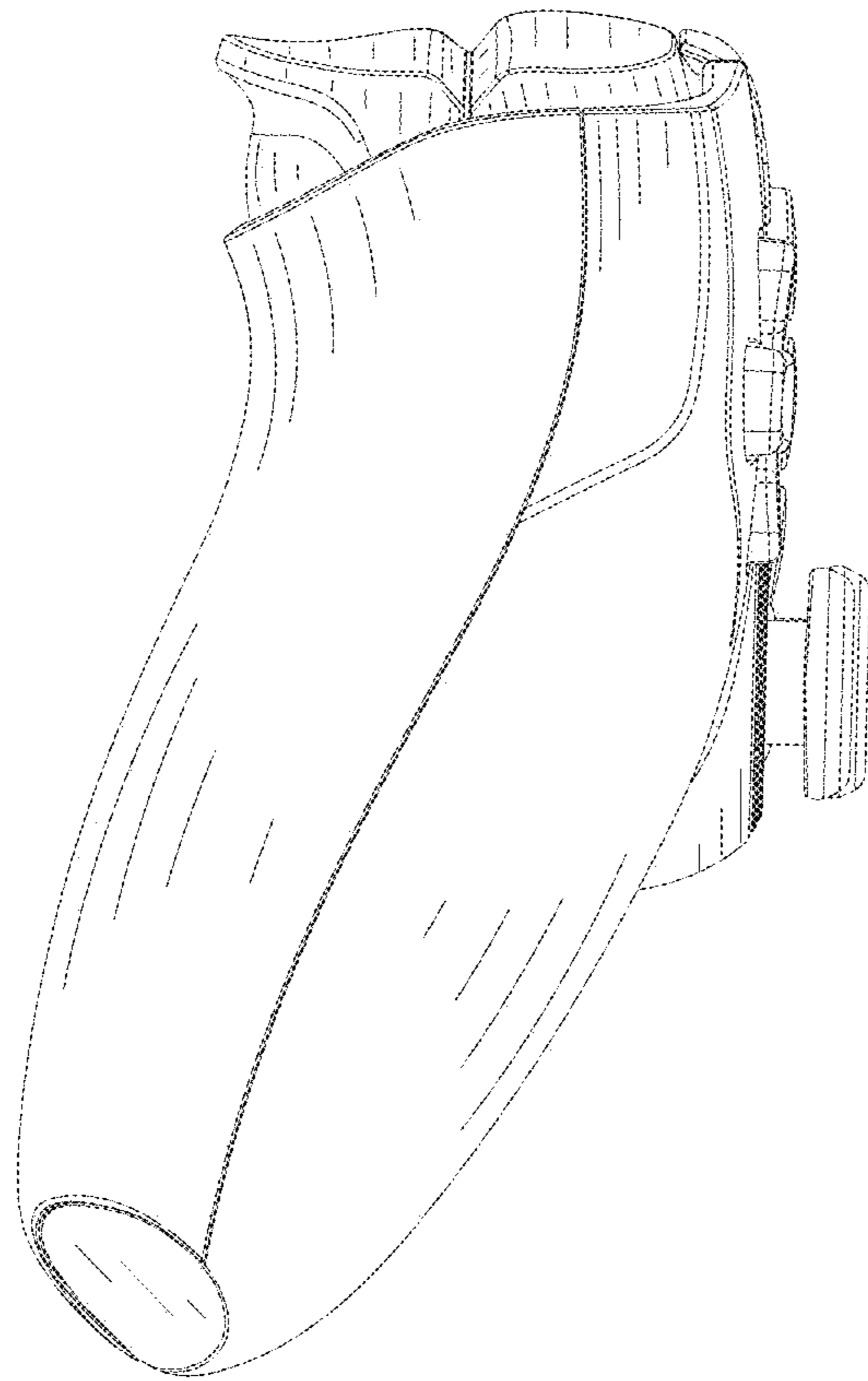


FIG. 5

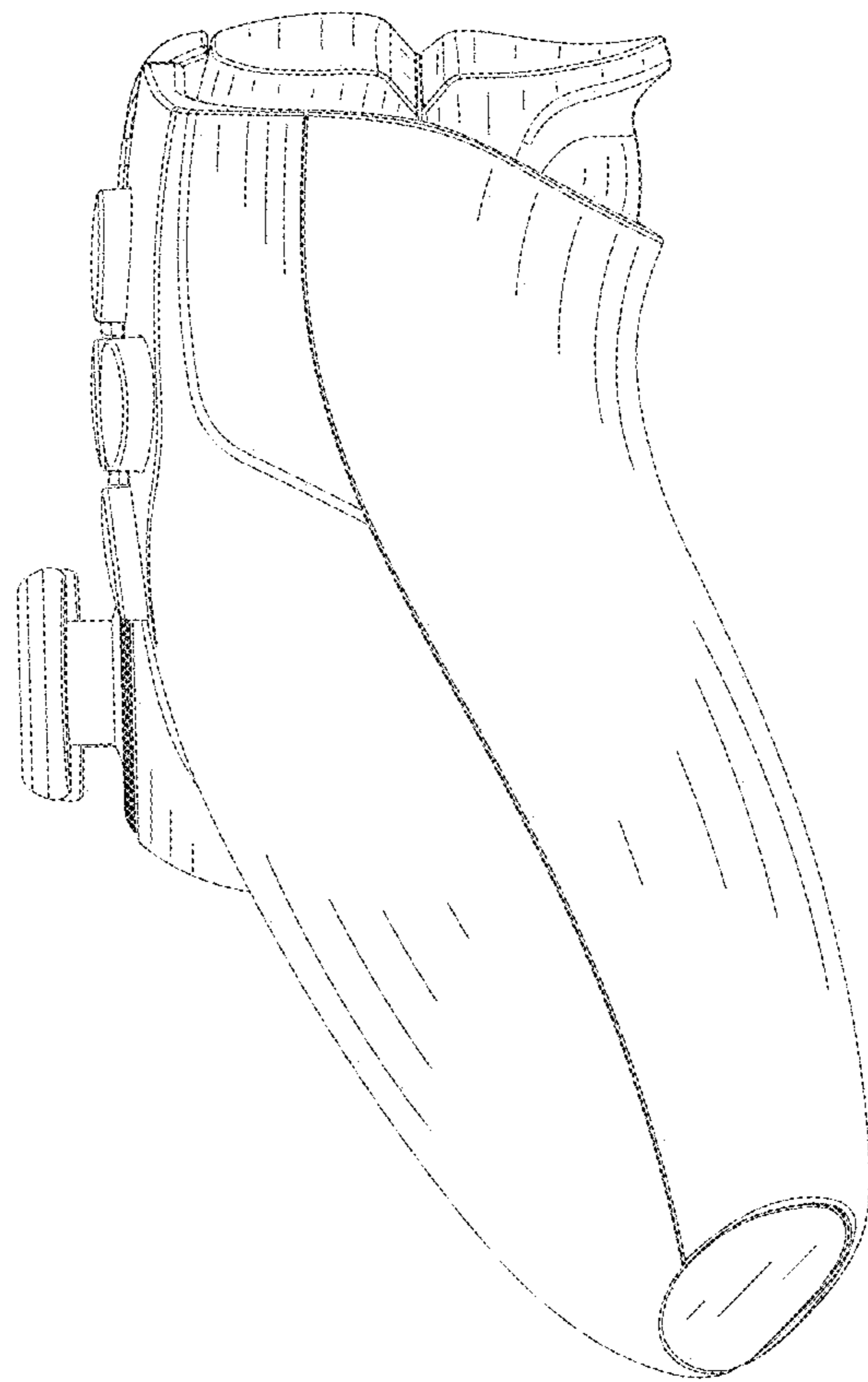


FIG. 6

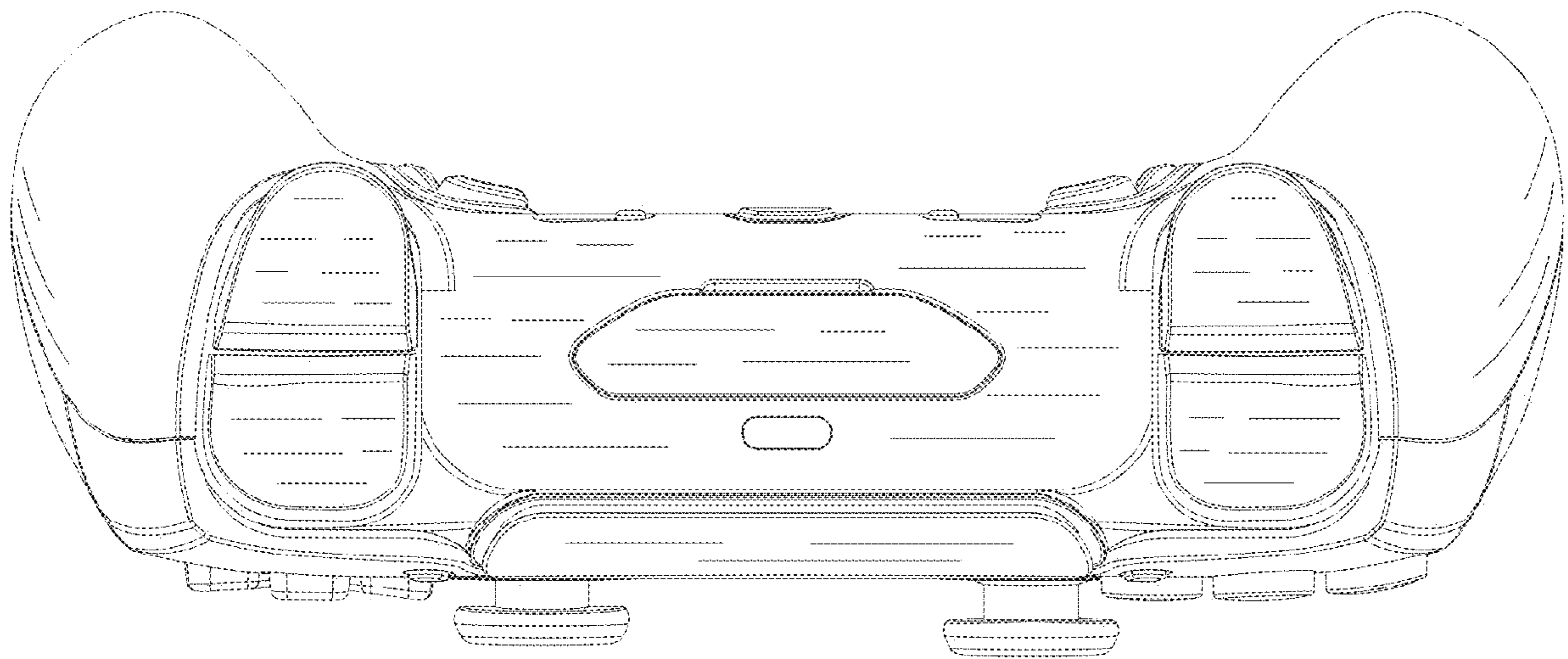


FIG. 7

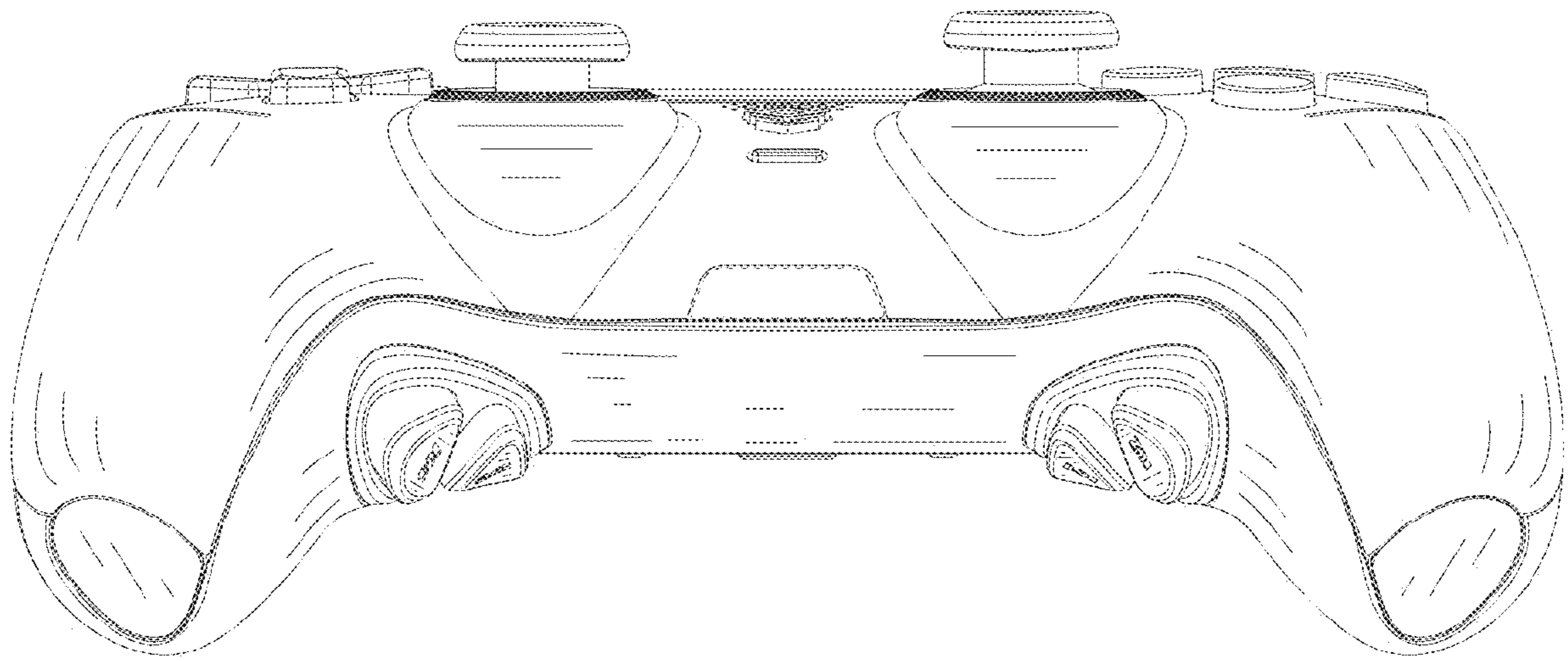


FIG. 8