



US00D975186S

(12) **United States Design Patent**
Weng

(10) **Patent No.:** **US D975,186 S**
(45) **Date of Patent:** **** Jan. 10, 2023**

- (54) **PROTECTIVE CASE FOR GAMEPAD**
- (71) Applicant: **SHENZHEN GUANGYIPENG TECHNOLOGY CO., LTD.**, Shenzhen (CN)
- (72) Inventor: **Jie Weng**, Shenzhen (CN)
- (73) Assignee: **SHENZHEN GUANGYIPENG TECHNOLOGY CO., LTD.**, Shenzhen (CN)
- (**) Term: **15 Years**
- (21) Appl. No.: **29/808,374**
- (22) Filed: **Sep. 18, 2021**
- (51) **LOC (14) Cl.** **21-01**
- (52) **U.S. Cl.**
USPC **D21/333**
- (58) **Field of Classification Search**
USPC D21/324–29, 330, 341, 342, 349, 386, D21/324–329, 331–337; D14/137, 138, D14/160, 168, 174, 177, 190, 217, 218, D14/250, 299, 322, 341, 345, 346, 353, D14/354, 356, 387, 388, 389, 399–401, D14/412–416, 421, 432, 440, 443, 449, D14/450, 454, 463, 471, 474, 483, 493, D14/496, 511; D22/100, 103–105; D13/162, 162.1, 168; D10/78, 98, 103; D12/174, 177, 190, 218; D18/10
CPC .. A63F 9/02; A63F 9/24; A63F 9/0291; A63F 9/0252; A63F 13/00; A63F 13/23; A63F 13/24; A63F 13/26; A63F 13/98; A63F 13/02; A63F 13/12
See application file for complete search history.

- D710,945 S * 8/2014 Biheller D14/401
- D713,468 S * 9/2014 Sawhney D21/324
- D720,342 S * 12/2014 Starrett D14/401
- D736,859 S * 8/2015 Joynes D14/401
- D808,466 S * 1/2018 Foster D14/401
- D863,447 S * 10/2019 Tsuchiya D21/333

(Continued)

Primary Examiner — Mehri F Bajoul

(57) **CLAIM**

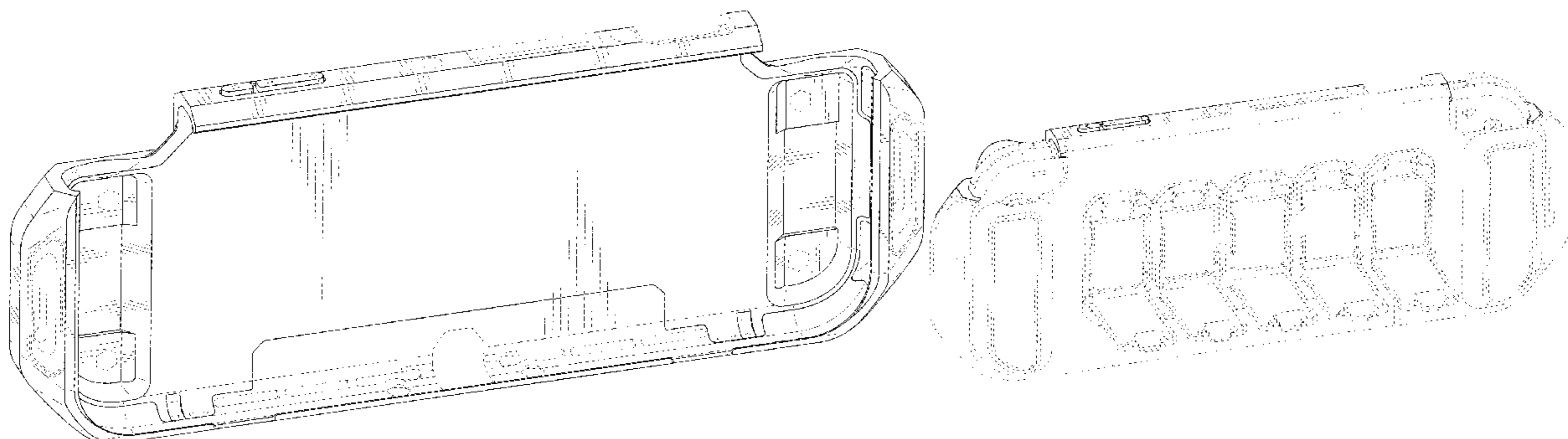
The ornamental design for a protective case for gamepad, as shown and described.

DESCRIPTION

FIG. 1 is a perspective view of a protective case for gamepad showing my new design;
 FIG. 2 is another perspective view thereof;
 FIG. 3 is a front elevational view thereof;
 FIG. 4 is a rear elevational view thereof;
 FIG. 5 is a left side elevational view thereof;
 FIG. 6 is a right side elevational view thereof;
 FIG. 7 is a top plan view thereof;
 FIG. 8 is a bottom plan view thereof;
 FIG. 9 is a perspective view of the protective case for gamepad where a game pad is received in the protective case for gamepad and an upper cover is covered on the protective case for gamepad;
 FIG. 10 is a perspective view of the protective case for gamepad where the game pad is received in the protective case for gamepad and card organizers of the upper cover is in an open position; and,
 FIG. 11 is a perspective view of the protective case for gamepad where the gamepad is received in the protective case for gamepad and the upper cover is sleeved on the protective case for gamepad.
 The broken lines in the drawings depict portions of the protective case for gamepad that form no part of the claim. The broken lines showing of a gamepad and upper cover, in FIGS. 9-11, illustrate environmental structure that form no part of the claimed design.

1 Claim, 11 Drawing Sheets

- (56) **References Cited**
U.S. PATENT DOCUMENTS
D666,250 S * 8/2012 Fulghum D21/333
D686,209 S * 7/2013 Sun D14/401



(56)

References Cited

U.S. PATENT DOCUMENTS

D867,365	S	*	11/2019	Corigliano	D14/401
D875,834	S	*	2/2020	Tien	D21/333
D879,100	S	*	3/2020	Li	D14/432
D881,992	S		4/2020	Liu		
D897,440	S	*	9/2020	Weng	D21/333
D900,227	S	*	10/2020	Jung	D21/333
D900,935	S	*	11/2020	Lo	D21/333
D908,121	S	*	1/2021	Weng	D14/250
D908,799	S	*	1/2021	Weng	D21/333
D908,801	S	*	1/2021	Lee	D21/333
D909,481	S	*	2/2021	Liu	D21/333
D909,488	S	*	2/2021	Zheng	D21/333
D916,980	S		4/2021	Chen		
D924,204	S	*	7/2021	Natsume	D14/218
D926,649	S	*	8/2021	Wang	D12/174
D928,113	S	*	8/2021	Guack	D21/333
D947,827	S	*	4/2022	Bai	D21/333
D948,619	S	*	4/2022	Yoo	D21/333
D953,432	S	*	5/2022	Zhu	D21/333
D953,435	S	*	5/2022	Hu	D14/401
D959,558	S	*	8/2022	Xiao	D14/401
D959,561	S	*	8/2022	Zhang	D21/333
D963,044	S	*	9/2022	Zhang	D21/333
2021/0275907	A1	*	9/2021	Khaira	A63F 13/24
2022/0032179	A1	*	2/2022	Khaira	A63F 13/92

* cited by examiner

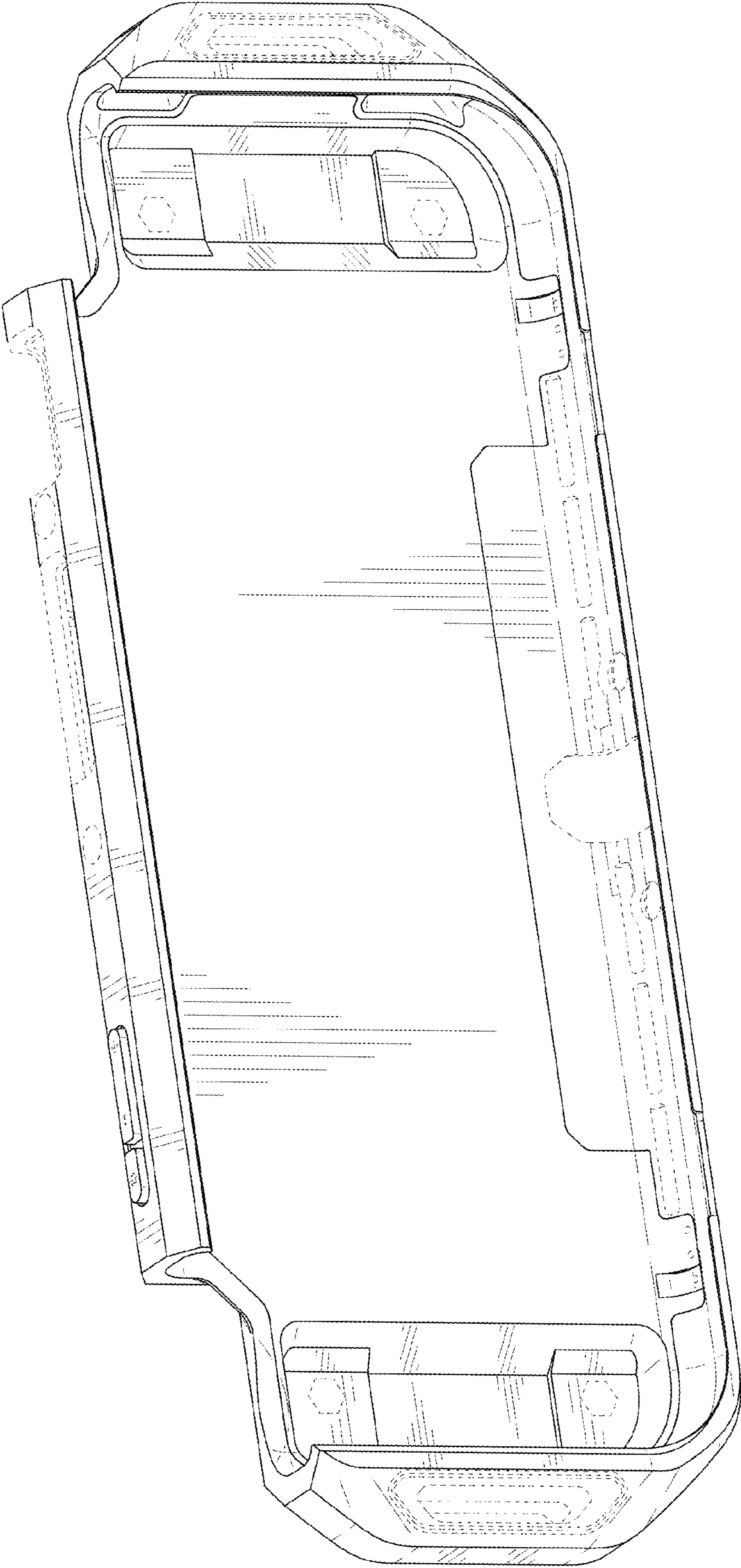


FIG. 1

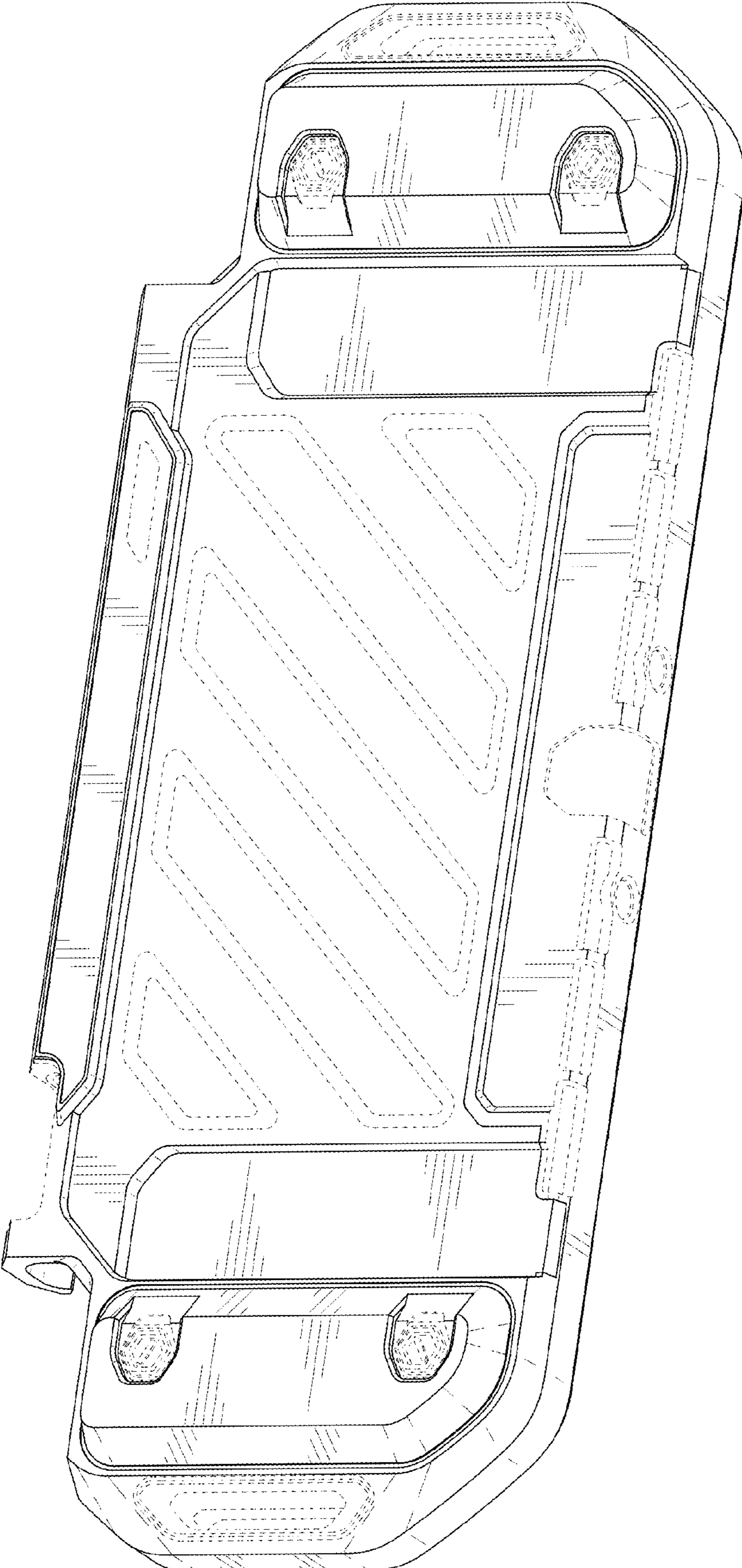


FIG. 2

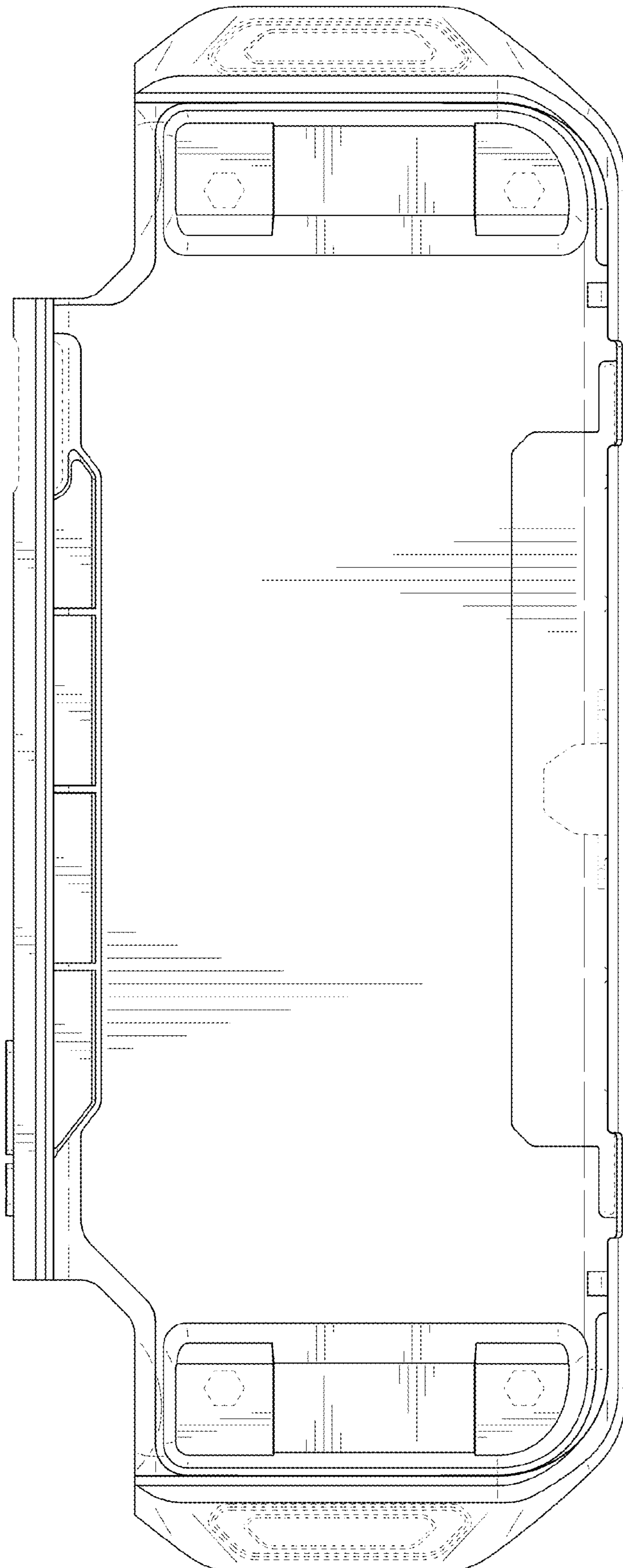


FIG. 3

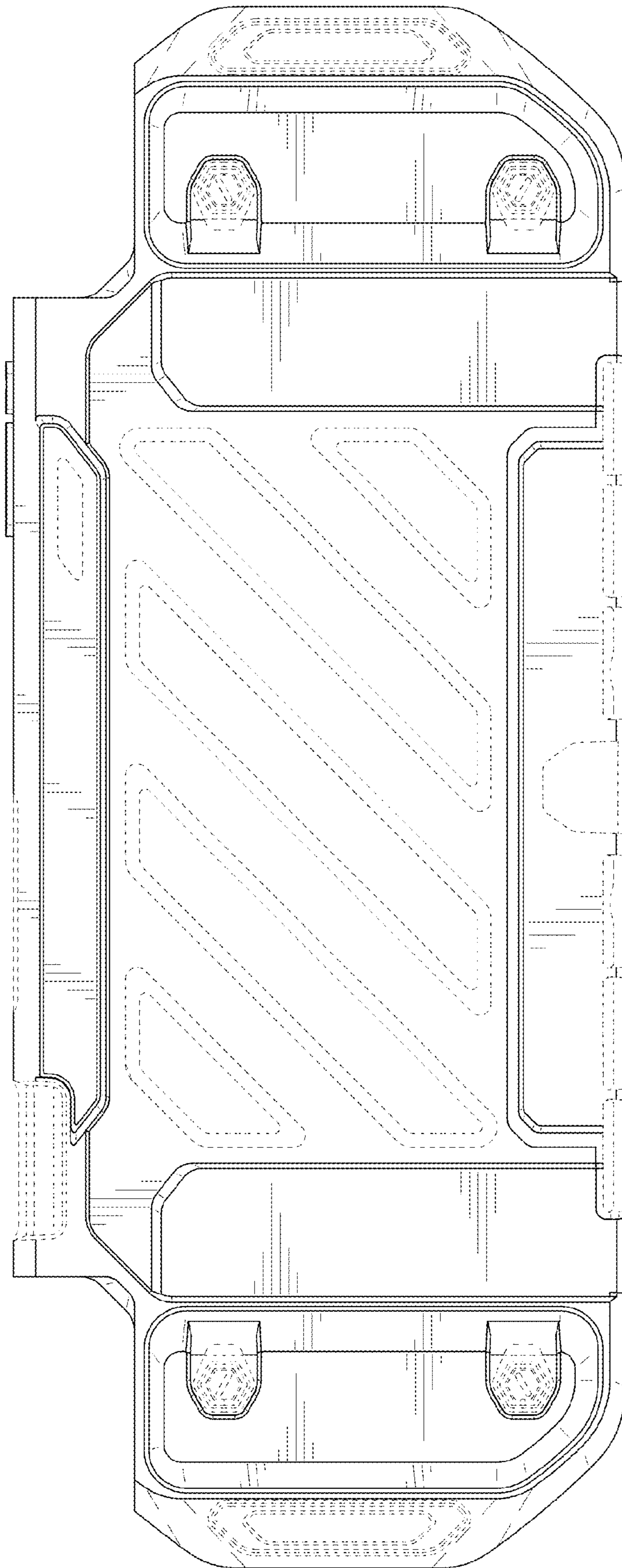


FIG. 4

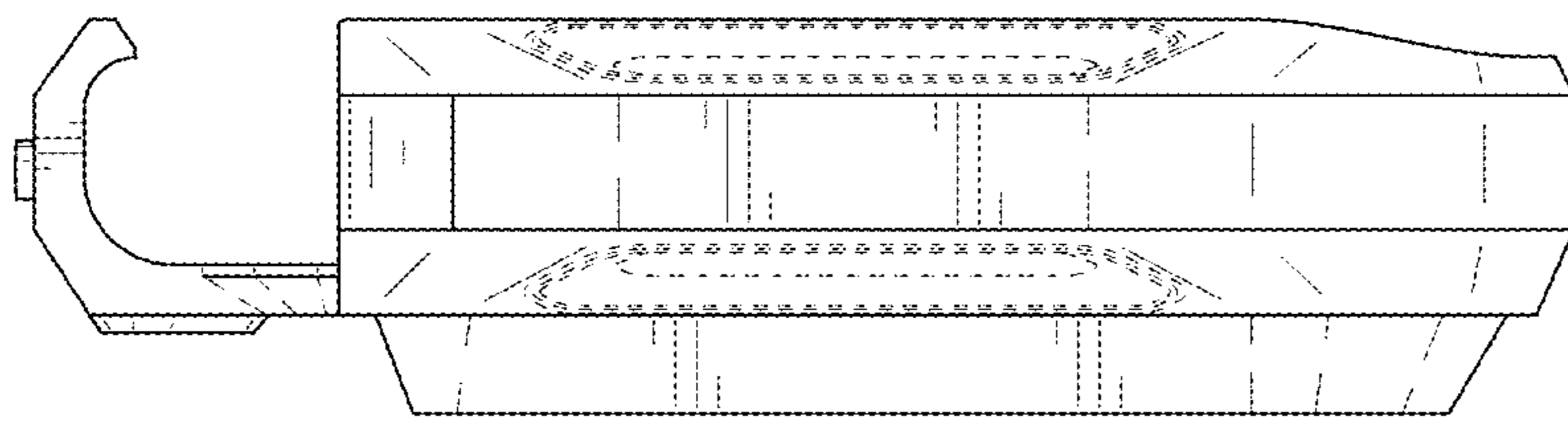


FIG. 5

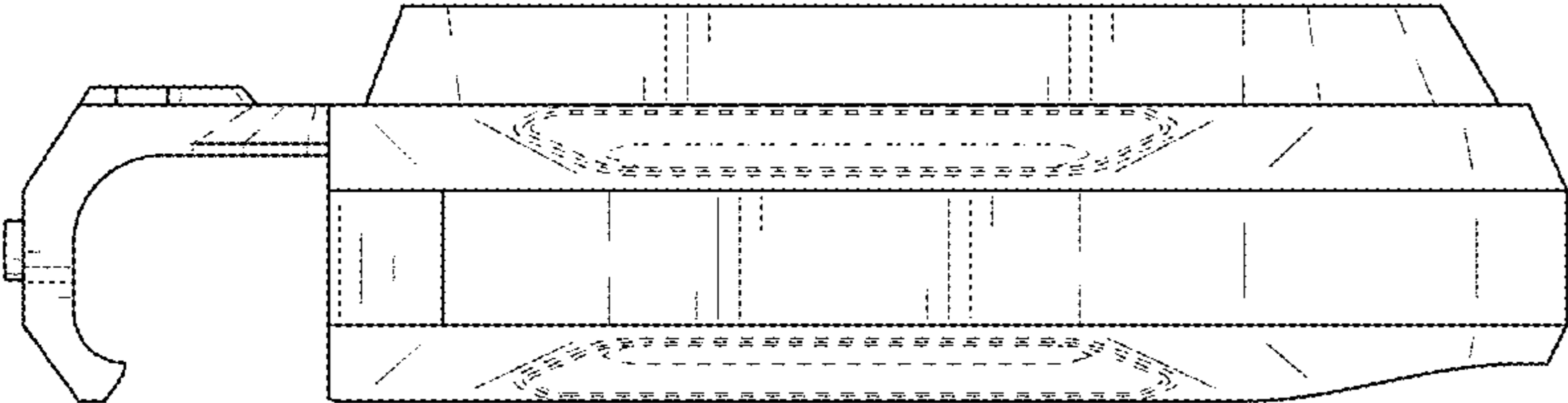


FIG. 6

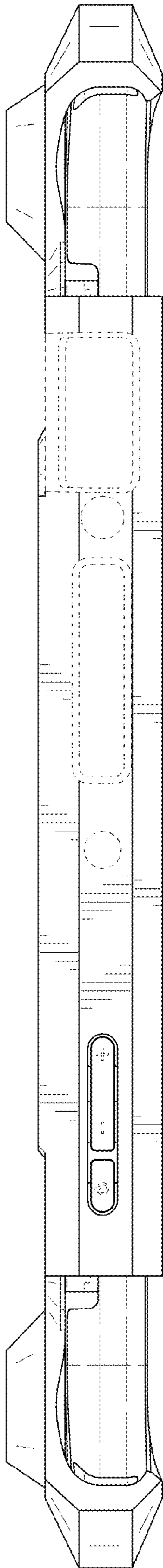


FIG. 7

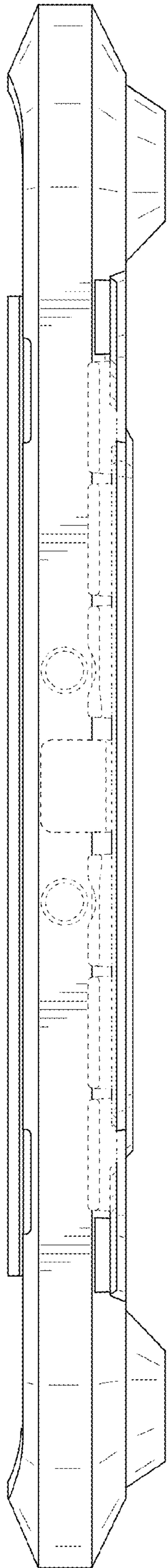


FIG. 8

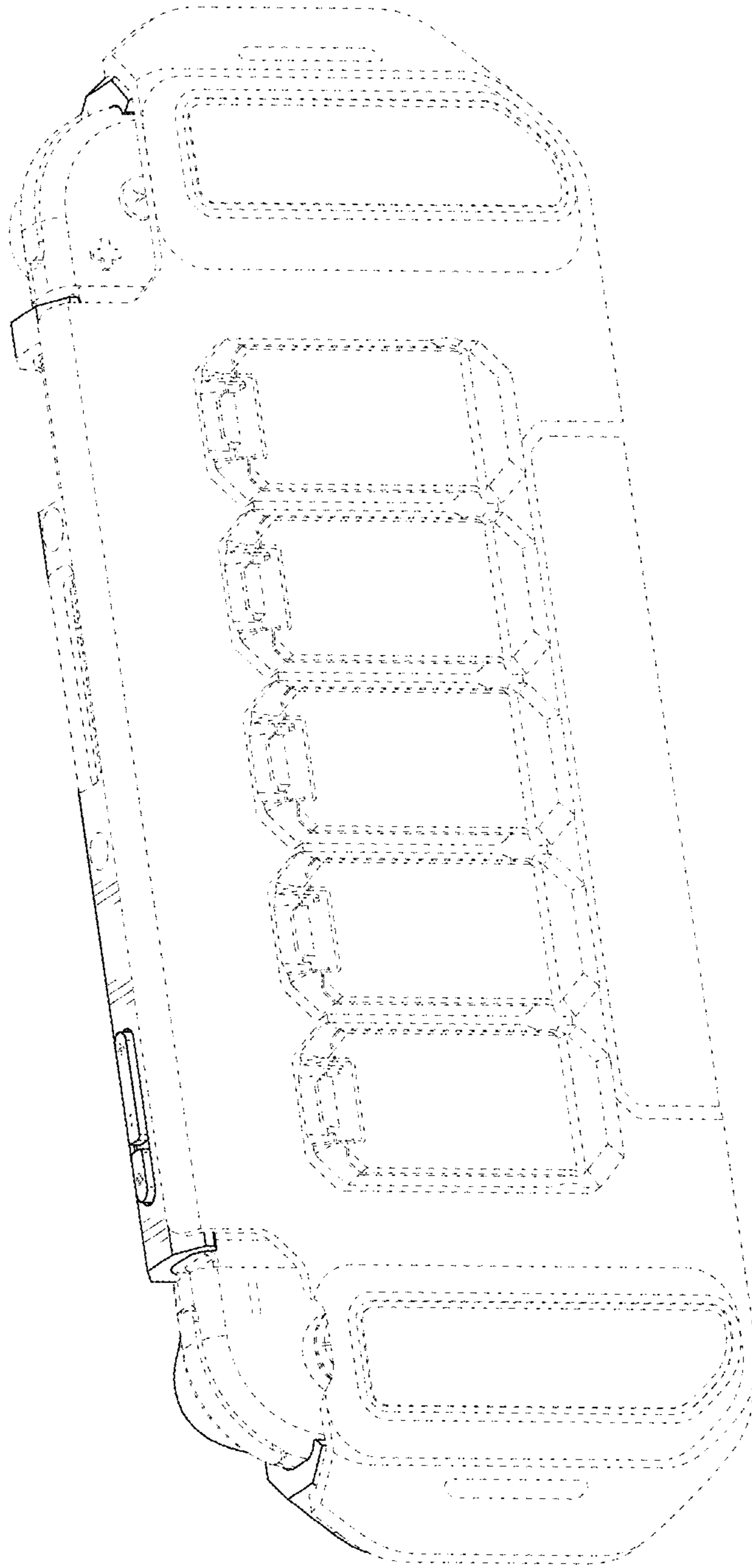


FIG. 9

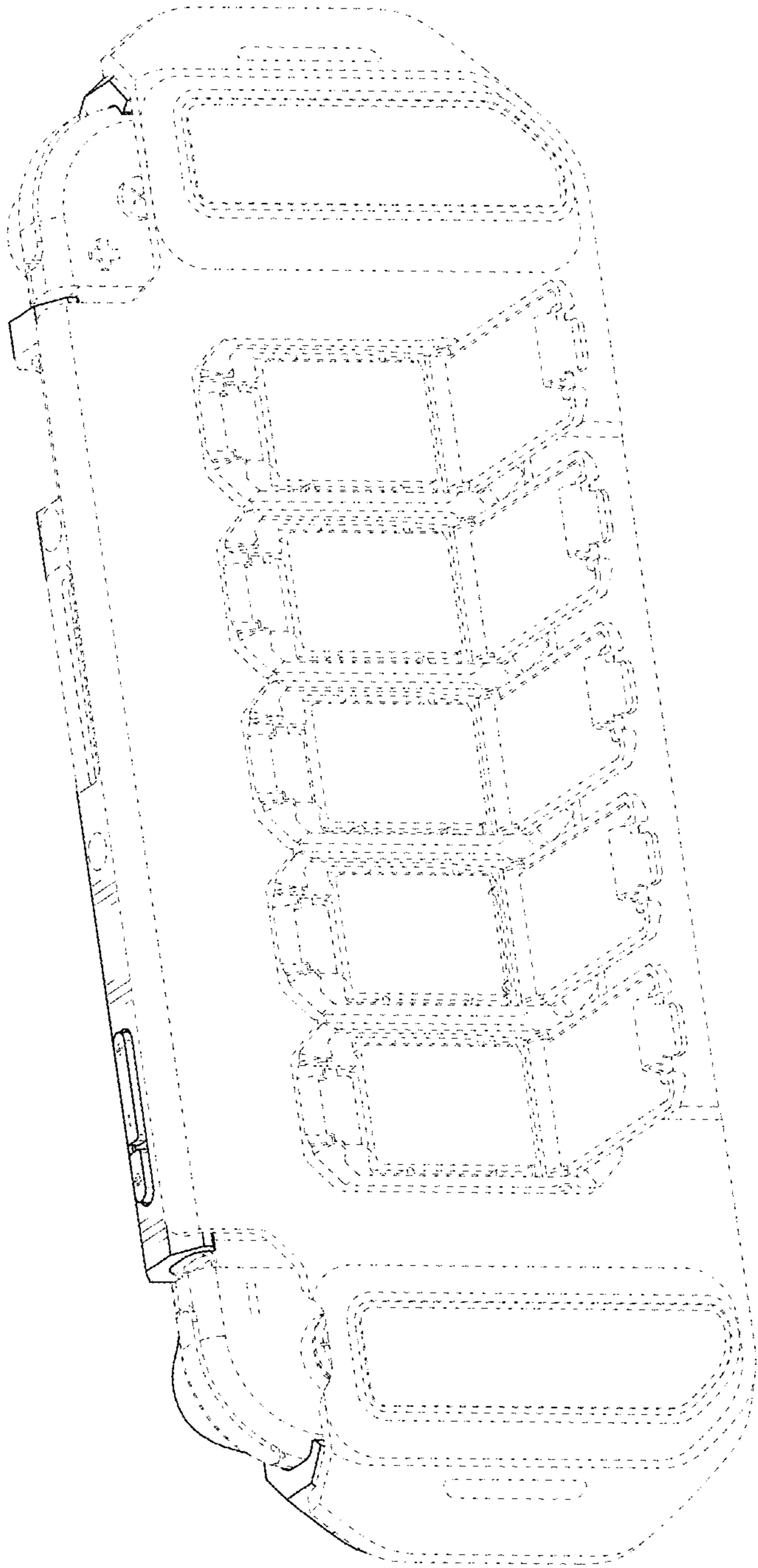


FIG. 10

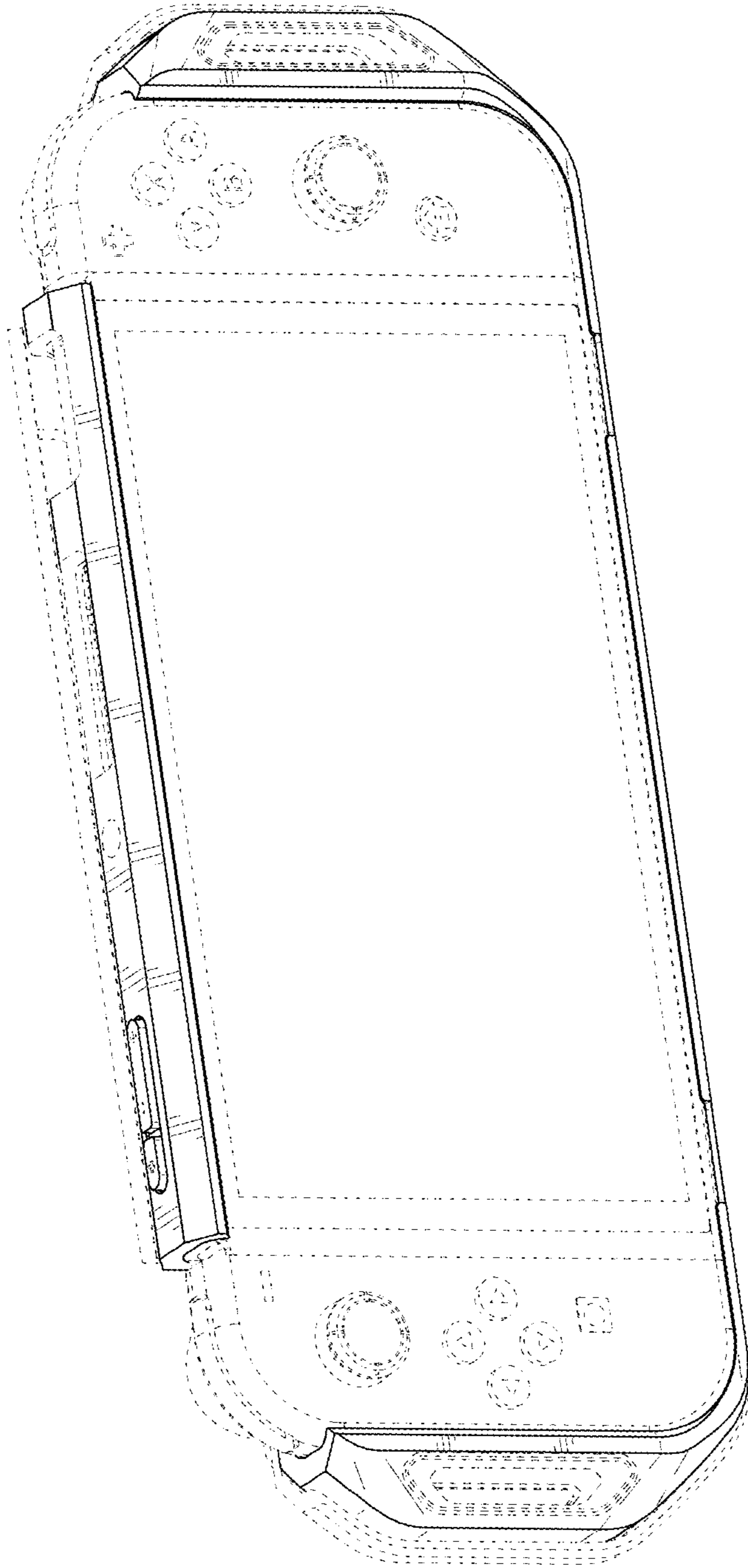


FIG. 11