



US00D975185S

(12) **United States Design Patent** (10) **Patent No.:** **US D975,185 S**
Hu (45) **Date of Patent:** **** Jan. 10, 2023**

(54) **GAME CONTROLLER FOR MOBILE TELEPHONE**

(71) Applicant: **Shenzhen Qixiong Technology Co., Ltd, Shenzhen (CN)**

(72) Inventor: **Xiaochen Hu, Shenzhen (CN)**

(**) Term: **15 Years**

(21) Appl. No.: **29/767,986**

(22) Filed: **Jan. 27, 2021**

(51) **LOC (14) Cl.** **21-01**

(52) **U.S. Cl.**
USPC **D21/333**

(58) **Field of Classification Search**
USPC D21/324, 331-337, 566, 572-574, 328; D14/217, 218, 356, 387, 388, 389, 400, D14/401, 415, 418, 426-431, 443, 447, D14/449, 450, 454, 455, 471, 474, 483, D14/496, 511; D13/164, 168
CPC .. A63F 9/02; A63F 9/24; A63F 9/0291; A63F 9/0252; A63F 13/00; A63F 13/23; A63F 13/24; A63F 13/26; A63F 13/98; A63F 13/02; A63F 13/12; A63F 9/00; A63F 2300/00; A63F 2300/1031
See application file for complete search history.

(56) **References Cited**

U.S. PATENT DOCUMENTS

D475,710 S * 6/2003 Sheehan G06F 3/0219 D14/401
D686,209 S * 7/2013 Sun D14/401
D706,874 S * 6/2014 Ngoy D21/333
D710,945 S * 8/2014 Biheller D14/401
D712,970 S * 9/2014 Biheller D21/333
D713,467 S * 9/2014 Sawhney D21/324
D736,859 S * 8/2015 Joynes D14/401

D860,211 S * 9/2019 Xie D14/440
D870,113 S * 12/2019 Schneider D14/218
D875,180 S * 2/2020 Wang D21/333
D881,993 S * 4/2020 Ehara D21/333
D884,796 S * 5/2020 Zhou D14/401
D900,935 S * 11/2020 Lo D21/333
D909,481 S * 2/2021 Liu D21/333
D912,155 S * 3/2021 Yang D21/333
2021/0197079 A1* 7/2021 Seibert A63F 13/98
2021/0275907 A1* 9/2021 Khaira A63F 13/24
2021/0283515 A1* 9/2021 Del Valle H04M 1/215
2022/0032179 A1* 2/2022 Khaira A63F 13/24

* cited by examiner

Primary Examiner — Mehri F Bajoul

(74) *Attorney, Agent, or Firm* — Rumit Ranjit Kanakia

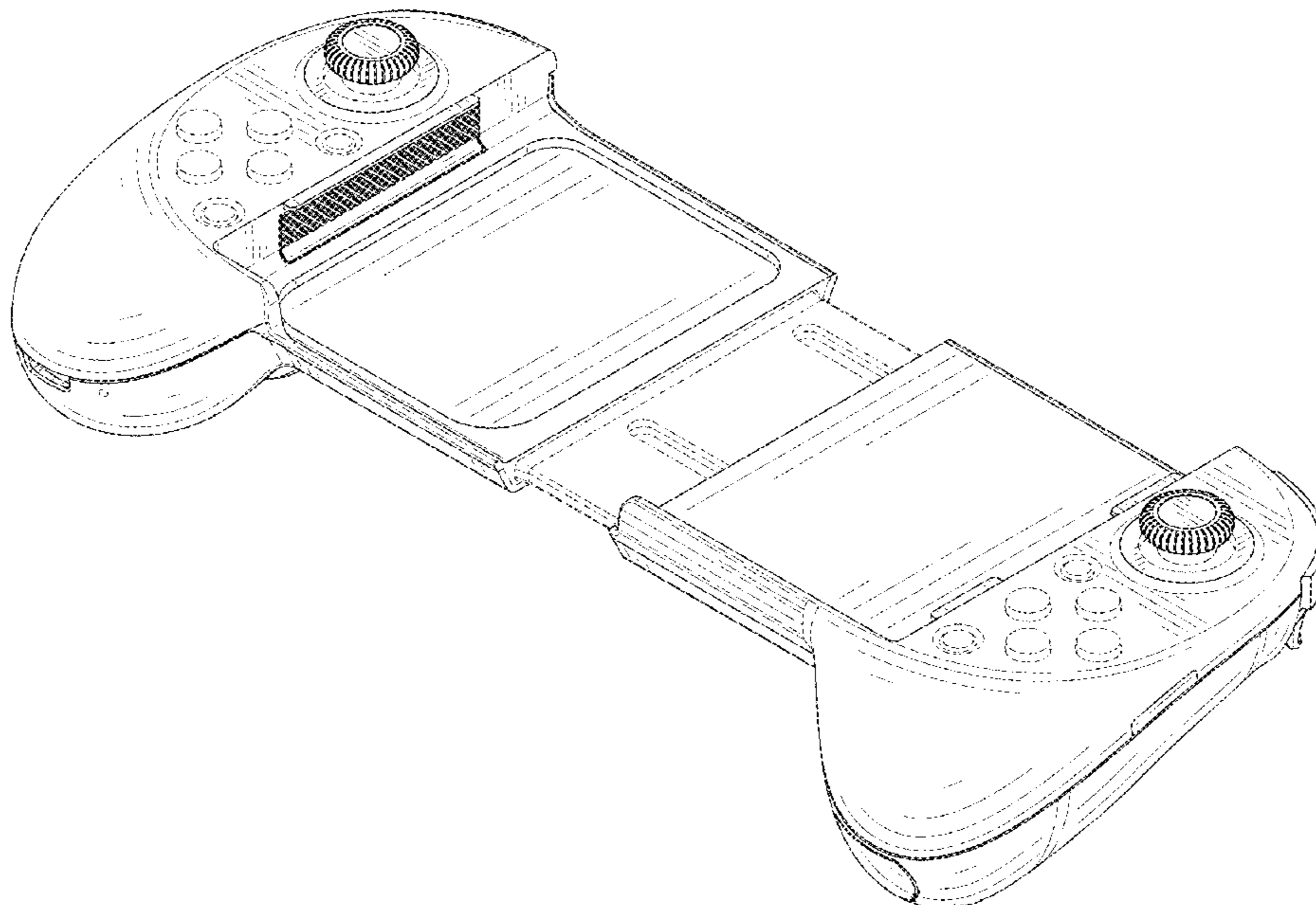
(57) **CLAIM**

The ornamental design for a game controller for mobile telephone, as shown and described.

DESCRIPTION

FIG. 1 is a top perspective view of a game controller for mobile telephone in closed position, showing my new design;
FIG. 2 is a bottom perspective view thereof;
FIG. 3 is a front view thereof;
FIG. 4 is a back view thereof;
FIG. 5 is a left side view thereof;
FIG. 6 is a right side view thereof;
FIG. 7 is a top view thereof;
FIG. 8 is a bottom view thereof; and,
FIG. 9 is a top perspective view showing the game controller for mobile telephone in an extended position.
The broken lines in the drawings depict portions of the game controller for mobile telephone that form no part of the claimed design.

1 Claim, 9 Drawing Sheets



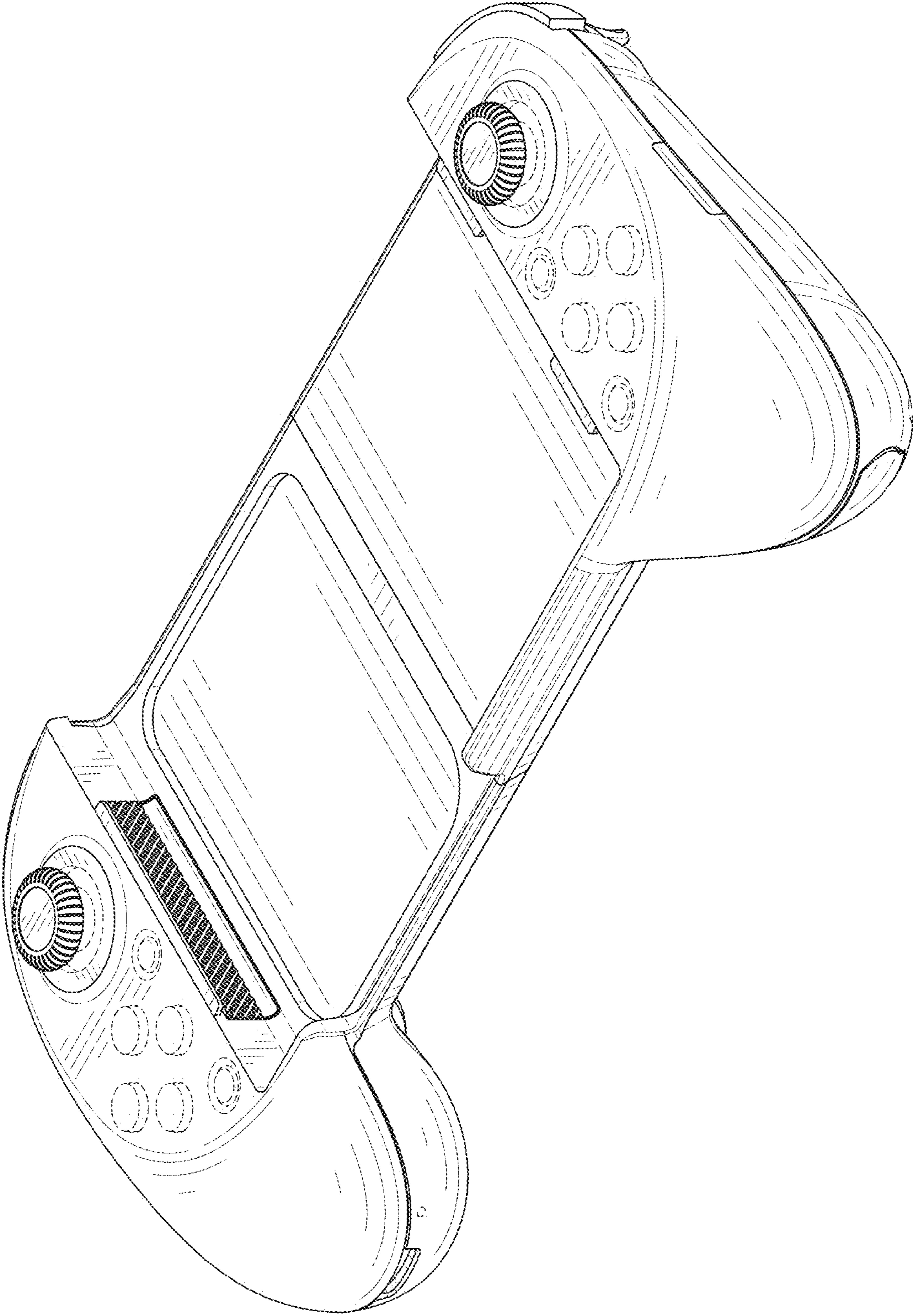


FIG. 1

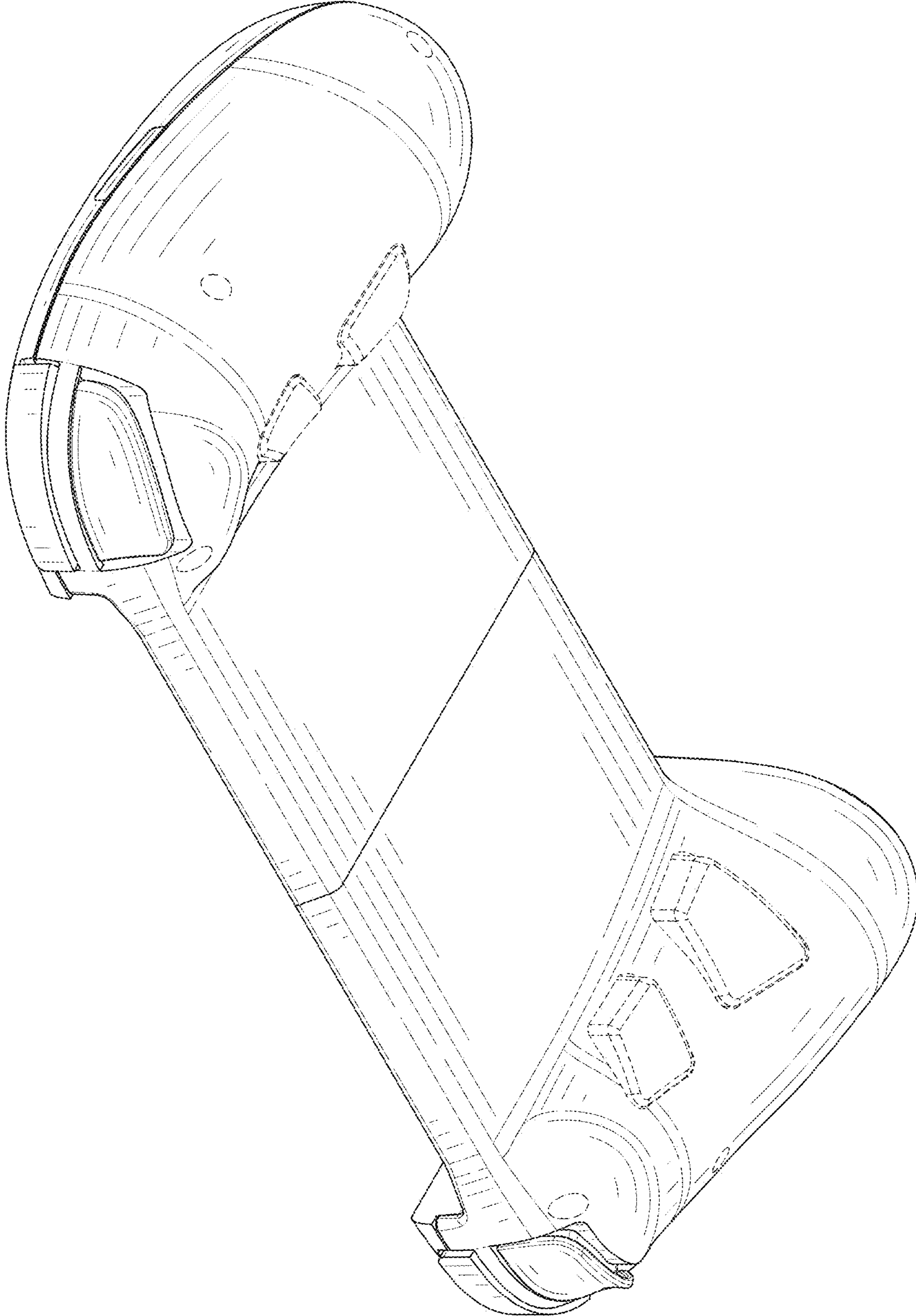


FIG. 2

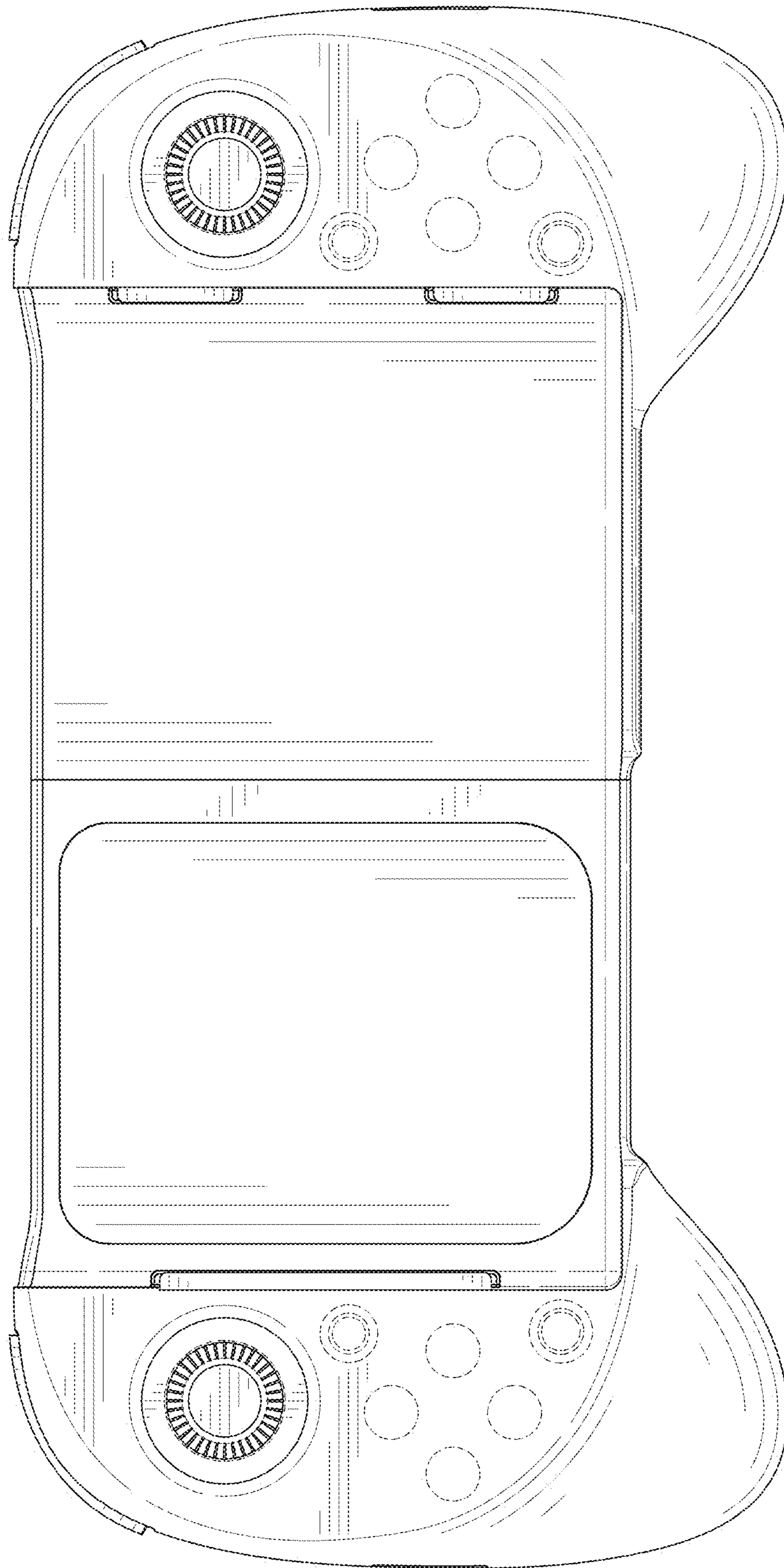


FIG. 3

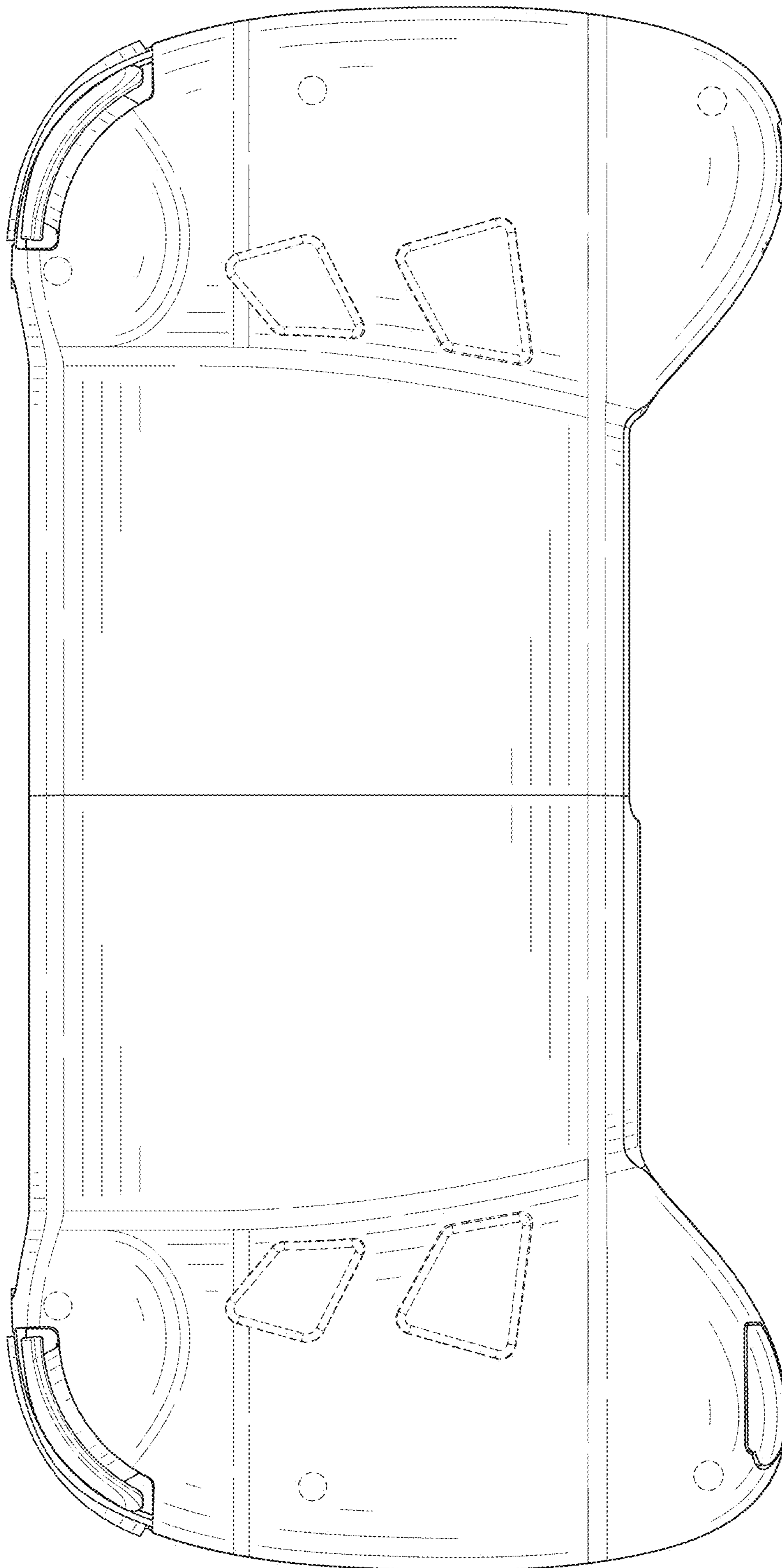


FIG. 4

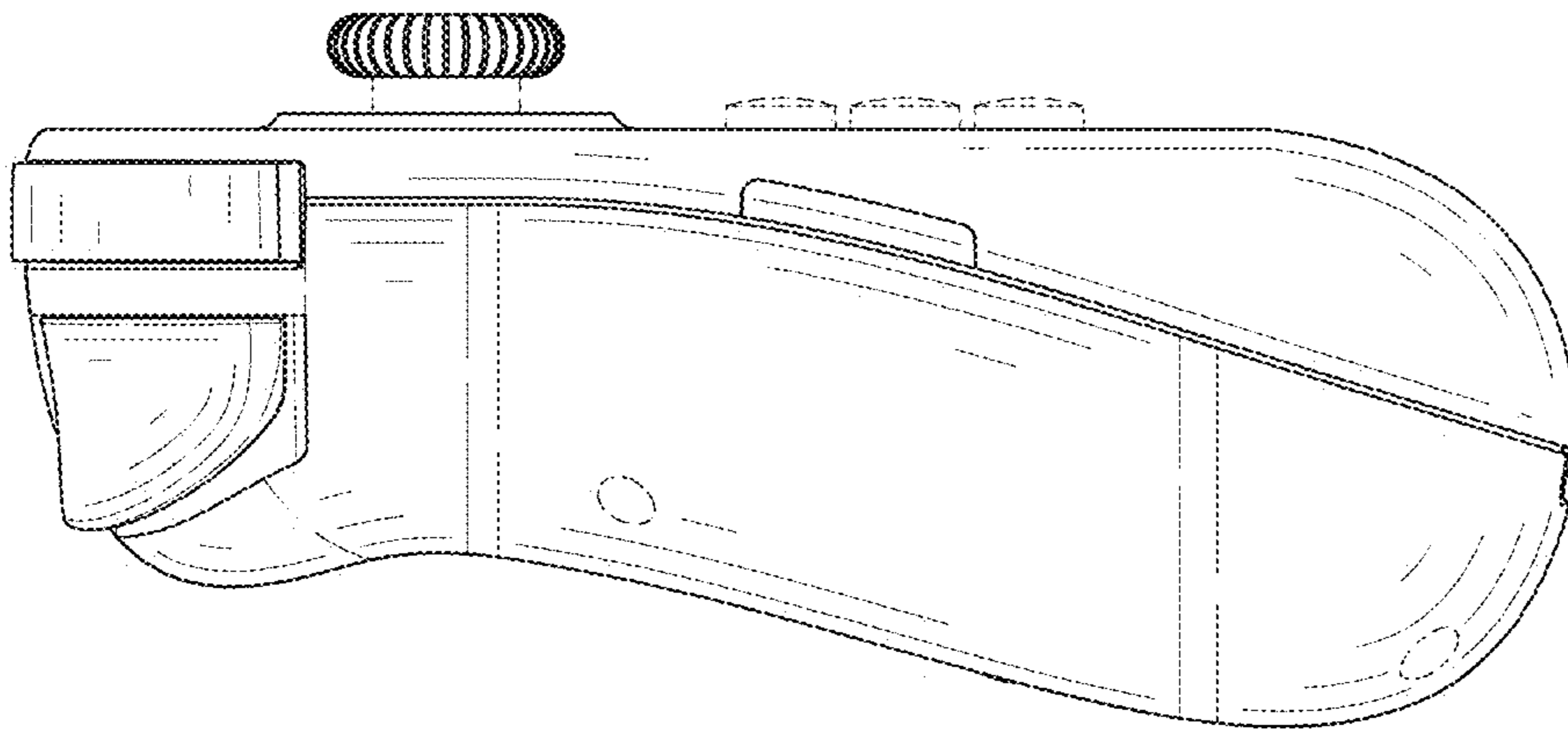


FIG. 5

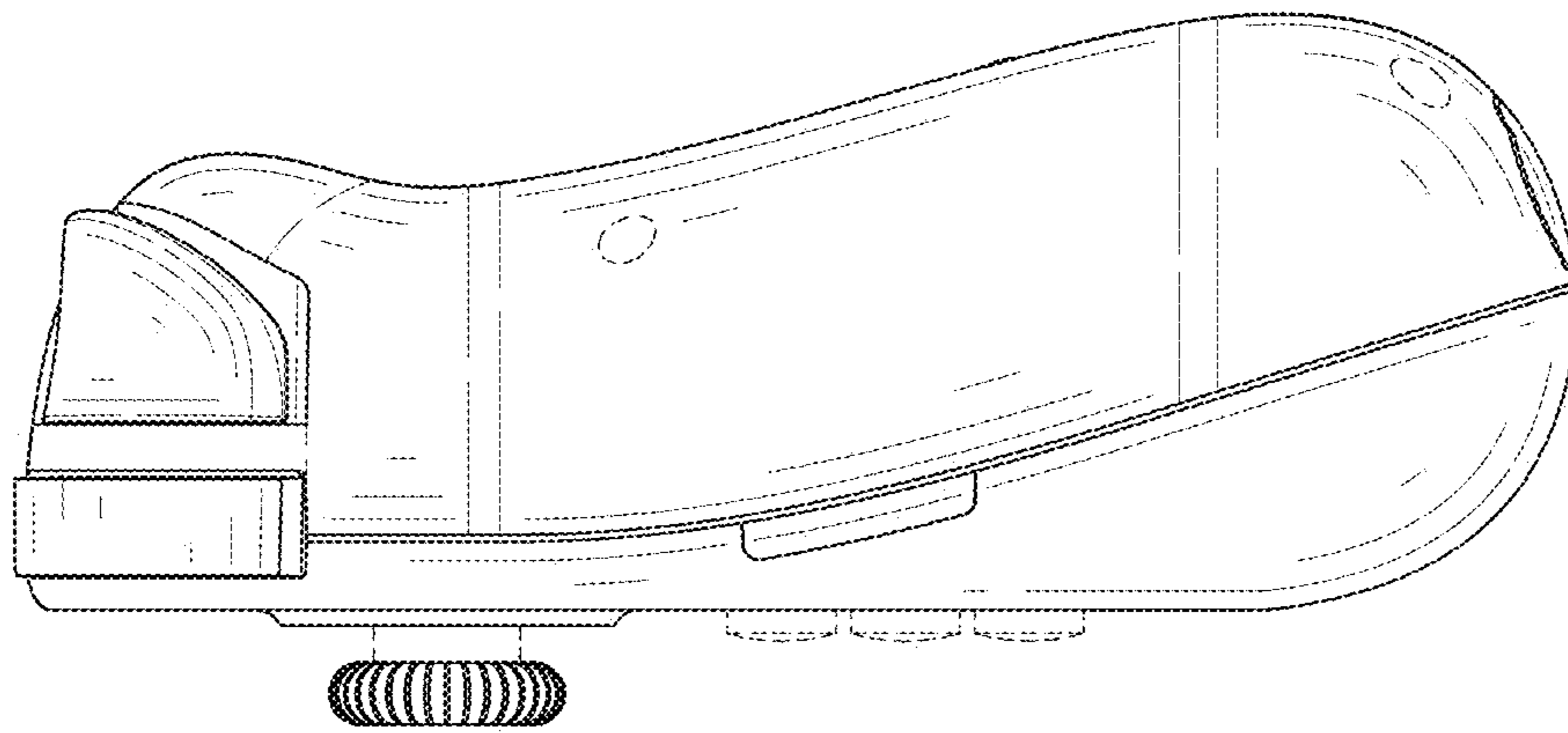


FIG. 6

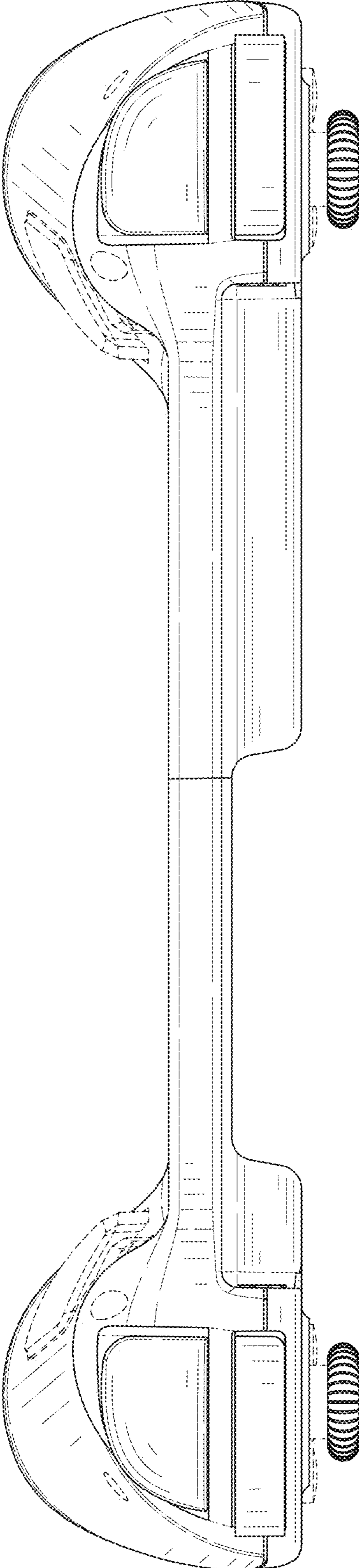


FIG. 7

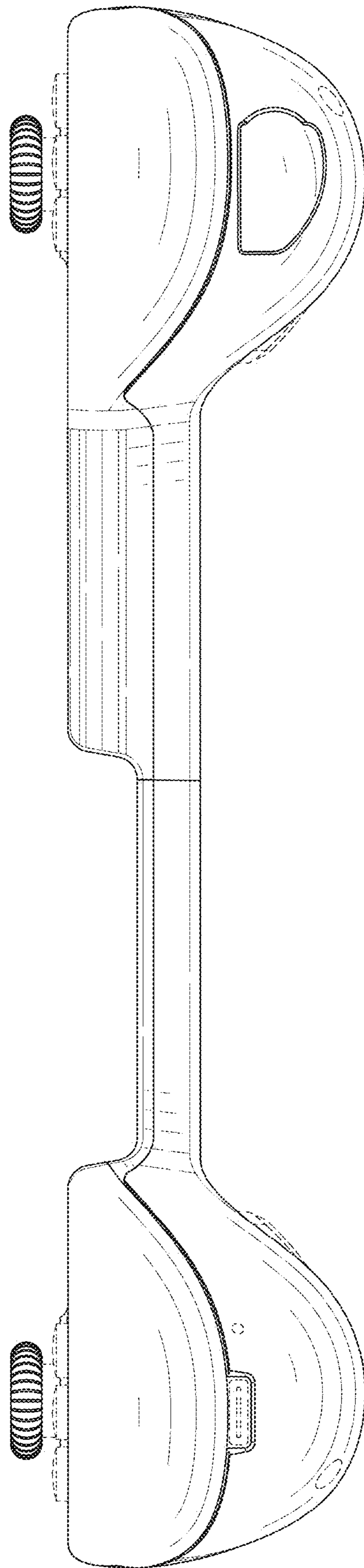


FIG. 8

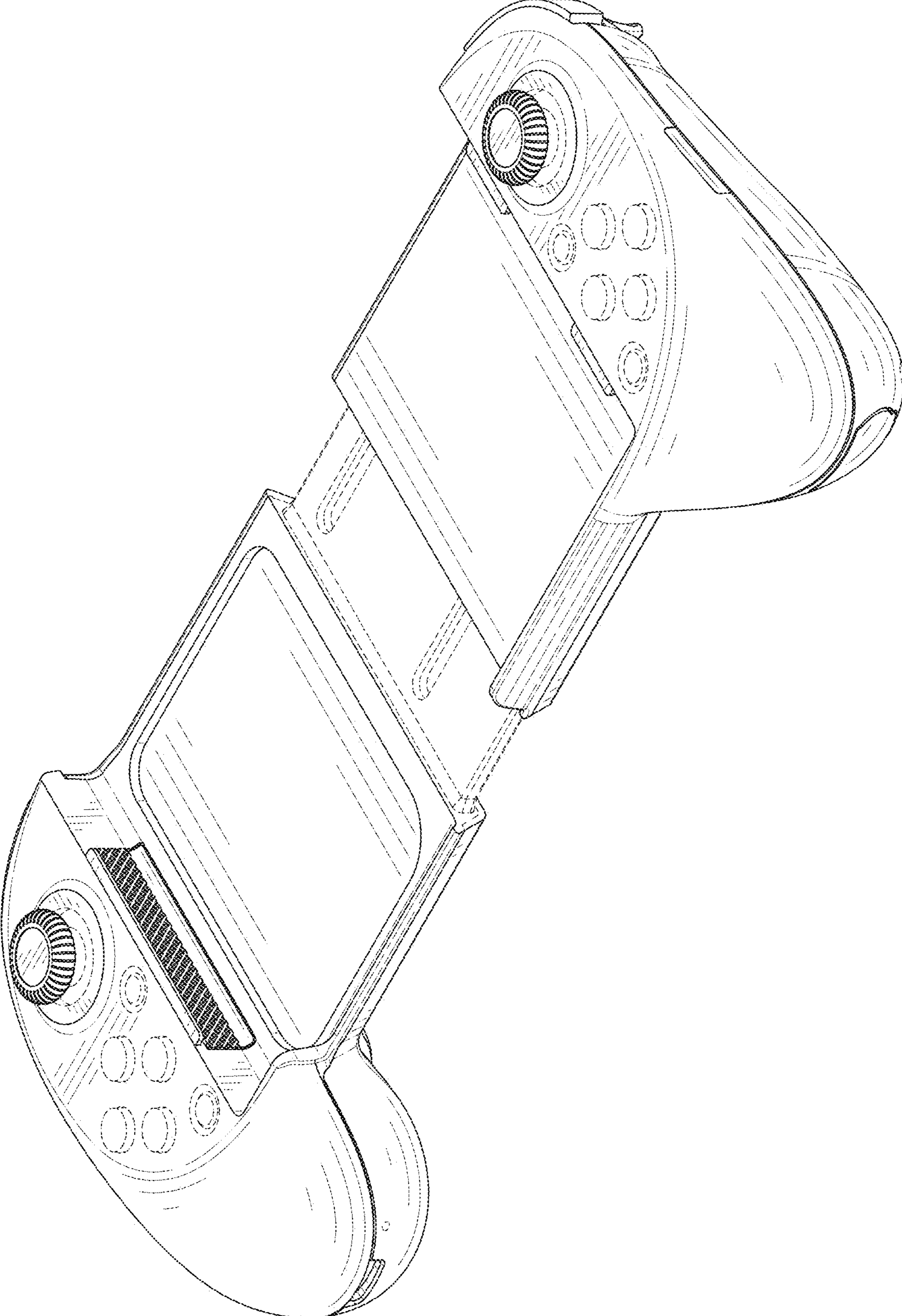


FIG. 9