



US00D975183S

(12) **United States Design Patent**  
**Weaver**

(10) **Patent No.:** **US D975,183 S**  
(45) **Date of Patent:** **\*\* Jan. 10, 2023**

- (54) **SMART VENDING MACHINE**
- (71) Applicant: **Lauren R. Weaver**, Washington, DC  
(US)
- (72) Inventor: **Lauren R. Weaver**, Washington, DC  
(US)
- (\*\*) Term: **15 Years**
- (21) Appl. No.: **29/837,101**
- (22) Filed: **May 2, 2022**
- (51) **LOC (14) Cl.** ..... **20-01**
- (52) **U.S. Cl.**  
USPC ..... **D20/1**
- (58) **Field of Classification Search**  
USPC .... D14/301, 371, 388, 389; D20/1, 3, 4, 10,  
D20/11, 21, 22, 23, 28, 40, 42, 99  
CPC ..... G09F 2003/0255; G09F 2003/0208; G09F  
2003/0201; G09F 2003/0273; G09F  
2003/0276; G09F 2003/0277  
See application file for complete search history.

9,934,657	B2	4/2018	Yancher et al.	
D838,823	S *	1/2019	Yu .....	D23/364
10,628,789	B2	4/2020	Hewett et al.	
D892,935	S *	8/2020	Ducay Ferré .....	D20/39
D893,627	S	8/2020	Twarog et al.	
D902,313	S	11/2020	Twarog et al.	
D905,159	S	12/2020	Winsor	
10,869,537	B2 *	12/2020	Yang .....	A45D 42/10
10,902,371	B2	1/2021	Goldberg et al.	
10,970,767	B2	4/2021	Conforti	
D925,928	S *	7/2021	Yang .....	D6/309
D929,952	S *	9/2021	Horowitz .....	D14/126
11,157,886	B2	10/2021	Winsor et al.	
D935,587	S *	11/2021	Wu .....	D23/364
11,200,558	B2	12/2021	Qin et al.	
D941,073	S *	1/2022	Mycroft .....	D7/314
2006/0096997	A1	5/2006	Yeo	
2006/0293956	A1	12/2006	Walker et al.	
2010/0191369	A1	7/2010	Kim	
2010/0268792	A1	10/2010	Butler et al.	

(Continued)

*Primary Examiner* — Catherine Ho  
(74) *Attorney, Agent, or Firm* — Innovent Law, P.C.;  
Karima Gulick

(57) **CLAIM**

The ornamental design for a smart vending machine, as shown and described.

**DESCRIPTION**

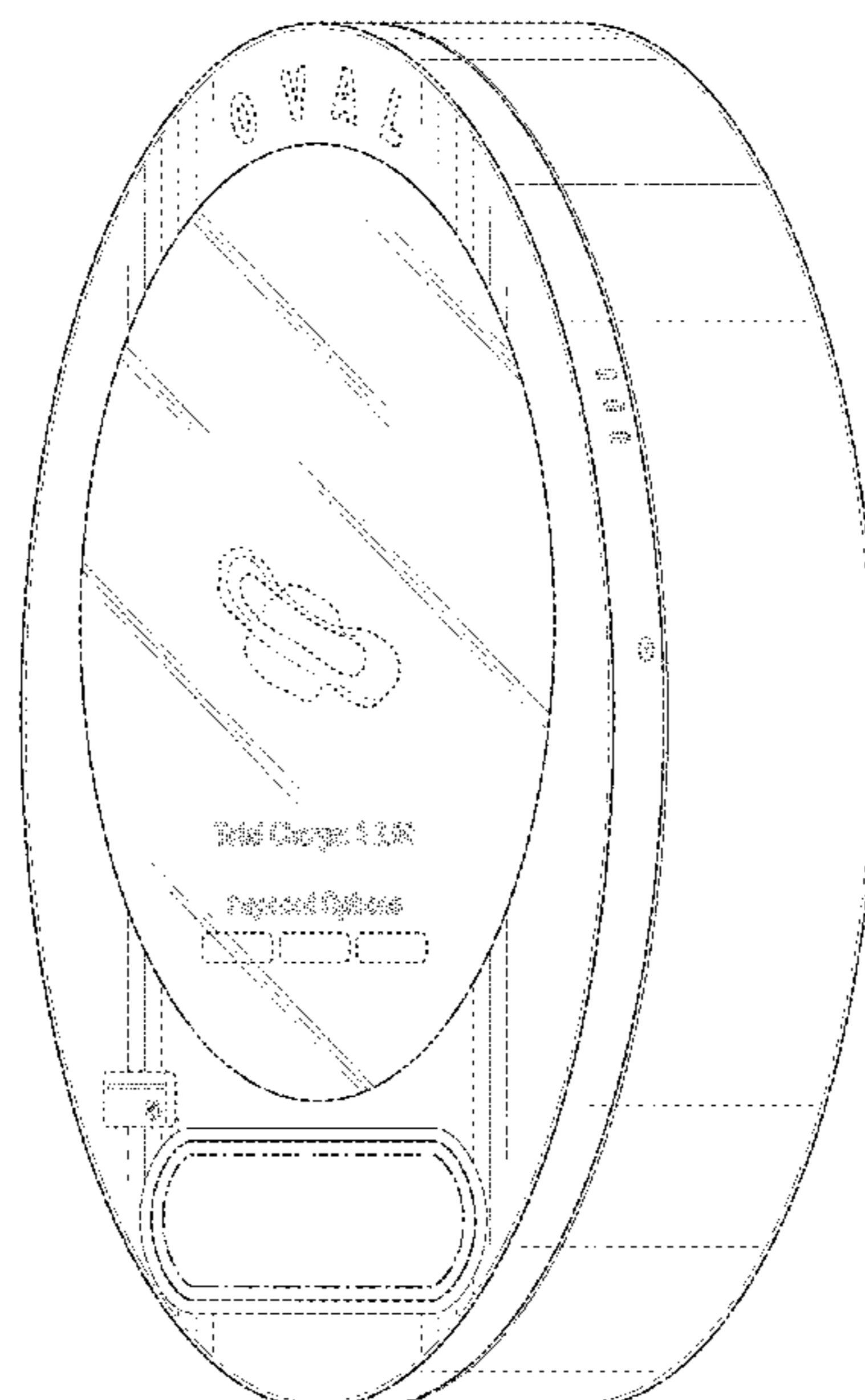
FIG. 1 is a front perspective view of a smart vending machine shown in an environment of use; FIG. 2 shows a front view thereof; FIG. 3 shows a rear view thereof; FIG. 4 shows a left-side view thereof; FIG. 5 shows a right-side view thereof; FIG. 6 shows a top view thereof; and, FIG. 7 shows a bottom view thereof. All broken lines show environment and form no part of the claimed design.

**1 Claim, 5 Drawing Sheets**

(56) **References Cited**

U.S. PATENT DOCUMENTS

D341,721	S *	11/1993	Wenkman .....	D6/300
D520,064	S	5/2006	Worthington	
D540,389	S	4/2007	Melanson	
D642,218	S	7/2011	Sanders et al.	
D665,030	S *	8/2012	Podd .....	D20/42
D687,532	S *	8/2013	Choi .....	D23/364
D735,907	S *	8/2015	Campagna .....	D26/28
9,122,881	B2	9/2015	Walker et al.	
9,153,089	B1	10/2015	Hewett et al.	
D754,446	S *	4/2016	Yang .....	D6/309
9,349,238	B2	5/2016	Tkachenko et al.	
9,638,410	B2 *	5/2017	Yang .....	F21V 33/0004
D794,766	S *	8/2017	Patton .....	D6/309
9,898,884	B1	2/2018	Arora et al.	
9,922,488	B2	3/2018	Joshi et al.	



(56)

**References Cited**

U.S. PATENT DOCUMENTS

2013/0006416	A1	1/2013	Canter
2014/0358705	A1	12/2014	Harrington et al.
2016/0314640	A1	10/2016	Ward et al.
2018/0218561	A1	8/2018	Oldroyd et al.
2019/0244211	A1	8/2019	Saunders et al.
2020/0242877	A1	7/2020	Velten et al.
2020/0273042	A1	8/2020	Wang
2020/0294344	A1	9/2020	Adams et al.
2021/0073765	A1	3/2021	Xu
2021/0264714	A1	8/2021	Karibandi et al.
2022/0012976	A1	1/2022	Saupe et al.

\* cited by examiner

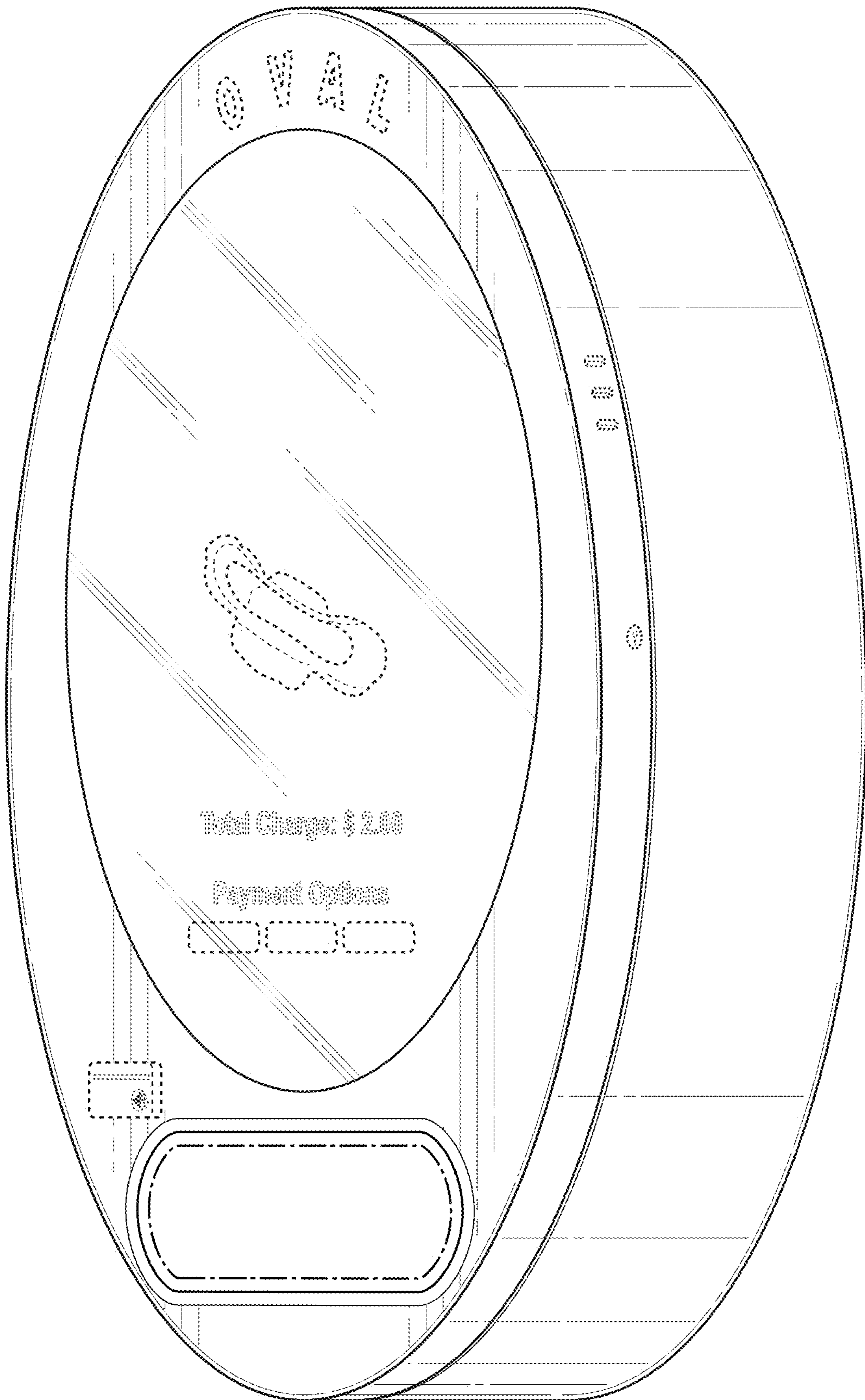


FIG. 1

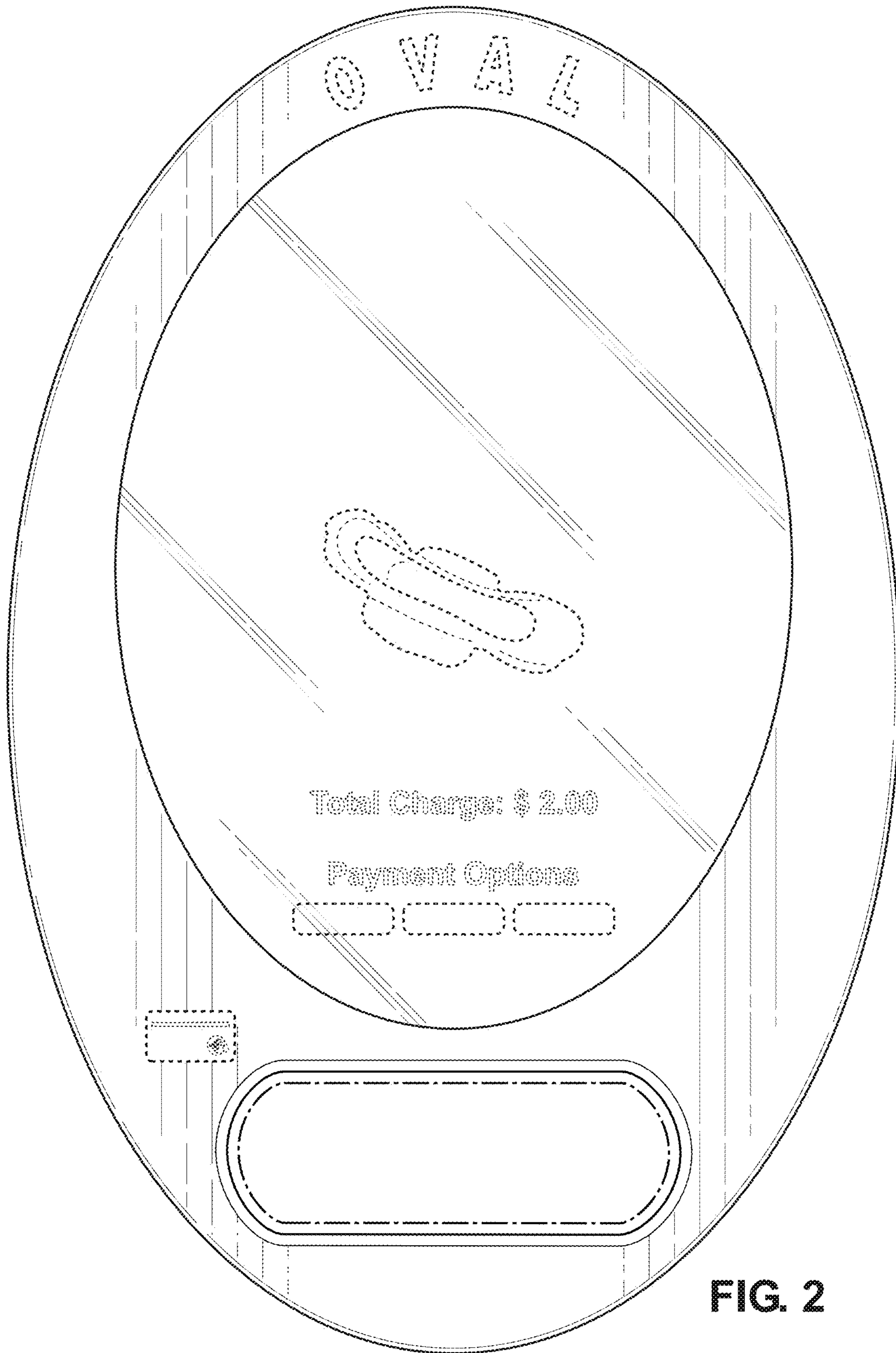
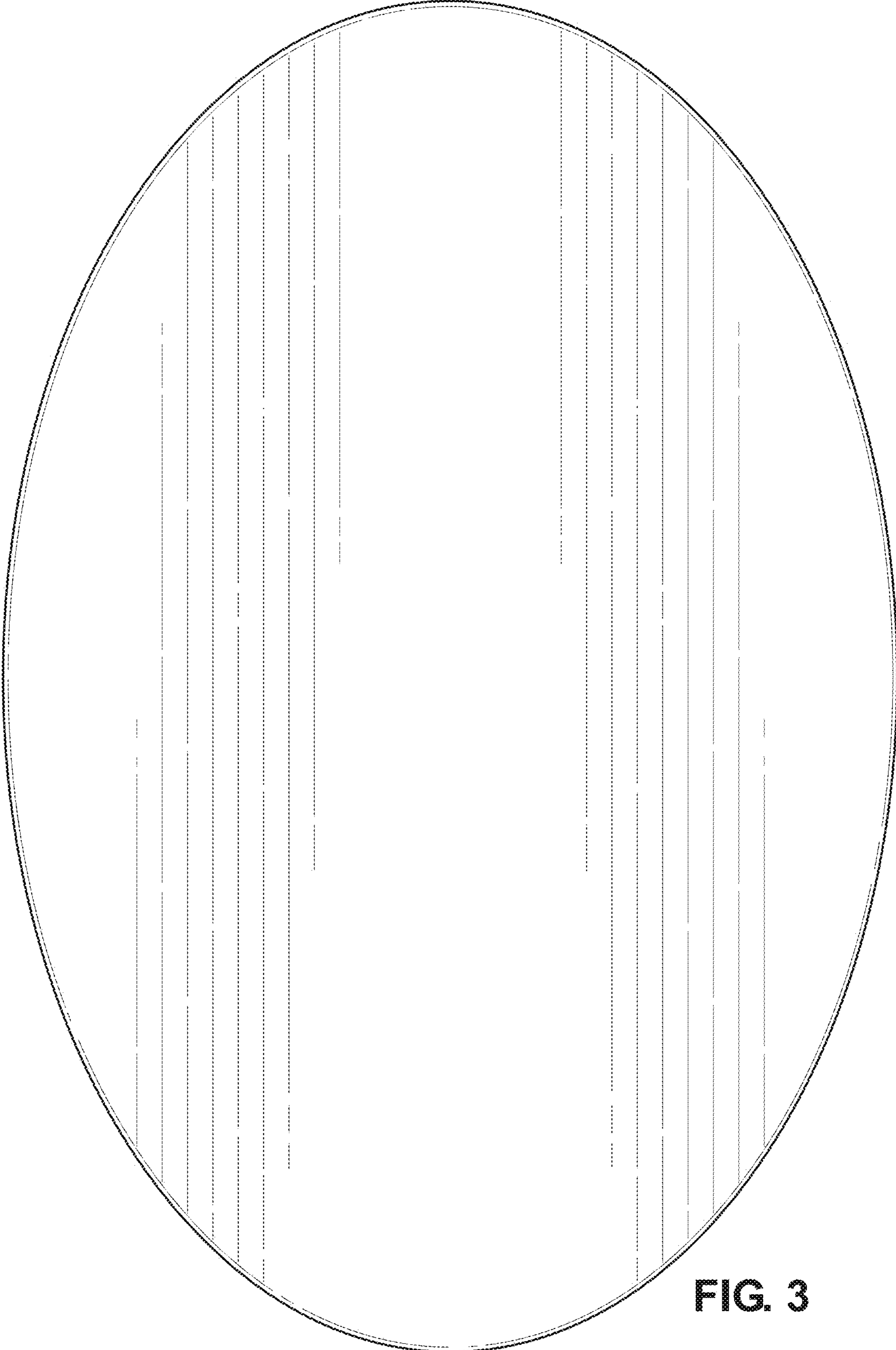


FIG. 2



**FIG. 3**

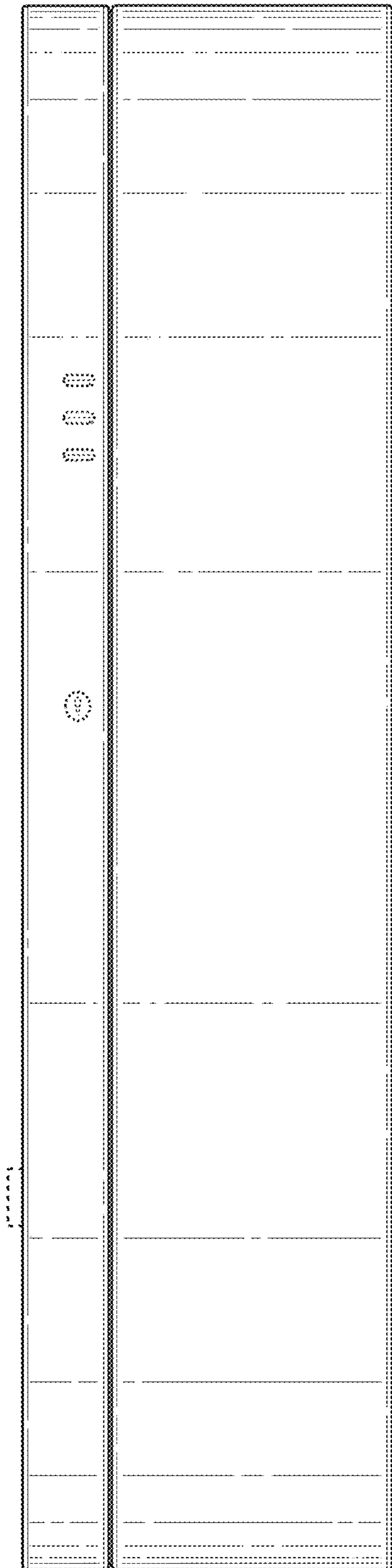


FIG. 4

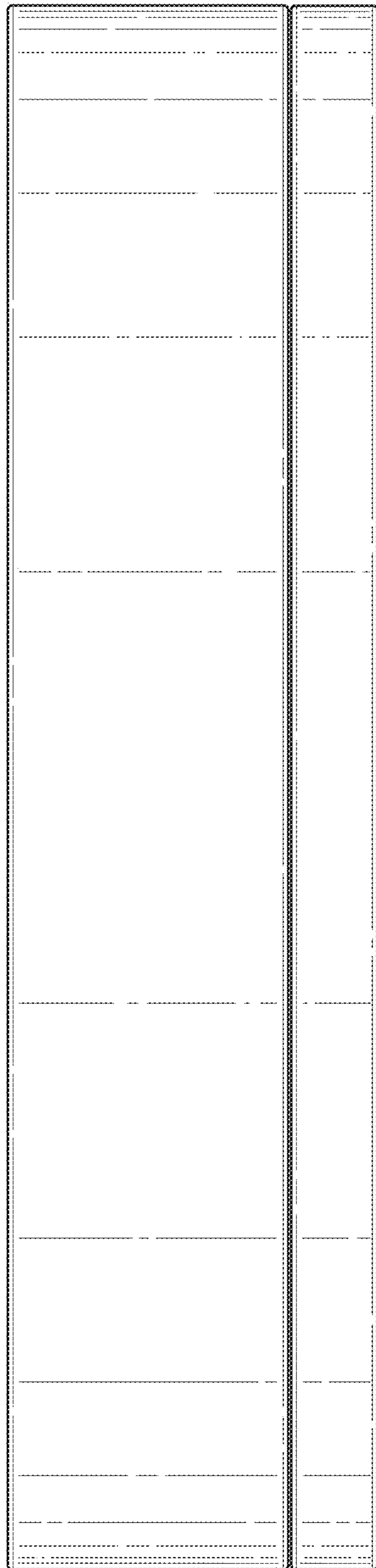
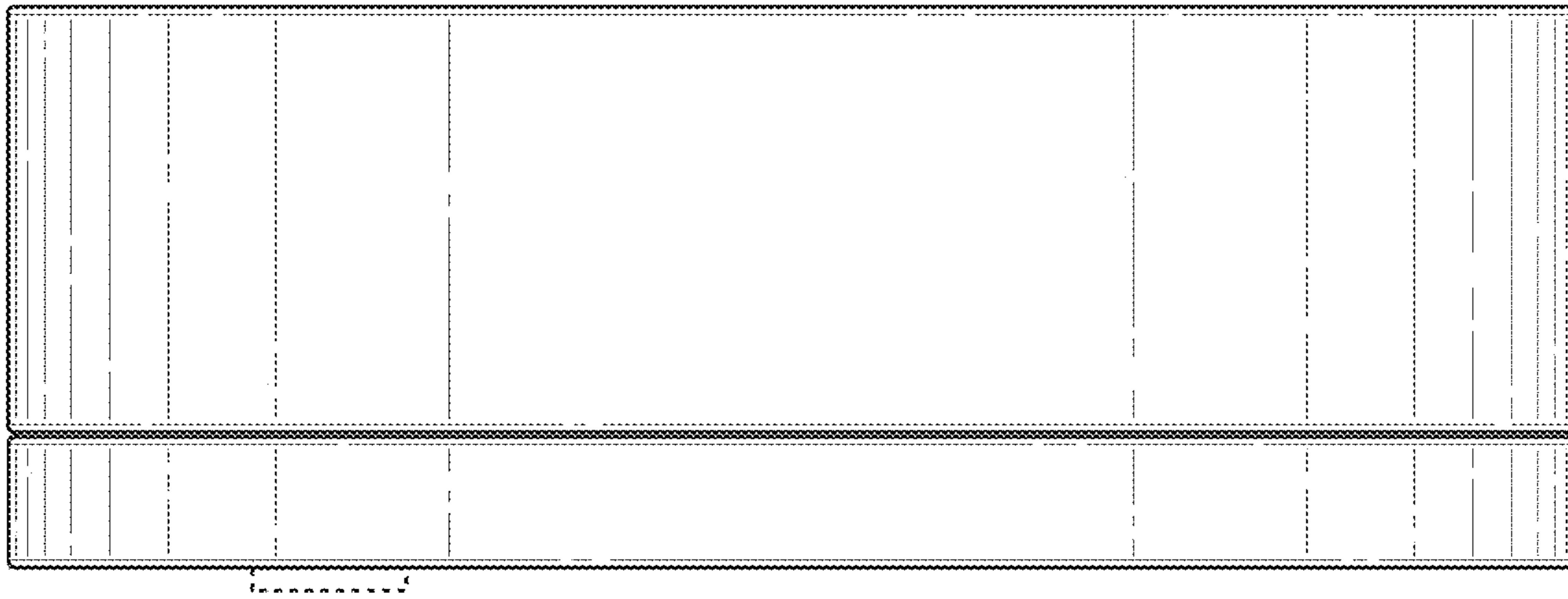
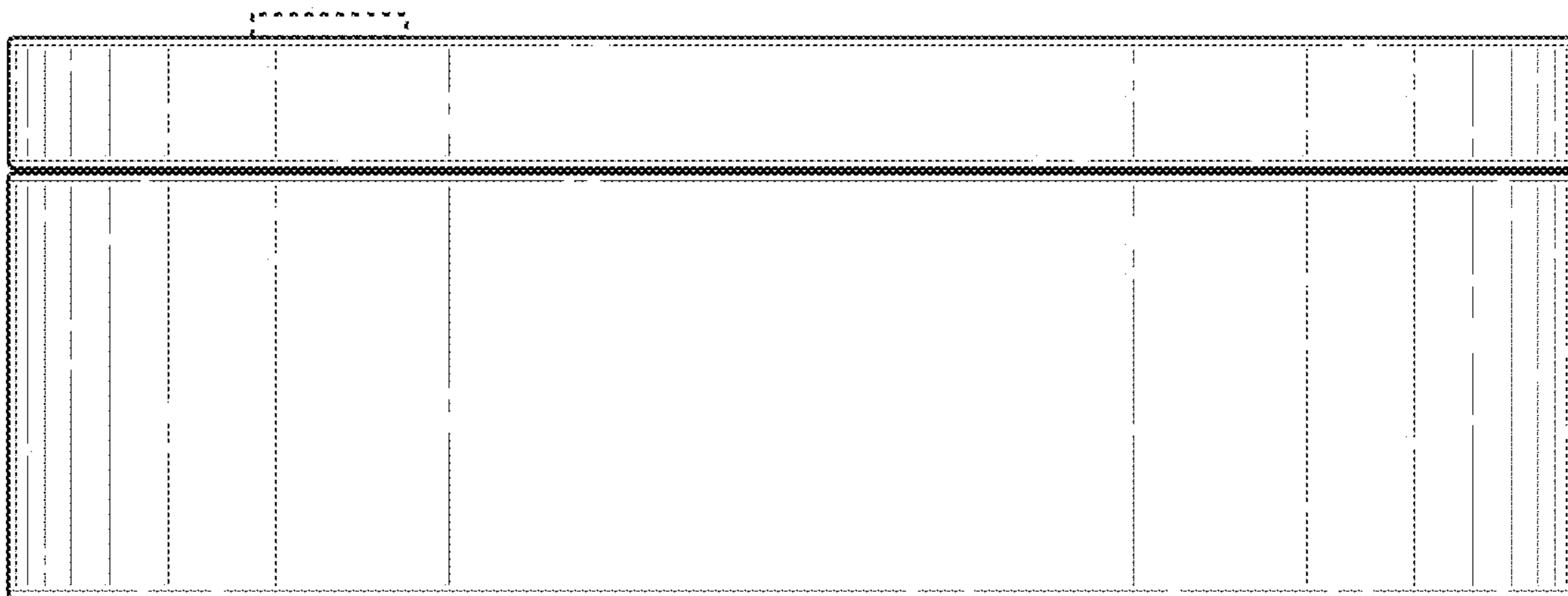


FIG. 5



**FIG. 6**



**FIG. 7**