



US00D975182S

(12) **United States Design Patent**
Zhao

(10) **Patent No.:** **US D975,182 S**
(45) **Date of Patent:** **** Jan. 10, 2023**

(54) **MARKER PEN**
(71) Applicant: **Huangzheng Zhao**, Jinhua (CN)
(72) Inventor: **Huangzheng Zhao**, Jinhua (CN)
(**) Term: **15 Years**
(21) Appl. No.: **29/796,869**
(22) Filed: **Jun. 28, 2021**
(51) **LOC (14) Cl.** **19-06**
(52) **U.S. Cl.**
USPC **D19/163**
(58) **Field of Classification Search**
USPC D10/86; D18/14, 15; D14/411, 341,
D14/480.3, 264; D19/117, 166, 917, 929,
D19/933, 916, 902, 115, 142, 160, 163,
D19/180, 186, 203, 133, 202, 201, 196,
D19/195, 162
CPC B43K 7/005; B43K 5/005; B43K 8/02;
B43K 29/00
See application file for complete search history.

D722,600 S * 2/2015 Dowd D14/411
D737,275 S * 8/2015 Dowd D14/411
D770,453 S * 11/2016 Sumsion D14/411
D780,266 S * 2/2017 Rimoux D19/117
D841,737 S * 2/2019 Hallar D19/177
D911,341 S * 2/2021 Nishizawa D14/411
D917,482 S * 4/2021 Lee D14/411
D921,111 S * 6/2021 Fish D19/117
D947,282 S * 3/2022 Zheng D19/117

OTHER PUBLICATIONS

Ohuhu Alcohol Markers,Amazon.com, date published Aug. 11, 2020,date retrieved Oct. 31, 2022,29796869—<https://amzn.to/3DVdB69> (Year: 2020).*
Gemvan Double Head Marker,Amazon.com,no date, date retrieved Oct. 31, 2022,29796869—<https://amzn.to/3fs2ZIK> (Year: 2022).*

* cited by examiner

Primary Examiner — Nicole C Shiflet
Assistant Examiner — Danielle Nichole Bowly
(74) *Attorney, Agent, or Firm* — Georgi Korobanov

(57) **CLAIM**

The ornamental design for a marker pen, as shown and described.

DESCRIPTION

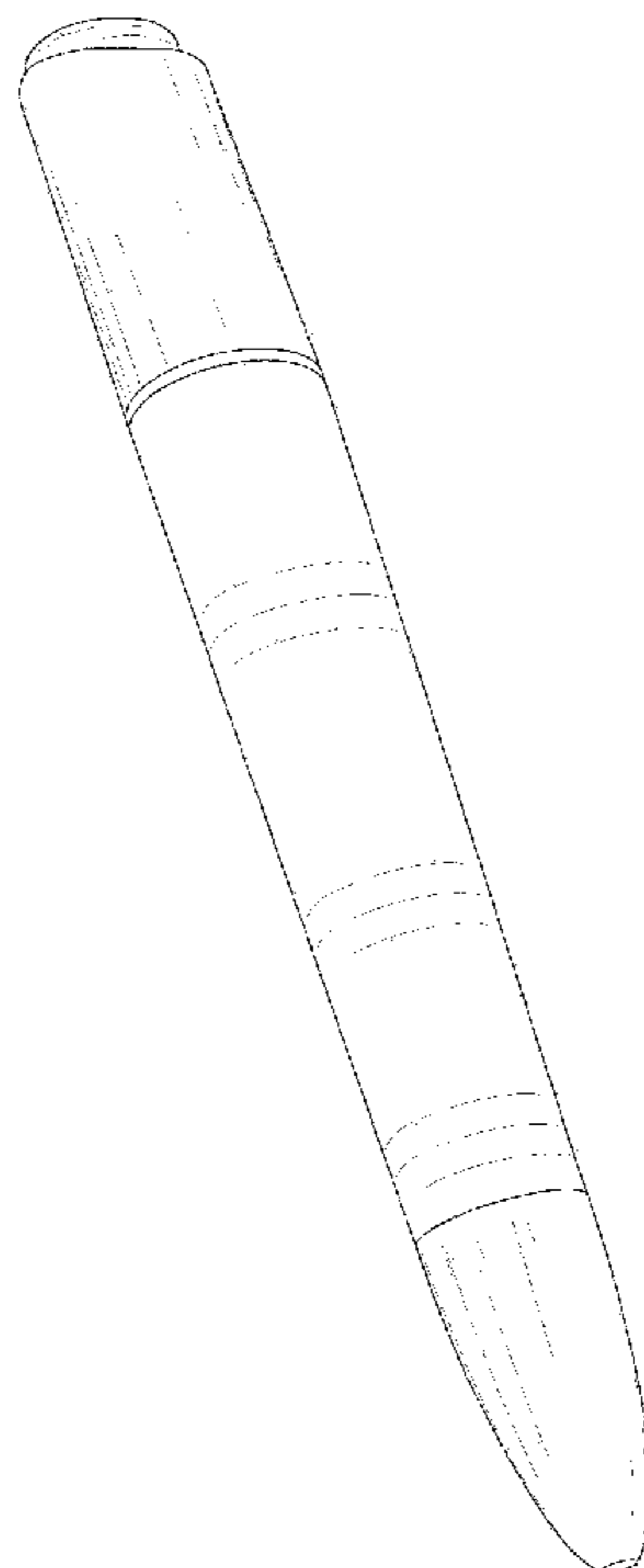
FIG. 1 is a perspective view of a marker pen showing my new design;
FIG. 2 is an exploded view thereof;
FIG. 3 is a front view thereof;
FIG. 4 is a rear view thereof;
FIG. 5 is a left side view thereof;
FIG. 6 is a right side view thereof;
FIG. 7 is a top plan view thereof; and,
FIG. 8 is a bottom plan view thereof.

1 Claim, 8 Drawing Sheets

(56) **References Cited**

U.S. PATENT DOCUMENTS

D369,384 S * 4/1996 Yasoshima D19/117
D395,875 S * 7/1998 Aiken D14/411
D448,407 S * 9/2001 Huang D19/933
D457,916 S * 5/2002 Reichmann D19/163
D460,485 S * 7/2002 Keda D19/163
D545,895 S * 7/2007 Okutani D19/117
D580,489 S * 11/2008 Ma D19/927
D589,555 S * 3/2009 Li D19/163
D590,876 S * 4/2009 Shi D19/117
D626,994 S * 11/2010 Gerules D19/117
D667,876 S * 9/2012 Xie D19/163
D719,163 S * 12/2014 Dowd D14/411



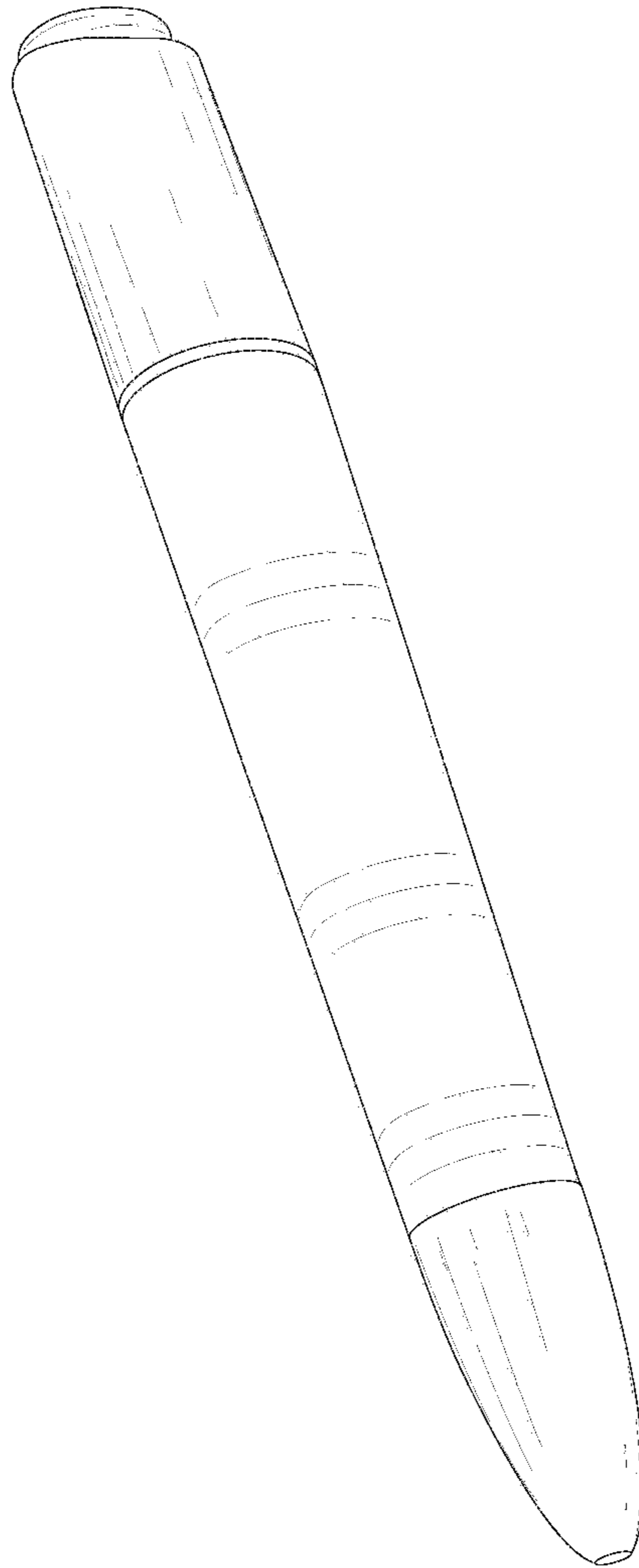


FIG.1

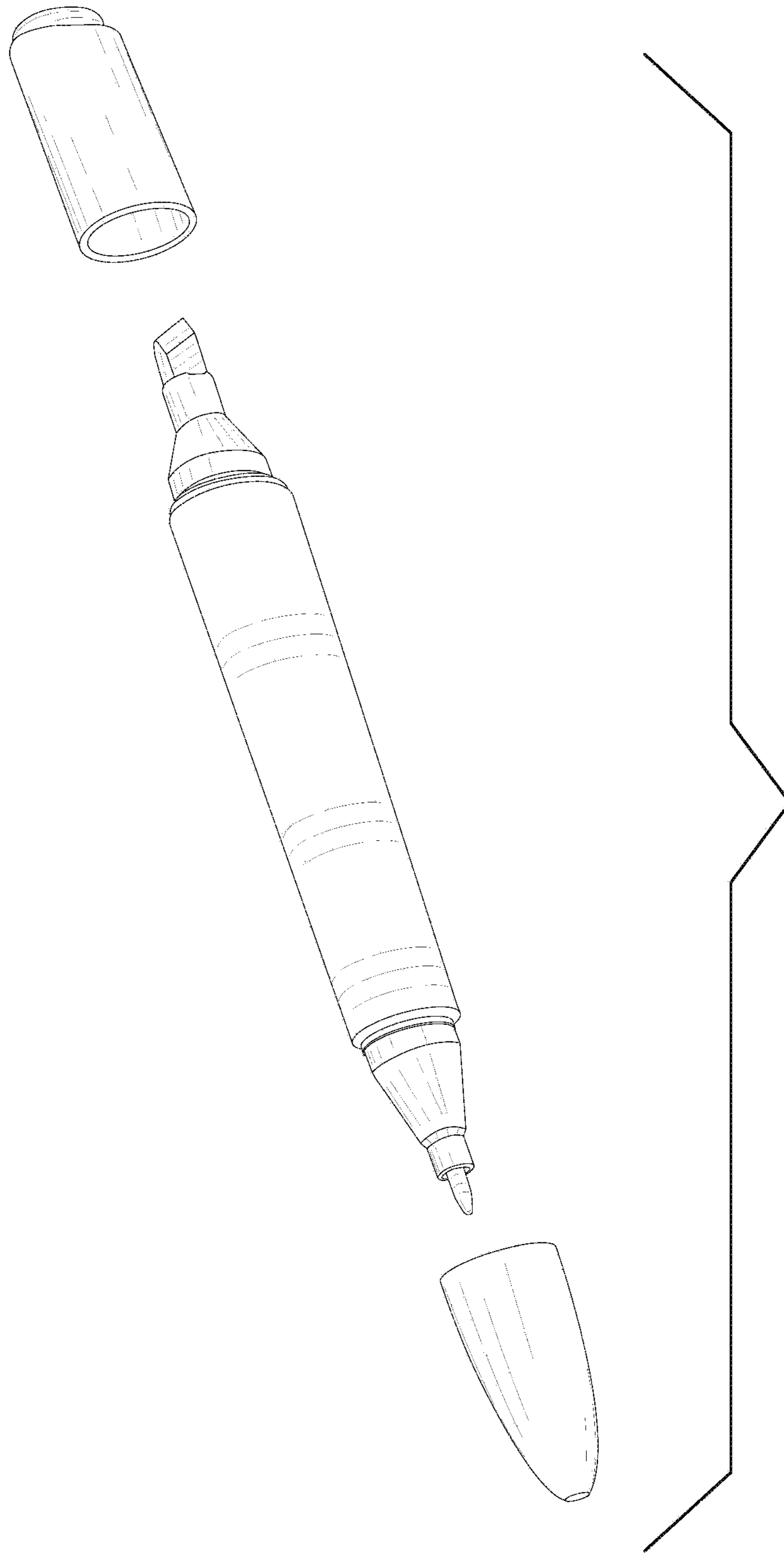


FIG.2

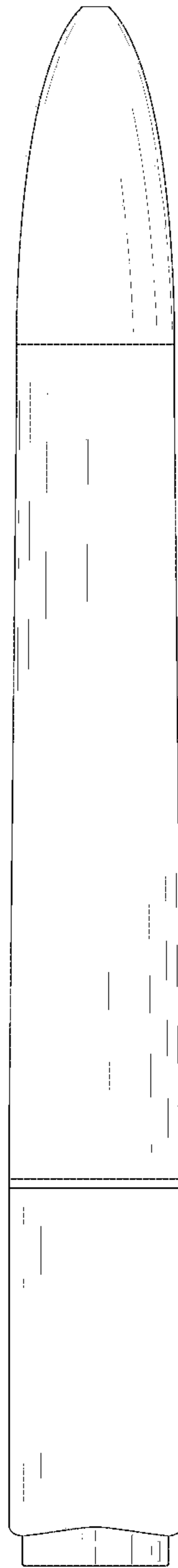


FIG.3

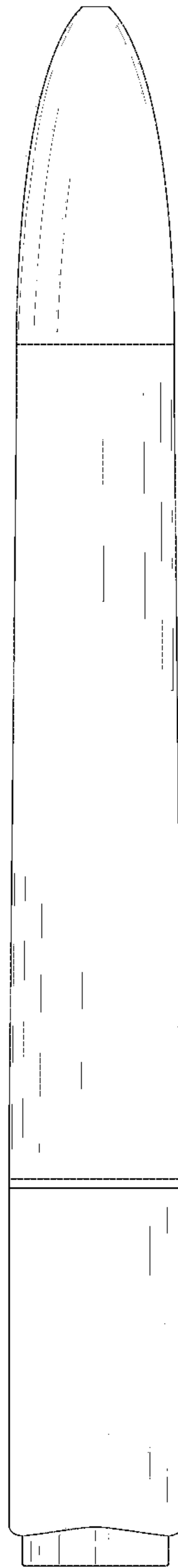


FIG.4

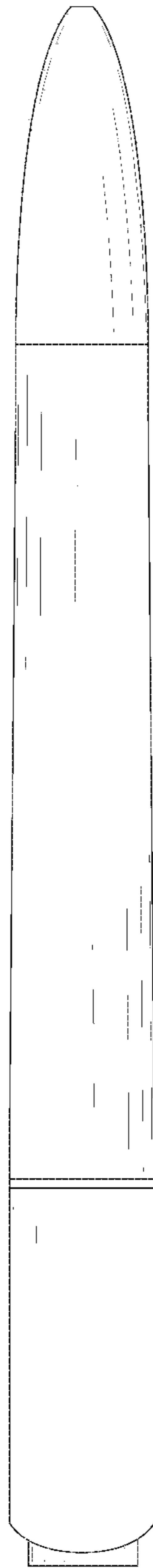


FIG.5

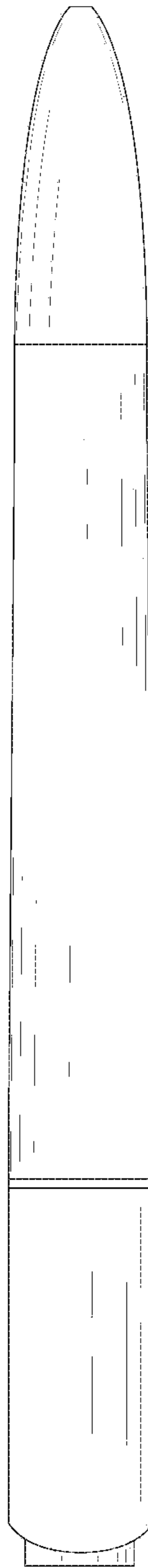


FIG.6

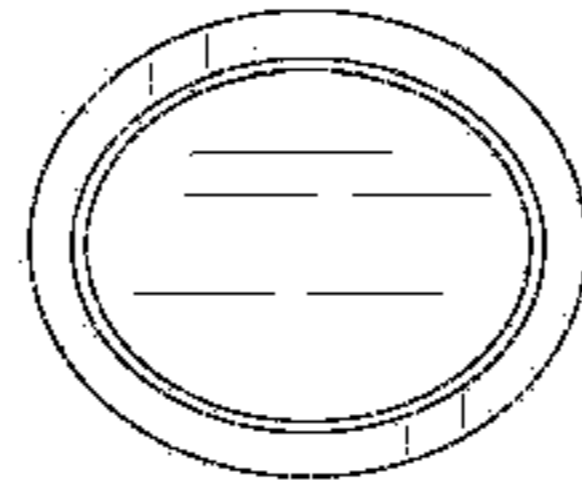


FIG. 7

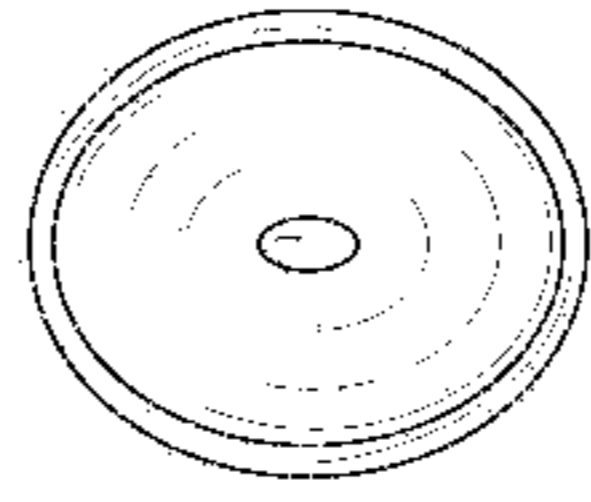


FIG.8