



US00D975181S

(12) **United States Design Patent**  
**Zhong**

(10) **Patent No.:** **US D975,181 S**  
(45) **Date of Patent:** **\*\* Jan. 10, 2023**

(54) **3D PRINTING PEN**

(71) Applicant: **Sanxi Zhong**, Yueyang (CN)

(72) Inventor: **Sanxi Zhong**, Yueyang (CN)

(\*\*) Term: **15 Years**

(21) Appl. No.: **29/739,674**

(22) Filed: **Jun. 29, 2020**

(51) **LOC (14) Cl.** ..... **19-06**

(52) **U.S. Cl.**  
USPC ..... **D19/135**; D19/139

(58) **Field of Classification Search**  
USPC ..... D19/115–204, 904, 906, 914, 934;  
D14/411  
CPC ..... B43K 25/028; B43K 21/22; B43K 5/005;  
B43K 7/12; B43K 8/04; B43K 8/06;  
B43K 19/00; B43K 19/02; B43K 19/14;  
B43K 21/006; B43K 21/06  
See application file for complete search history.

(56) **References Cited**

**U.S. PATENT DOCUMENTS**

D189,880 S *	3/1961	Blake	.....	D21/659
D363,948 S *	11/1995	Danielson	.....	D19/179
D661,890 S *	6/2012	van der Lande	.....	D3/211
D766,569 S *	9/2016	Lee	.....	D21/604
9,701,065 B2 *	7/2017	Hang	.....	B29C 64/106
D801,431 S *	10/2017	Kao	.....	D19/177
10,406,746 B2 *	9/2019	Huang	.....	B33Y 30/00

**FOREIGN PATENT DOCUMENTS**

CN	304427266	*	12/2017
EM	005841228-0001	*	12/2018
GB	9004037174-0001	*	6/2017
GB	9004681617-0001	*	1/2018
GB	9004681617-0002	*	1/2018
GB	9006600128-0002	*	6/2019

**OTHER PUBLICATIONS**

Making a Colorful Mask posted by Peter Draws posted date Nov. 22, 2017, © YouTube, [online], [site visited Jun. 9, 2022]. Available from Internet, <https://www.youtube.com/watch?v=o3ogjJGKOag> (Year: 2017).\*

\* cited by examiner

*Primary Examiner* — Garth Rademaker  
*Assistant Examiner* — Laura H Yu

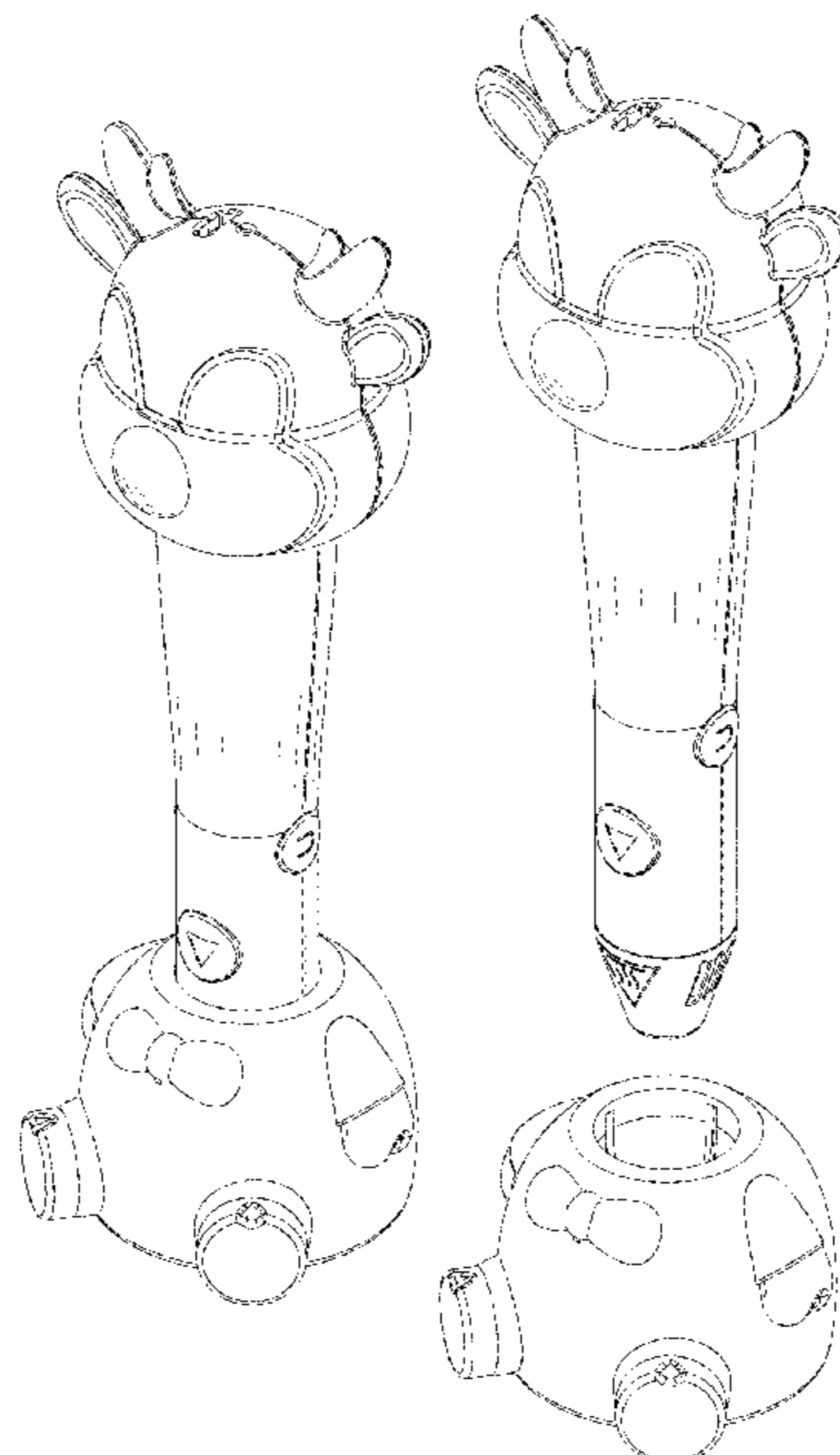
(57) **CLAIM**

The ornamental design for a 3D printing pen, as shown and described.

**DESCRIPTION**

FIG. 1 is a front, top perspective view of a 3D printing pen showing my new design;  
FIG. 2 is rear, bottom perspective view thereof;  
FIG. 3 is a front elevational view thereof;  
FIG. 4 is a rear elevational view thereof;  
FIG. 5 is a left side elevational view thereof;  
FIG. 6 is a right side elevational view thereof;  
FIG. 7 is a top plan view thereof;  
FIG. 8 is a bottom plan view thereof;  
FIG. 9 is an exploded front perspective view thereof;  
FIG. 10 is a front elevational view of the printing part of the 3D printing pen, with the base part omitted for ease of disclosure;  
FIG. 11 is a rear elevational view thereof;  
FIG. 12 is a left side elevational view thereof; and,  
FIG. 13 is a right side elevational view thereof.  
The broken lines in the figures illustrate portions of the 3D printing pen that form no part of the claimed design.

**1 Claim, 12 Drawing Sheets**



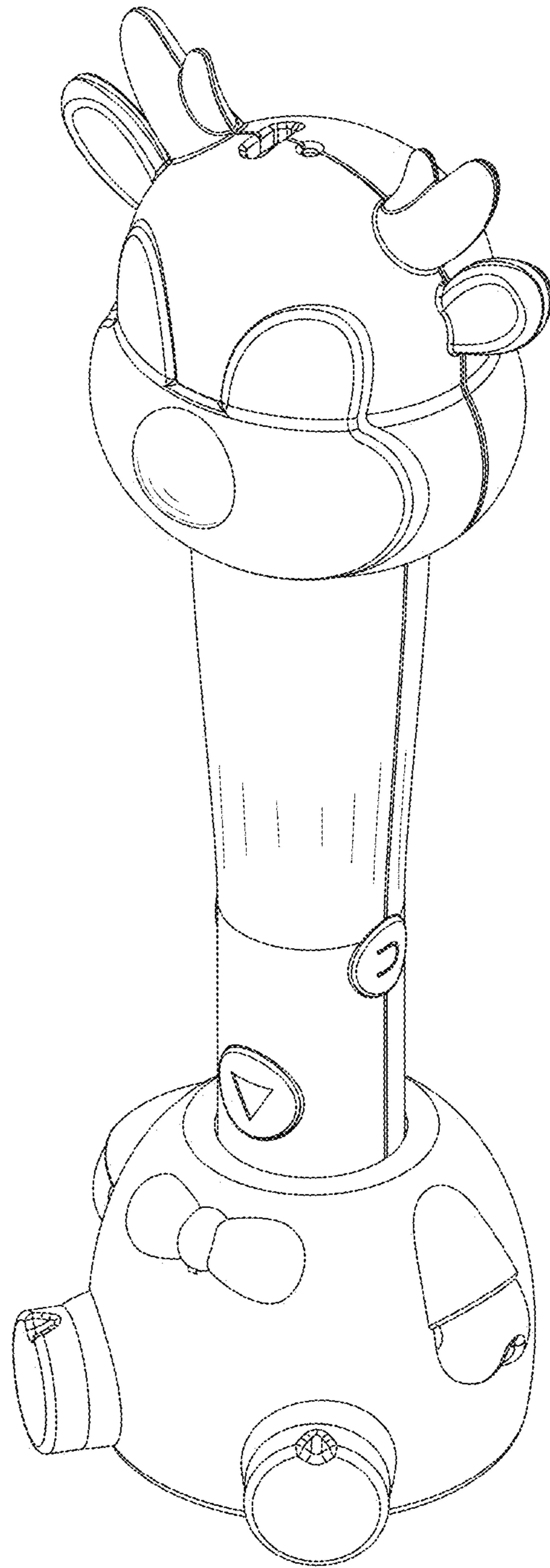


FIG. 1

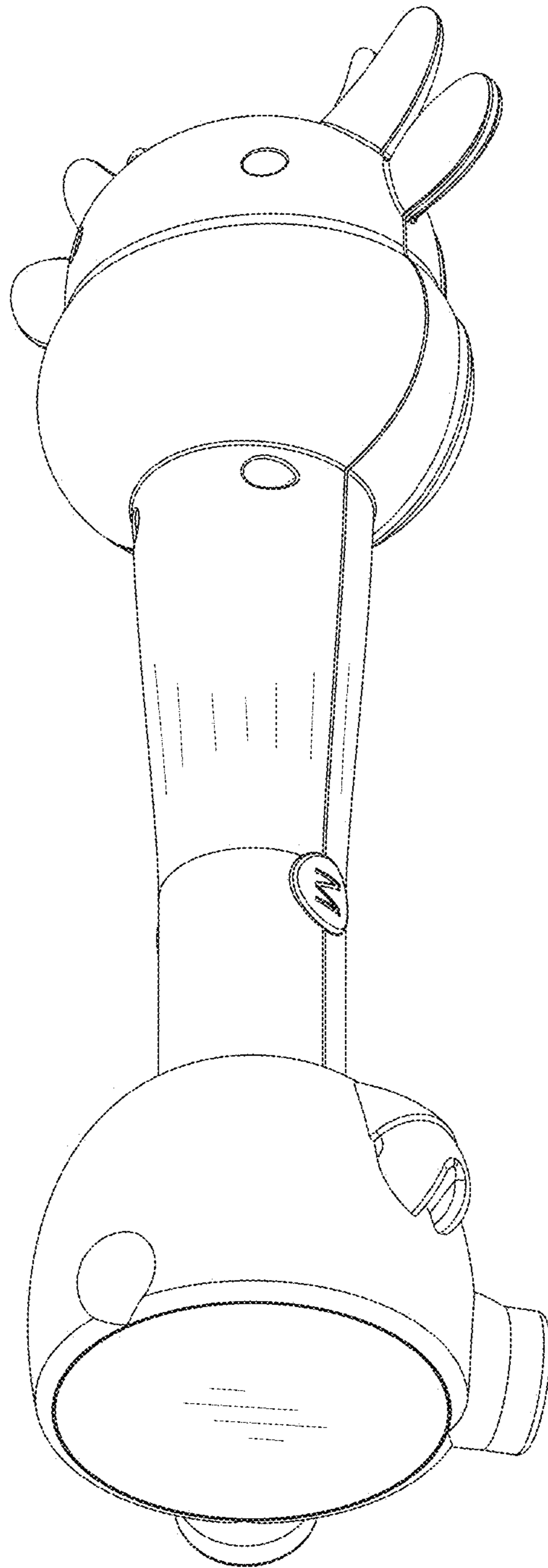


FIG. 2

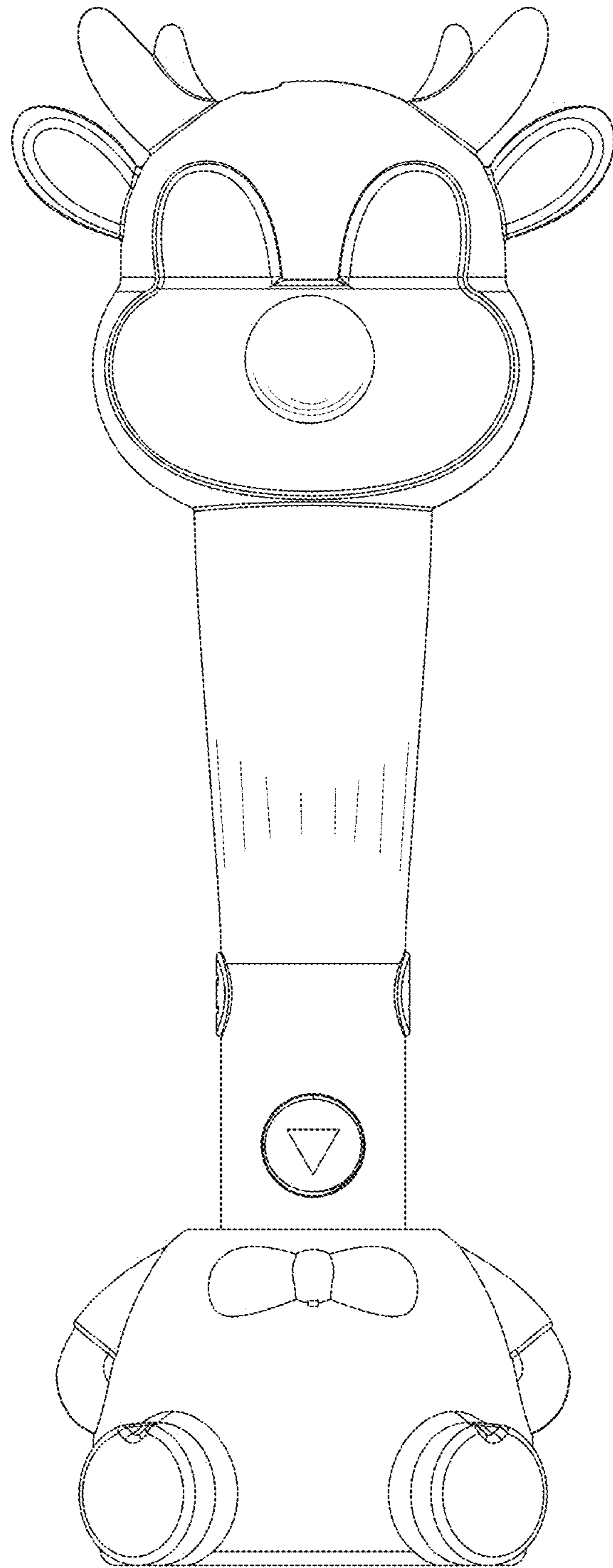


FIG. 3

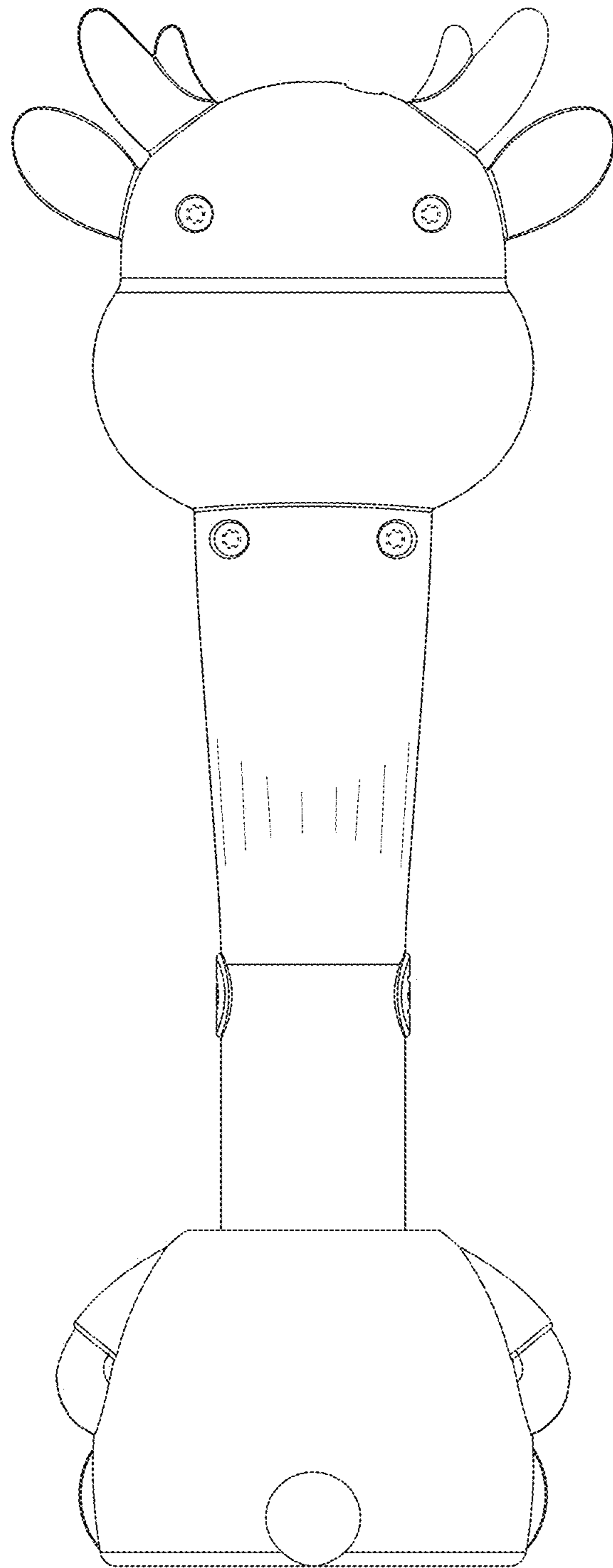


FIG. 4

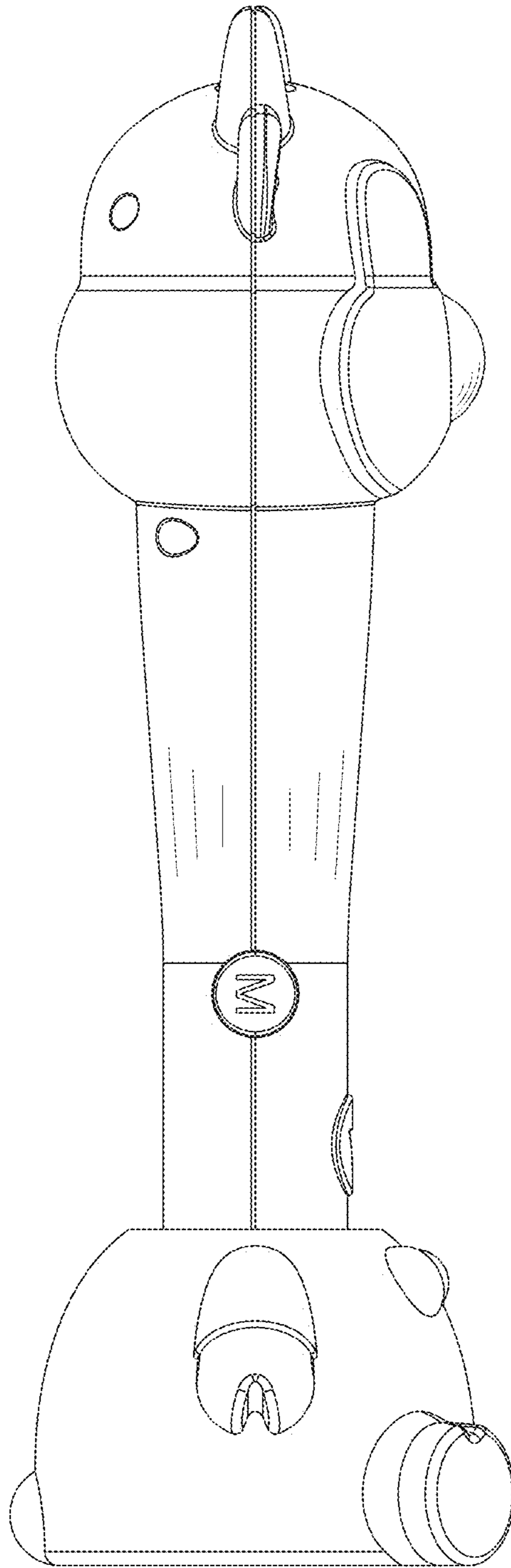


FIG. 5

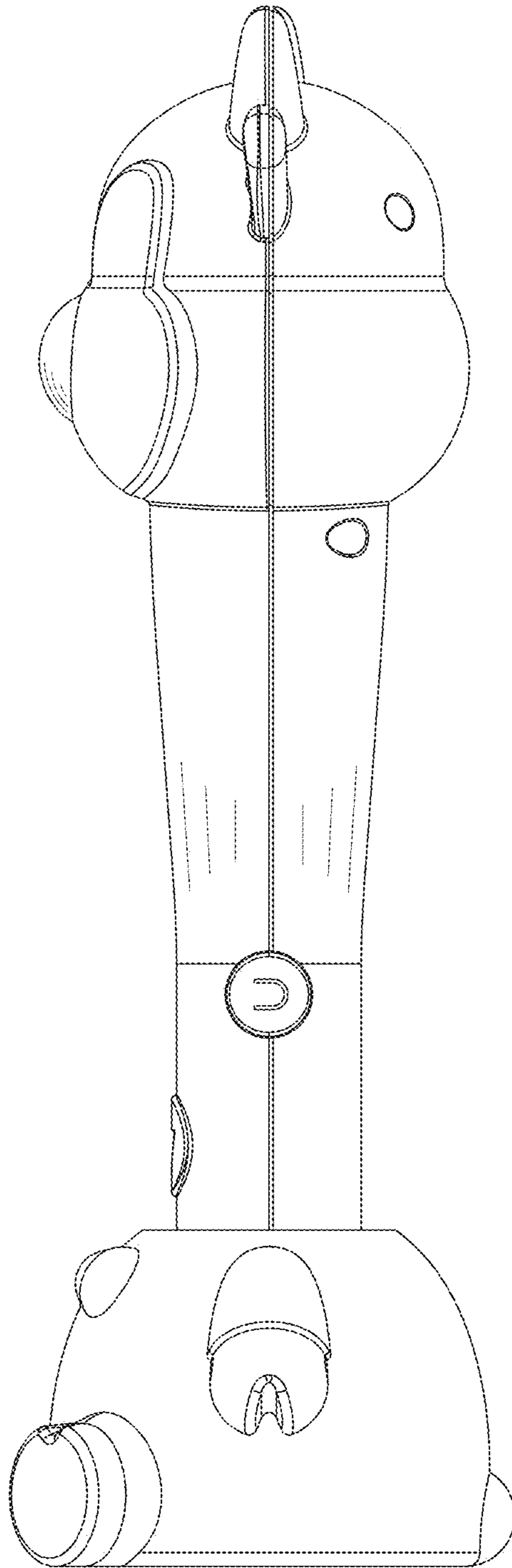


FIG. 6

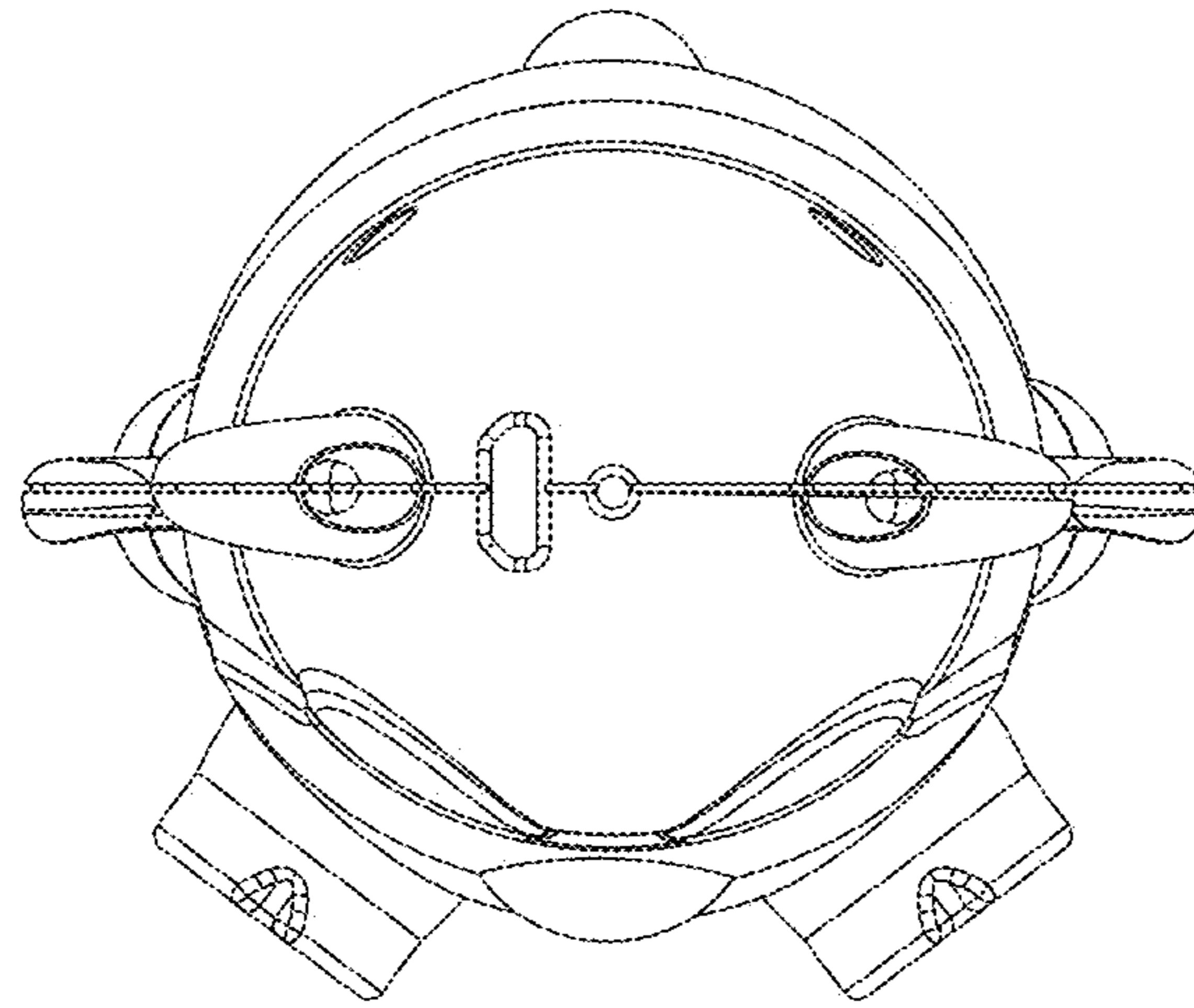


FIG. 7

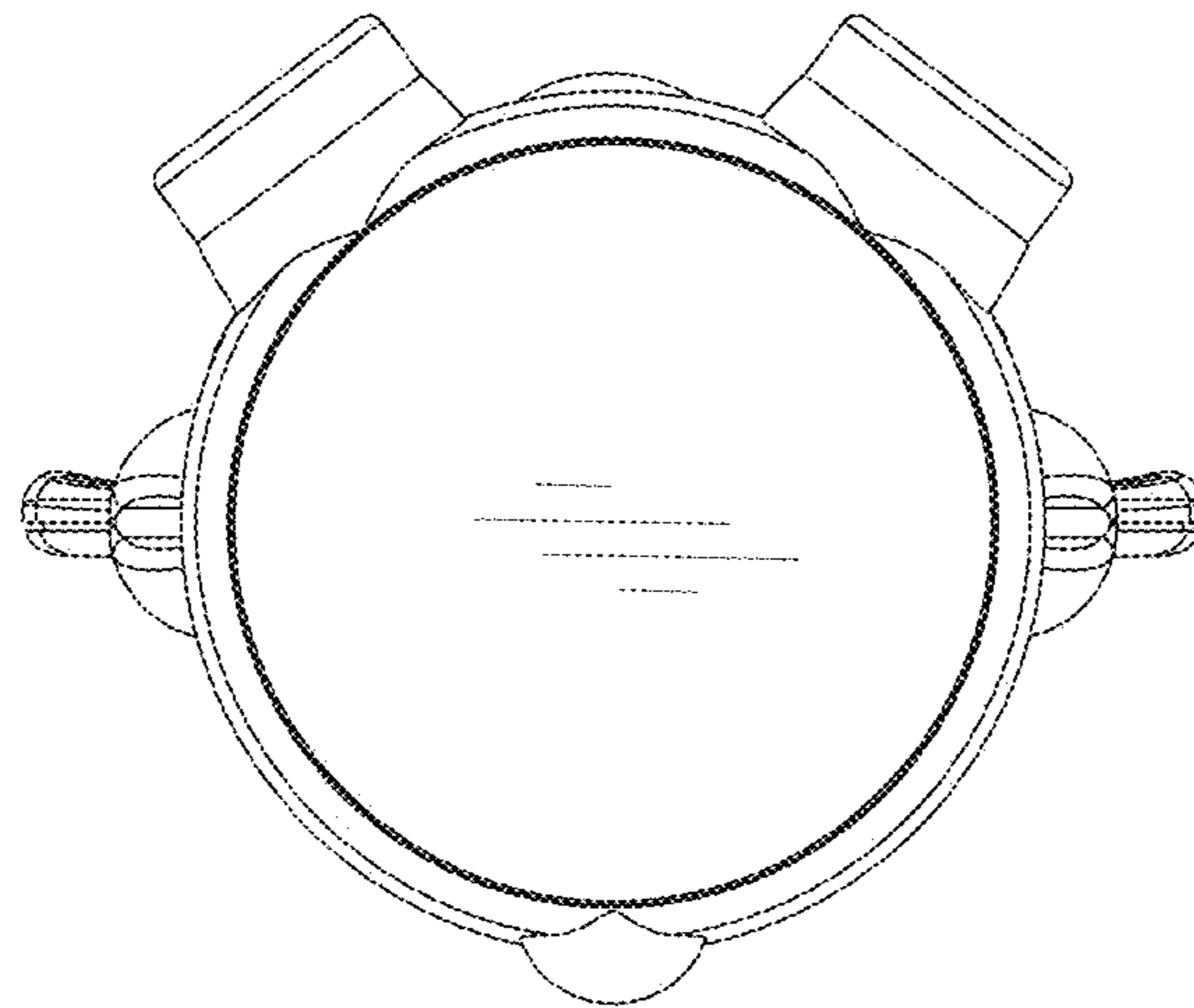


FIG. 8



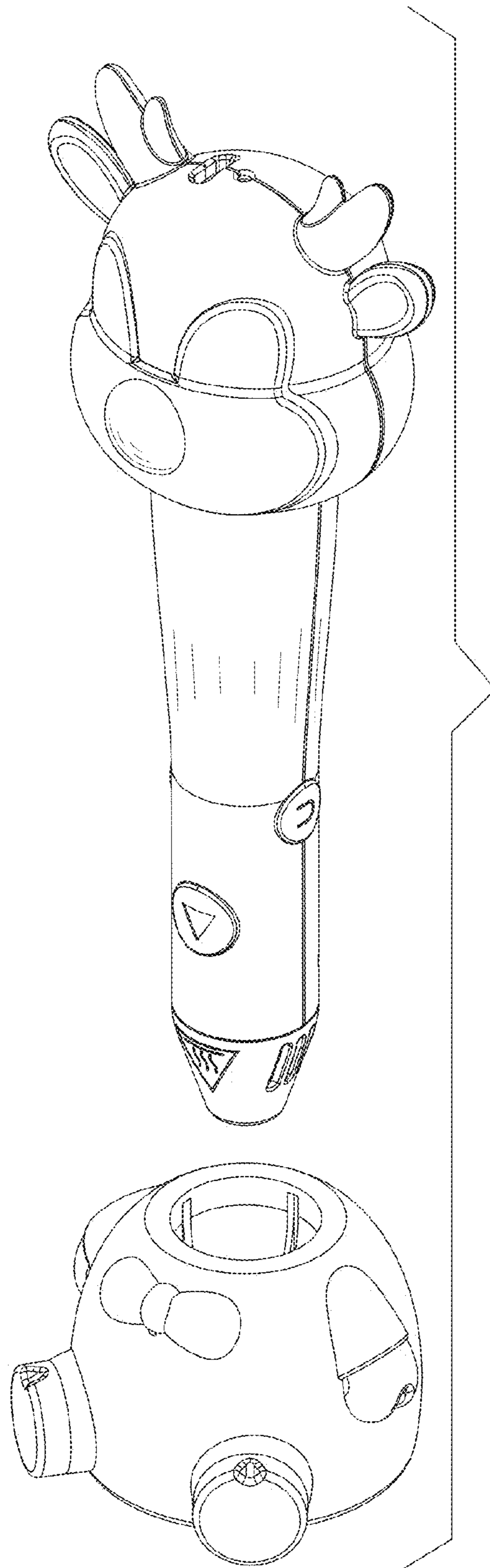


FIG. 9

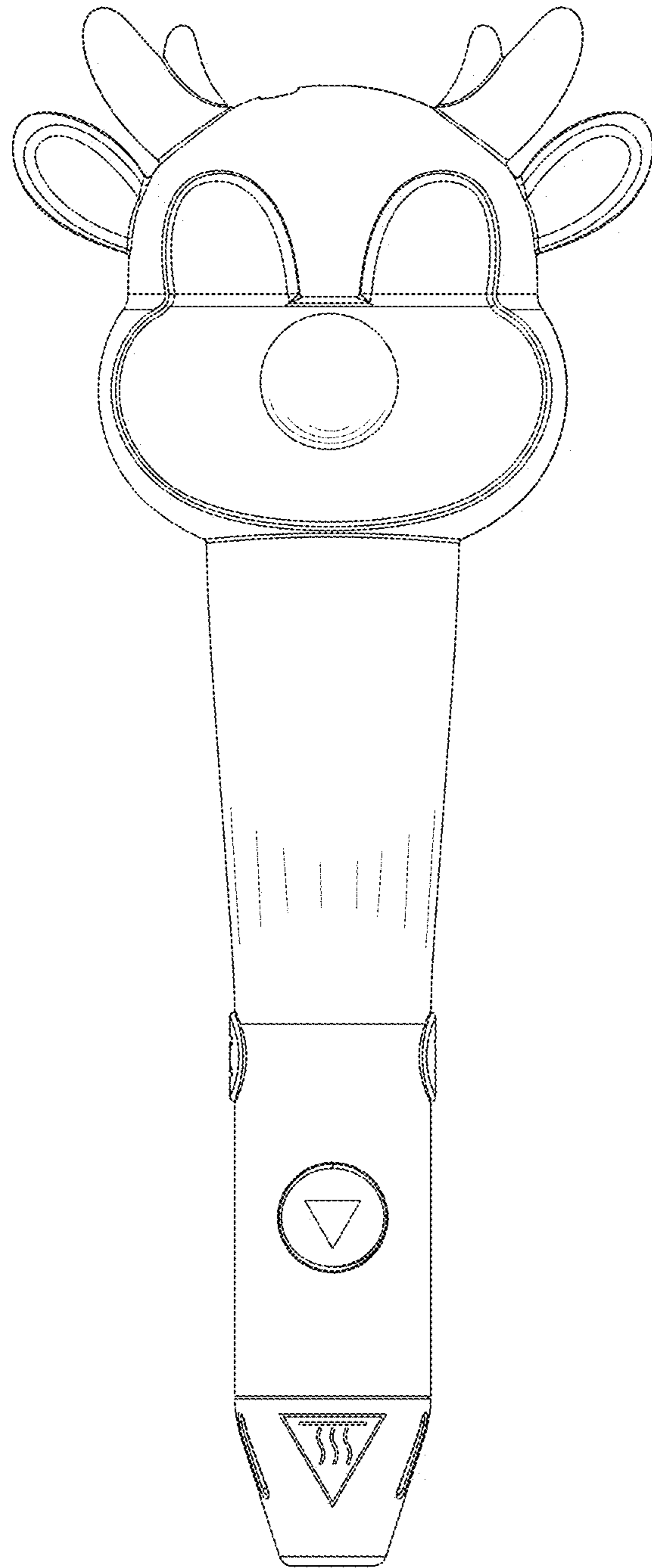


FIG. 10

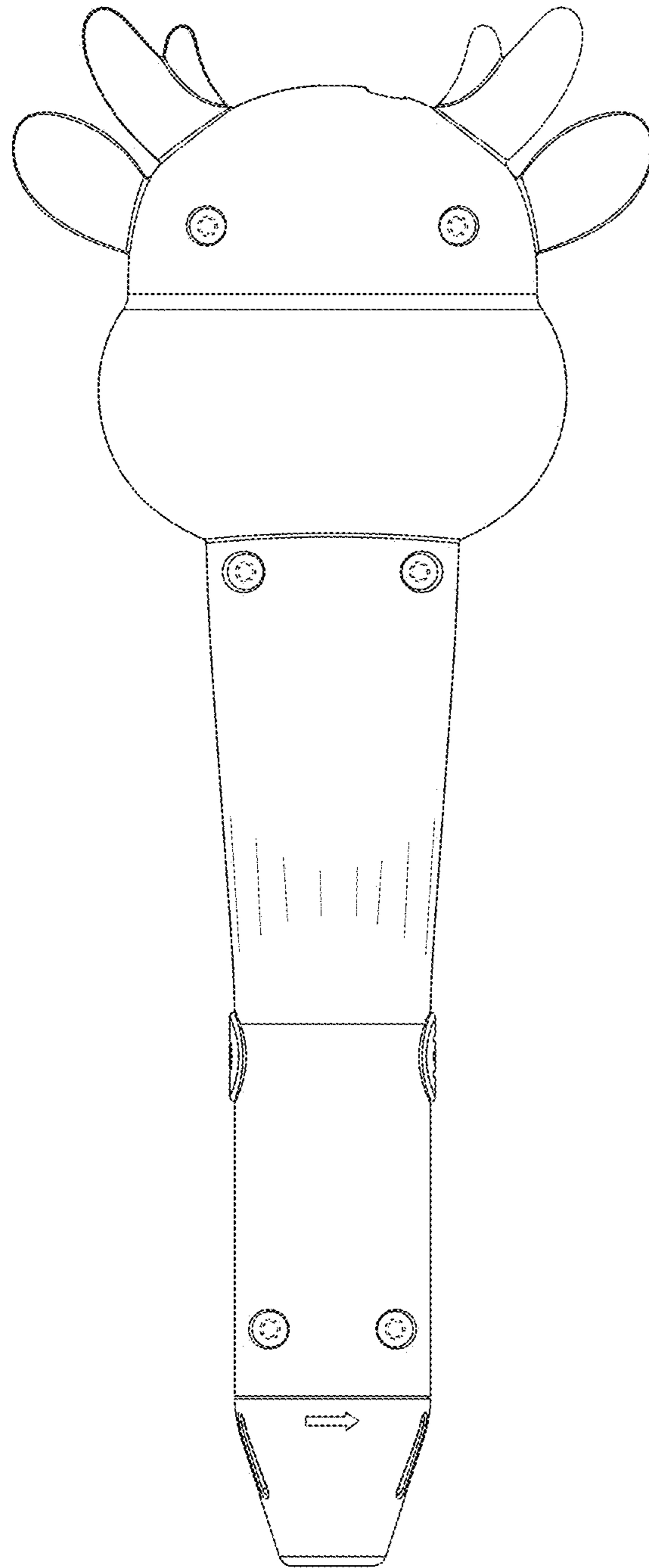


FIG. 11

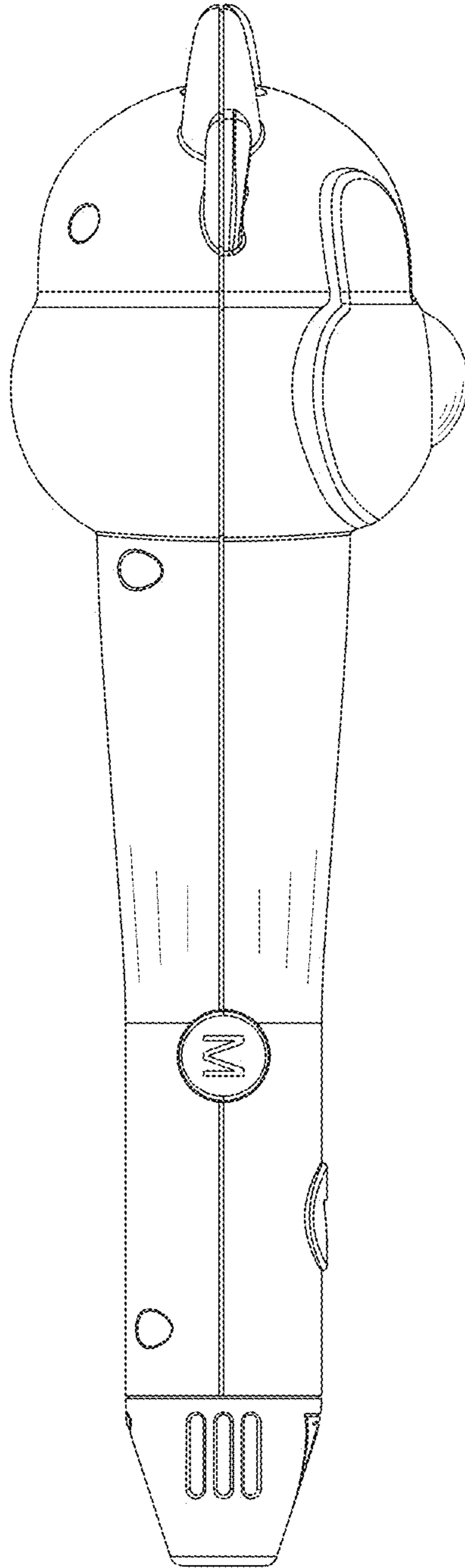


FIG. 12

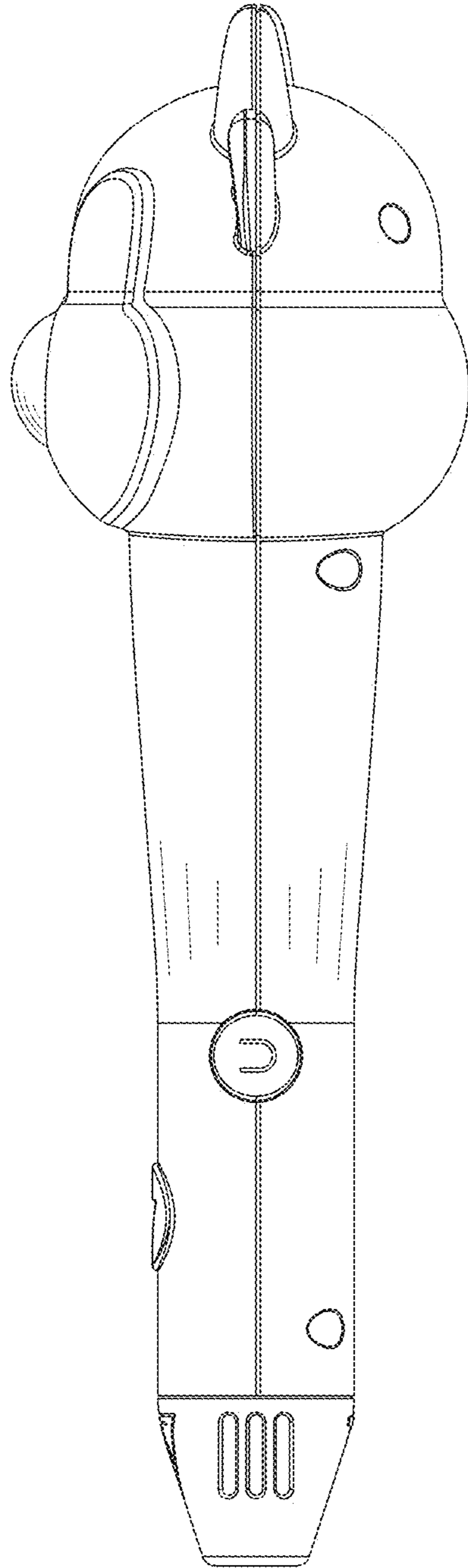


FIG. 13