

US00D975179S

(12) **United States Design Patent**
Hunt

(10) **Patent No.:** **US D975,179 S**

(45) **Date of Patent:** **** Jan. 10, 2023**

(54) **ORGANIZER**

(71) Applicant: **Spectrum Diversified Designs, LLC**,
Streetsboro, OH (US)

(72) Inventor: **Bridget Hunt**, Cleveland, OH (US)

(73) Assignee: **Spectrum Diversified Designs, LLC**,
Streetsboro, OH (US)

(**) Term: **15 Years**

(21) Appl. No.: **29/798,453**

(22) Filed: **Jul. 8, 2021**

(51) **LOC (14) Cl.** **19-02**

(52) **U.S. Cl.**
USPC **D19/90**

(58) **Field of Classification Search**
USPC D19/92, 75-91, 99, 135; D3/206, 304,
D3/306, 310, 315; D6/675.5, 683, 683.1;
D7/631, 637-641; D9/427, 432, 611;
D14/253

CPC .. B43M 99/00; B43M 99/001; B43M 99/003;
B43M 99/006; B43M 99/007; B43M
99/008; B43M 99/009; B42D 3/12; B42D
3/16; B42D 3/18; B43K 23/001; B43K
23/002; A47B 55/00; A47B 63/00

See application file for complete search history.

(56) **References Cited**

U.S. PATENT DOCUMENTS

D226,892 S * 5/1973 Degannaro D6/675.1
D348,346 S * 6/1994 Yoshikawa D3/310
D433,709 S * 11/2000 Hardy D19/78
D436,626 S * 1/2001 Wang D7/640
D449,074 S * 10/2001 Andujar D19/75
D453,027 S * 1/2002 Andujar D19/90
D523,245 S * 6/2006 Post D3/313
D524,542 S * 7/2006 Hardy D3/309
D579,254 S * 10/2008 Dominique D6/570

D584,055 S * 1/2009 Hardy D3/306
D604,769 S * 11/2009 Chen D19/90
D691,657 S * 10/2013 Hu D19/90
D724,667 S * 3/2015 Hu D19/90
D802,242 S * 11/2017 Andre D34/27
D805,582 S * 12/2017 Melnick D19/90
D805,583 S * 12/2017 Melnick D19/90
D865,364 S * 11/2019 Brunner D3/304
D902,306 S * 11/2020 Albanese D19/77

(Continued)

OTHER PUBLICATIONS

Black Rectangle Metal Magazine Rack posted by at Home posted
date unknown © at Home, [online], [site visited Jul. 26, 2022].
Available from Internet, <https://www.athome.com/black-rectangle-metal-magazine-rack/124297740.html> (Year: 2022).*

(Continued)

Primary Examiner — Garth Rademaker

Assistant Examiner — Laura H Yu

(74) *Attorney, Agent, or Firm* — Tucker Ellis LLP

(57) **CLAIM**

The ornamental design for an organizer, as shown and
described.

DESCRIPTION

FIG. 1 is a front left perspective view of an organizer
showing my new design.

FIG. 2 is a front right perspective view thereof.

FIG. 3 is a front view thereof.

FIG. 4 is a rear view thereof.

FIG. 5 is a left side view thereof.

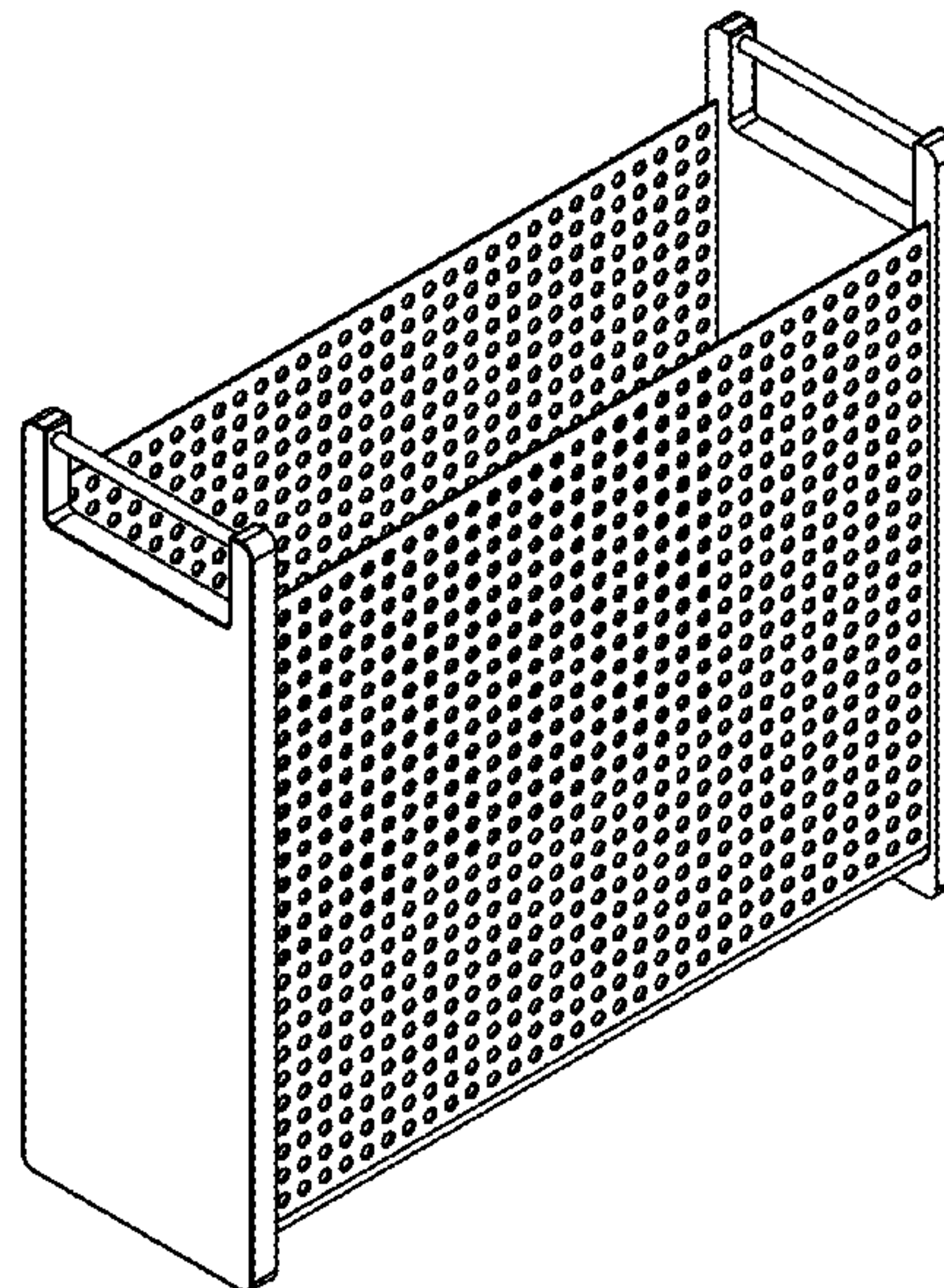
FIG. 6 is a right side view thereof.

FIG. 7 is a top view thereof; and,

FIG. 8 is a bottom view thereof.

The broken lines in the figures illustrate portions of the
organizer that form no part of the claimed design.

1 Claim, 8 Drawing Sheets



(56)

References Cited

U.S. PATENT DOCUMENTS

D932,185 S * 10/2021 Yoshikawa D3/315

OTHER PUBLICATIONS

Metal Magazine Rack posted by Gusta Gusta posted date Jan. 2021 © BiJCeEs, [online], [site visited Jul. 26, 2022]. Available from Internet, <https://www.bijcees.nl/wp-content/uploads/2021/01/gusta-gusta-metalen-tijdschriftenrek-grijs.png> (Year: 2021).*

Jcnfa Shelves posted by Jcnfa posted date Jul. 27, 2020 © Amazon, [online], [site visited Jul. 26, 2022]. Available from Internet, <https://www.amazon.com/Jcnfa-Shelves-Floor-Standing-Bookshelf%E2%8C%9C-Newsstand%E2%8C%9C-Information/dp/B08DNBWHW3?th=1> (Year: 2020).*

JK Colin Under the Sink Cabinet posted by JK-Colin posted date unknown © Amazon, [online], [site visited Jul. 26, 2022]. Available from Internet, <https://www.amazon.com/JK-Colin-Organizers-Stackable-Organizer-Steel-White/dp/B09Z85824M?th=1> (Year: 2022).*

* cited by examiner

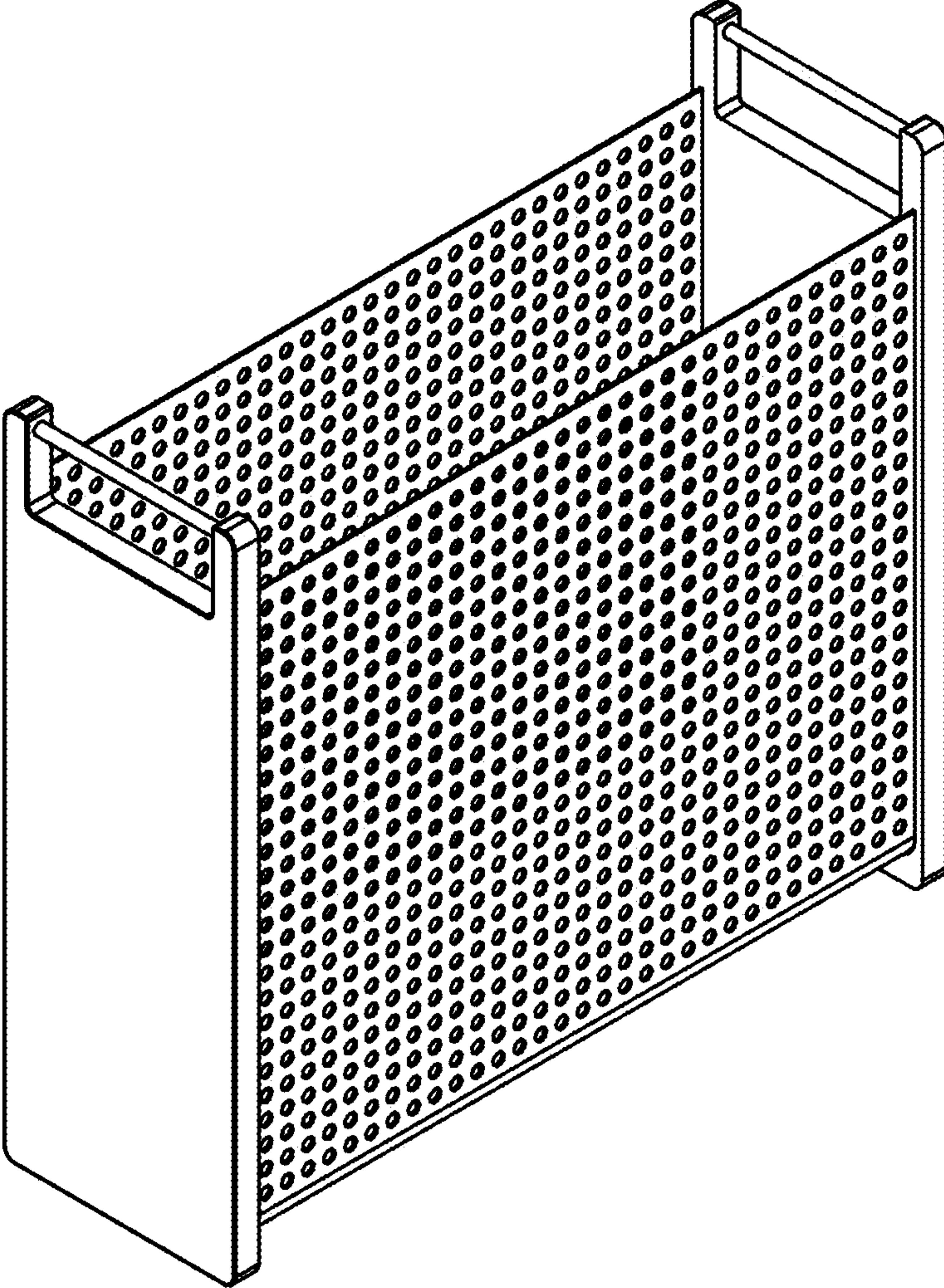


FIG. 1

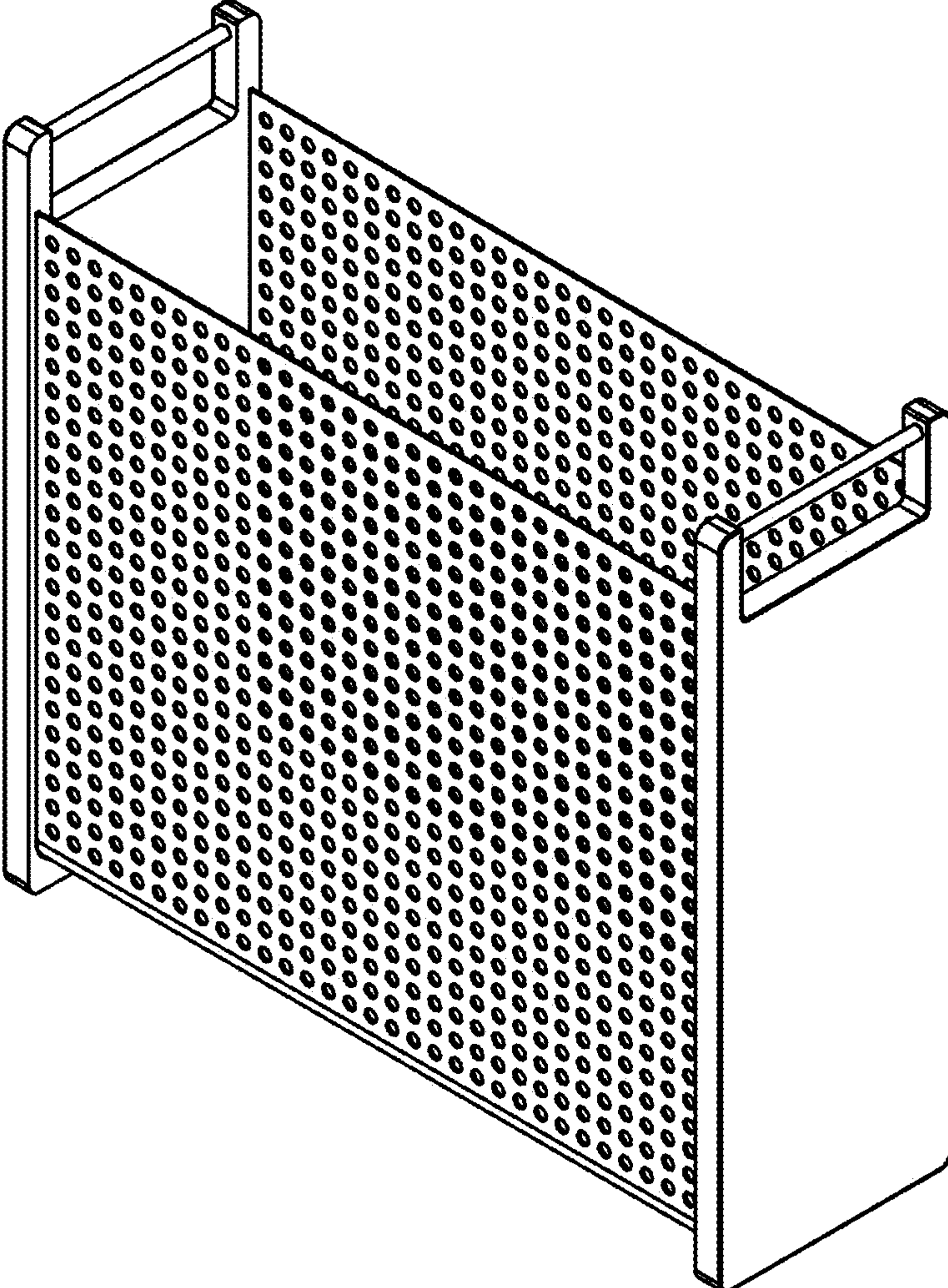


FIG. 2

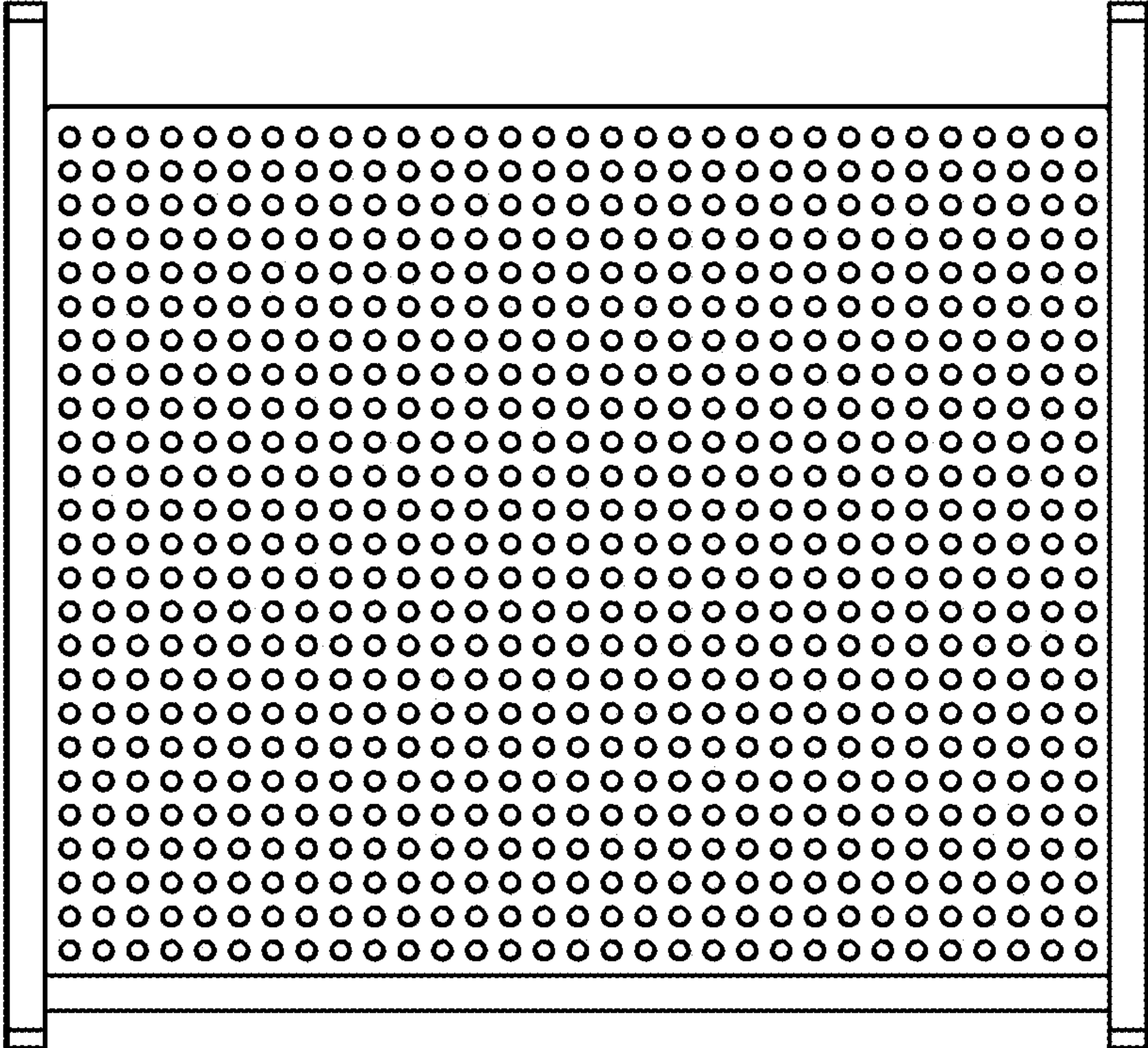


FIG. 3

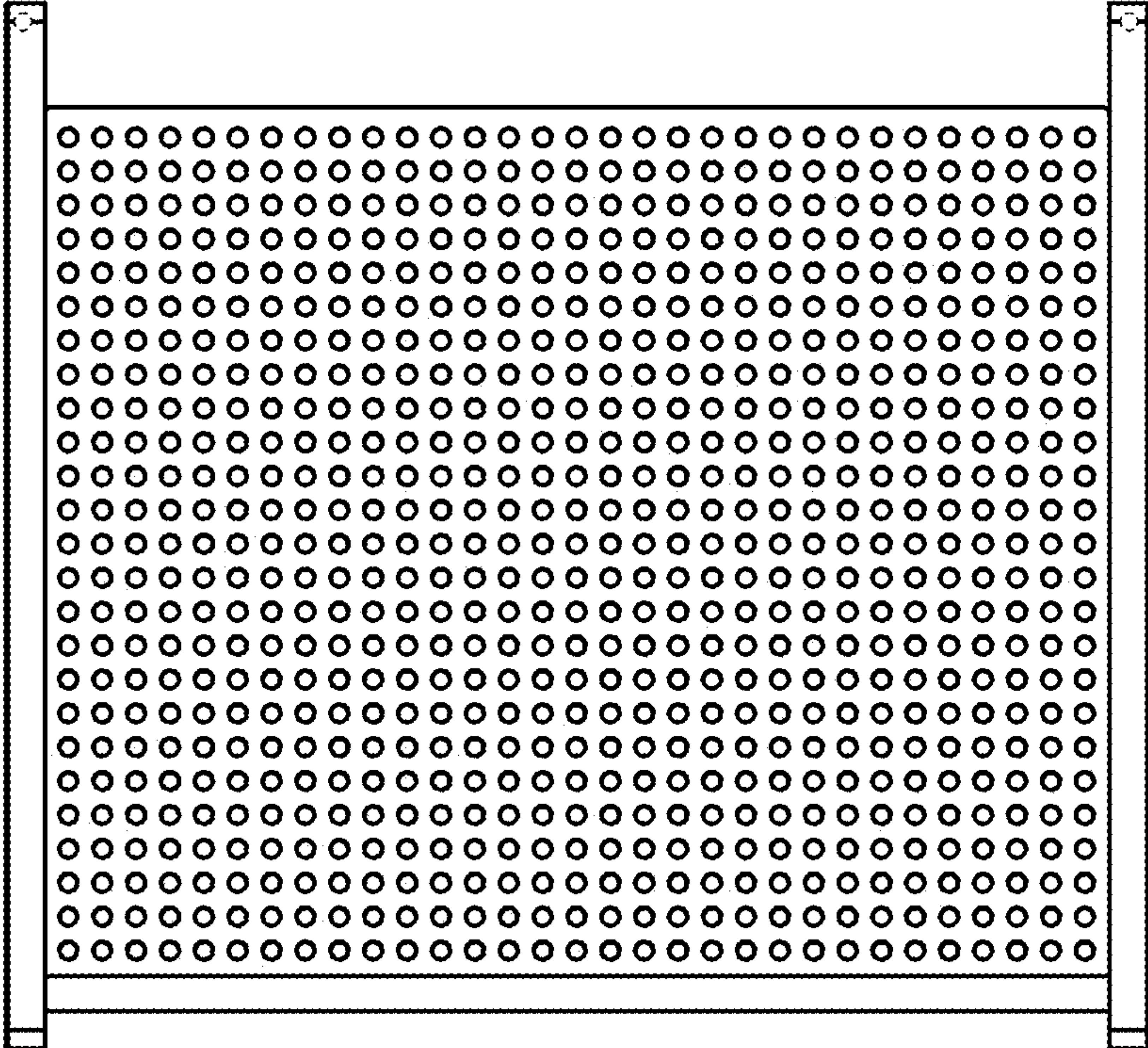


FIG. 4

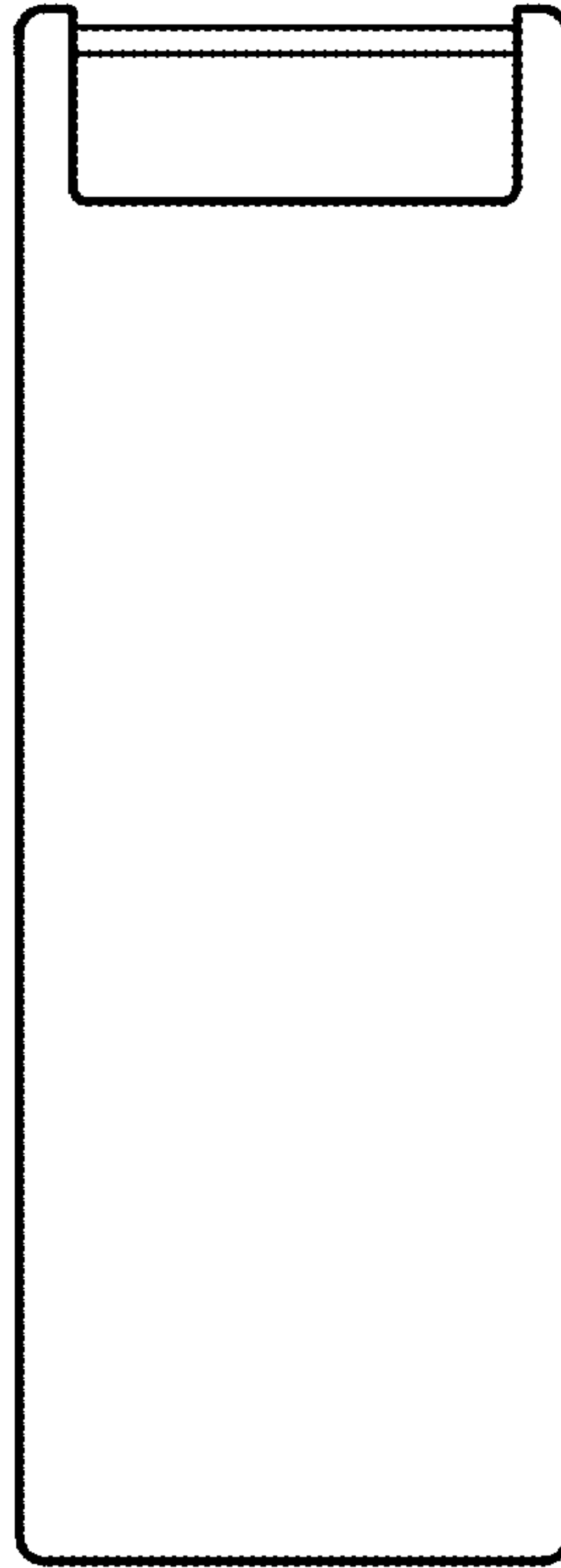


FIG. 5

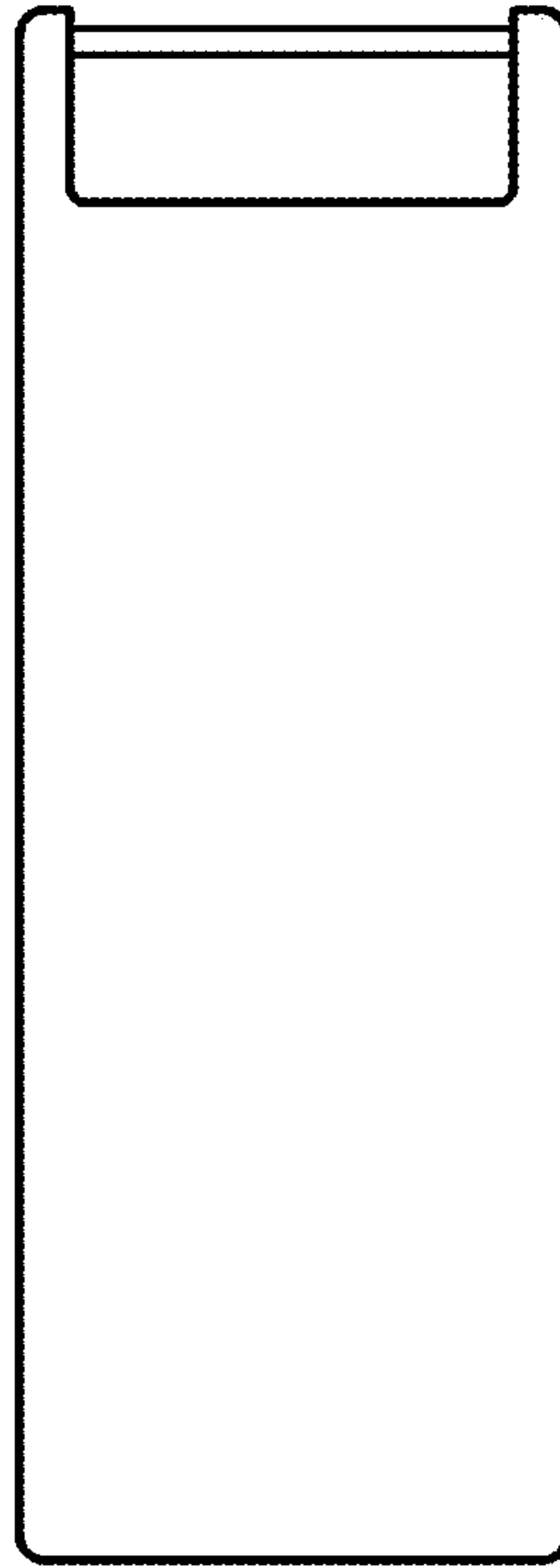


FIG. 6

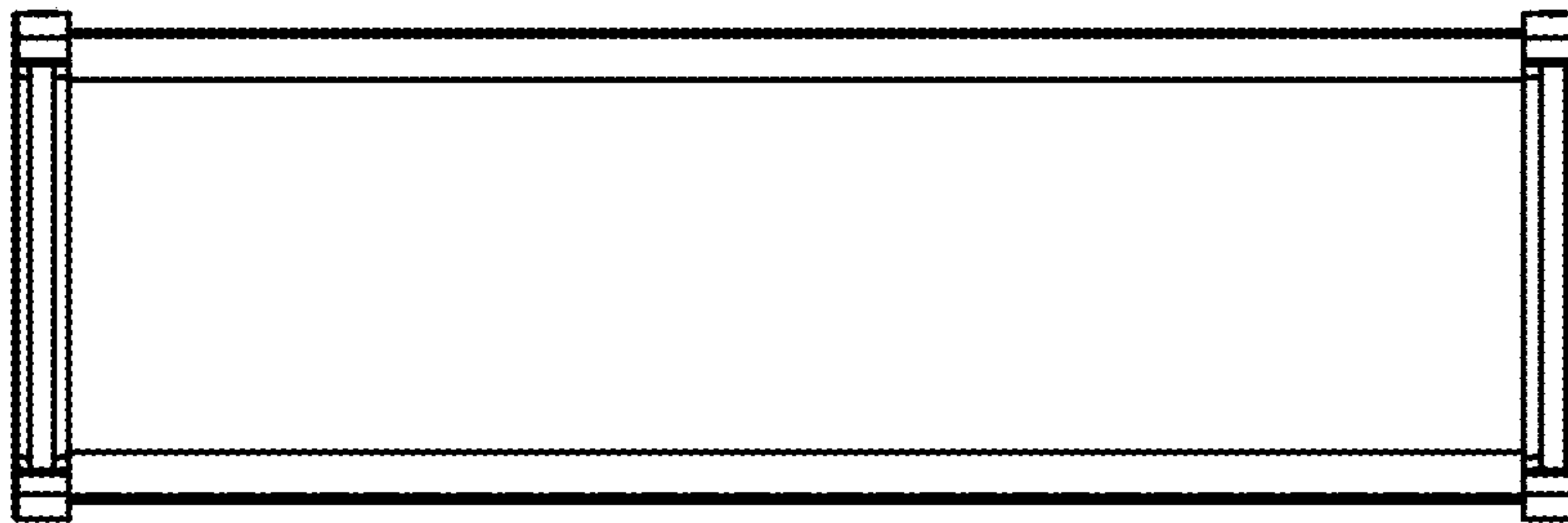


FIG. 7

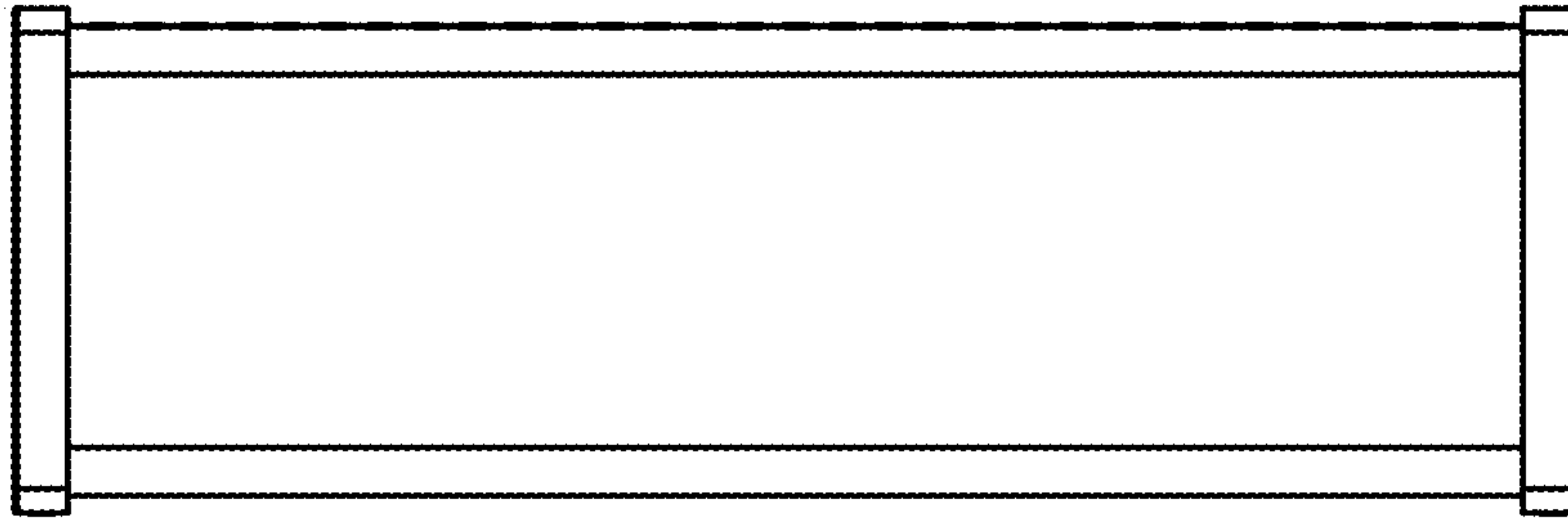


FIG. 8