



US00D975177S

(12) **United States Design Patent** (10) **Patent No.:** **US D975,177 S**  
**Rausch et al.** (45) **Date of Patent:** **\*\* Jan. 10, 2023**

(54) **PRINTER STAND LEGS**

FOREIGN PATENT DOCUMENTS

(71) Applicant: **Hewlett-Packard Development Company, L.P.**, Spring, TX (US)

EM 001417448-0011 \* 8/2016

(72) Inventors: **Kevin Rausch**, Boise, ID (US);  
**Michael V. Leman**, Boise, ID (US); **Ki Jung Han**, Vancouver, WA (US);  
**Akifumi Hirota**, Boise, ID (US)

OTHER PUBLICATIONS

ECR4Kids, Bentwood Stacking Stools for Kids, Amazon.com, Date Published Jun. 5, 2017, Retrieved from internet Mar. 4, 2022—29725855—[https://www.amazon.com/ECR4Kids-Bentwood-Stacking-Natural-6-Piece/dp/B07211PDGL/ref=sr\\_1\\_25?keywords=molded%2Bplywood%2Bstool&qid=1646404158&sr=8-25&th=1](https://www.amazon.com/ECR4Kids-Bentwood-Stacking-Natural-6-Piece/dp/B07211PDGL/ref=sr_1_25?keywords=molded%2Bplywood%2Bstool&qid=1646404158&sr=8-25&th=1) (Year: 2017).\*

(73) Assignee: **Hewlett-Packard Development Company, L.P.**, Spring, TX (US)

(Continued)

(\*\*) Term: **15 Years**

*Primary Examiner* — Jennifer L Rempfer

(21) Appl. No.: **29/725,855**

*Assistant Examiner* — Danielle Nichole Bowly

(22) Filed: **Feb. 27, 2020**

(74) *Attorney, Agent, or Firm* — Brooks, Cameron & Huebsch, PLLC

(51) **LOC (14) Cl.** ..... **18-02**

(52) **U.S. Cl.**  
USPC ..... **D18/59**

(58) **Field of Classification Search**  
USPC ..... D6/700, 866.21, 406.5, 405.6, 694, 685,  
D6/641, 553; D19/66, 67, 68, 69;  
D11/164; D8/367, 382; D18/50, 53, 54,  
D18/55, 56, 57, 58, 59, 34.7, 34.3, 34.1,  
D18/4.1

CPC ..... G06F 3/02; H04N 1/00278; B32B 27/08;  
G11B 23/40

See application file for complete search history.

(57) **CLAIM**

The ornamental design for legs of a printer stand, as shown and described.

**DESCRIPTION**

(56) **References Cited**

U.S. PATENT DOCUMENTS

D216,711 S \* 3/1970 Schultz ..... D6/692.6  
D277,717 S \* 2/1985 Petrick ..... D6/708  
4,512,543 A \* 4/1985 Petrick ..... F16M 11/22  
248/172  
4,773,781 A 9/1988 Bankier  
D311,754 S \* 10/1990 Hassel ..... D18/59  
5,930,469 A 7/1999 Chiarabini et al.  
D675,043 S \* 1/2013 Korb ..... D6/708  
D693,162 S \* 11/2013 Polidoros ..... A47B 3/12  
D6/708.16

FIG. 1 is a perspective view of a printer stand having legs and on which a printer is attached.

FIG. 2 is an upside-down perspective view of the printer stand having legs of FIG. 1.

FIG. 3 is a perspective view of the legs of the printer stand of FIG. 1.

FIG. 4 is a front view of the legs of the printer stand of FIG. 1. The back view and the right and left side views of the legs are identical to the front view of FIG. 4.

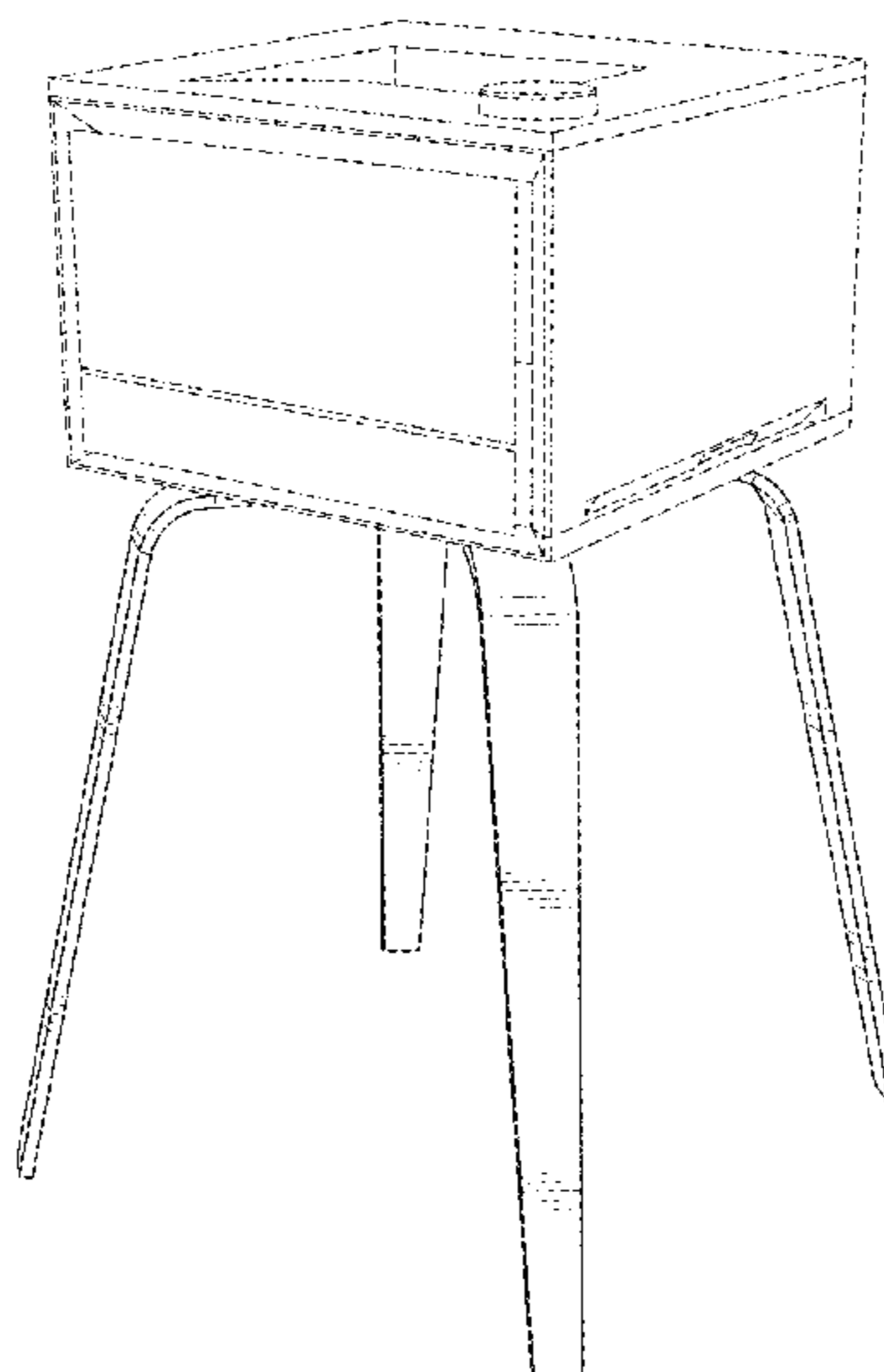
FIG. 5 is a top view of the legs of the printer stand of FIG. 1; and,

FIG. 6 is a bottom view of the legs of the printer stand of FIG. 1.

Any portions shown in broken lines in the figure are for illustrative purposes only and form no part of the claimed design.

(Continued)

**1 Claim, 6 Drawing Sheets**



(56)

**References Cited**

## U.S. PATENT DOCUMENTS

9,203,995 B2 12/2015 Muraoka  
D749,672 S \* 2/2016 Chung ..... D18/53  
D822,418 S \* 7/2018 Swy ..... D6/709.2  
D894,624 S \* 9/2020 Gfesser ..... D6/360  
D910,354 S \* 2/2021 Xiang ..... D6/702  
2009/0195629 A1 8/2009 Yamada et al.  
2016/0107378 A1 4/2016 Davis et al.

## OTHER PUBLICATIONS

Duhome Velvet Ottoman, Amazon.com, Date Published Jul. 11, 2019, Retrieved from internet Mar. 4, 2022—29725855—<https://amzn.to/35vUP6L>(Year: 2019).\*

EHome Products, White Side End Table, Amazon.com, Date Published Feb. 21, 2016, Retrieved from internet Mar. 4, 2022—29725855—[https://www.amazon.com/Light-Walnut-White-Nighstand-Drawer/dp/B01C1A5BMS/ref=psdc\\_3733641\\_t4\\_B06XCQ2FCL](https://www.amazon.com/Light-Walnut-White-Nighstand-Drawer/dp/B01C1A5BMS/ref=psdc_3733641_t4_B06XCQ2FCL) (Year: 2016).\*

Tapered Dining Table Legs—Carolinallegco.com, Date Published Sep. 1, 2019, Date retrieved from internet Mar. 4, 2022—29725855—<https://bit.ly/3HK4nbn> (Year: 2019).\*

Bizhub PRO 1100, Sep. 2017, Konica Minolta.

Designjet 4000 and 4500 Printers, 2005, HP.

Stratasys Design Series Objet Desktop 3D Printers, 2019, Creat3D.

\* cited by examiner

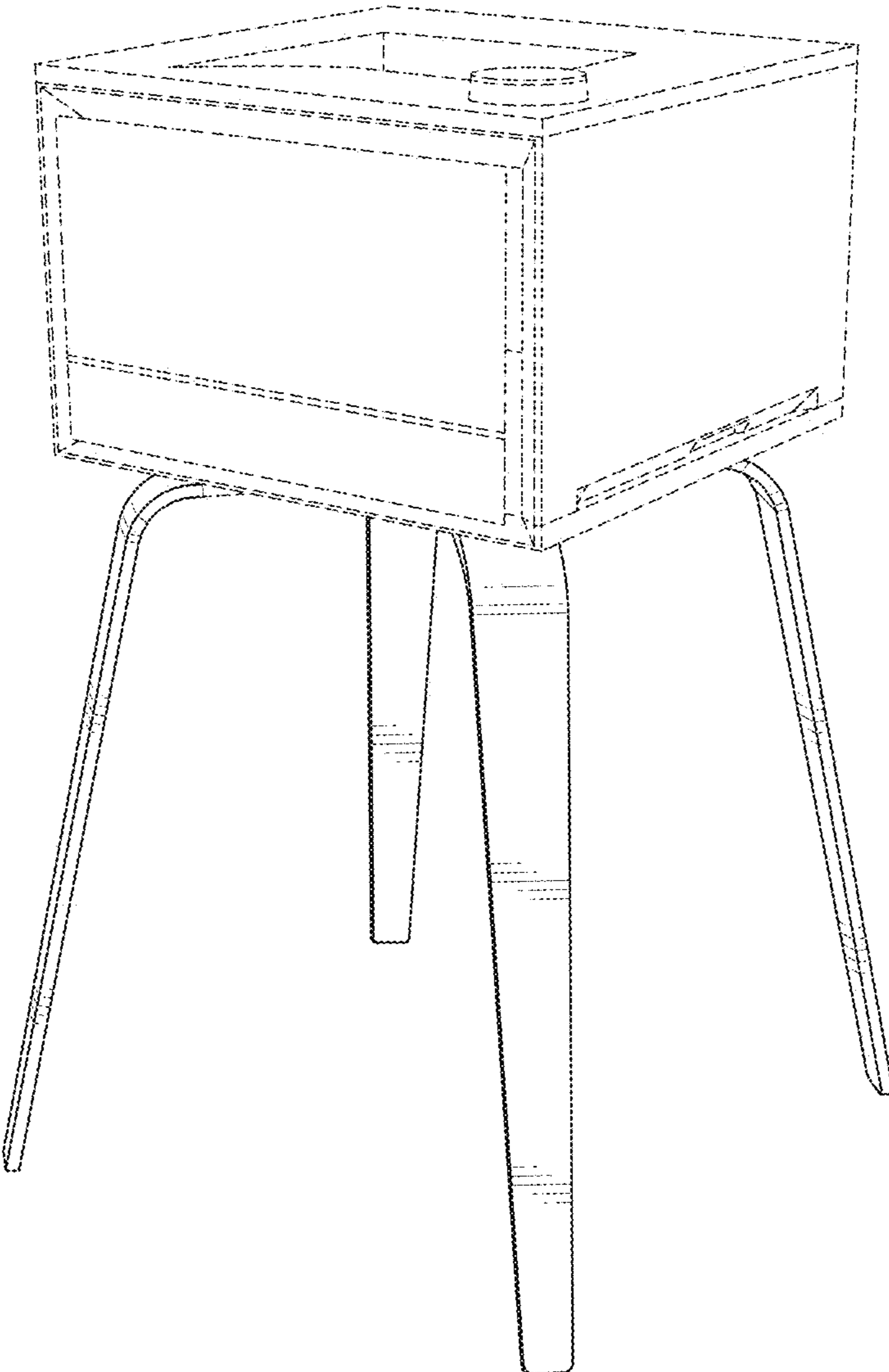


FIG. 1

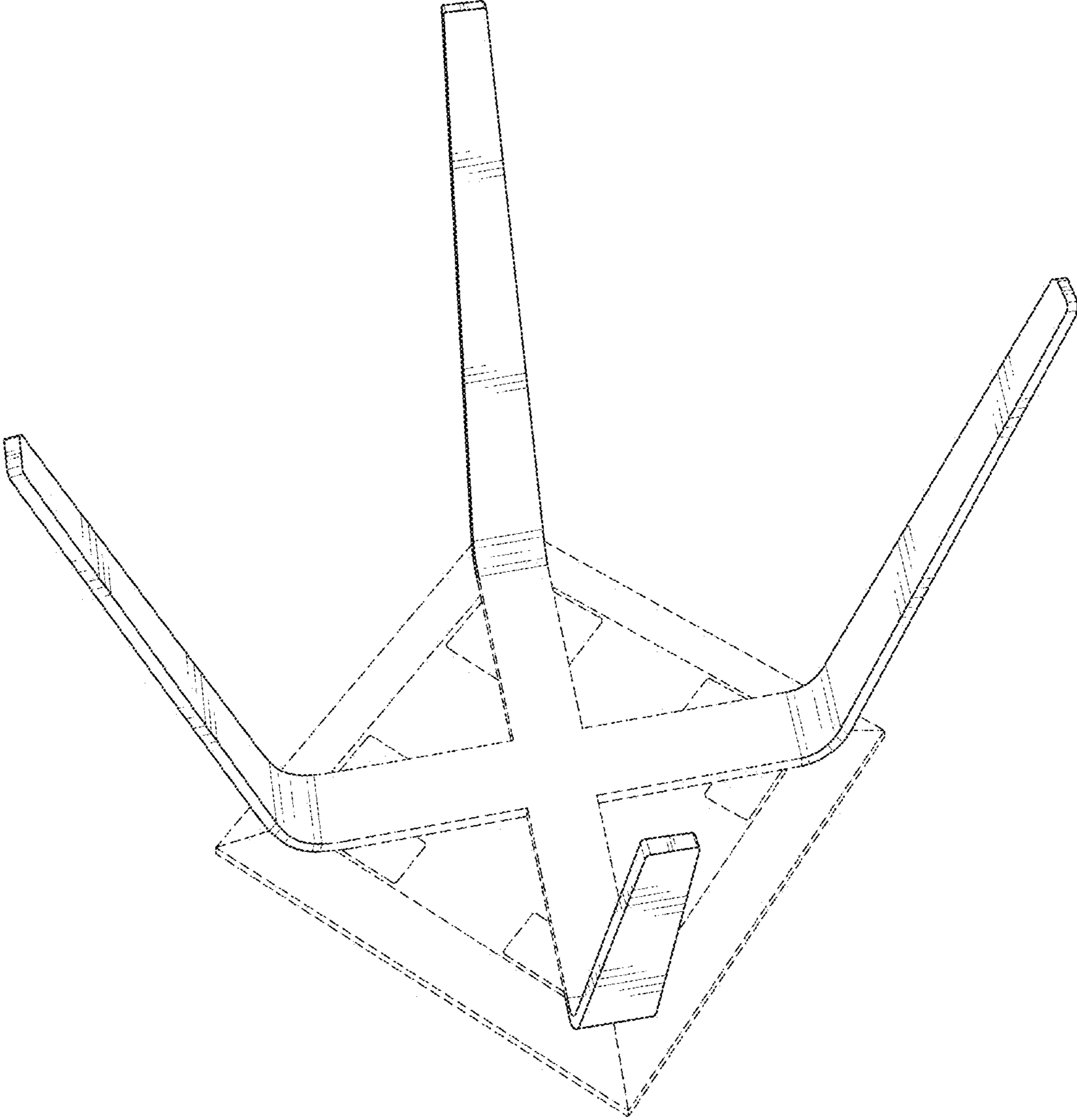


FIG. 2

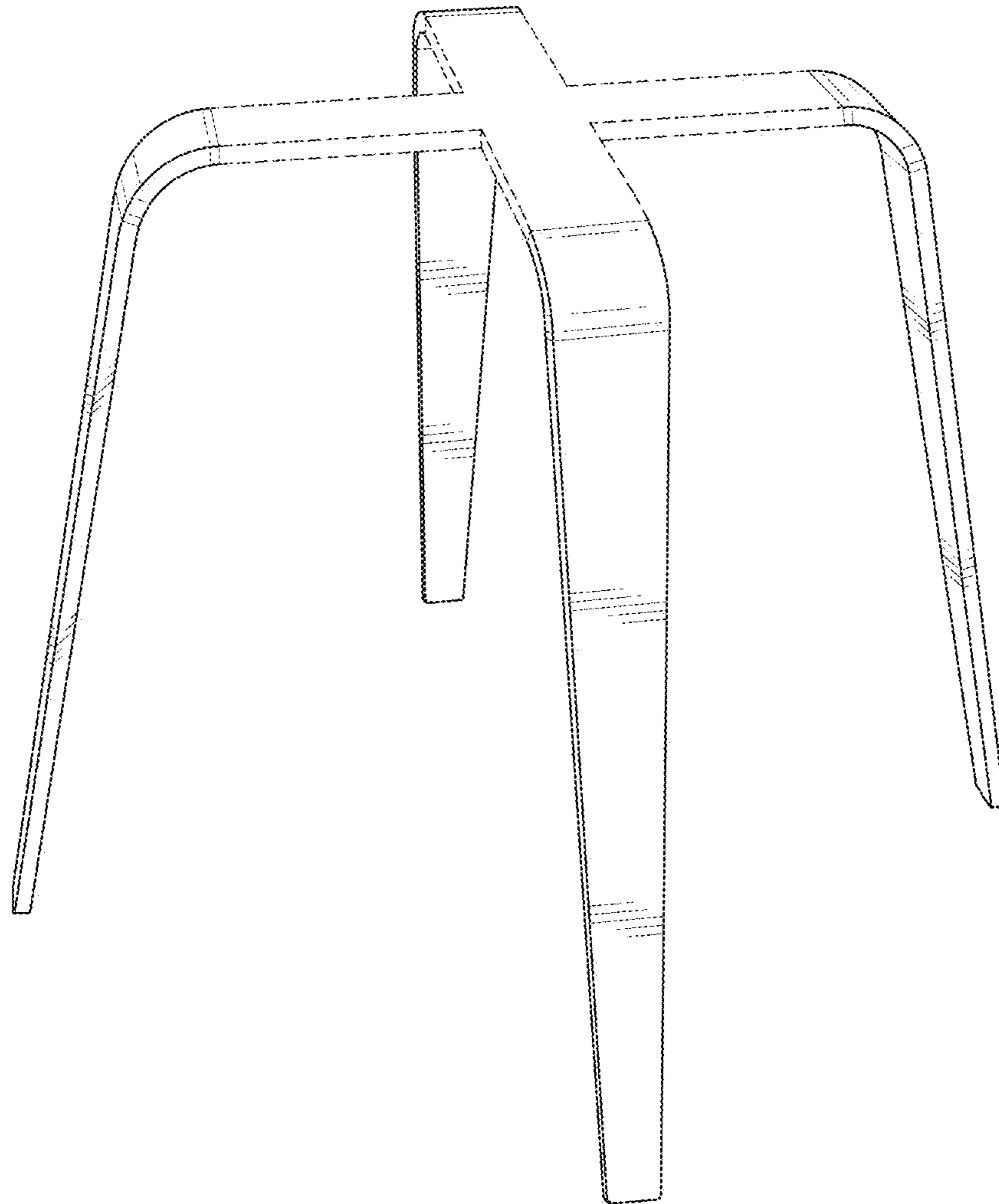


FIG. 3

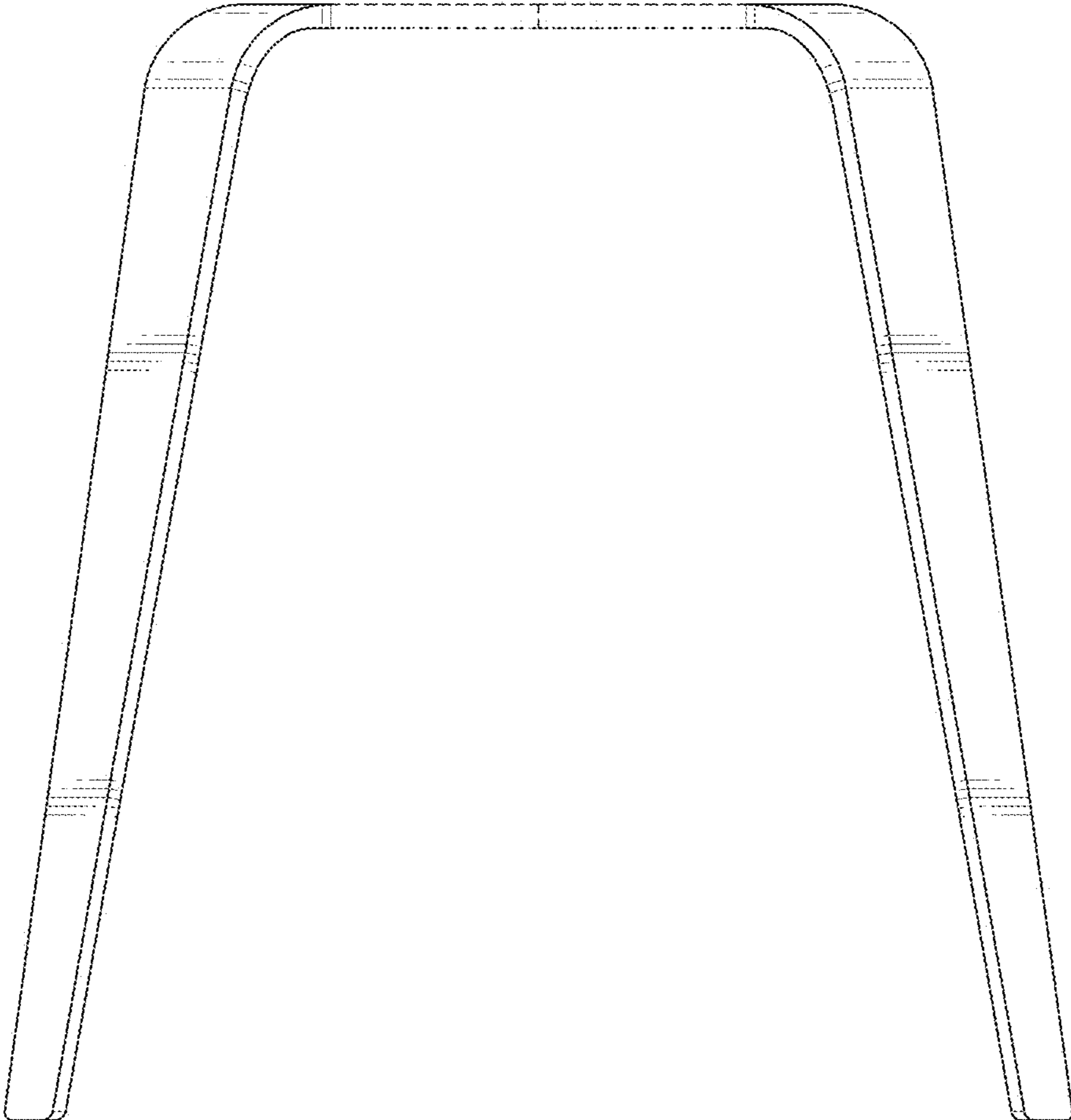


FIG. 4

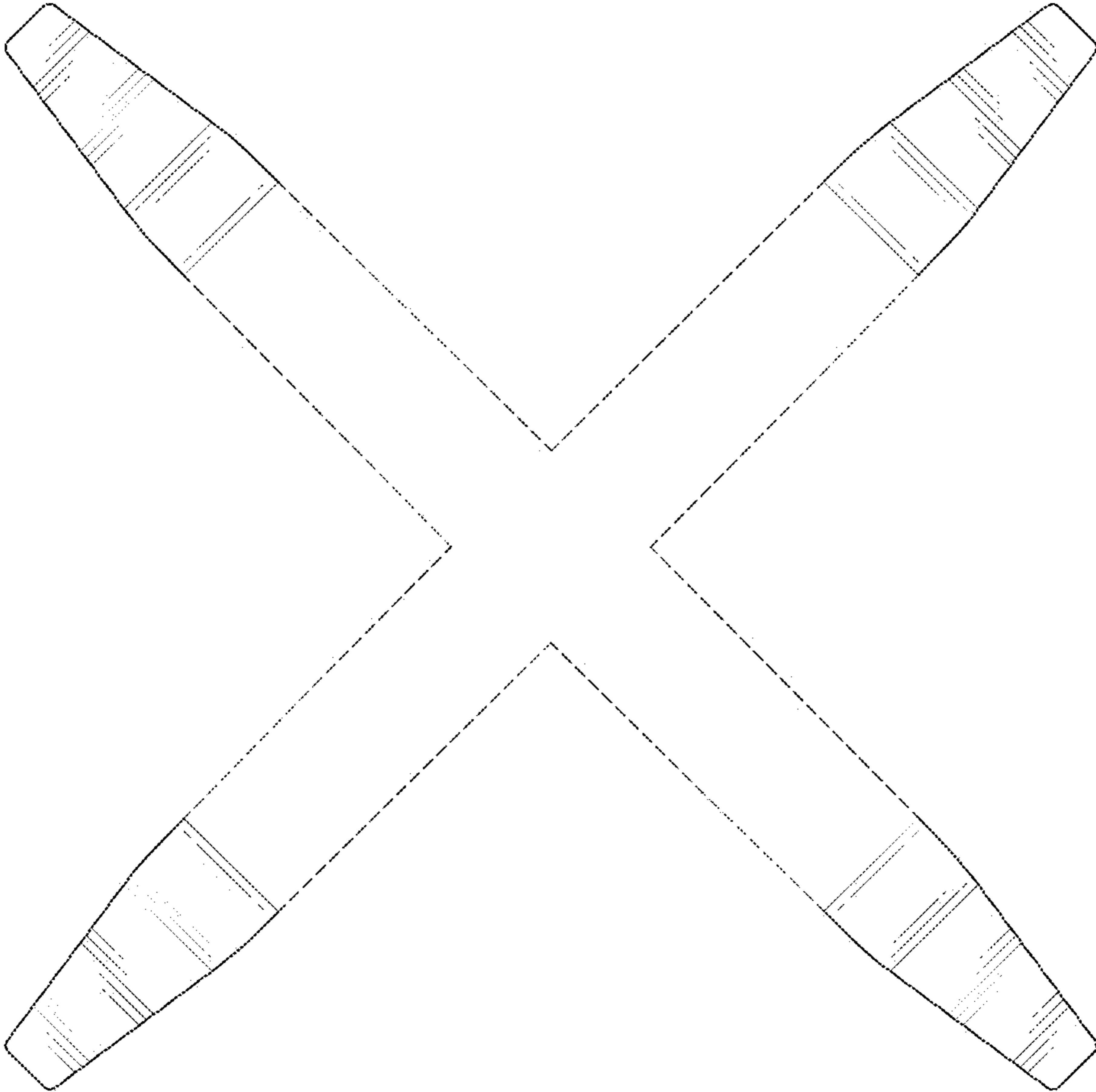


FIG. 5

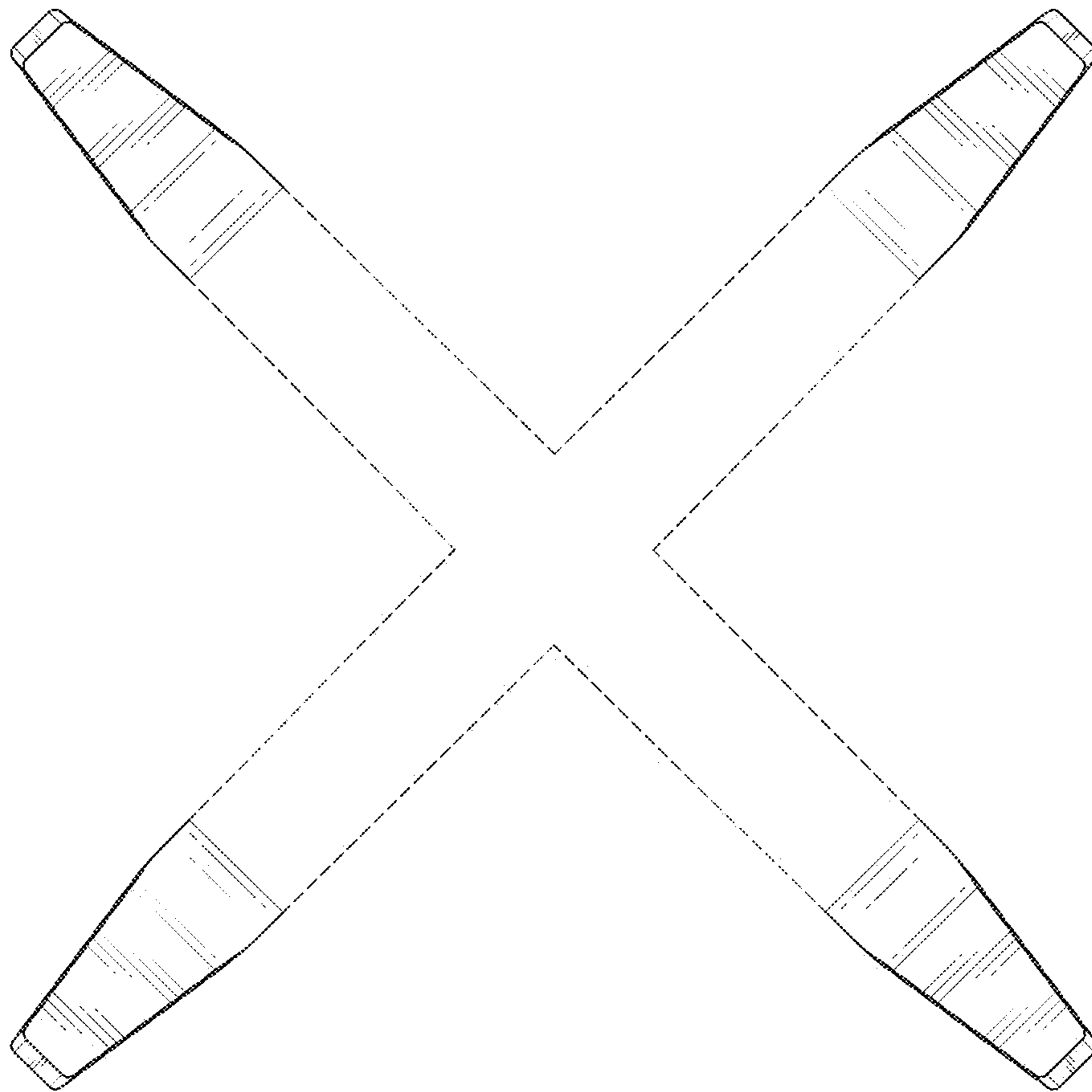


FIG. 6