



US00D975176S

(12) **United States Design Patent**
Shiihara

(10) **Patent No.:** **US D975,176 S**
(45) **Date of Patent:** **** Jan. 10, 2023**

(54) **PRINTER**

D792,923 S * 7/2017 Kim D18/55
D886,823 S * 6/2020 Peng D18/50
D893,599 S * 8/2020 Richtsmeier D18/50

(71) Applicant: **FUJIFILM Corporation**, Tokyo (JP)

(72) Inventor: **Tsutomu Shiihara**, Tokyo (JP)

(73) Assignee: **FUJIFILM CORPORATION**, Tokyo (JP)

(**) Term: **15 Years**

(21) Appl. No.: **29/750,994**

(22) Filed: **Sep. 17, 2020**

(51) **LOC (14) Cl.** **14-02**

(52) **U.S. Cl.**
USPC **D18/50**

(58) **Field of Classification Search**
USPC D14/300, 301, 302, 303, 307, 308, 314,
D14/321, 365, 445, 446; D18/4.1, 4.4,
D18/4.6, 34.1, 6, 7, 14, 19, 34.3, 34.7,
D18/34.8, 34.9, 36, 37, 38, 39, 46, 47,
D18/48, 49, 50, 53, 54, 55, 56
CPC H04N 1/00278; B26D 1/045; B26D 1/065;
B41J 15/044; B41J 2/1752; B41J 29/02;
G06F 3/02
See application file for complete search history.

(56) **References Cited**

U.S. PATENT DOCUMENTS

D379,196 S * 5/1997 Laidlaw D18/55
D386,519 S * 11/1997 Meschter D18/55
D439,276 S * 3/2001 Kemmochi D18/55
D455,172 S * 4/2002 Falk D18/55
D537,475 S * 2/2007 Miller D18/49
D554,698 S * 11/2007 Miller D18/55
D607,928 S * 1/2010 Kim D18/55
D617,829 S * 6/2010 Suzuki D18/55
D697,965 S * 1/2014 Fukasawa D18/55
D699,784 S * 2/2014 Penke D18/55
D724,141 S * 3/2015 Kim D18/55
D750,164 S * 2/2016 So D18/50
D765,772 S * 9/2016 Clark, III D18/55
D786,971 S * 5/2017 Mita D18/56

FOREIGN PATENT DOCUMENTS

JP 1179332 S 7/2003
JP 1480868 S 9/2016
JP D1590722 * 11/2017
JP 1596909 S 2/2018

OTHER PUBLICATIONS

Used Xerox Phaser 3330_DNI Monochrome Laser Printer 3330_p.
5 2018 DNI B&H.com 29751003 and 29750994—https://www.bhphotovideo.com/c/used/1331457/reviews?gclid=EAlalQobChMI2ajx2cmJ9glVgbjlCh1augxDEAkYBiABEgKKyvD_BwE (Year: 2018).*

* cited by examiner

Primary Examiner — Jennifer L Rempfer
Assistant Examiner — Danielle Nichole Bowly
(74) *Attorney, Agent, or Firm* — McGinn I.P. Law Group, PLLC.

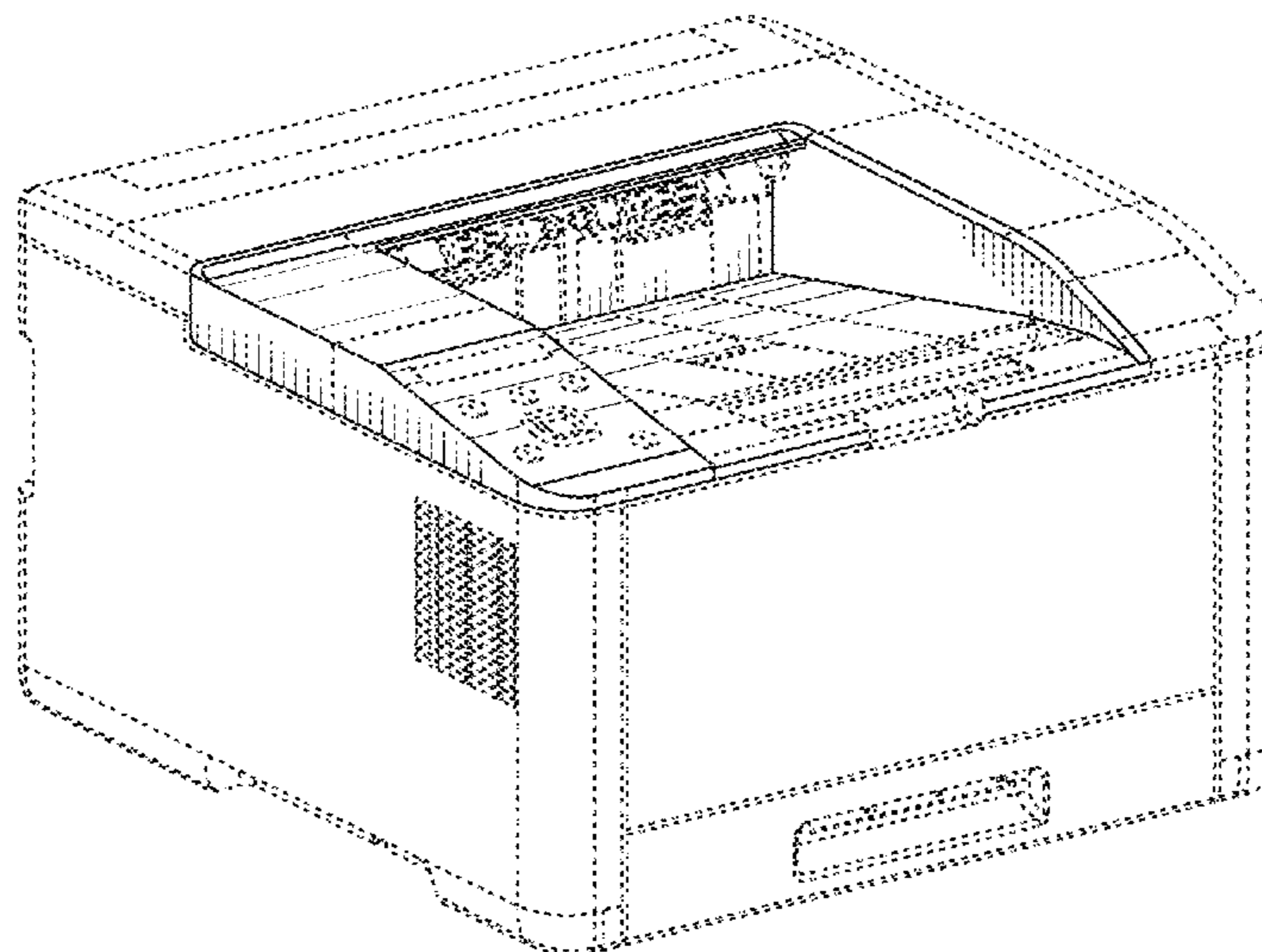
(57) **CLAIM**

The ornamental design for printer, as shown and described.

DESCRIPTION

FIG. 1 is a perspective view of a printer showing our new design;
FIG. 2 is another perspective view of the printer;
FIG. 3 is a front view of the printer;
FIG. 4 is a rear view of the printer;
FIG. 5 is a right side view of the printer;
FIG. 6 is a left side view of the printer;
FIG. 7 is a plan view of the printer; and,
FIG. 8 is a bottom view of the printer.
The part represented by the solid line is the part that is being applied for a design registration as a partial design.

1 Claim, 8 Drawing Sheets



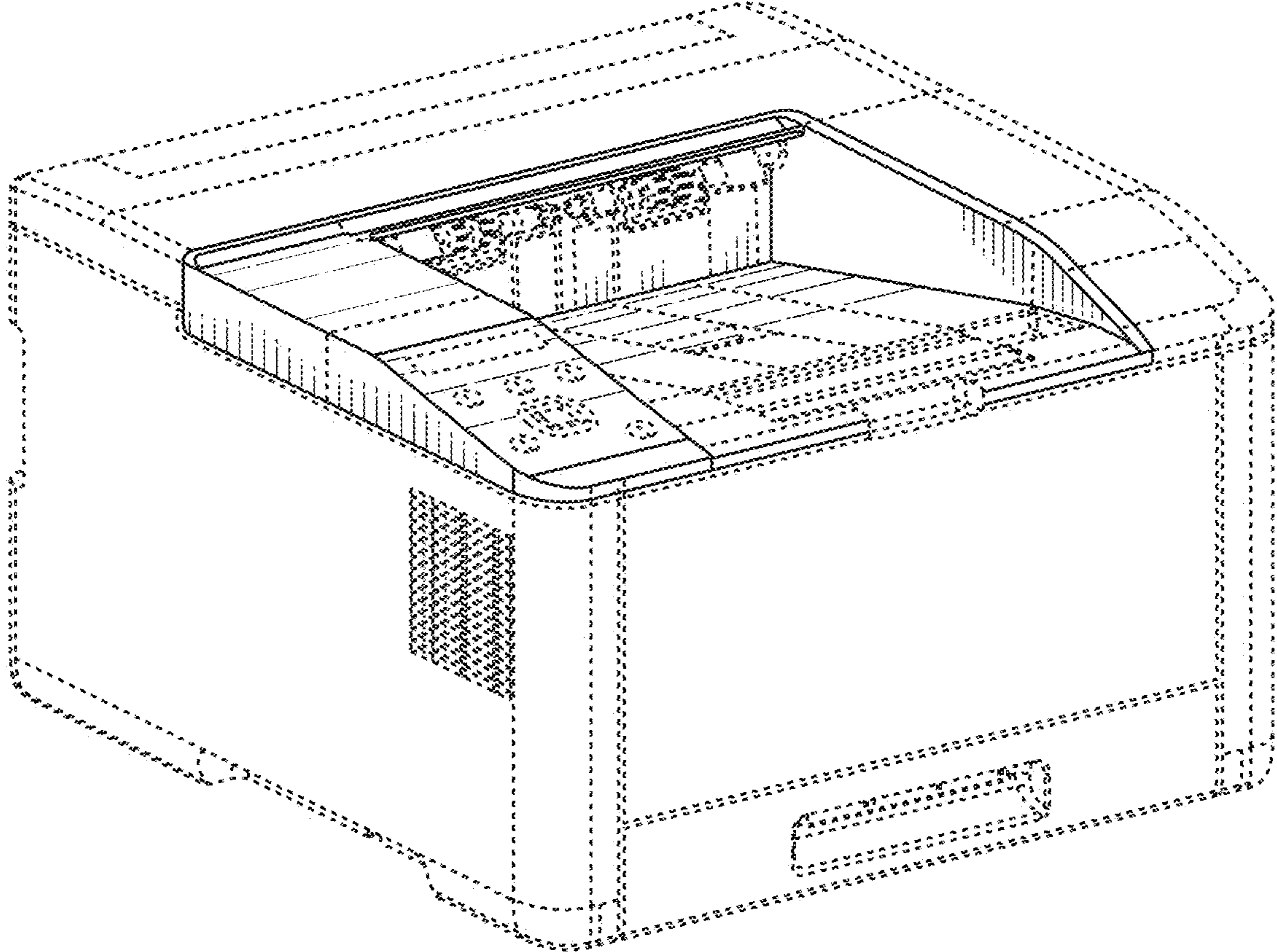


FIG. 1

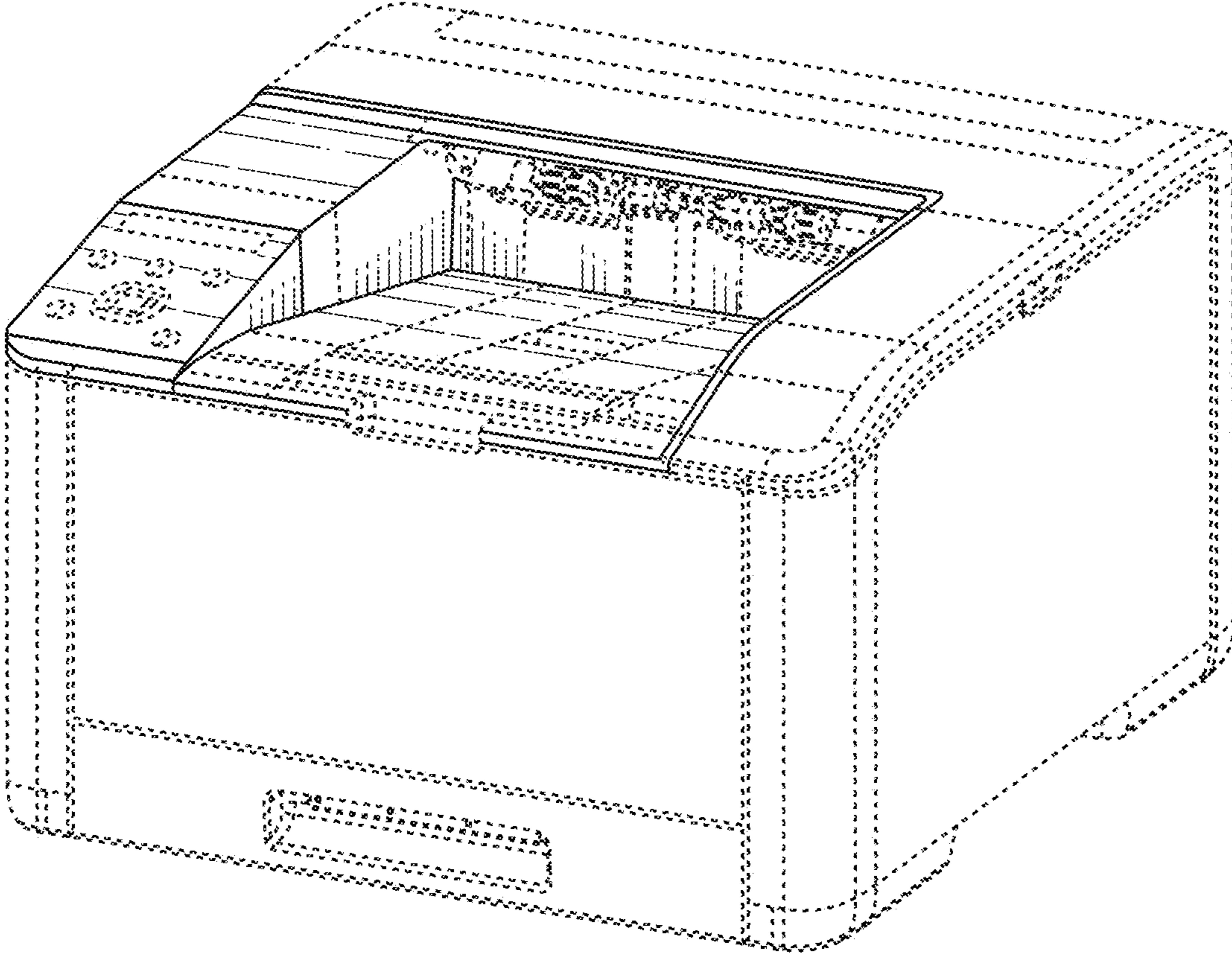


FIG. 2

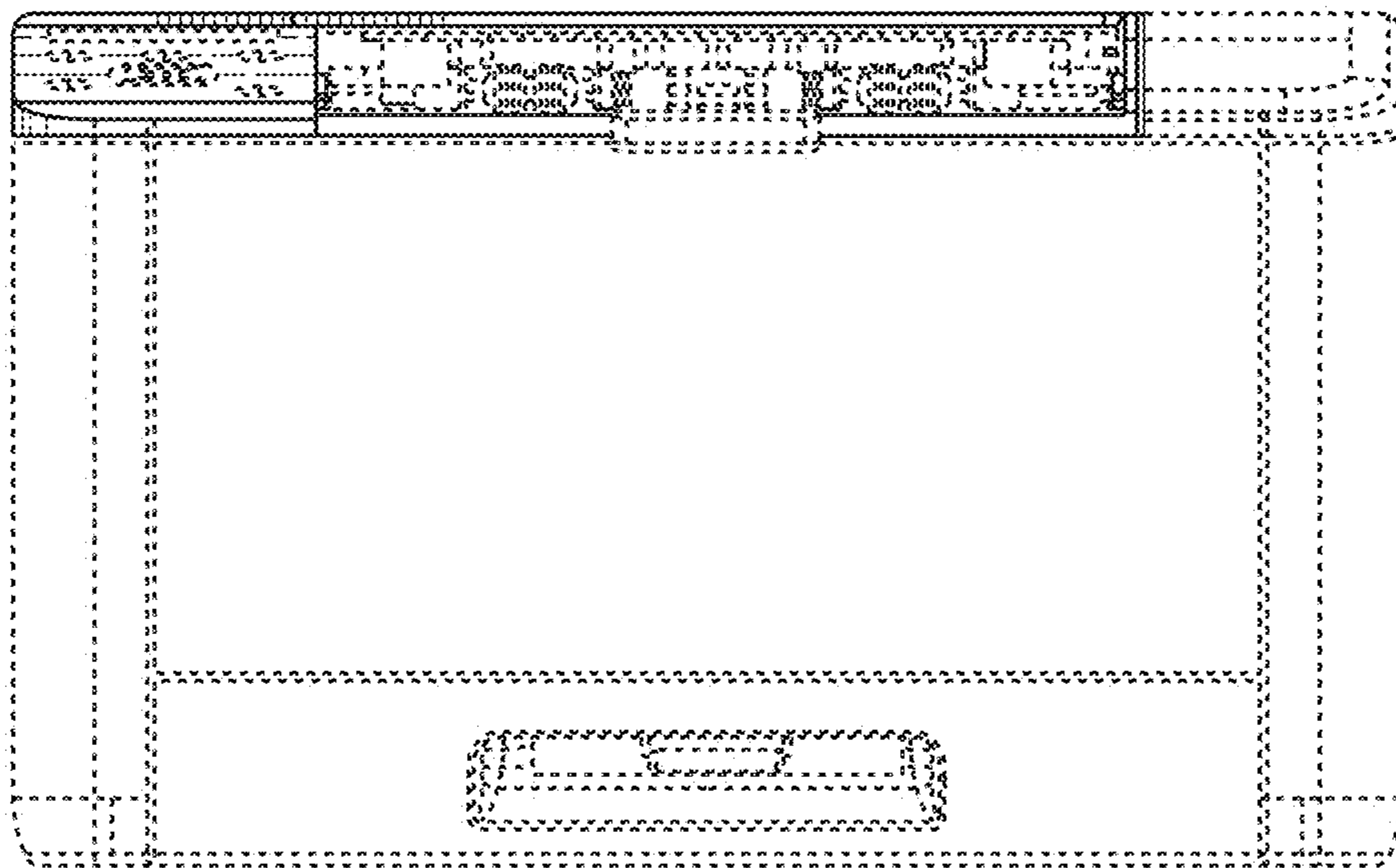


FIG. 3

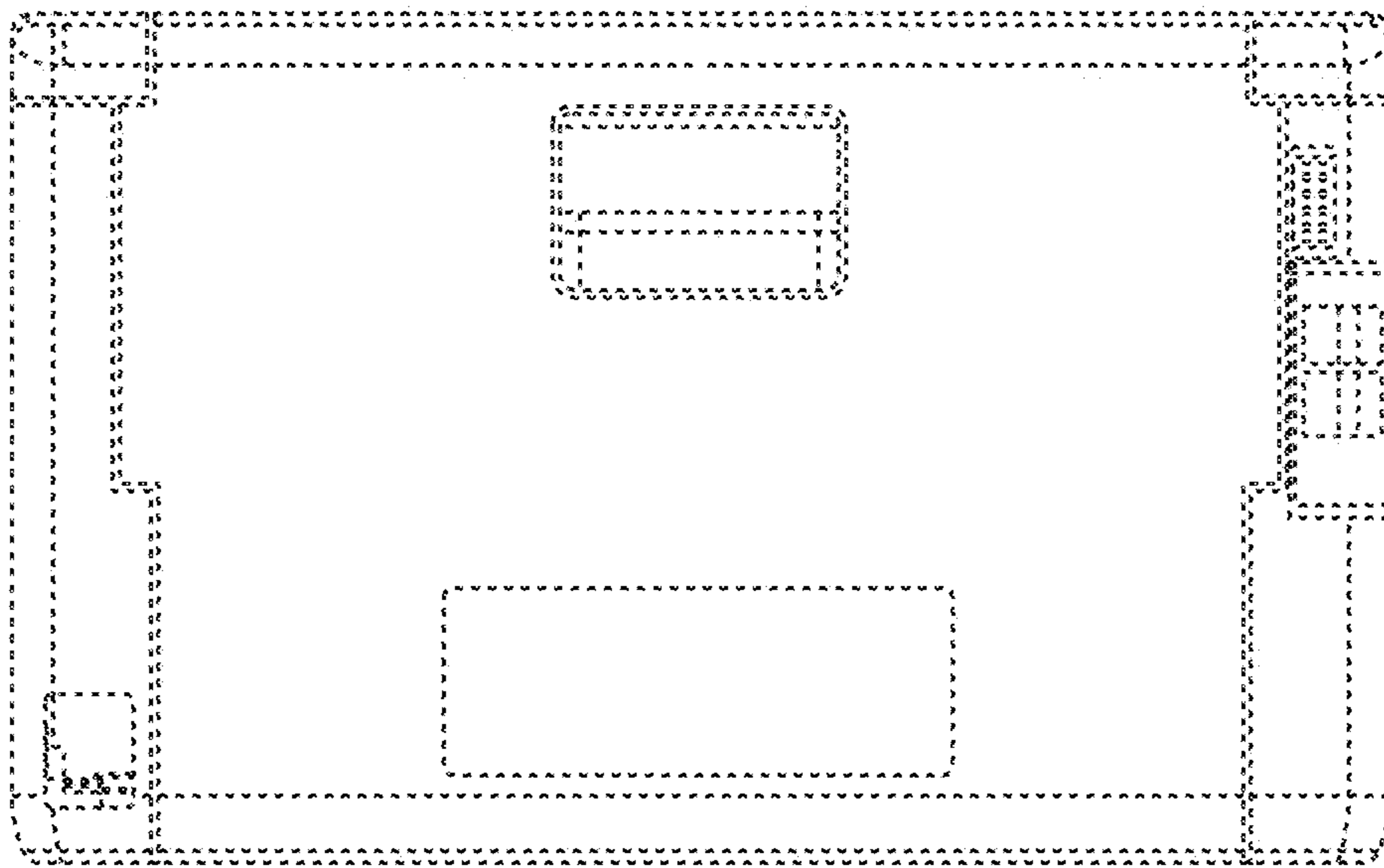


FIG. 4

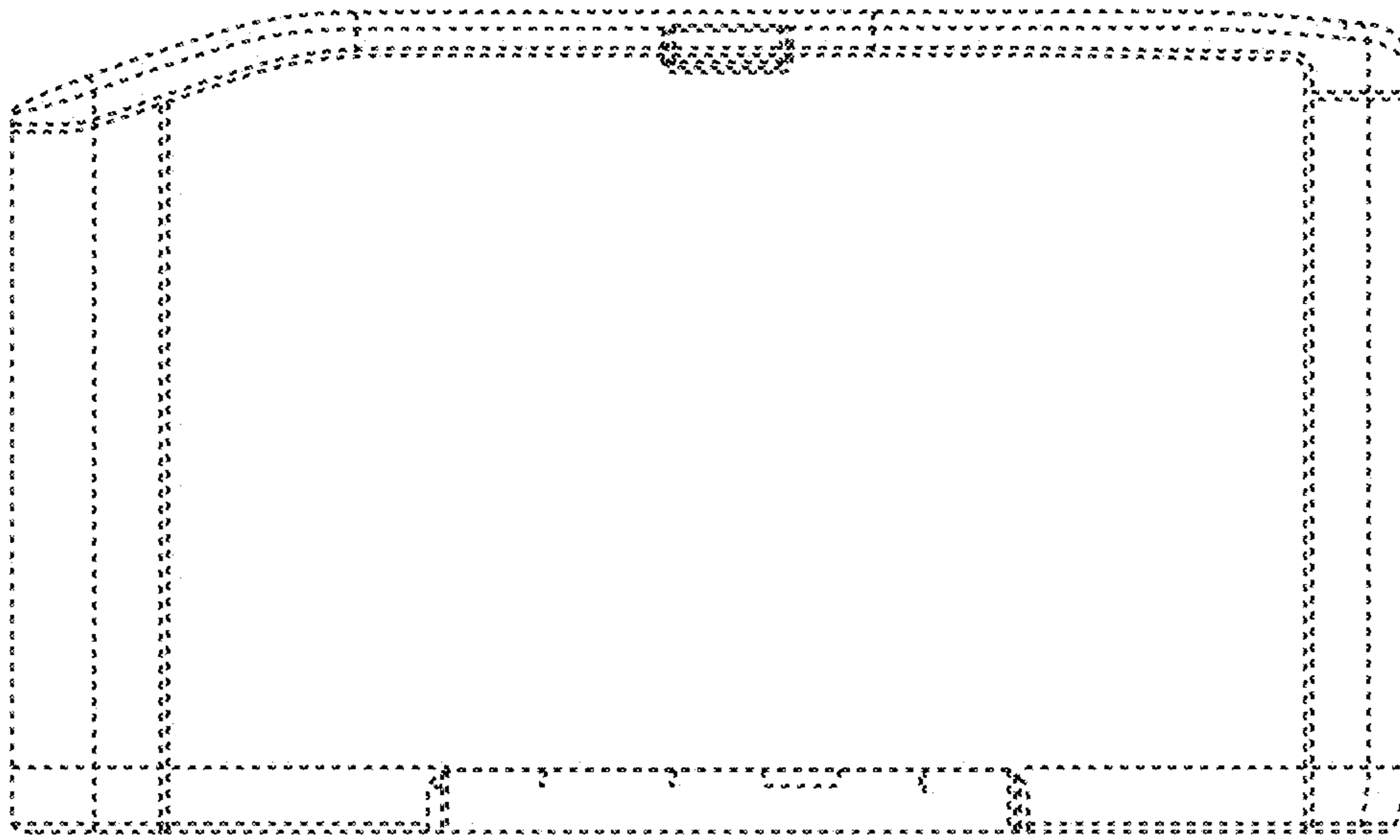


FIG. 5

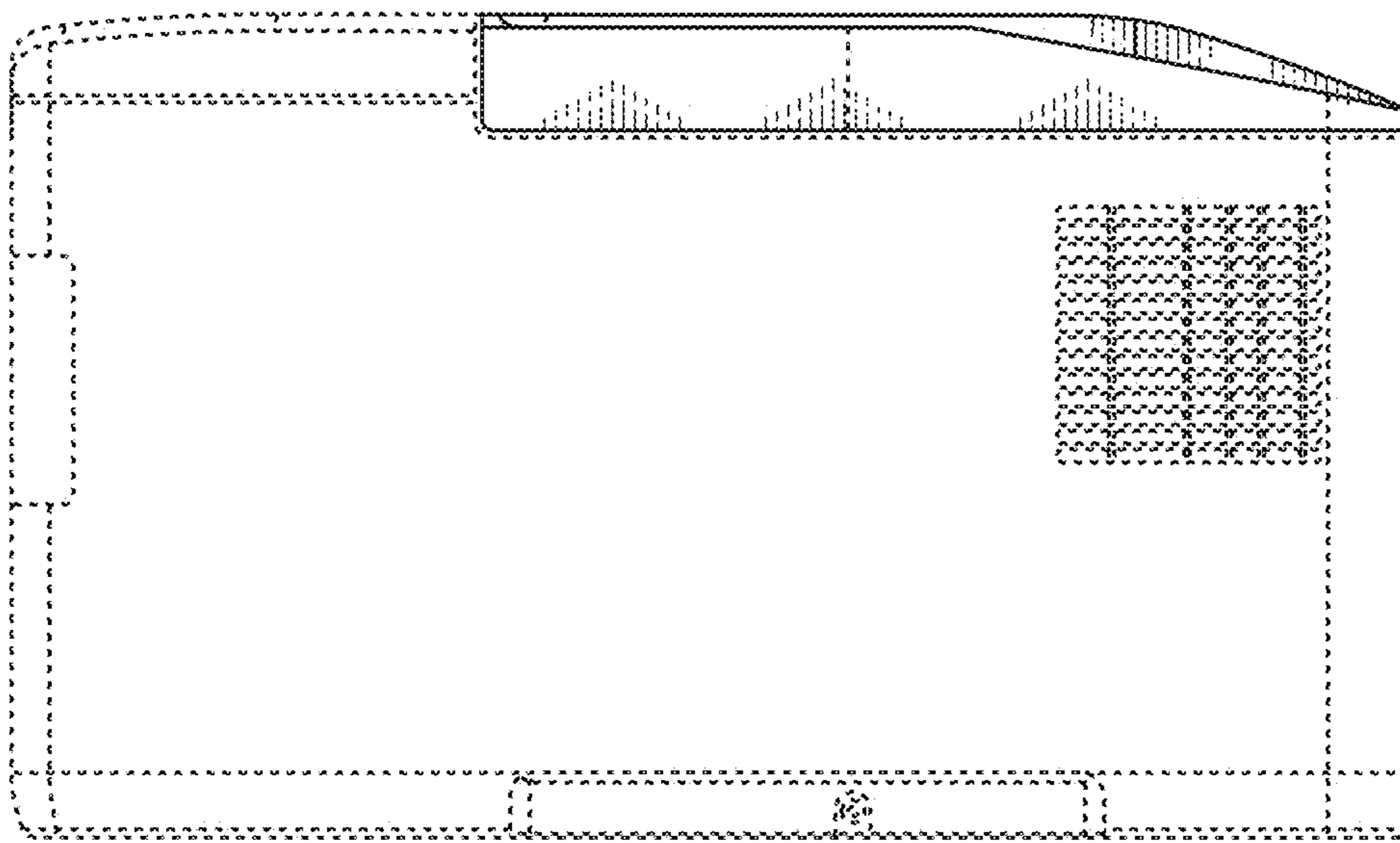


FIG. 6

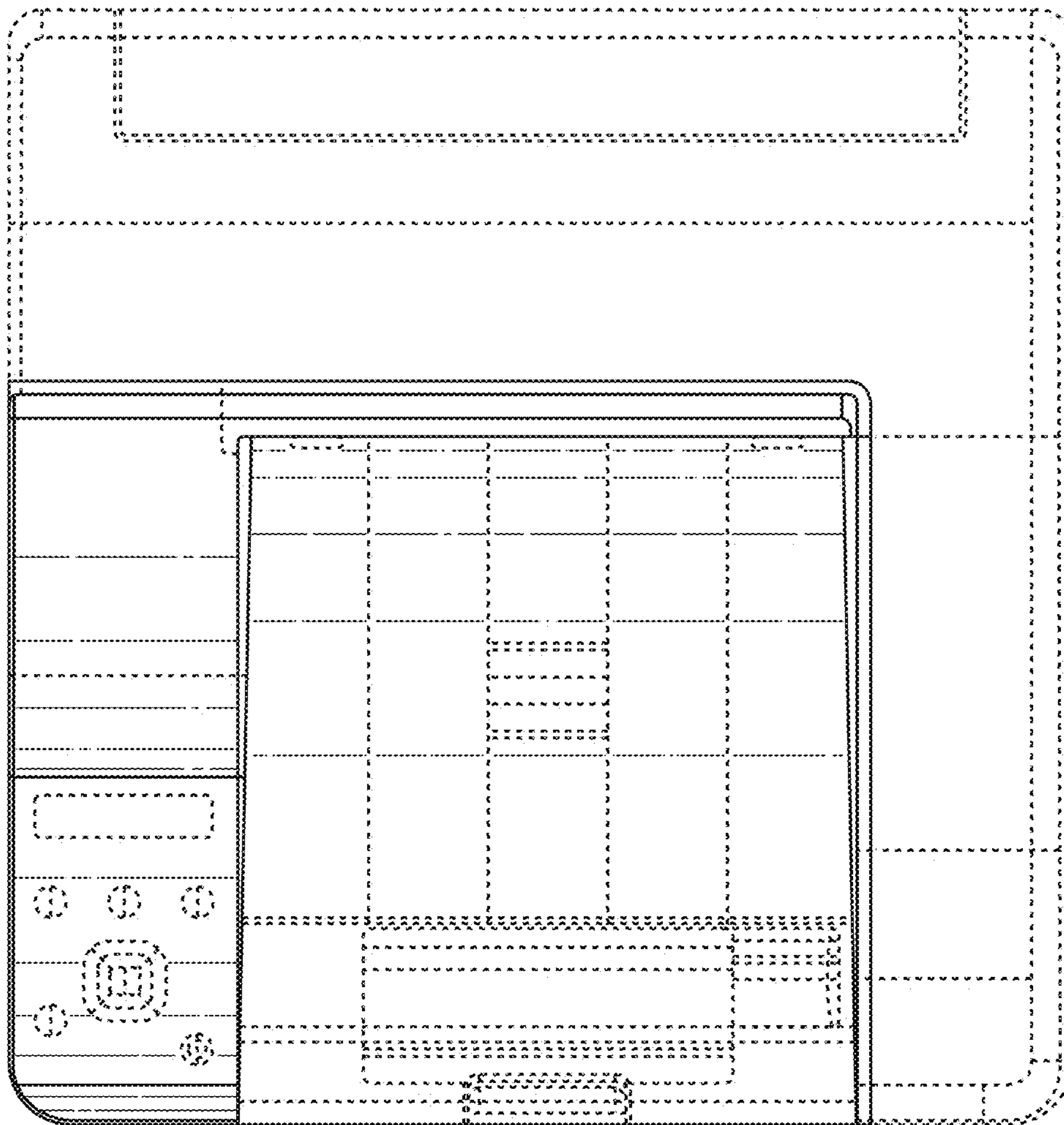


FIG. 7

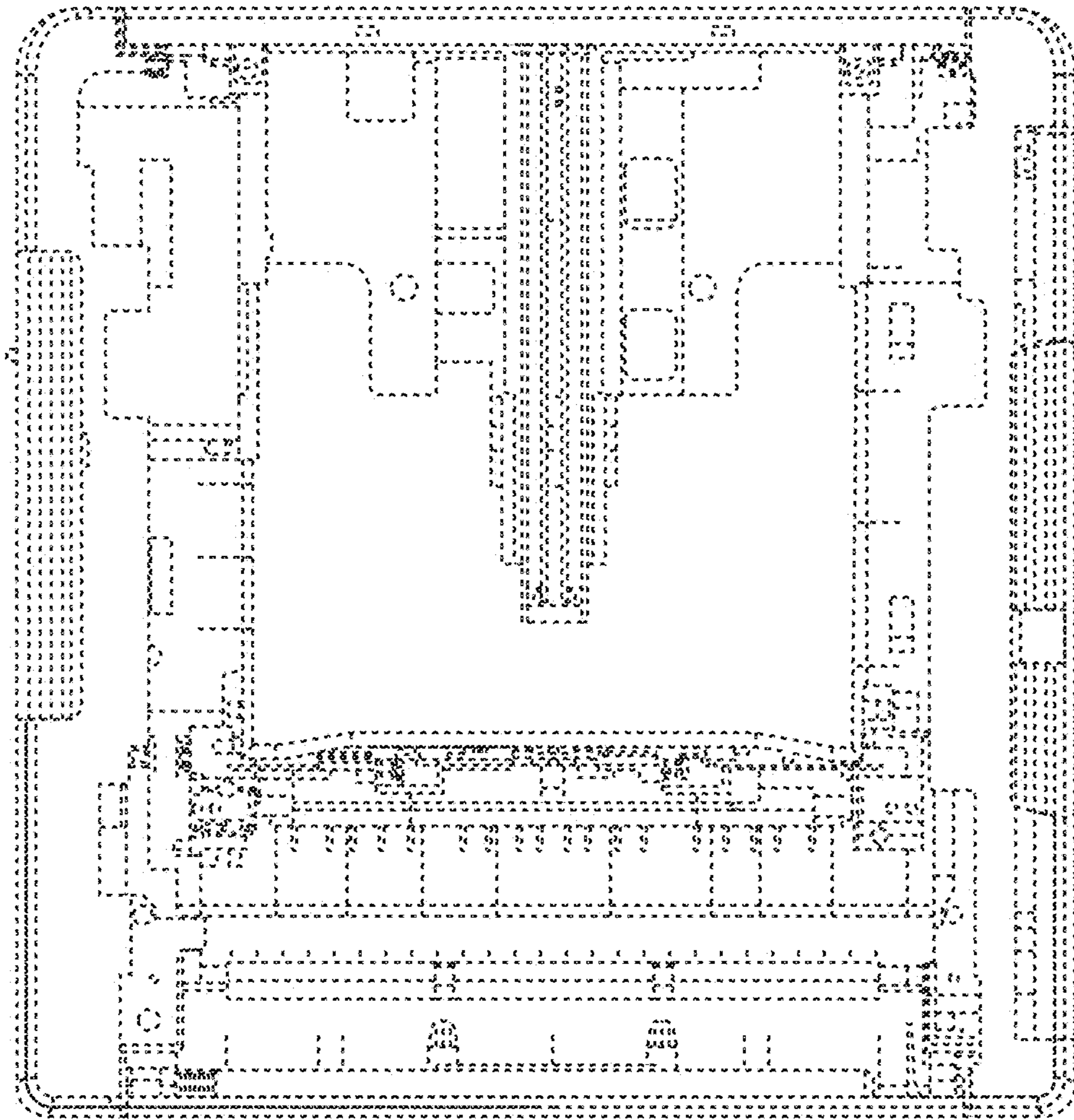


FIG. 8

UNITED STATES PATENT AND TRADEMARK OFFICE
CERTIFICATE OF CORRECTION

PATENT NO. : D975,176 S
APPLICATION NO. : 29/750994
DATED : January 10, 2023
INVENTOR(S) : Tsutomu Shiihara

Page 1 of 1

It is certified that error appears in the above-identified patent and that said Letters Patent is hereby corrected as shown below:

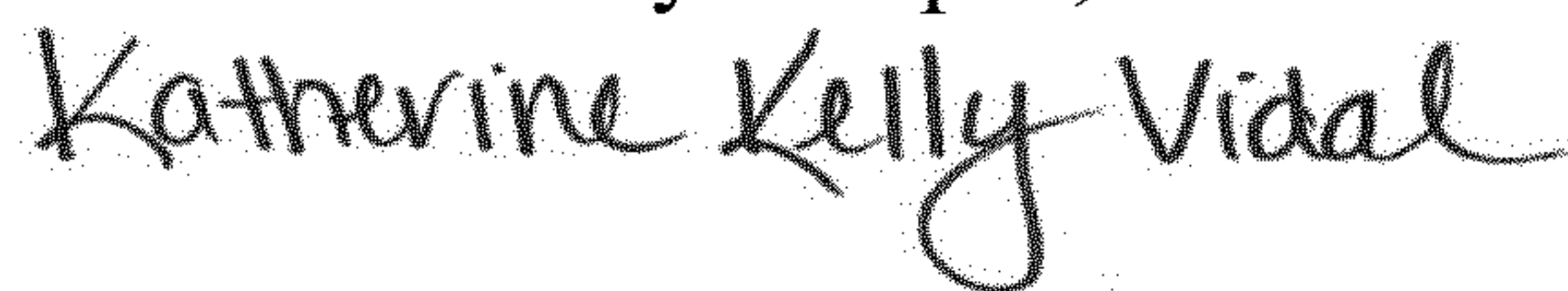
On the Title Page

Insert item (30):

--(30) Foreign Application Priority Data

March 24, 2020 (JP) 2020-005583--

Signed and Sealed this
Second Day of April, 2024



Katherine Kelly Vidal
Director of the United States Patent and Trademark Office