



US00D975174S

(12) **United States Design Patent**
Ooi et al.

(10) **Patent No.:** **US D975,174 S**
(45) **Date of Patent:** **** Jan. 10, 2023**

(54) **PRINTER**

D785,085 S * 4/2017 Lee D18/55
D788,843 S * 6/2017 Lee D18/55
D826,296 S * 8/2018 Noorazar D15/122

(71) Applicant: **TOSHIBA TEC KABUSHIKI**
KAISHA, Tokyo (JP)

(Continued)

(72) Inventors: **In Seng Ooi**, Singapore (SG);
Masayuki Nakaeda, Kanagawa (JP)

FOREIGN PATENT DOCUMENTS

(73) Assignee: **TOSHIBA TEC KABUSHIKI**
KAISHA, Tokyo (JP)

CN 304220558 * 7/2017
JP D1597817 * 9/2017
JP D1644994 * 10/2019

(**) Term: **15 Years**

OTHER PUBLICATIONS

(21) Appl. No.: **29/714,404**

Toshiba TP9015091 Thermal Printno p. 1, 2021-Techinn-29714404-
<https://bit.ly/3EkSwzF> (Year: 2021).*

(22) Filed: **Nov. 22, 2019**

Primary Examiner — Jennifer L Rempfer

(30) **Foreign Application Priority Data**

Assistant Examiner — Danielle Nichole Bowly

May 24, 2019 (JP) 2019-011436

(74) *Attorney, Agent, or Firm* — Foley & Lardner LLP

(51) **LOC (14) Cl.** **14-02**

(57) **CLAIM**

(52) **U.S. Cl.**
USPC **D18/50**

We claim the ornamental design for a printer, as shown and described.

(58) **Field of Classification Search**
USPC D18/4.1, 4.4, 4.6, 37, 38, 39, 50, 53, 54,
D18/55, 59; D14/300, 301, 302, 307,
D14/308, 314, 321, 365; D6/514, 672,
D6/681.2, 691.9

DESCRIPTION

CPC ... H04H 2201/0094; H04H 2201/0081; H04N
1/00278

FIG. 1 is a front perspective view of a printer, showing the new design;
FIG. 2 is a front view of the printer of FIG. 1;
FIG. 3 is a rear view of the printer of FIG. 1;
FIG. 4 is a top view of the printer of FIG. 1;
FIG. 5 is a bottom view of the printer of FIG. 1;
FIG. 6 is a right side view of the printer of FIG. 1; and,
FIG. 7 is a left side view of the printer of FIG. 1.

See application file for complete search history.

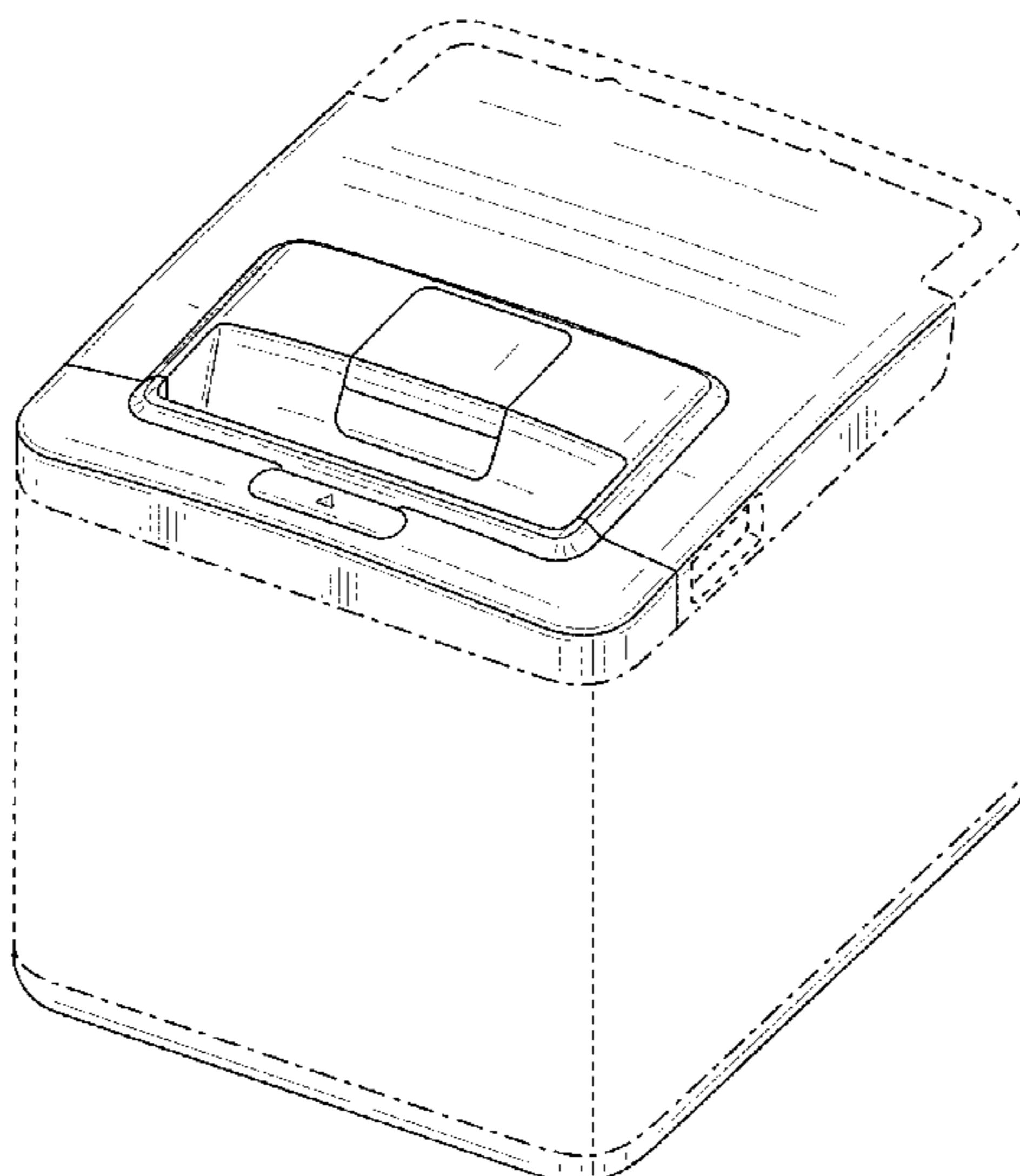
The ornamental design which is claimed is shown in solid lines in the drawings. The broken lines shown in the drawings represent portions of the printer that form no part of the claimed design. Broken lines formed of unequal length dashes (i.e., dash-dot) show boundaries between the portions of the printer that form no part of the claimed design.

(56) **References Cited**

U.S. PATENT DOCUMENTS

D465,236 S * 11/2002 Fukasawa D18/50
D558,264 S * 12/2007 Smith D18/55
D590,873 S * 4/2009 Suzuki D18/55
D641,039 S * 7/2011 Kimura D18/55
D682,927 S * 5/2013 Azegami D18/50
D686,275 S * 7/2013 Nakazawa D18/50
D763,330 S * 8/2016 Olive D15/122
D767,671 S * 9/2016 Endo D18/50
D770,545 S * 11/2016 Olive D15/122

1 Claim, 7 Drawing Sheets



(56)

References Cited

U.S. PATENT DOCUMENTS

D892,919 S * 8/2020 Nakatani D18/19
D892,924 S * 8/2020 Tobita D18/50

* cited by examiner

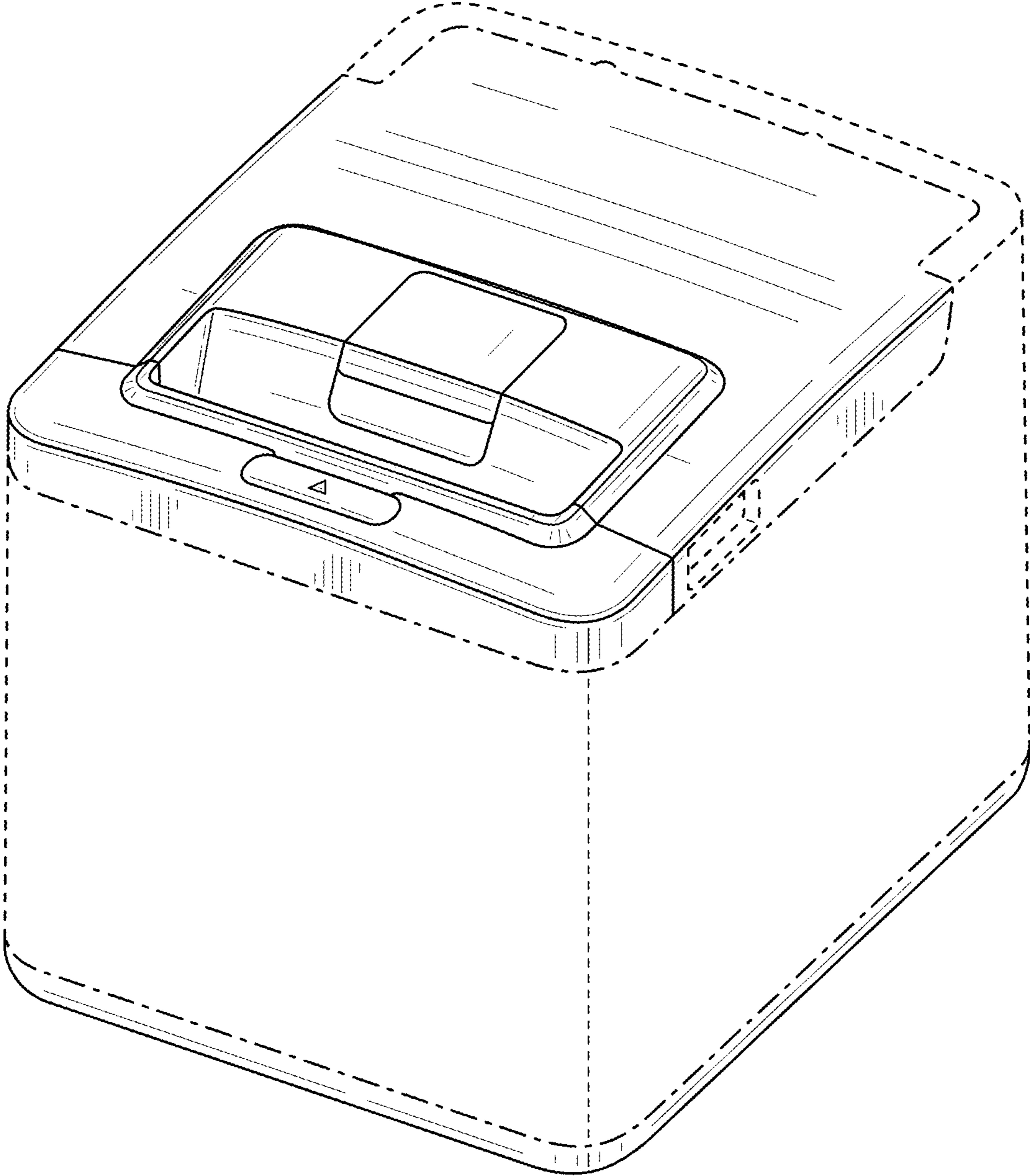


FIG. 1

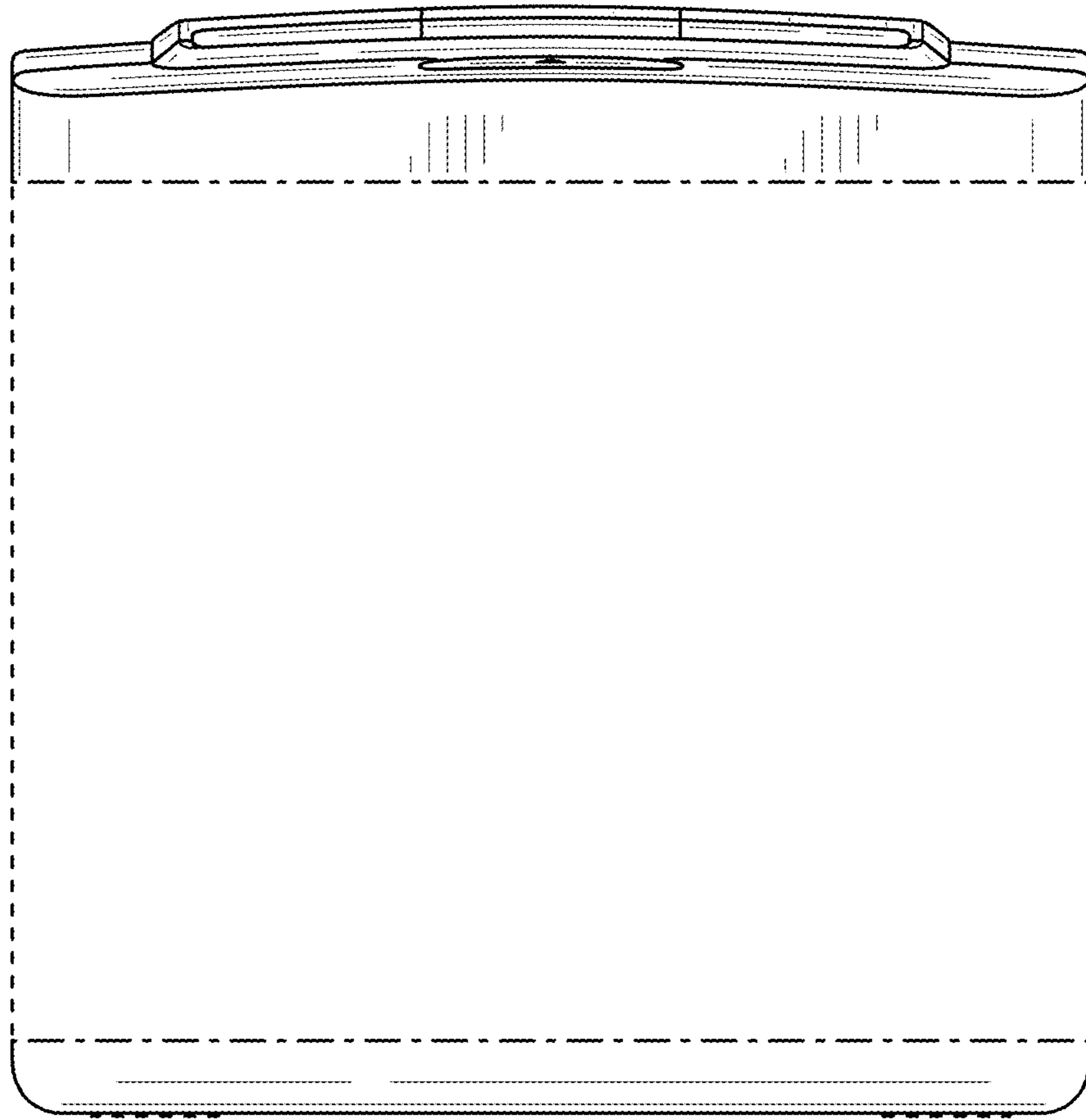


FIG. 2

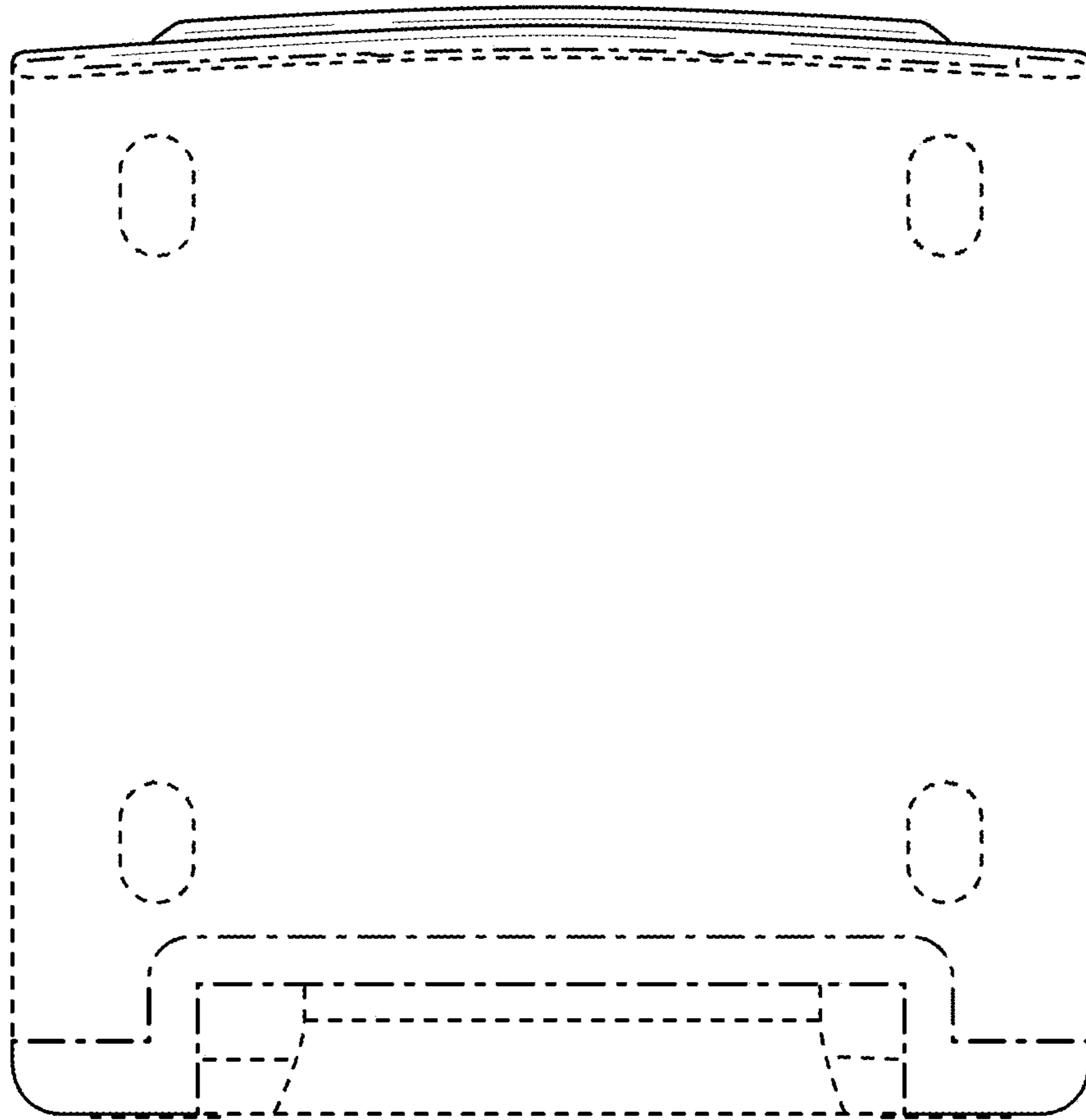


FIG. 3

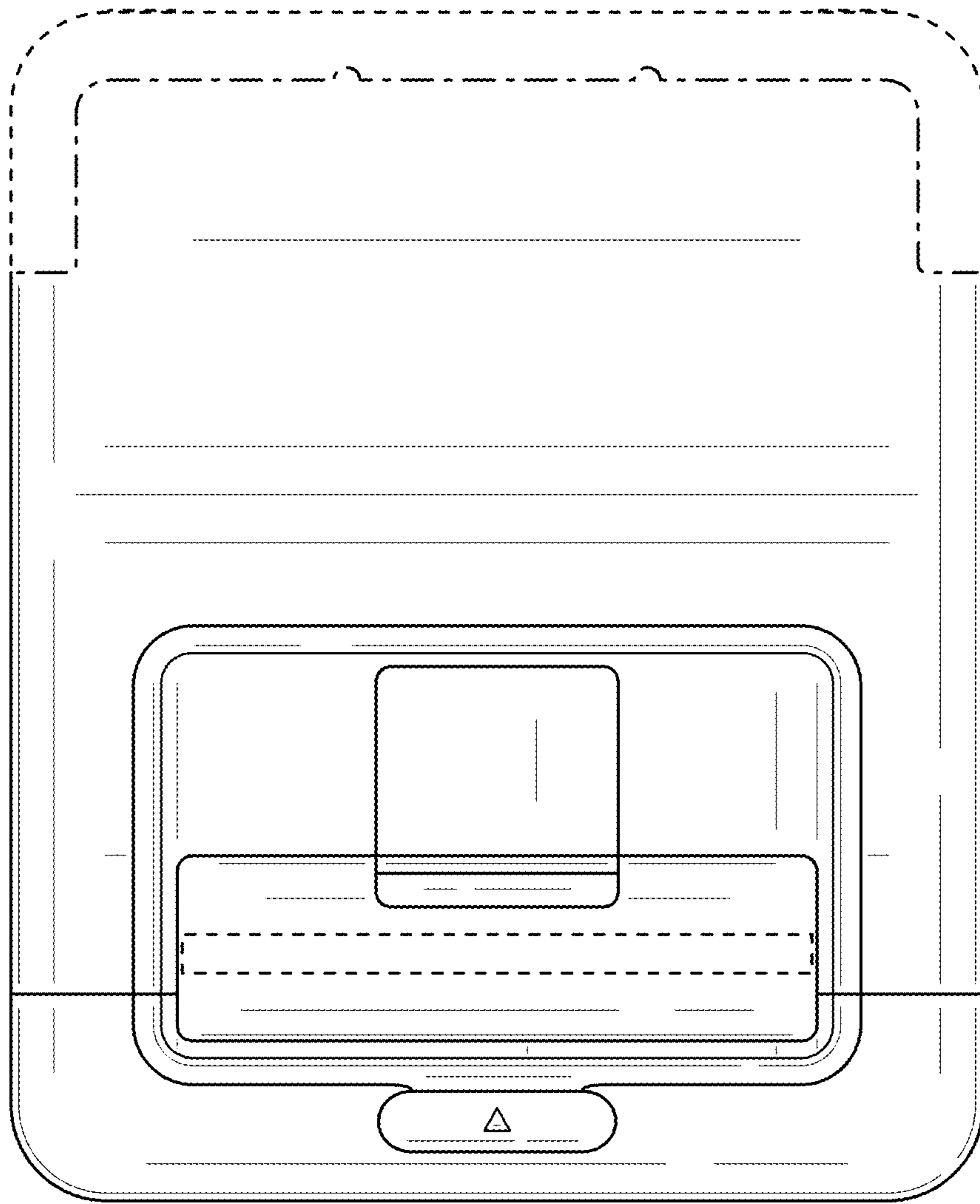


FIG. 4

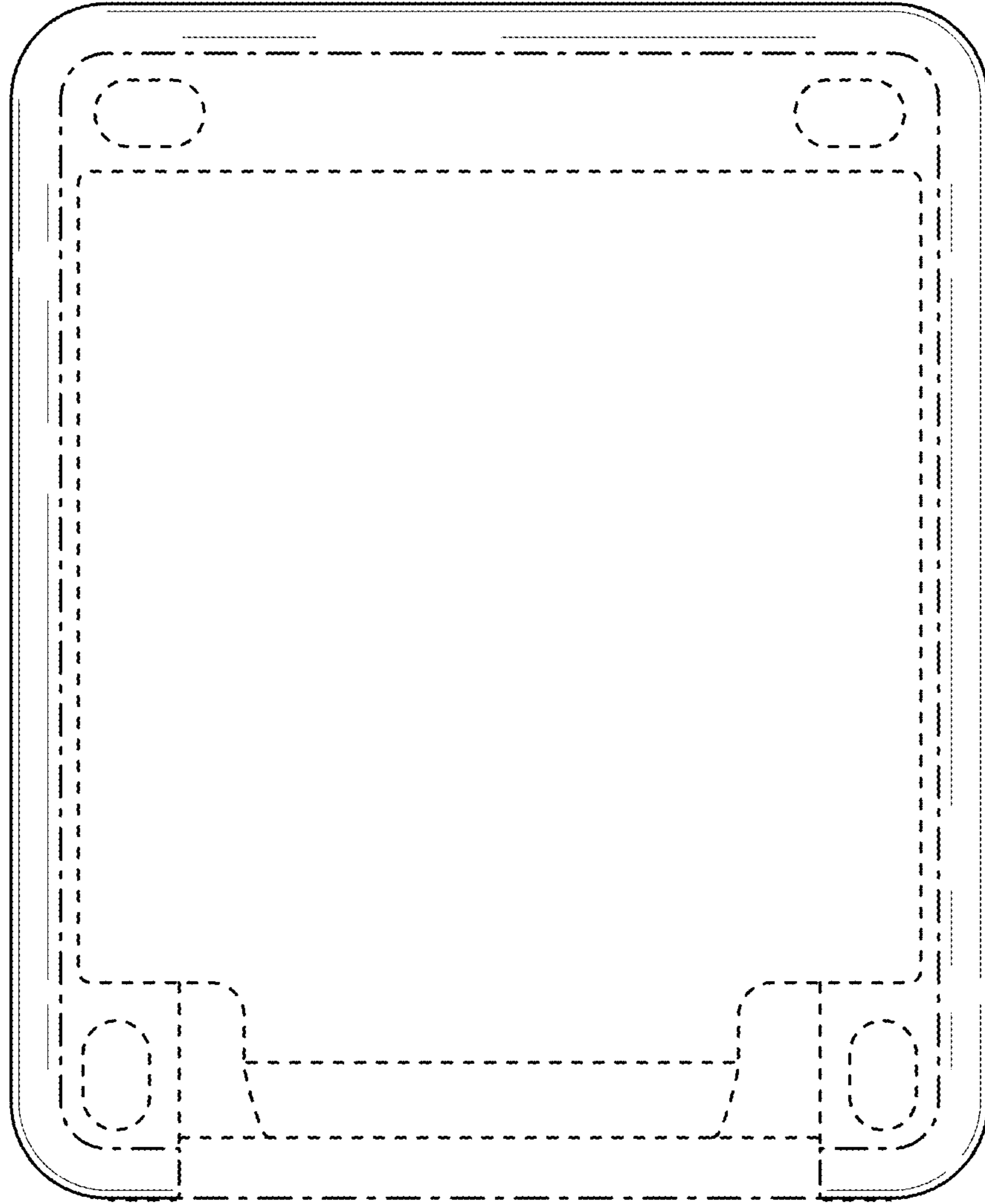


FIG. 5

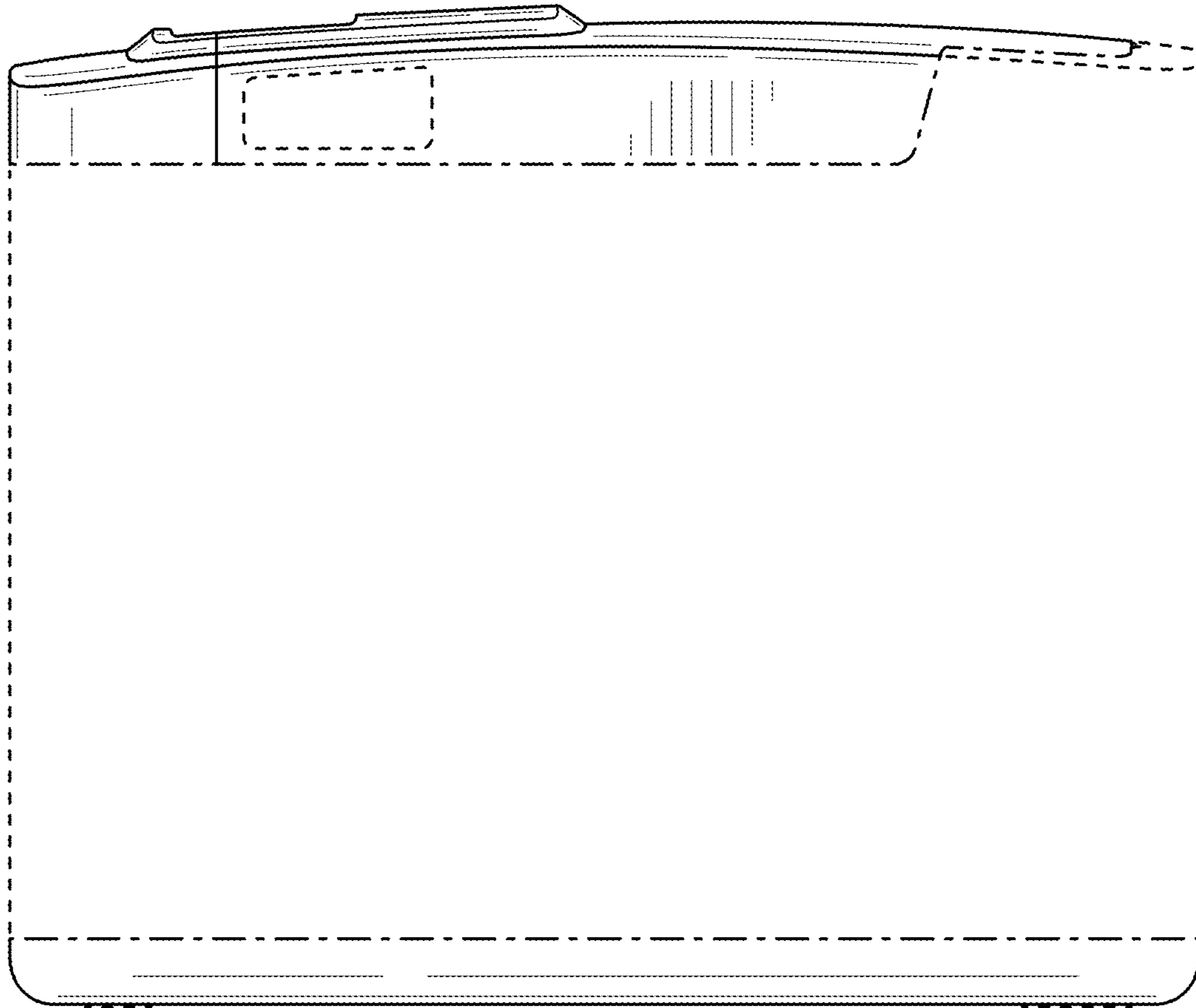


FIG. 6

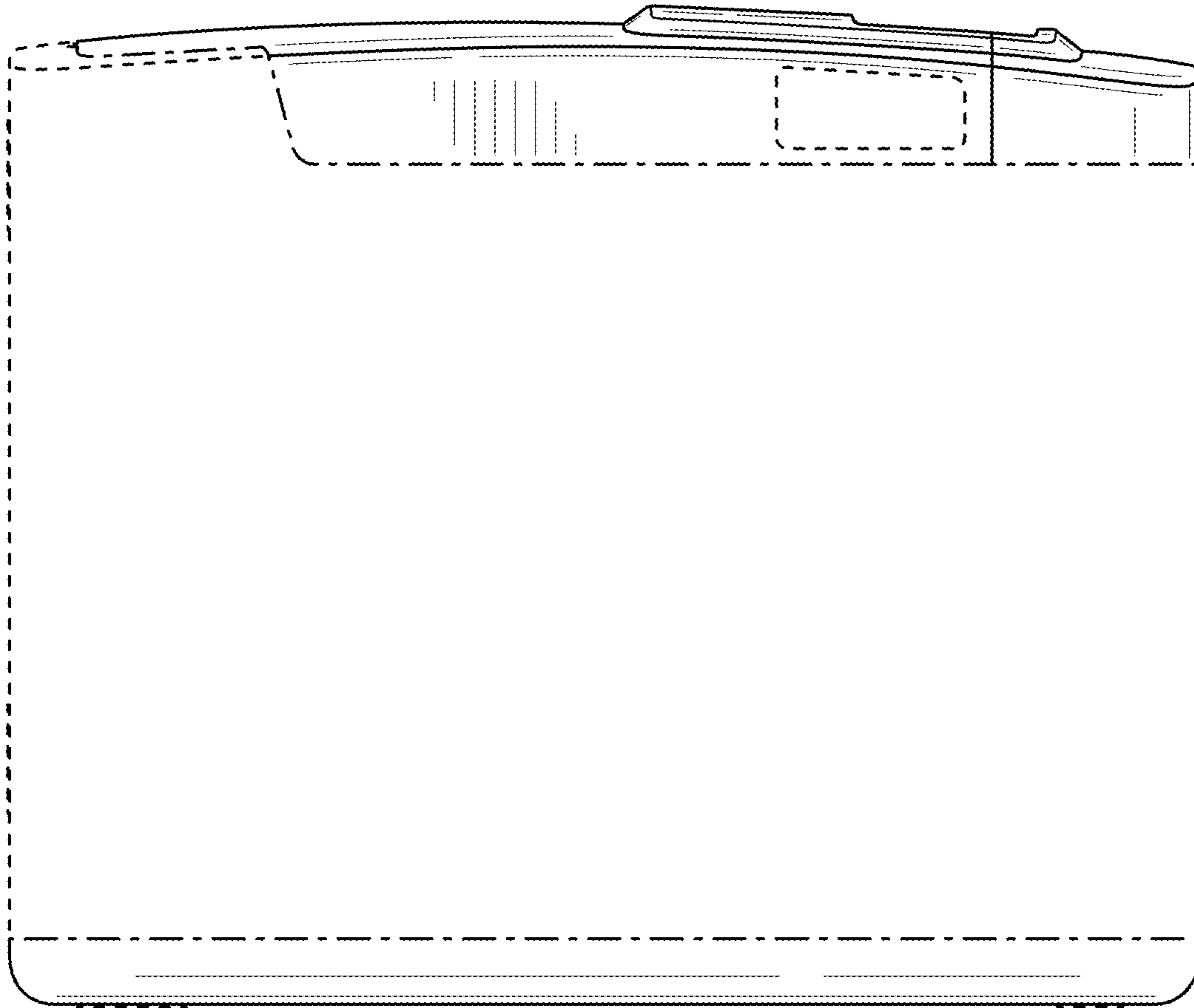


FIG. 7