



US00D975171S

(12) **United States Design Patent**
Wang et al.

(10) **Patent No.:** **US D975,171 S**
(45) **Date of Patent:** **** Jan. 10, 2023**

(54) **TRIPOD**

DESCRIPTION

- (71) Applicant: **SHENZHEN XINGYINGDA INDUSTRY CO., LTD.**, Shenzhen (CN)
- (72) Inventors: **Jun Wang**, Shenzhen (CN); **Yan Ke**, Shenzhen (CN)
- (73) Assignee: **SHENZHEN XINGYINGDA INDUSTRY CO., LTD.**, Shenzhen (CN)
- (**) Term: **15 Years**
- (21) Appl. No.: **29/844,064**
- (22) Filed: **Jun. 27, 2022**
- (51) **LOC (14) Cl.** **16-05**
- (52) **U.S. Cl.**
USPC **D16/244**
- (58) **Field of Classification Search**
USPC D16/202, 208–209, 219, 237–240
(Continued)

(56) **References Cited**

U.S. PATENT DOCUMENTS

- D888,814 S 6/2020 Chen
- D895,716 S * 9/2020 Chen D16/244
(Continued)

FOREIGN PATENT DOCUMENTS

- CN 305878773 S 6/2020
- CN 306832628 S 9/2021
(Continued)

Primary Examiner — Ramzi Almatrahi

(74) *Attorney, Agent, or Firm* — Nixon & Vanderhye, P.C.

(57) **CLAIM**

The ornamental design for a tripod, as shown and described.

FIG. 1 is a top, front and left side perspective view of a tripod showing our new design, with the legs in a stowed configuration;

FIG. 2 is a front elevation view thereof;

FIG. 3 is a rear elevation view thereof;

FIG. 4 is a top plan view thereof;

FIG. 5 is a bottom plan view thereof;

FIG. 6 is a right side elevation view thereof;

FIG. 7 is a left side elevation view thereof;

FIG. 8 is a top, front and right side perspective view thereof;

FIG. 9 is a top, rear and left side perspective view thereof;

FIG. 10 is a bottom perspective view thereof;

FIG. 11 is a top, front and left side perspective view thereof, shown with the tripod legs in an extended configuration;

FIG. 12 is a front elevation view thereof;

FIG. 13 is a rear elevation view thereof;

FIG. 14 is a top plan view thereof;

FIG. 15 is a bottom plan view thereof;

FIG. 16 is a right side elevation view thereof;

FIG. 17 is a left side elevation view thereof;

FIG. 18 is a top, front and right side perspective view thereof;

FIG. 19 is a top, rear and left side perspective view thereof;

FIG. 20 is a bottom perspective view thereof;

FIG. 21 is a top, front and left side perspective view thereof, shown with the tripod legs in a collapsed and open configuration;

FIG. 22 is a front elevation view thereof;

FIG. 23 is a rear elevation view thereof;

FIG. 24 is a top plan view thereof;

FIG. 25 is a bottom plan view thereof;

FIG. 26 is a right side elevation view thereof;

FIG. 27 is a left side elevation view thereof;

FIG. 28 is a top, front and right side perspective view thereof;

FIG. 29 is a top, rear and left side perspective view thereof;

FIG. 30 is a bottom perspective view thereof;

FIG. 31 is a top, front and left side perspective view thereof, shown with the tripod in an alternate configuration and in condition of use;

(Continued)

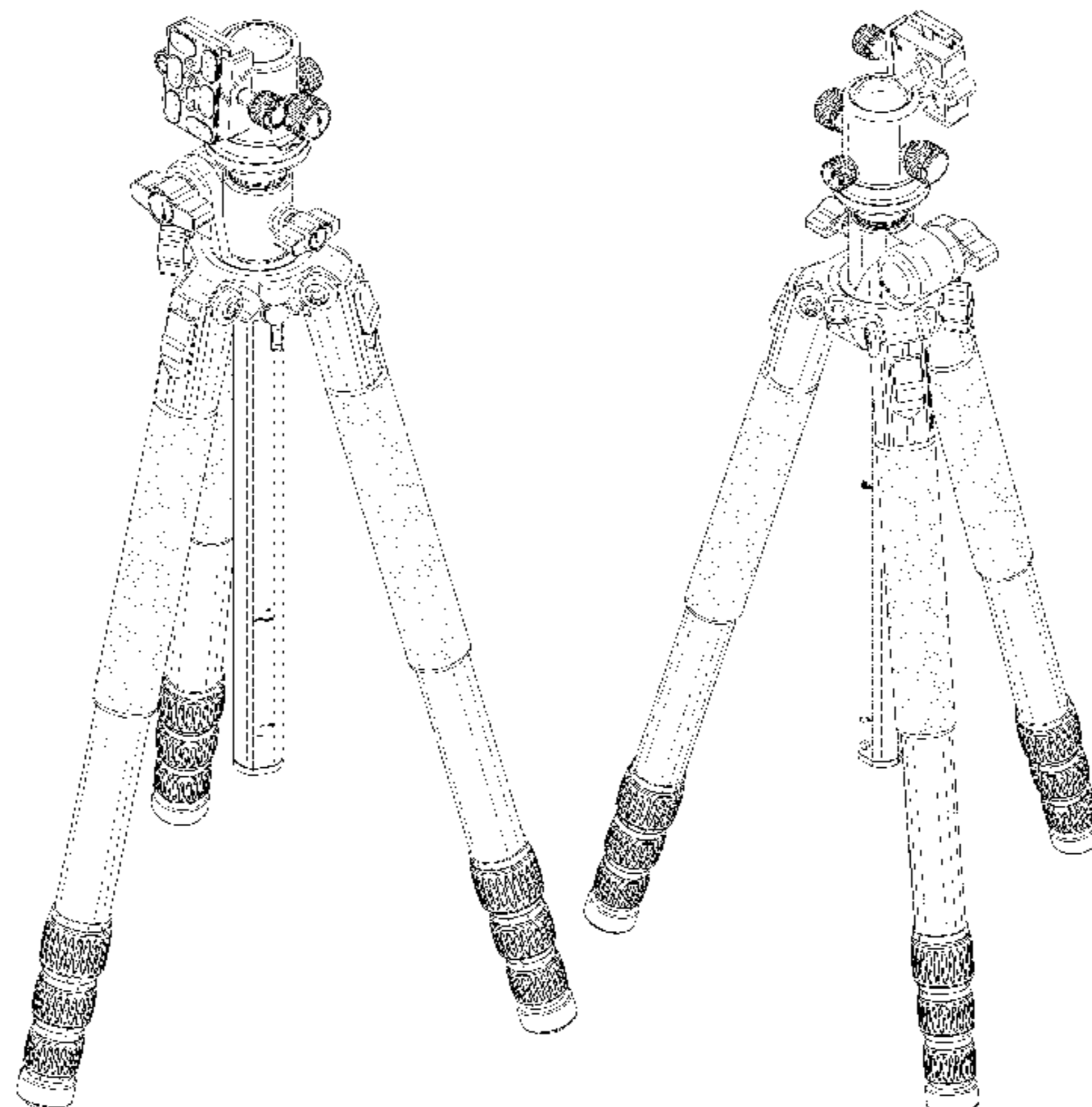


FIG. 32 is a top, front and left side perspective view thereof, shown with the tripod in a second alternate configuration and in condition of use;

FIG. 33 is a top, front and left side perspective view thereof, shown with the tripod in a third alternate configuration and in condition of use;

FIG. 34 is a top, front and left side perspective view thereof, shown with the tripod in a fourth alternate configuration and in condition of use;

FIG. 35 is a top, front and left side perspective view thereof, shown with the tripod in a fifth alternate configuration and in condition of use with a camera disclosed in broken lines to illustrate an environment; and,

FIG. 36 is a top and rear perspective view thereof, shown with the tripod in a sixth alternate configuration and in condition of use.

The broken lines depict portions of the tripod in which the design is embodied that form no part of the claimed design.

The broken lines showing a camera in FIGS. 35 and 36 represent environmental structure and form no part of the claimed design.

1 Claim, 36 Drawing Sheets

(58) **Field of Classification Search**

CPC G03B 17/02; G03B 17/56; G03B 17/04;

G03B 17/561-566; G03B 15/03; H04N 5/2251; H04N 5/2252; H04N 5/2253; H04N 5/2254; G02B 7/02; G02B 7/04; G02B 7/14

See application file for complete search history.

(56)

References Cited

U.S. PATENT DOCUMENTS

D901,578	S	*	11/2020	Wang	D16/244
D909,456	S	*	2/2021	Xiao	D16/244
D915,495	S	*	4/2021	Zeng	D16/244
D916,172	S	*	4/2021	Zeng	D16/244
D942,529	S	*	2/2022	Lin	D16/244
D943,020	S	*	2/2022	Lin	D16/244
D946,076	S	*	3/2022	Zhou	D16/244
D947,930	S		4/2022	Chen		
D956,128	S	*	6/2022	Lin	D16/244
D957,510	S	*	7/2022	Lin	D16/244
D959,539	S	*	8/2022	Lin	D16/244

FOREIGN PATENT DOCUMENTS

CN	307035676	S	12/2021
CN	307049269	S	1/2022
FR	0069550001	S	3/2001
GB	2016429	S	4/1992
GB	6111225	S	12/2020
SE	199325010001	S	9/1994

* cited by examiner

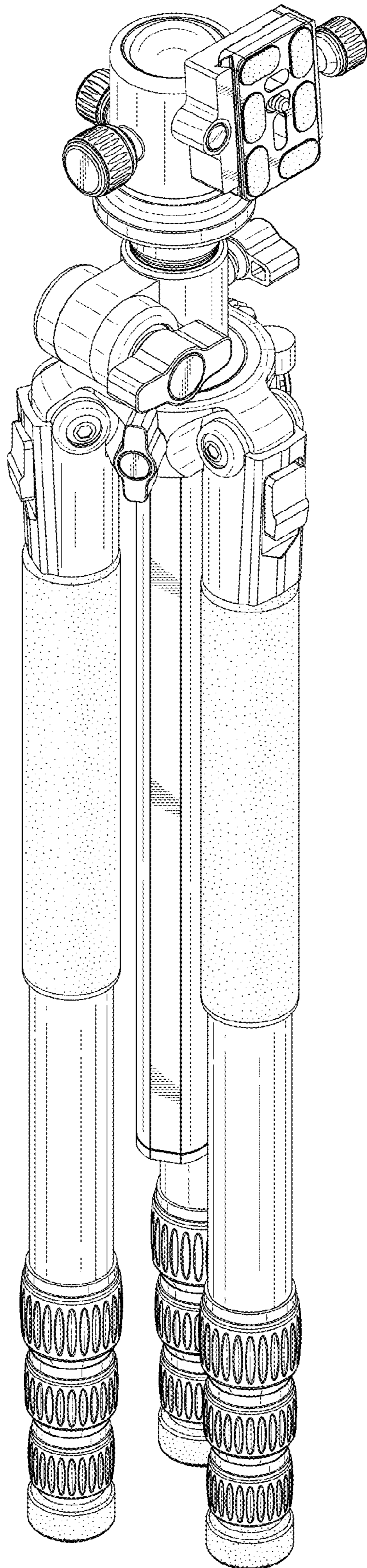


FIG. 1

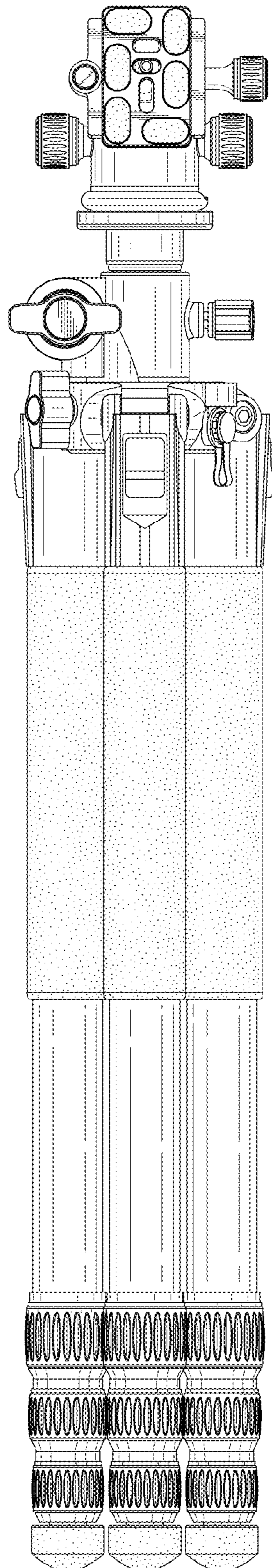


FIG. 2

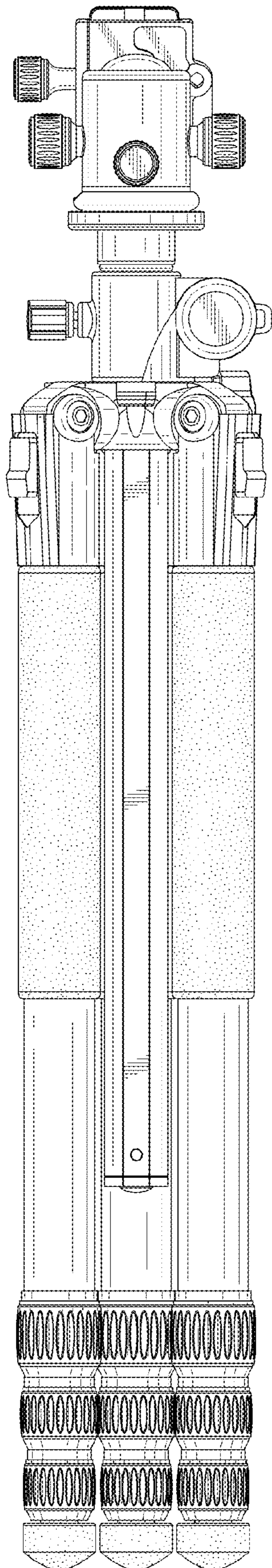


FIG. 3

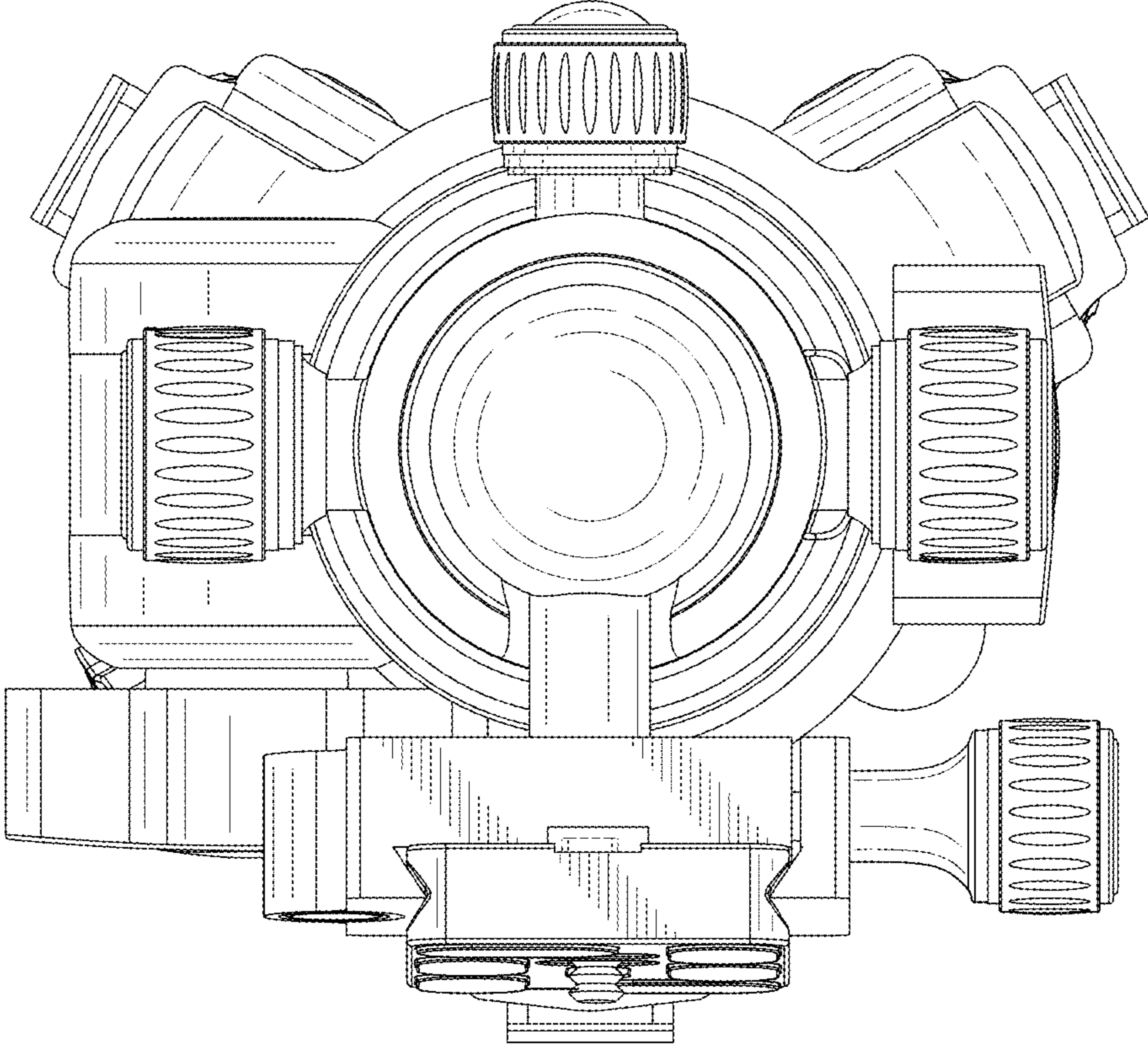


FIG. 4

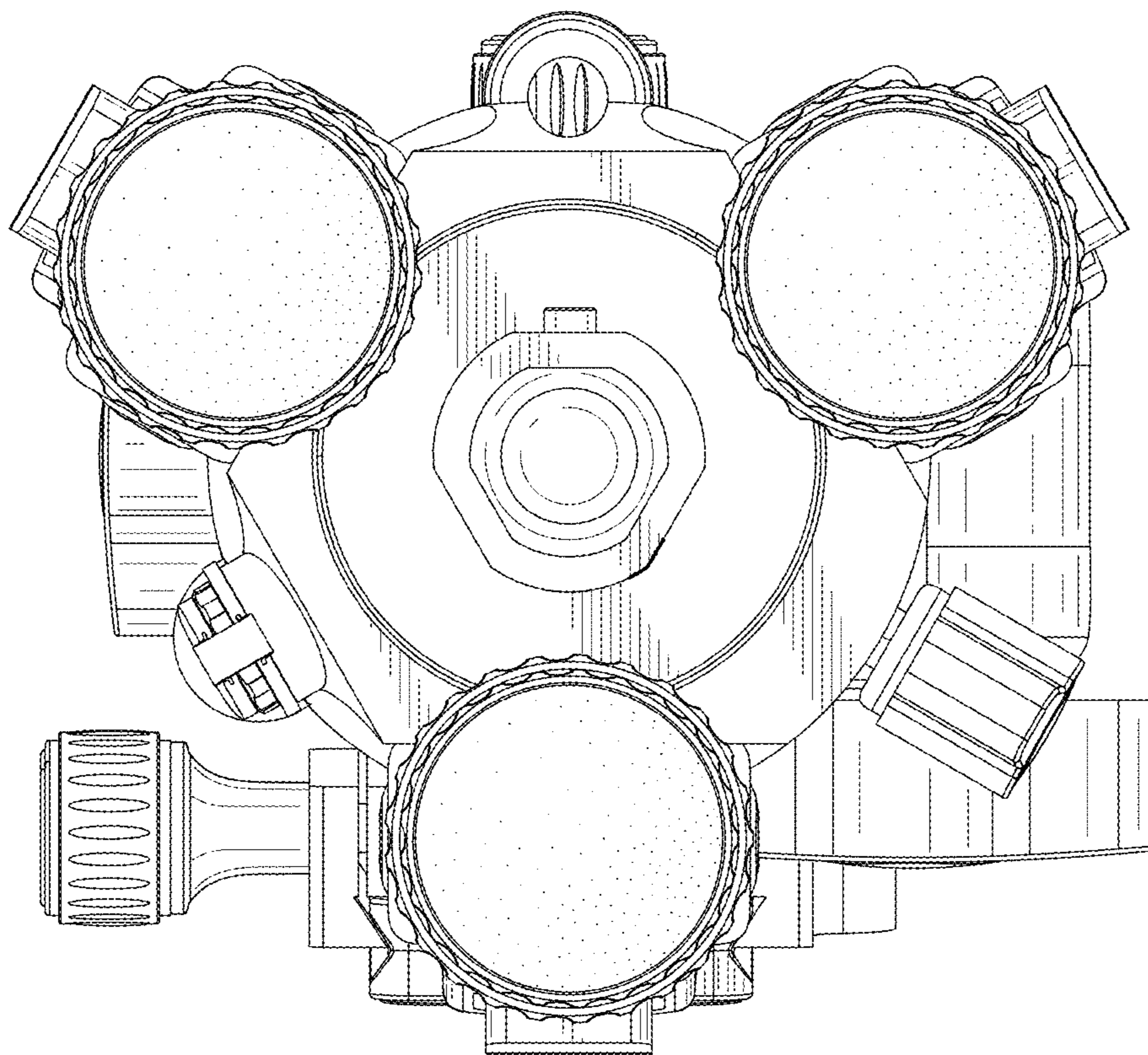


FIG. 5

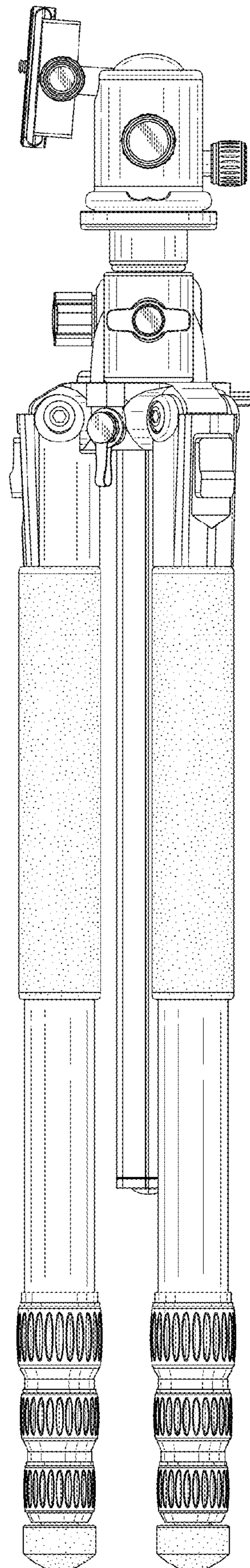


FIG. 6

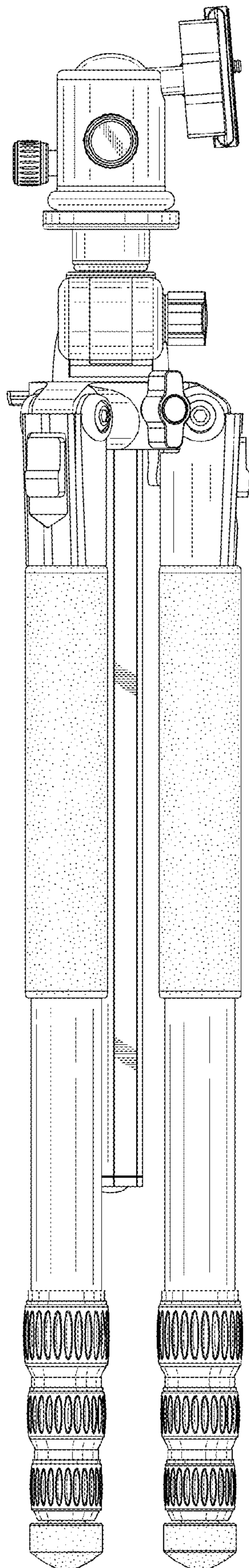


FIG. 7

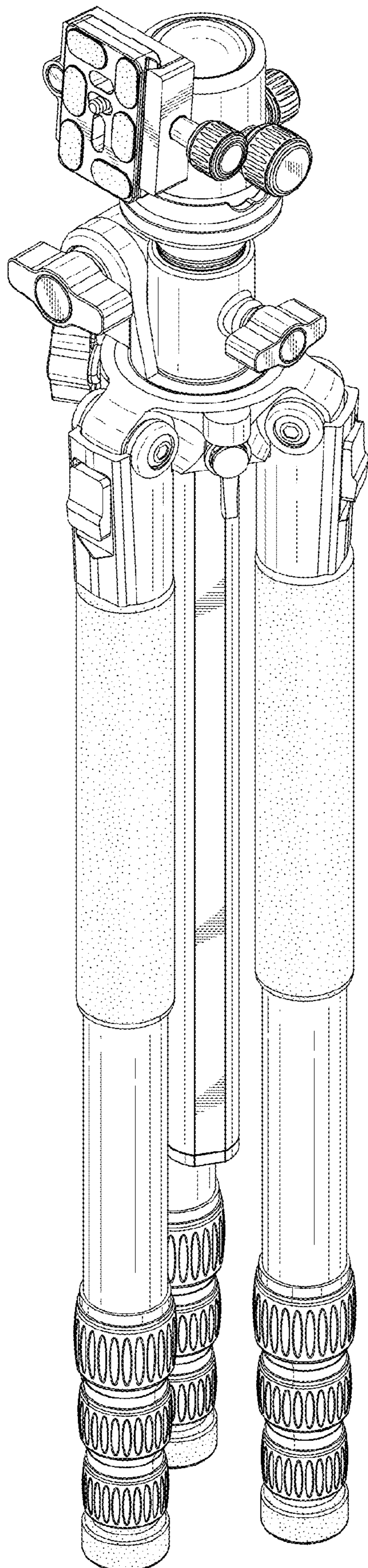


FIG. 8

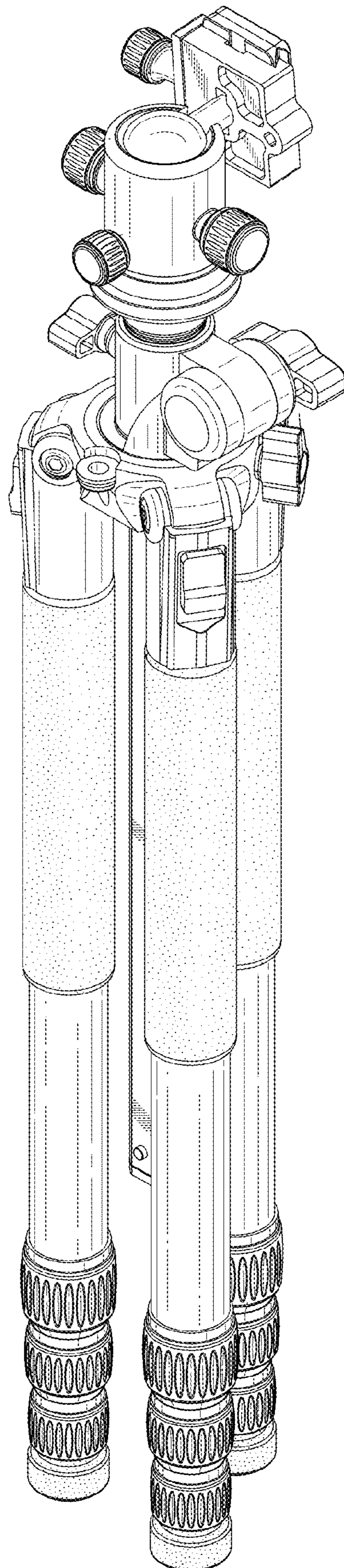


FIG. 9

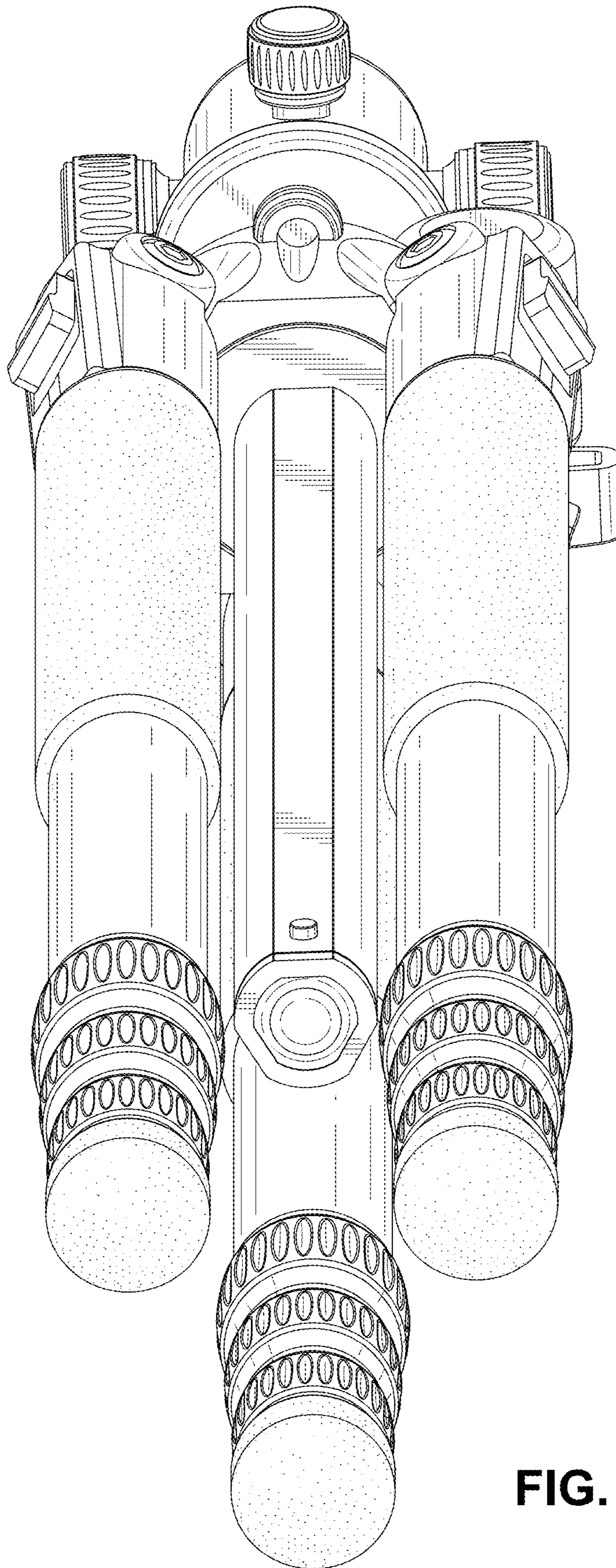


FIG. 10

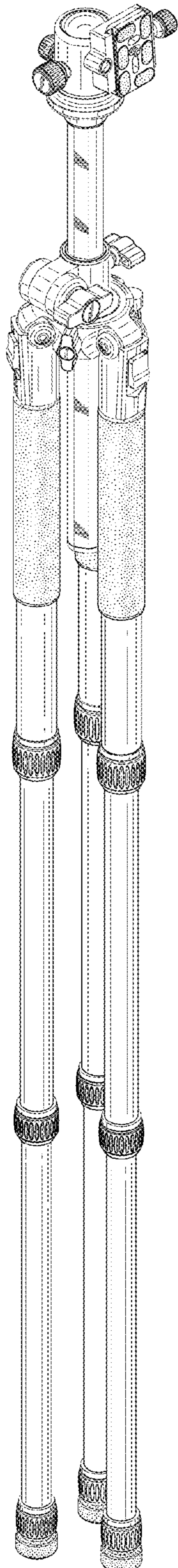


FIG. 11

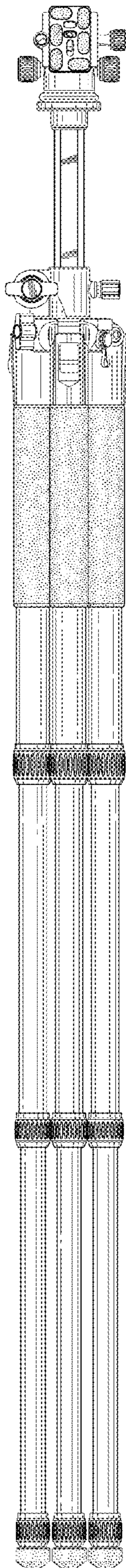


FIG. 12

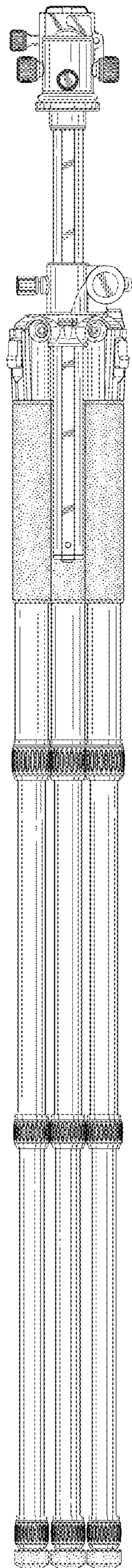


FIG. 13

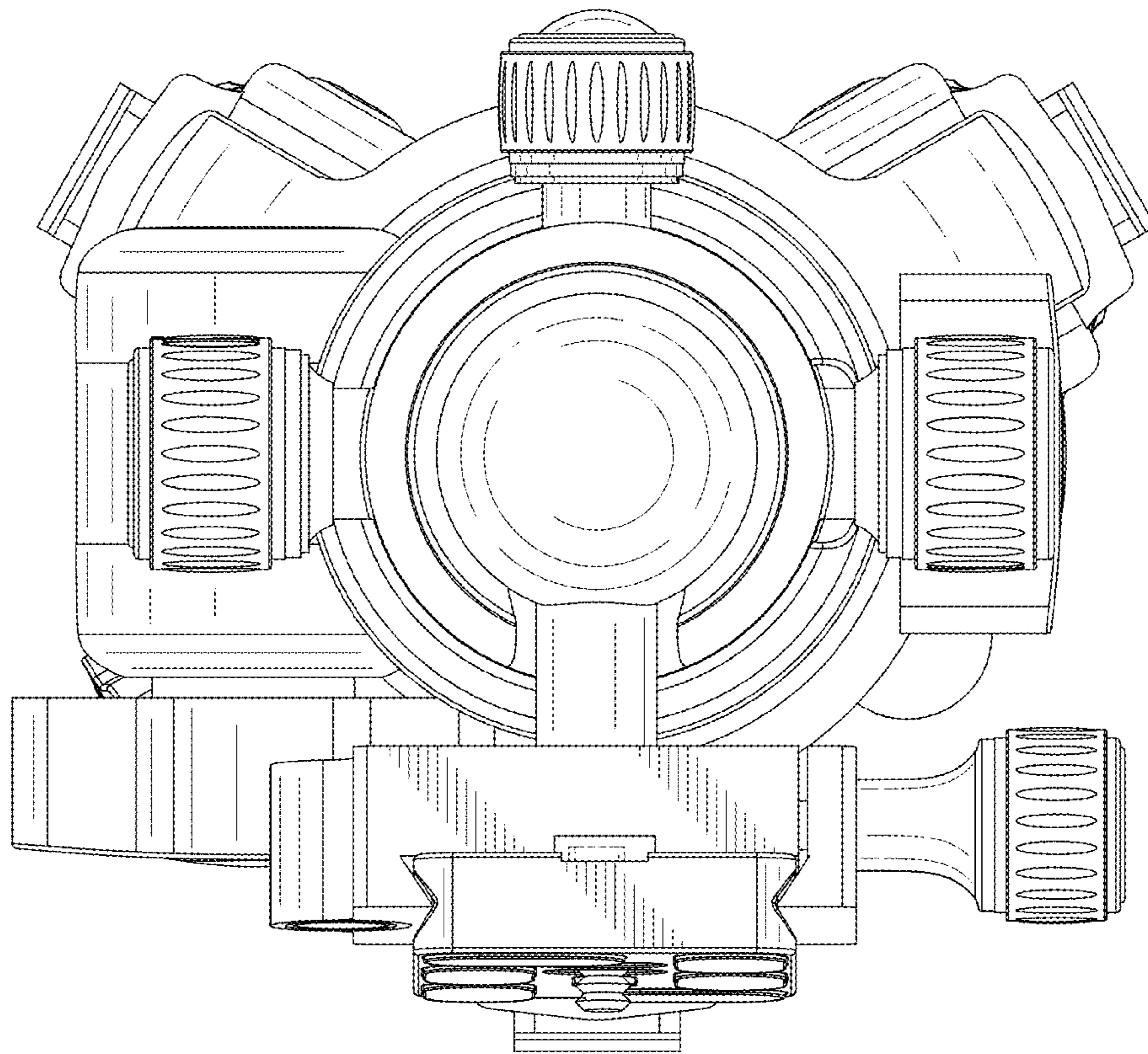


FIG. 14

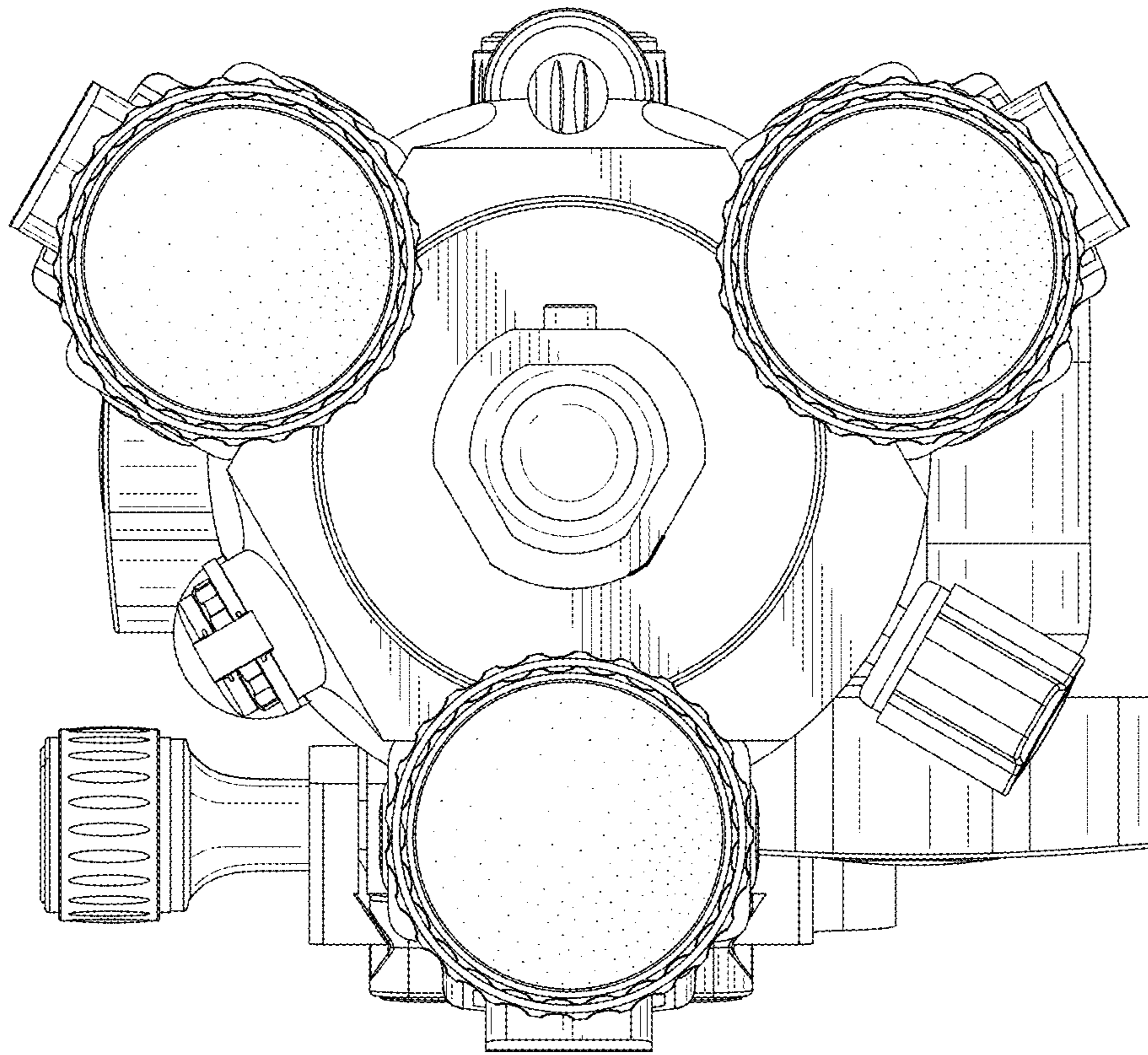


FIG. 15

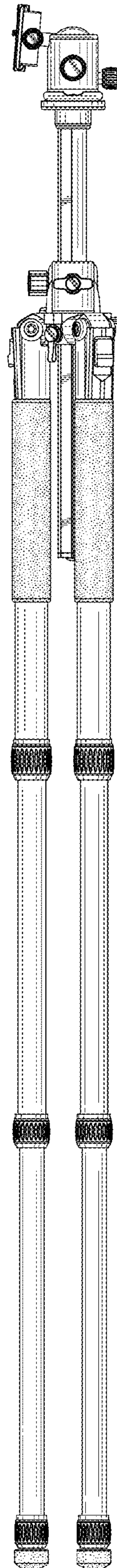


FIG. 16

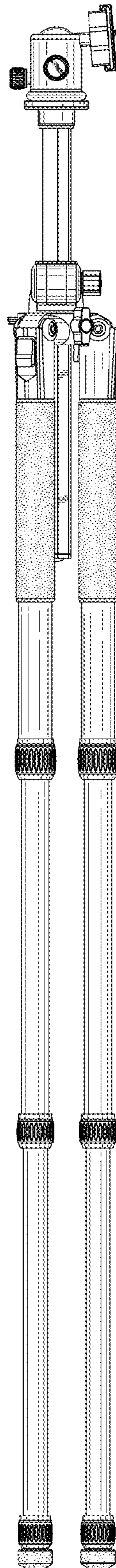


FIG. 17

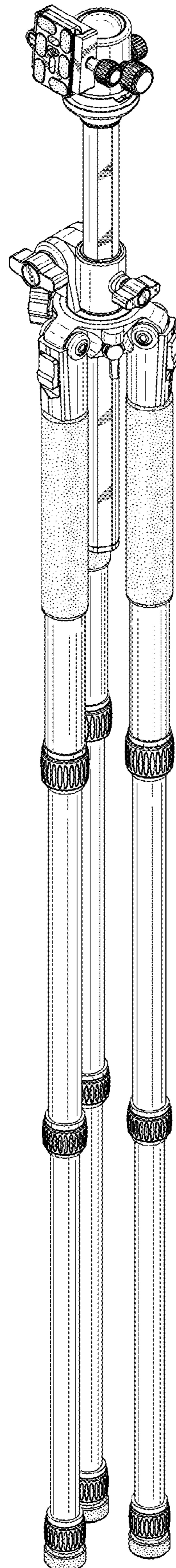


FIG. 18

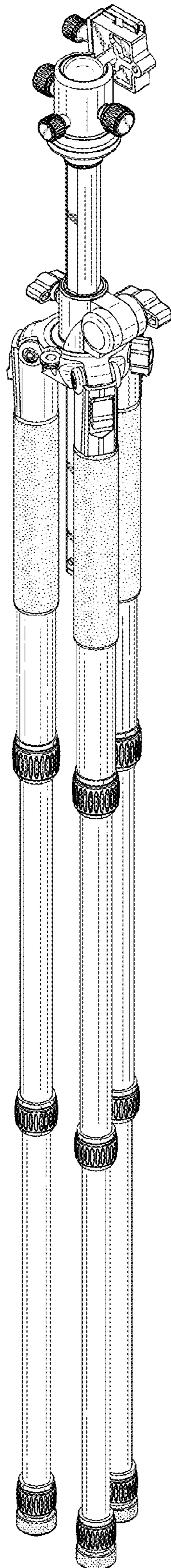


FIG. 19

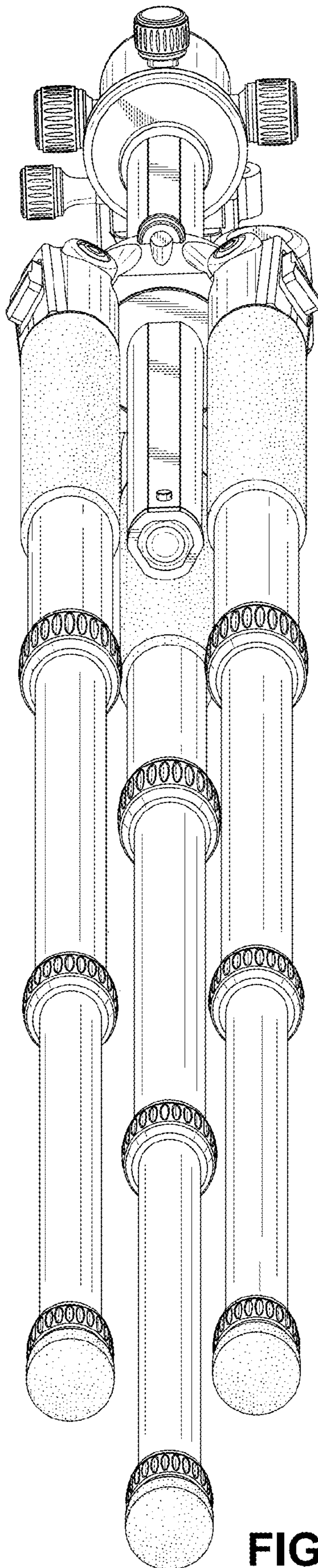


FIG. 20

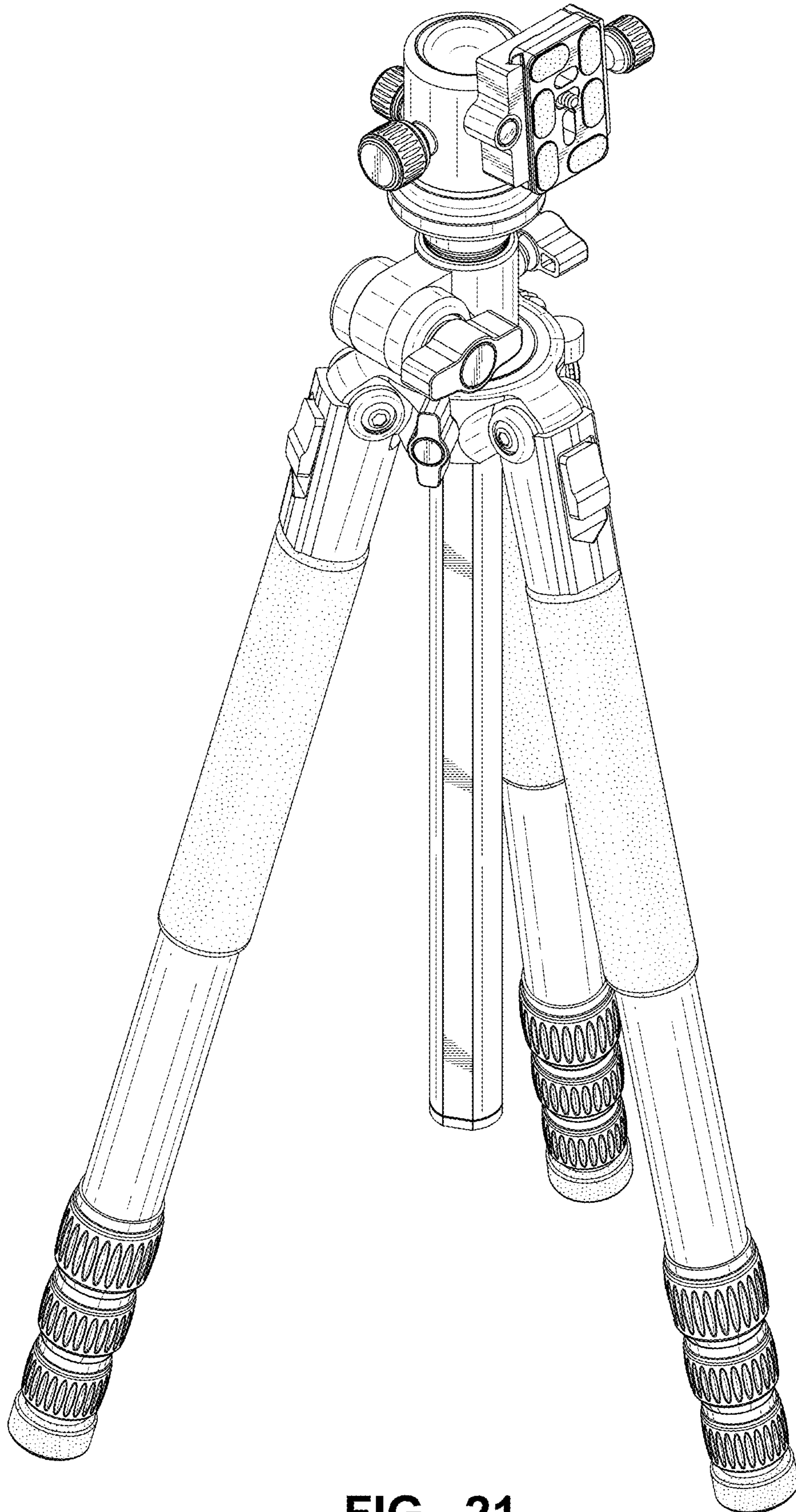


FIG. 21

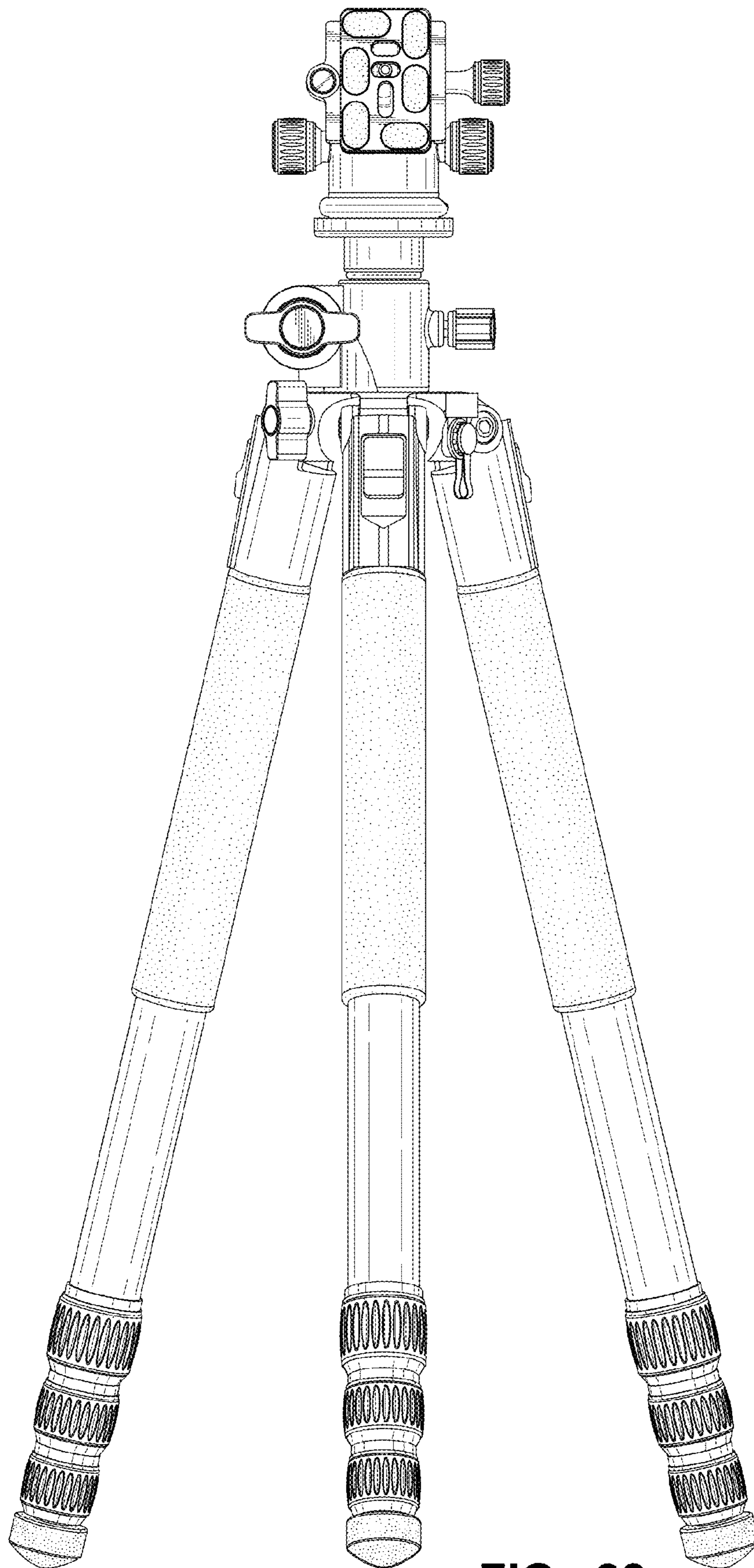


FIG. 22

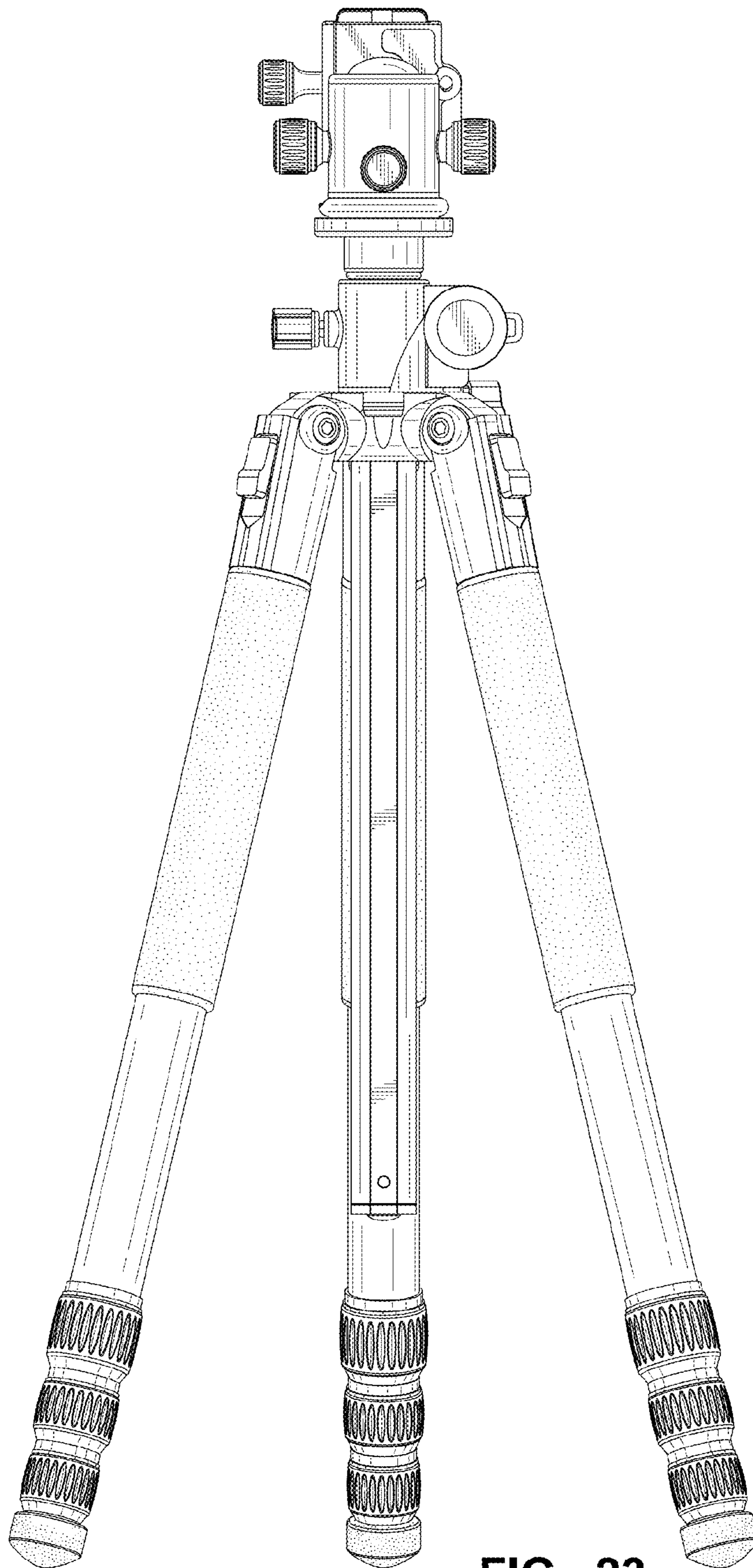


FIG. 23

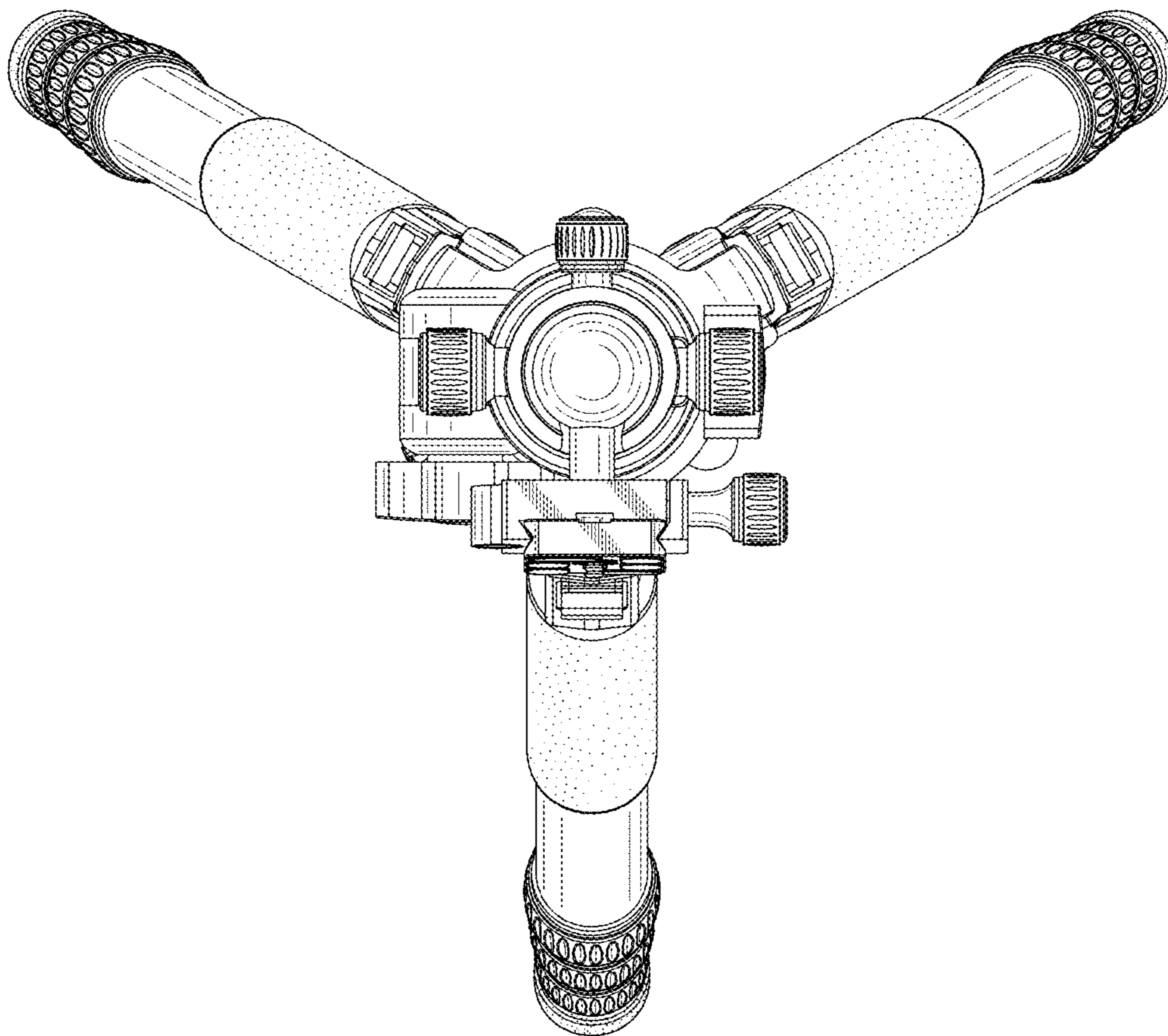


FIG. 24

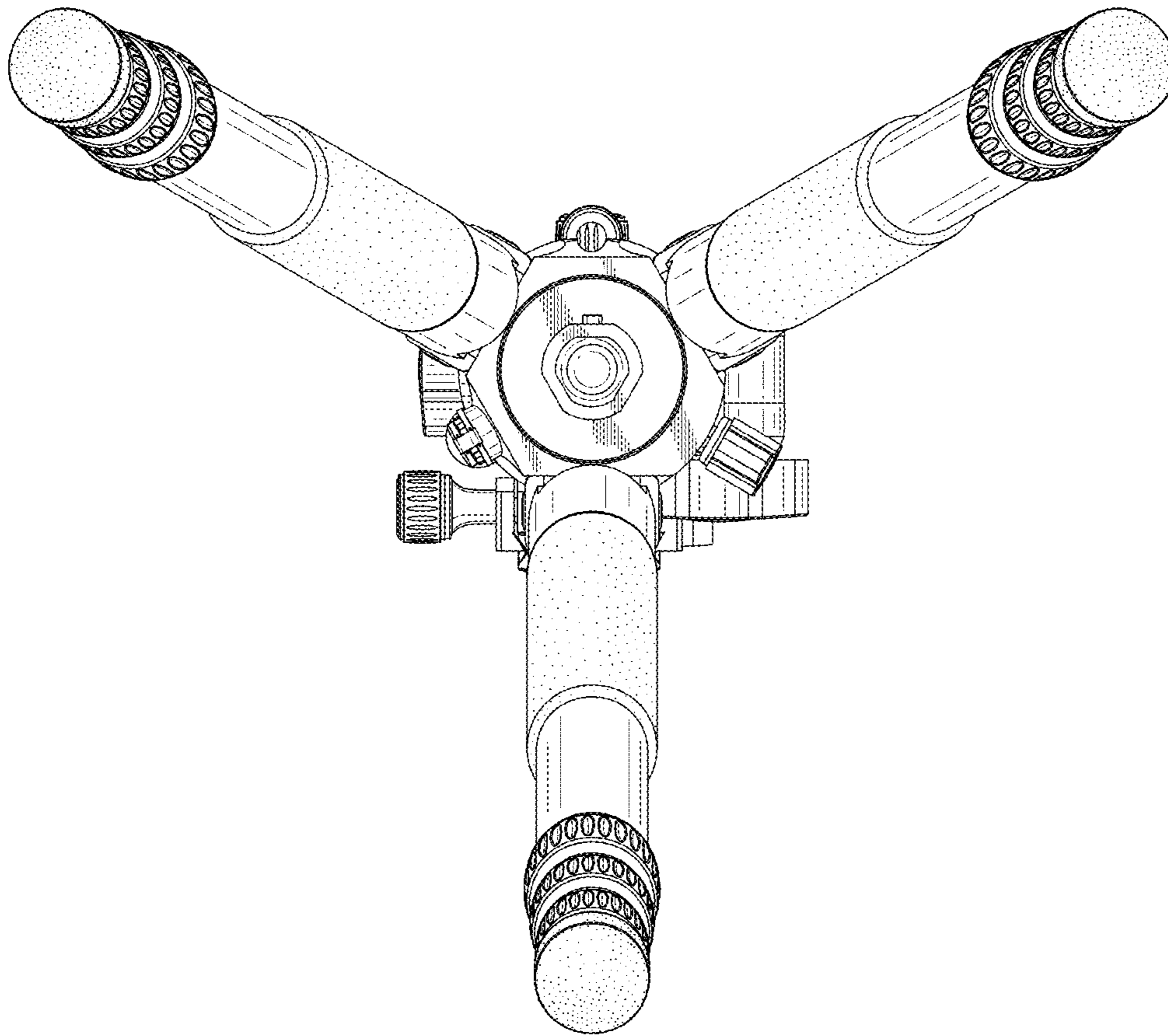


FIG. 25

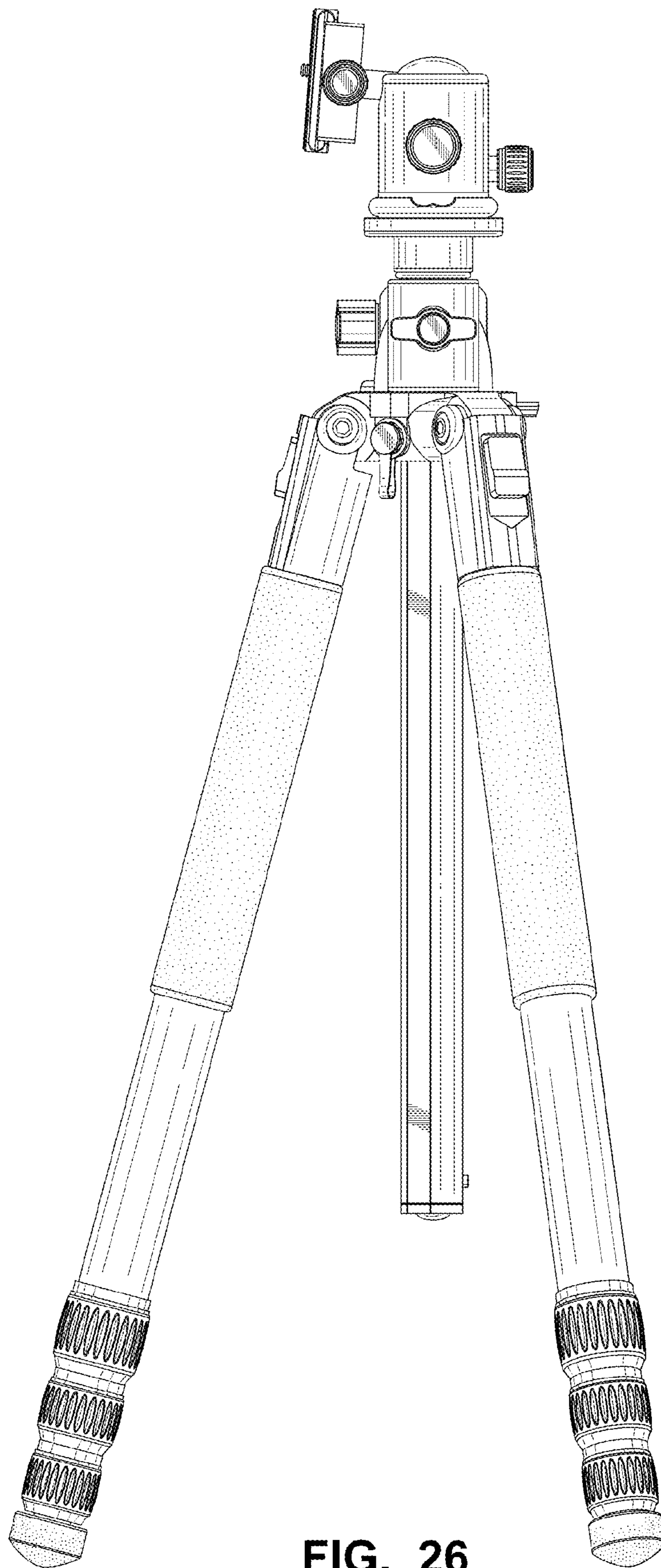


FIG. 26

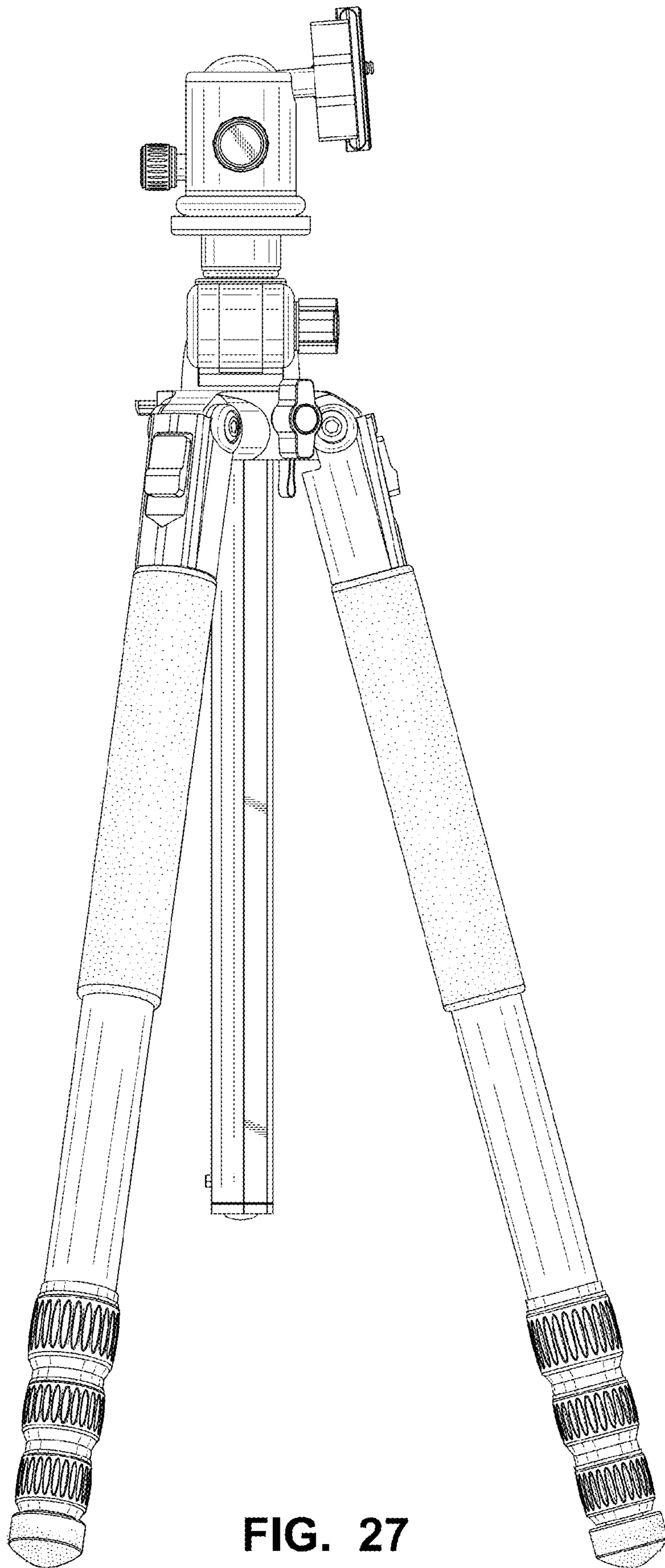


FIG. 27

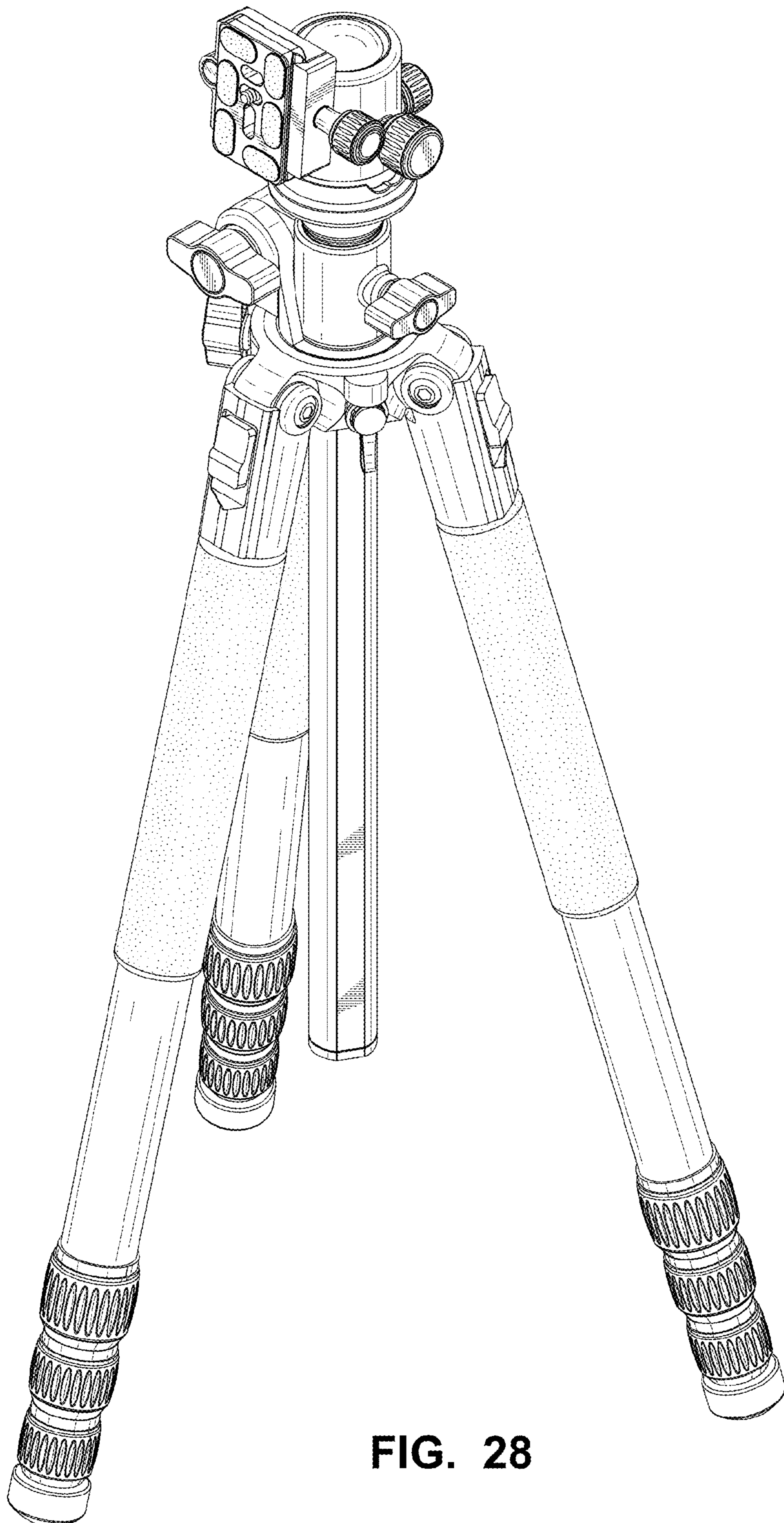


FIG. 28

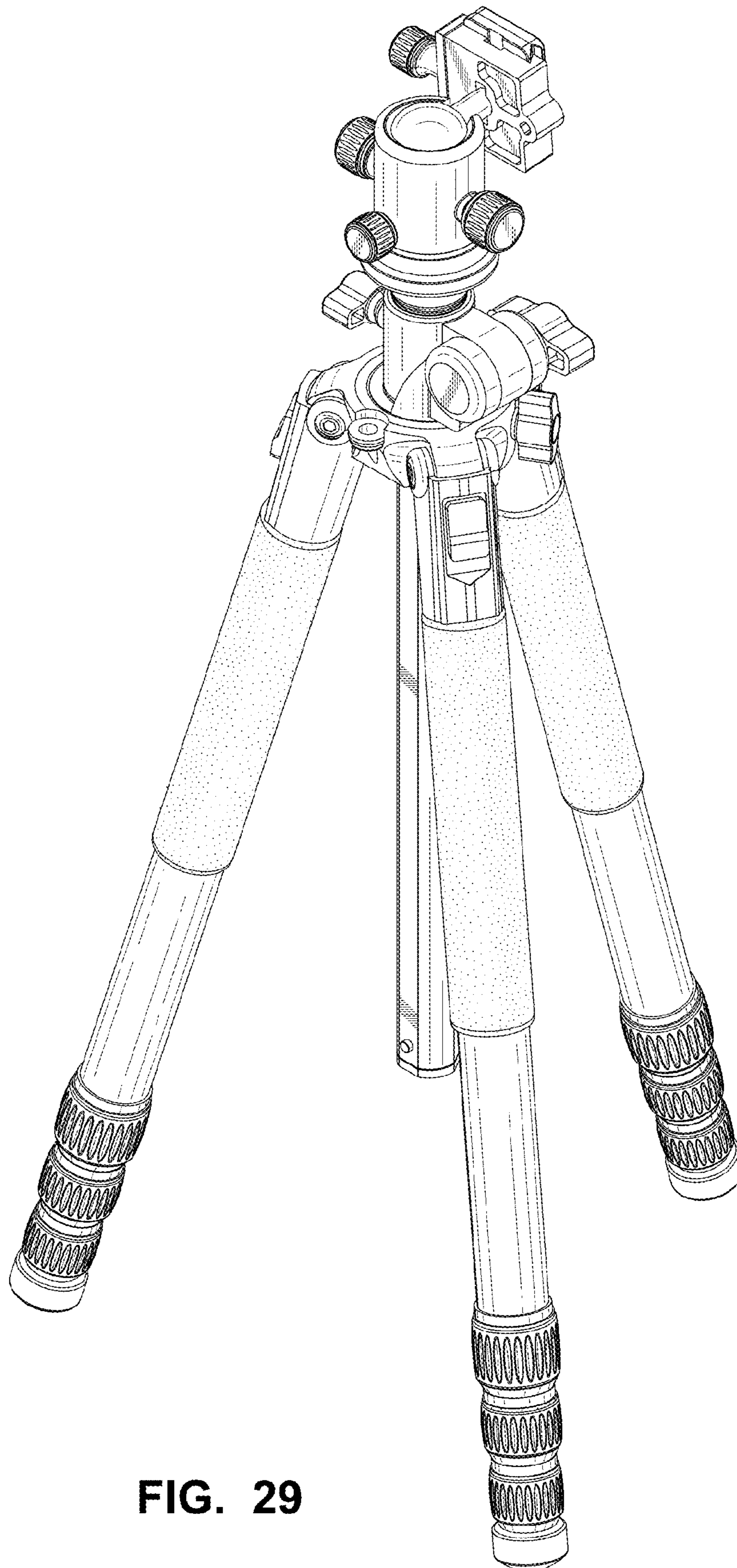


FIG. 29

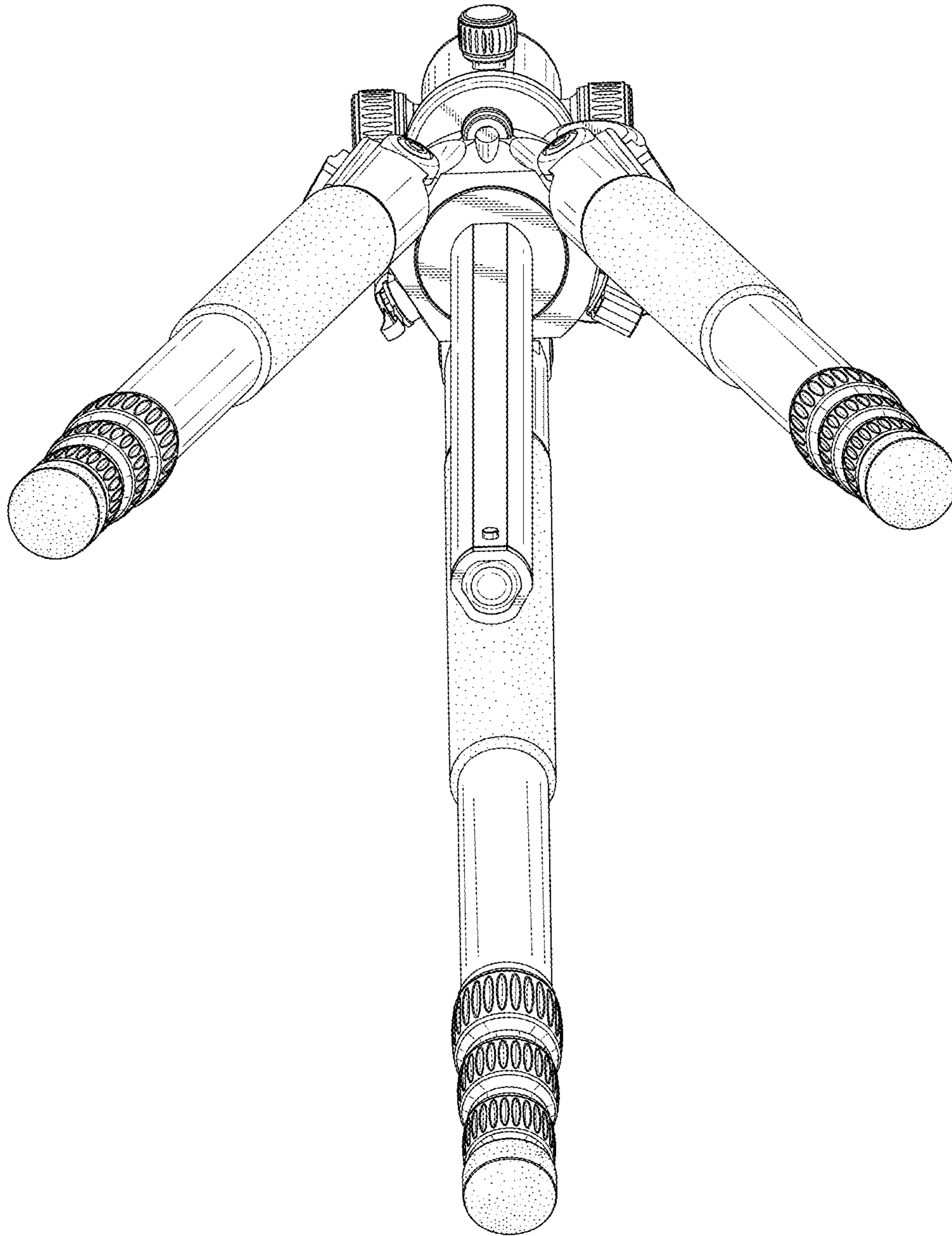


FIG. 30

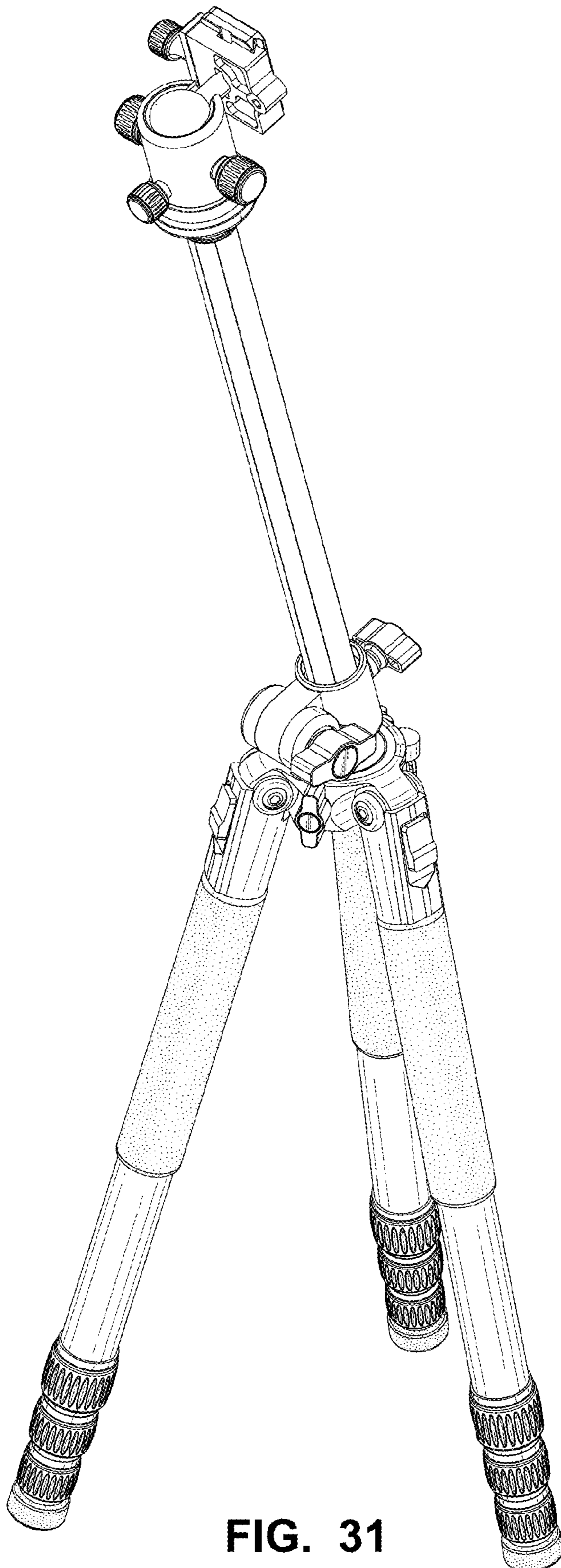


FIG. 31

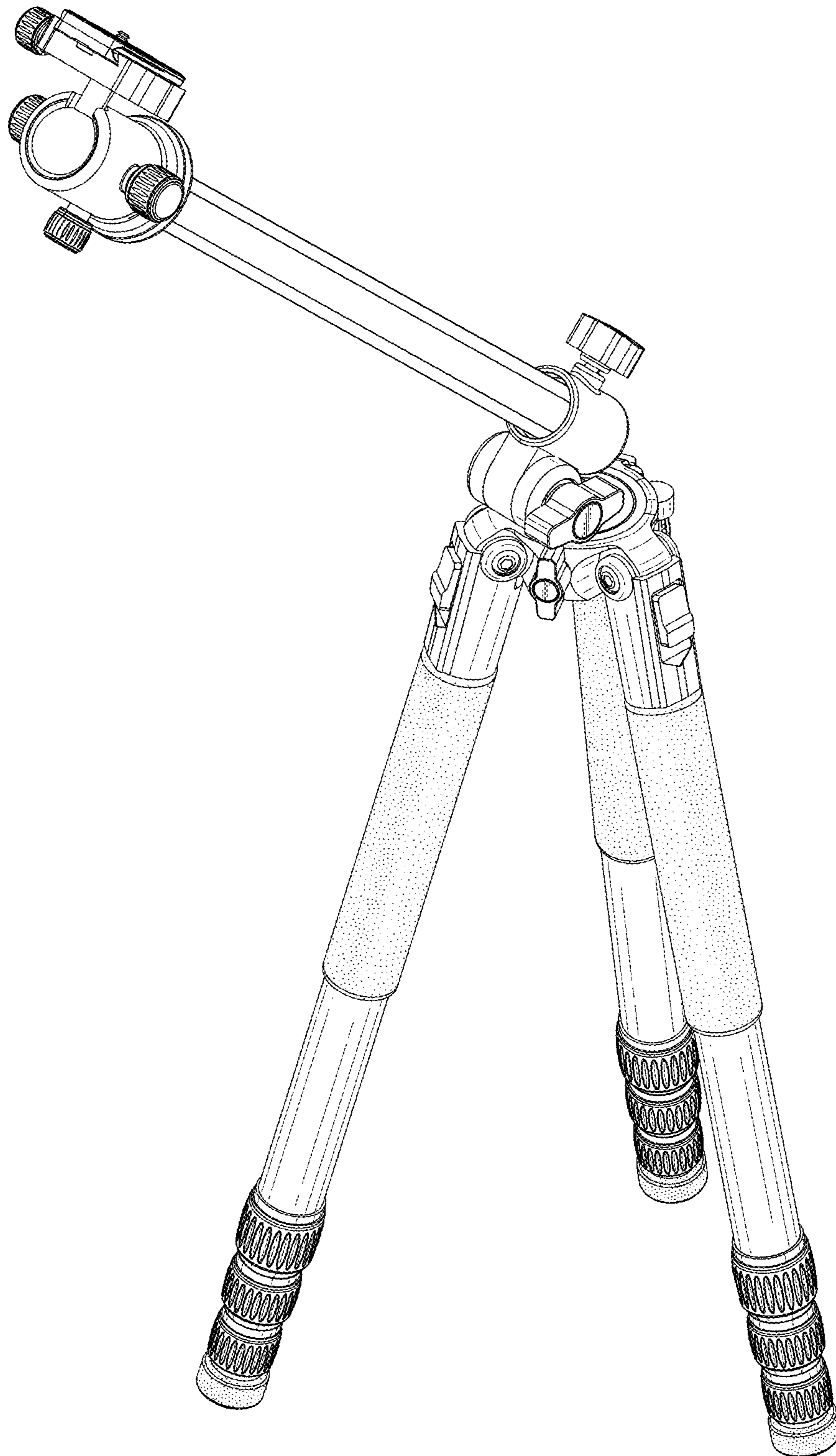


FIG. 32

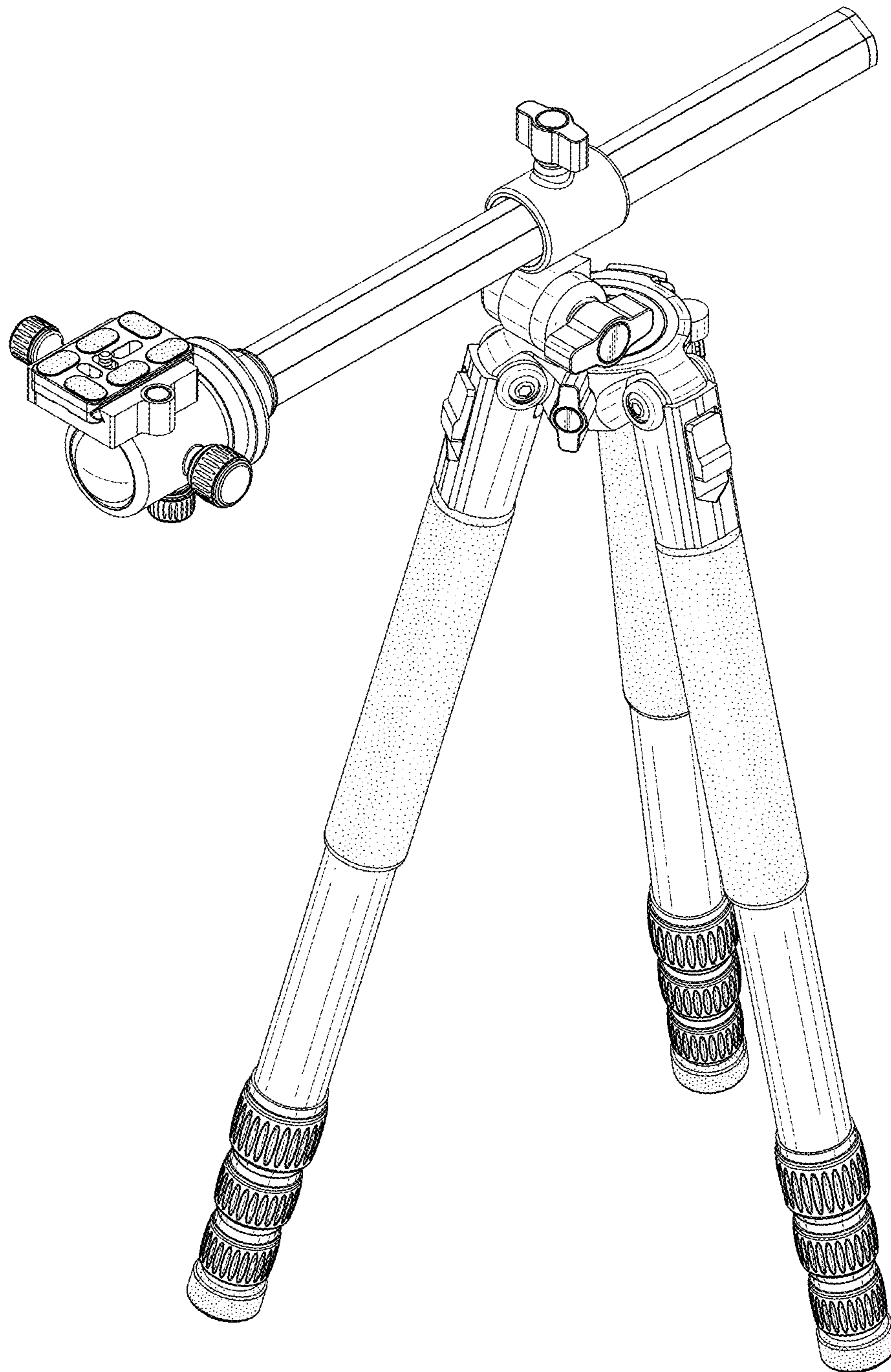


FIG. 33

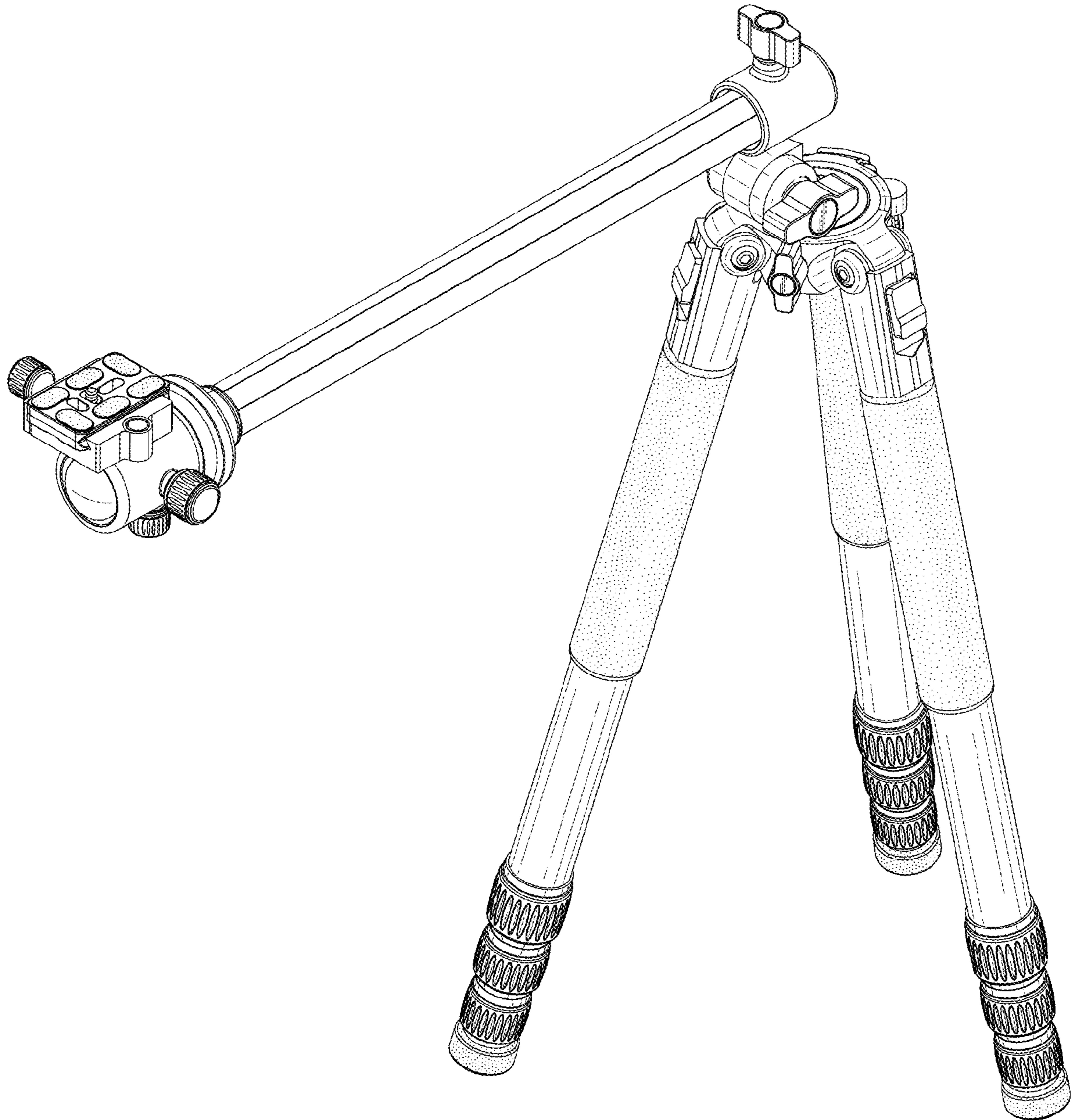


FIG. 34

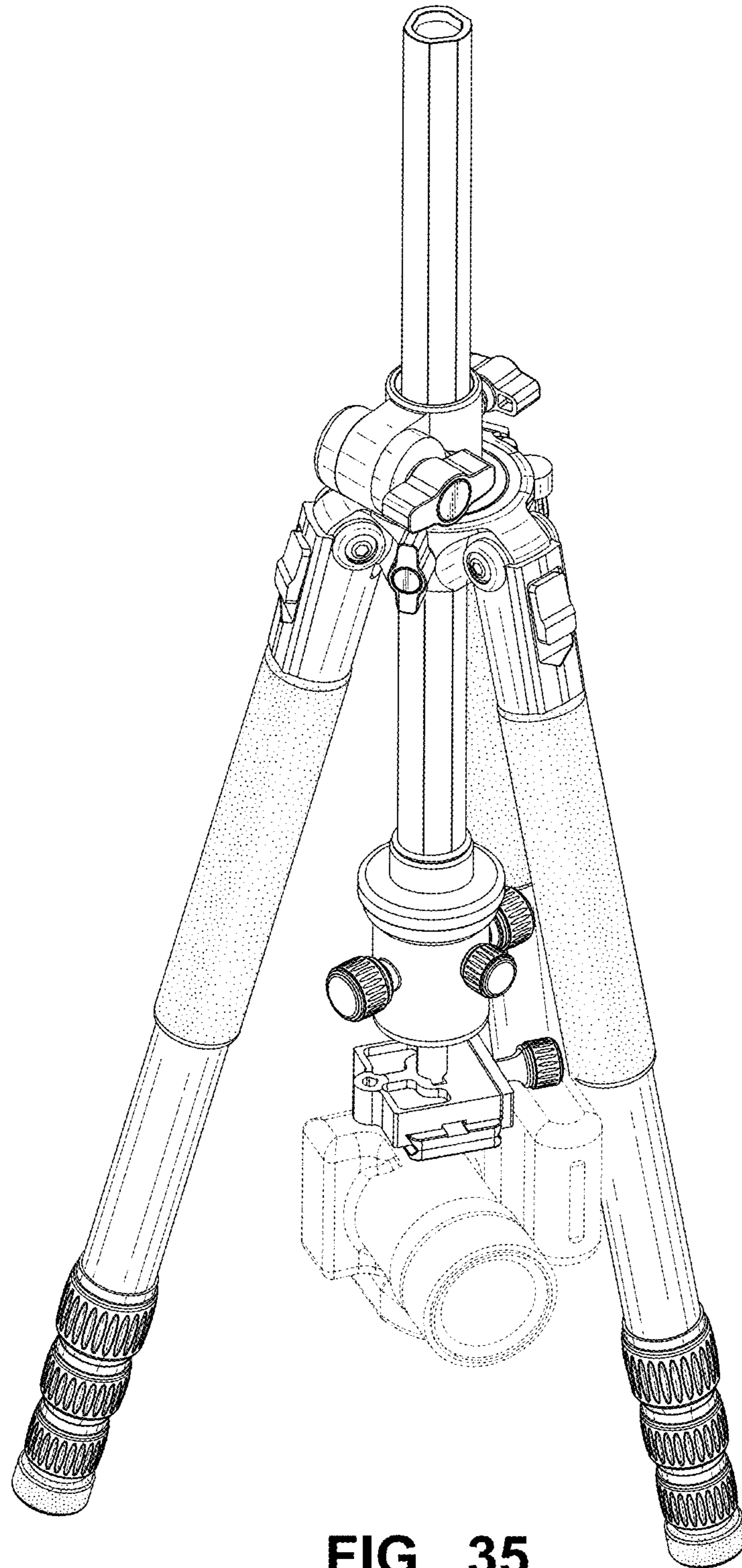


FIG. 35



FIG. 36