



US00D975170S

(12) **United States Design Patent**  
**Chen**

(10) **Patent No.:** **US D975,170 S**

(45) **Date of Patent:** **\*\* Jan. 10, 2023**

(54) **TRIPOD**

(71) Applicant: **YUEQING ORIGINALITY  
PHOTOGRAPHY EQUIPMENT  
CO., LTD., Yueqing (CN)**

(72) Inventor: **Qingyuan Chen, Yueqing (CN)**

(73) Assignee: **YUEQING ORIGINALITY  
PHOTOGRAPHY EQUIPMENT  
CO., LTD., Yueqing (CN)**

(\*\*) Term: **15 Years**

(21) Appl. No.: **29/834,969**

(22) Filed: **Apr. 15, 2022**

(51) **LOC (14) Cl.** ..... **16-05**

(52) **U.S. Cl.**  
USPC ..... **D16/244**

(58) **Field of Classification Search**  
USPC ..... D16/202, 208–209, 219, 237–245  
CPC ..... G03B 17/02; G03B 17/56; G03B 17/04;  
G03B 17/561–566; G03B 15/03; H04N  
5/2251; H04N 5/2252; H04N 5/2253;  
H04N 5/2254; G02B 7/02; G02B 7/04;  
G02B 7/14

See application file for complete search history.

(56) **References Cited**

**U.S. PATENT DOCUMENTS**

D864,282 S	*	10/2019	Liu	.....	D16/244
D888,814 S	*	6/2020	Chen	.....	D16/244
D895,716 S	*	9/2020	Chen	.....	D16/244
D901,578 S	*	11/2020	Wang	.....	D16/244
D916,172 S	*	4/2021	Zeng	.....	D16/244
D920,421 S		5/2021	Li		

D922,471 S		6/2021	Li et al.		
D942,529 S	*	2/2022	Lin	.....	D16/244
D943,020 S	*	2/2022	Lin	.....	D16/244
D947,930 S	*	4/2022	Chen	.....	D16/244
D956,128 S	*	6/2022	Lin	.....	D16/244
D957,510 S	*	7/2022	Lin	.....	D16/244
D959,539 S	*	8/2022	Lin	.....	D16/244
D962,328 S	*	8/2022	Zhong	.....	D16/244

\* cited by examiner

*Primary Examiner* — Ramzi Almatrahi

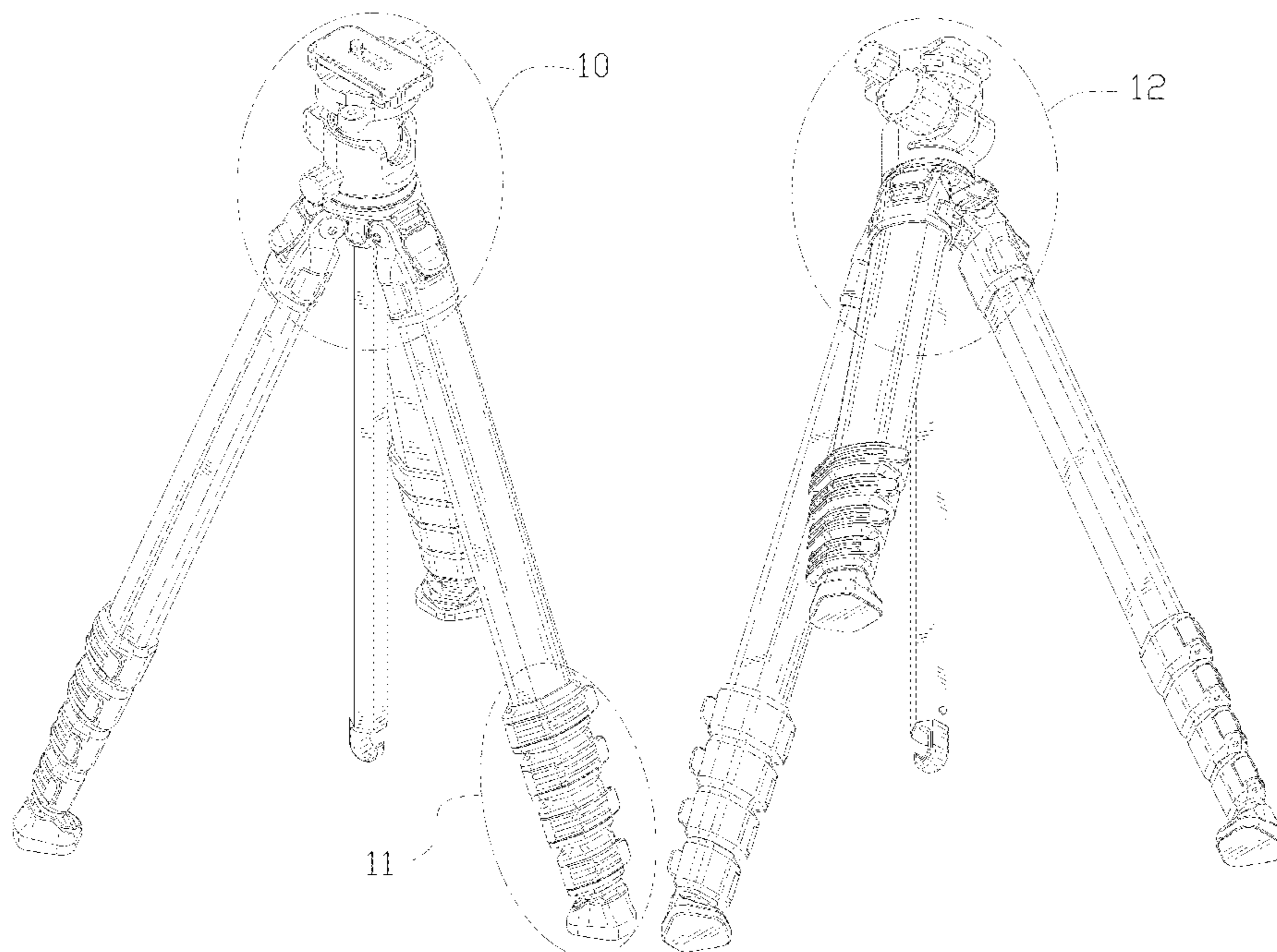
(57) **CLAIM**

The ornamental design for a tripod, as shown and described.

**DESCRIPTION**

FIG. 1 is a top, front and left side perspective view of a tripod showing my new design;  
 FIG. 2 is a bottom, rear and right side perspective view thereof;  
 FIG. 3 is a front elevational view thereof;  
 FIG. 4 is a rear elevational view thereof;  
 FIG. 5 is a left side elevational view thereof;  
 FIG. 6 is a right side elevational view thereof;  
 FIG. 7 is a top plan view thereof;  
 FIG. 8 is a bottom plan view thereof;  
 FIG. 9 is a top, front and left side perspective view thereof, shown with the tripod in a folded configuration;  
 FIG. 10 is an enlarged view of portion 10 shown in FIG. 1;  
 FIG. 11 is an enlarged view of portion 11 shown in FIG. 1;  
 and,  
 FIG. 12 is an enlarged view of portion 12 shown in FIG. 2.  
 The dash-dash broken lines in the drawings depict portions of the tripod that form no part of the claimed design. The dot-dash broken lines represent boundaries of the enlarged portions and form no part of the claimed design.

**1 Claim, 12 Drawing Sheets**



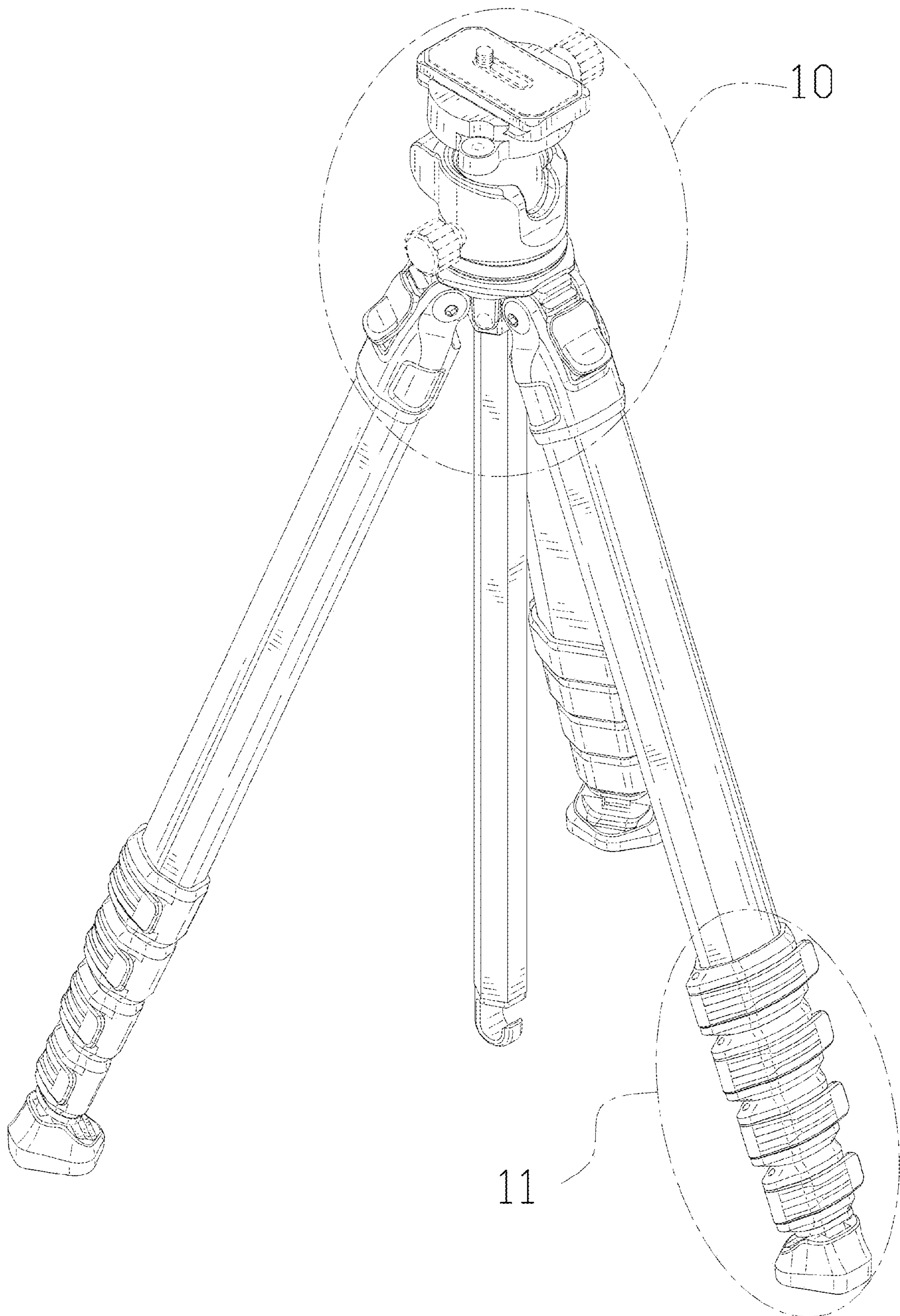


FIG. 1

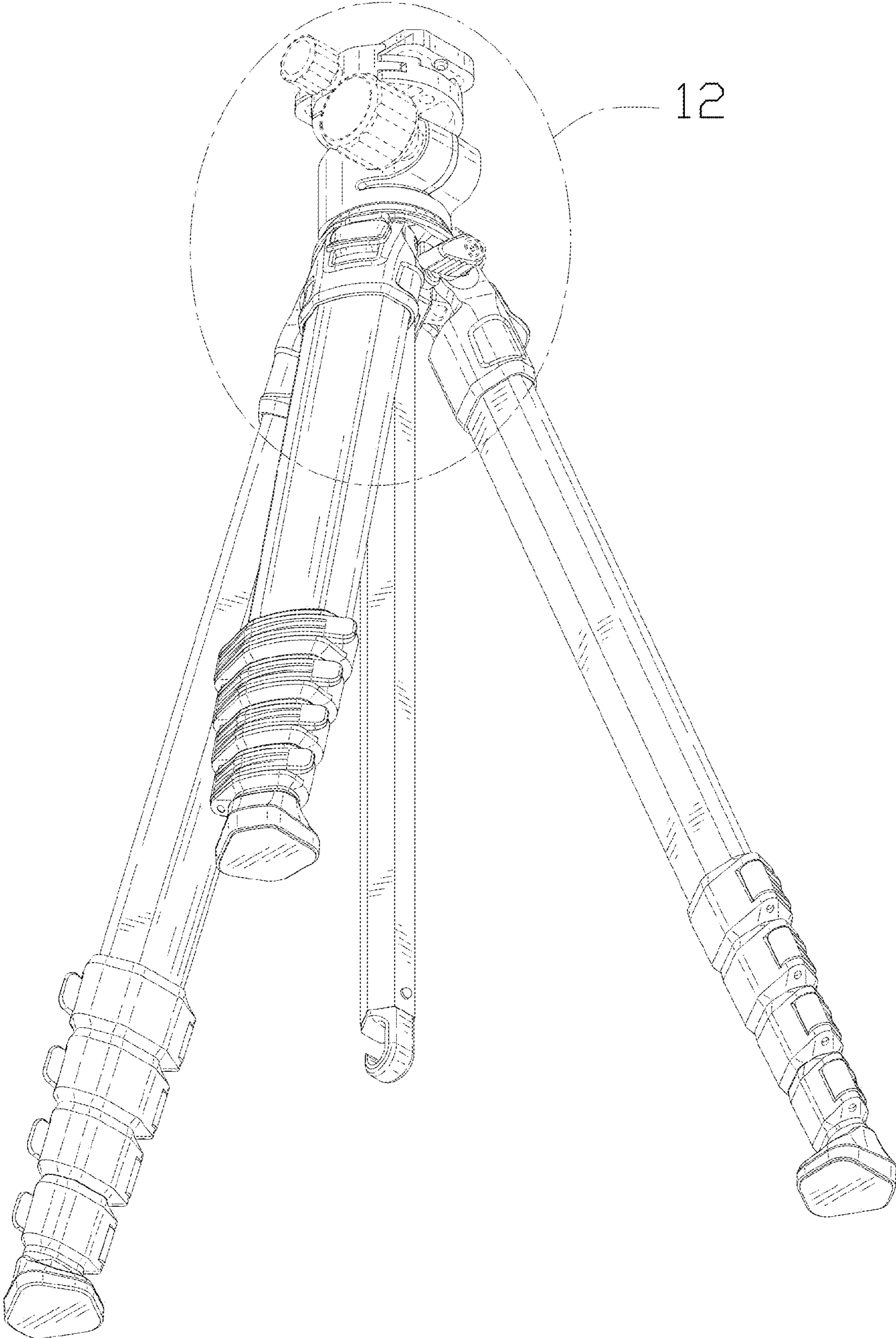


FIG. 2

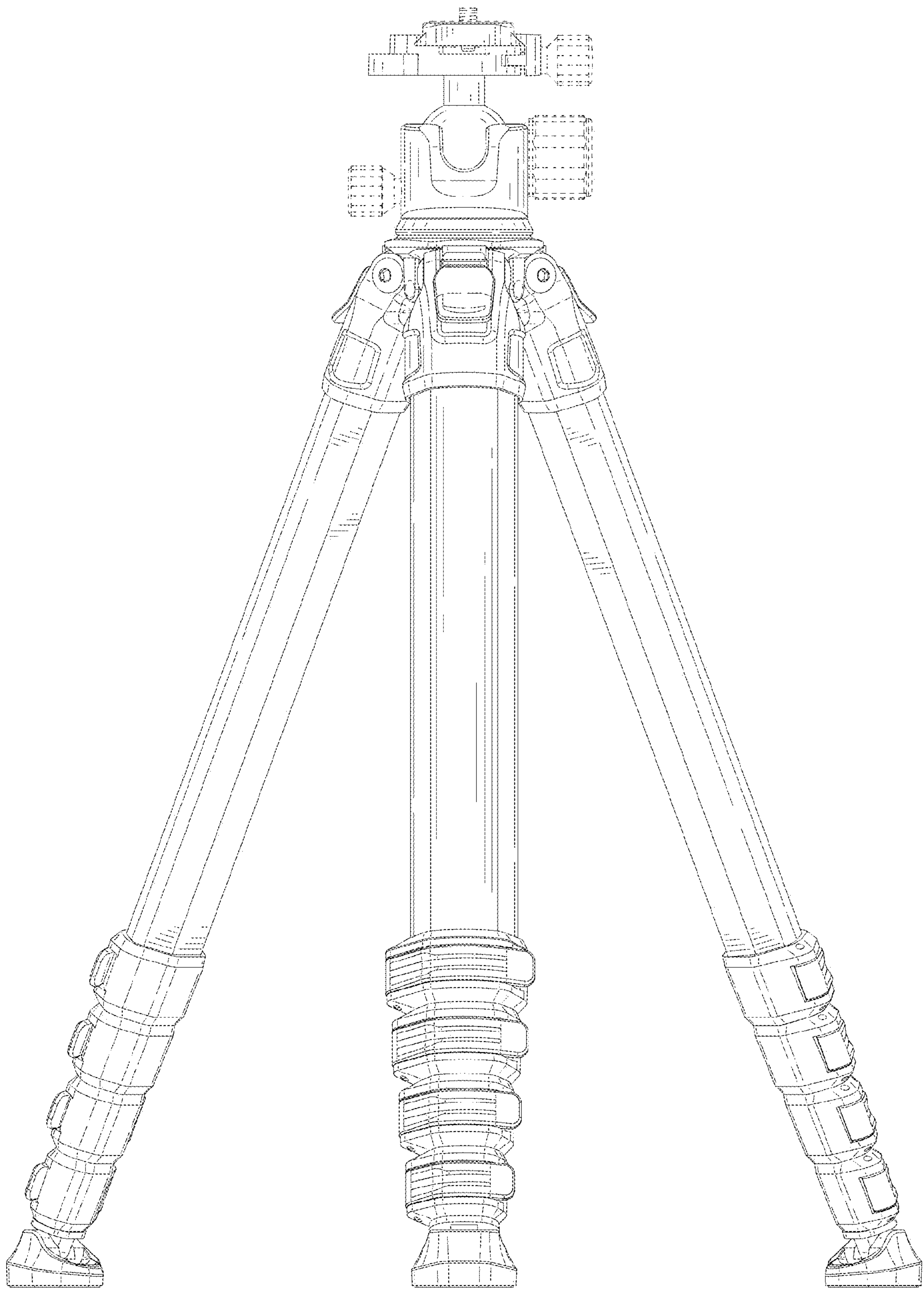


FIG. 3

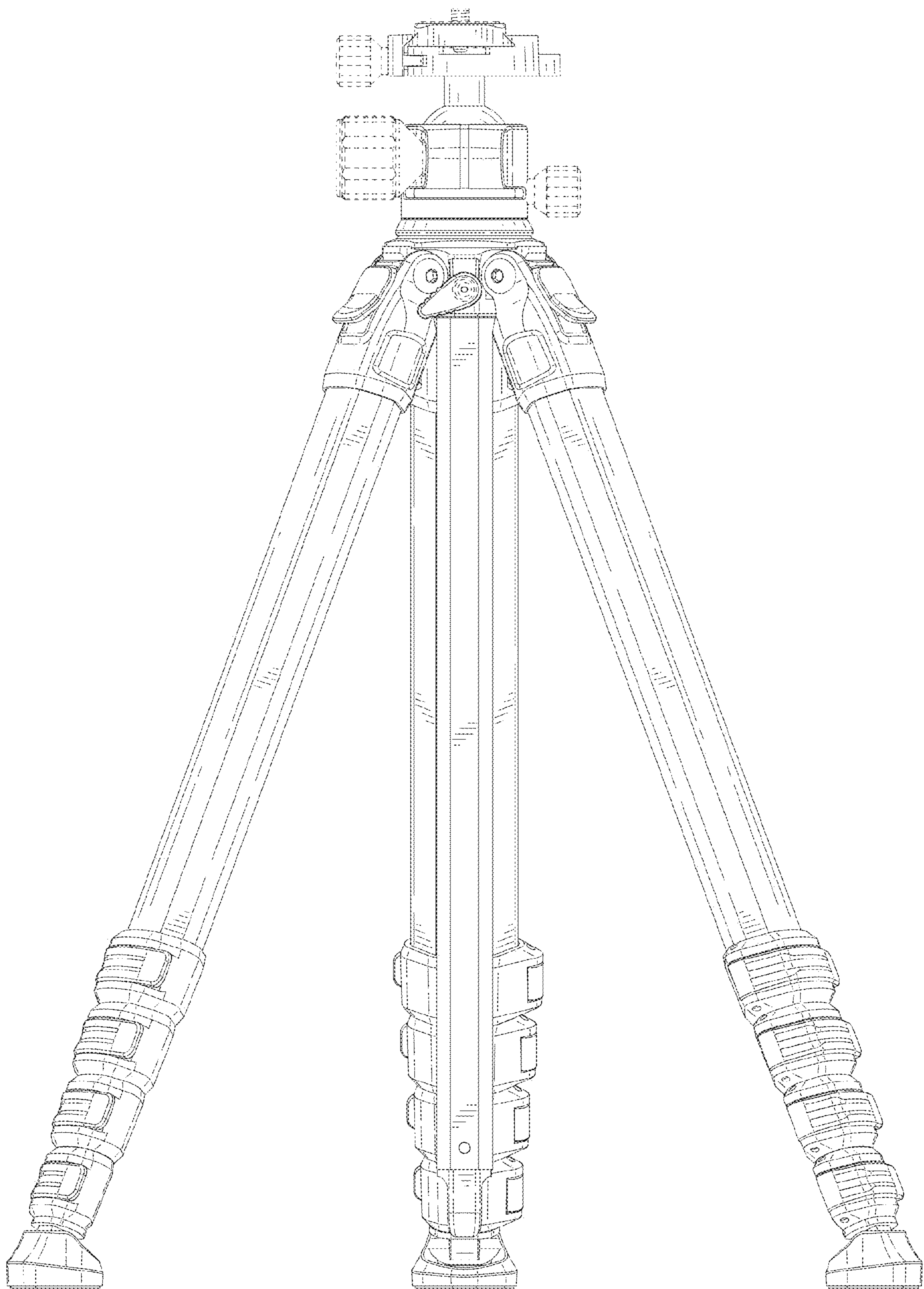


FIG. 4

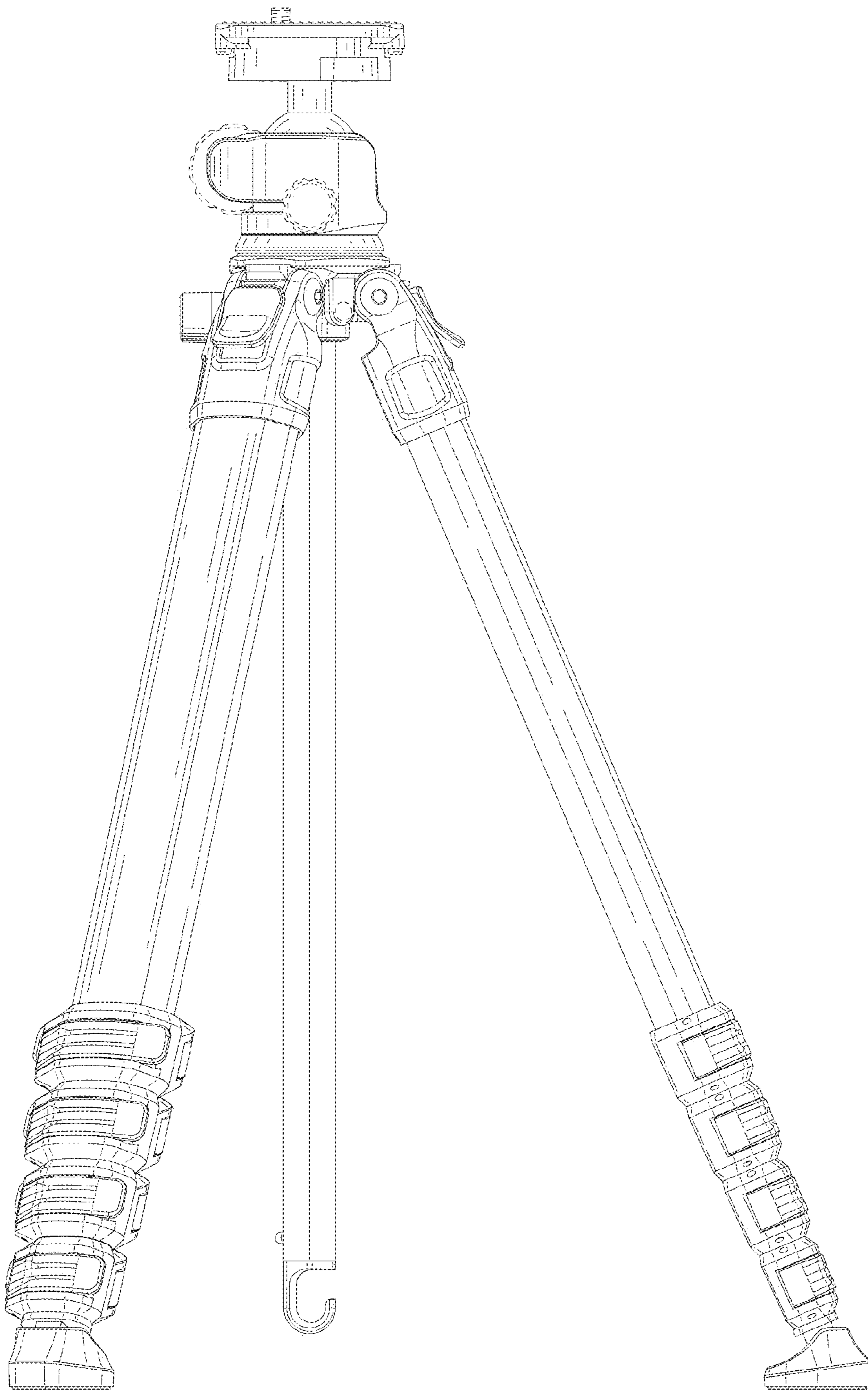


FIG. 5

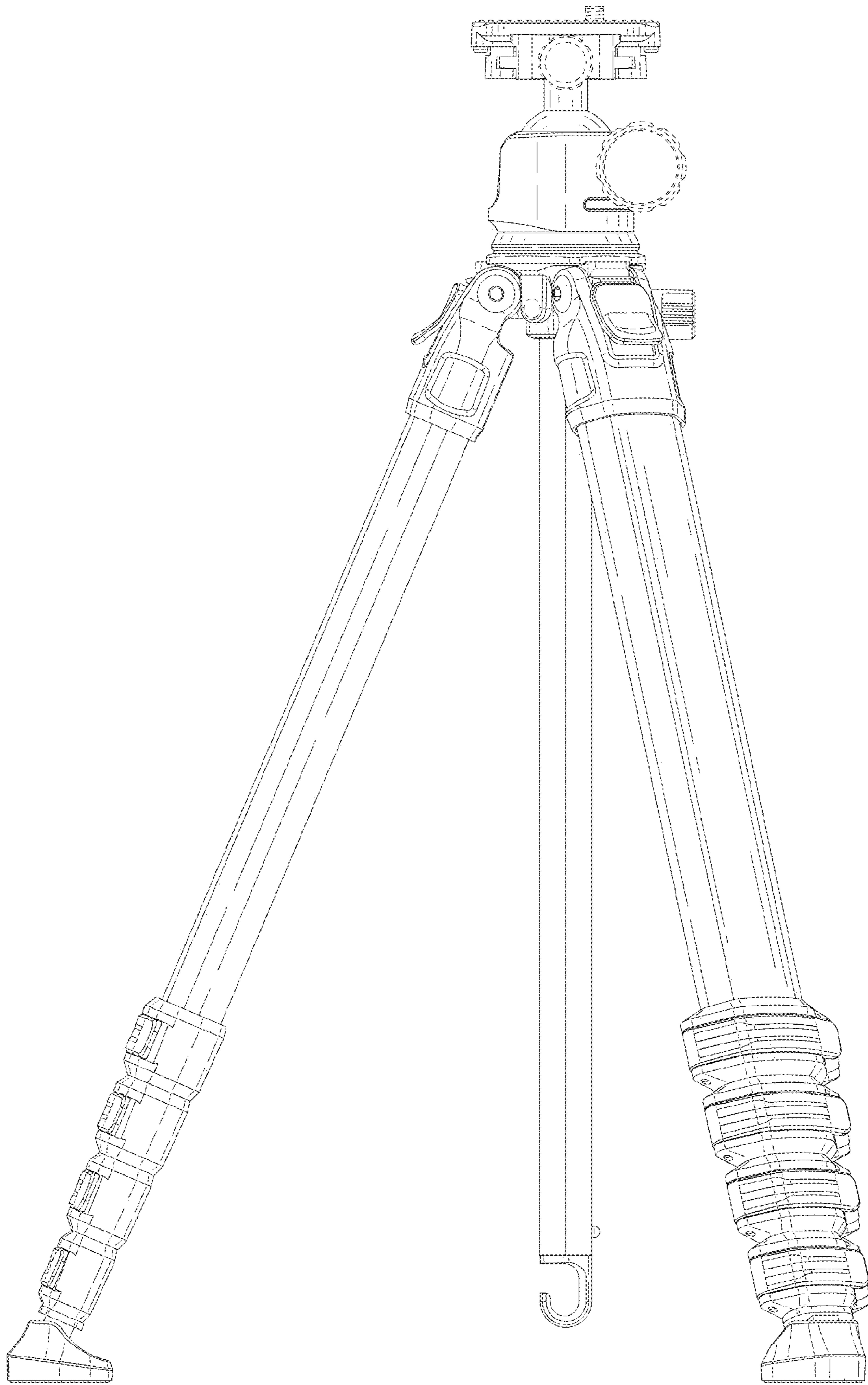


FIG. 6

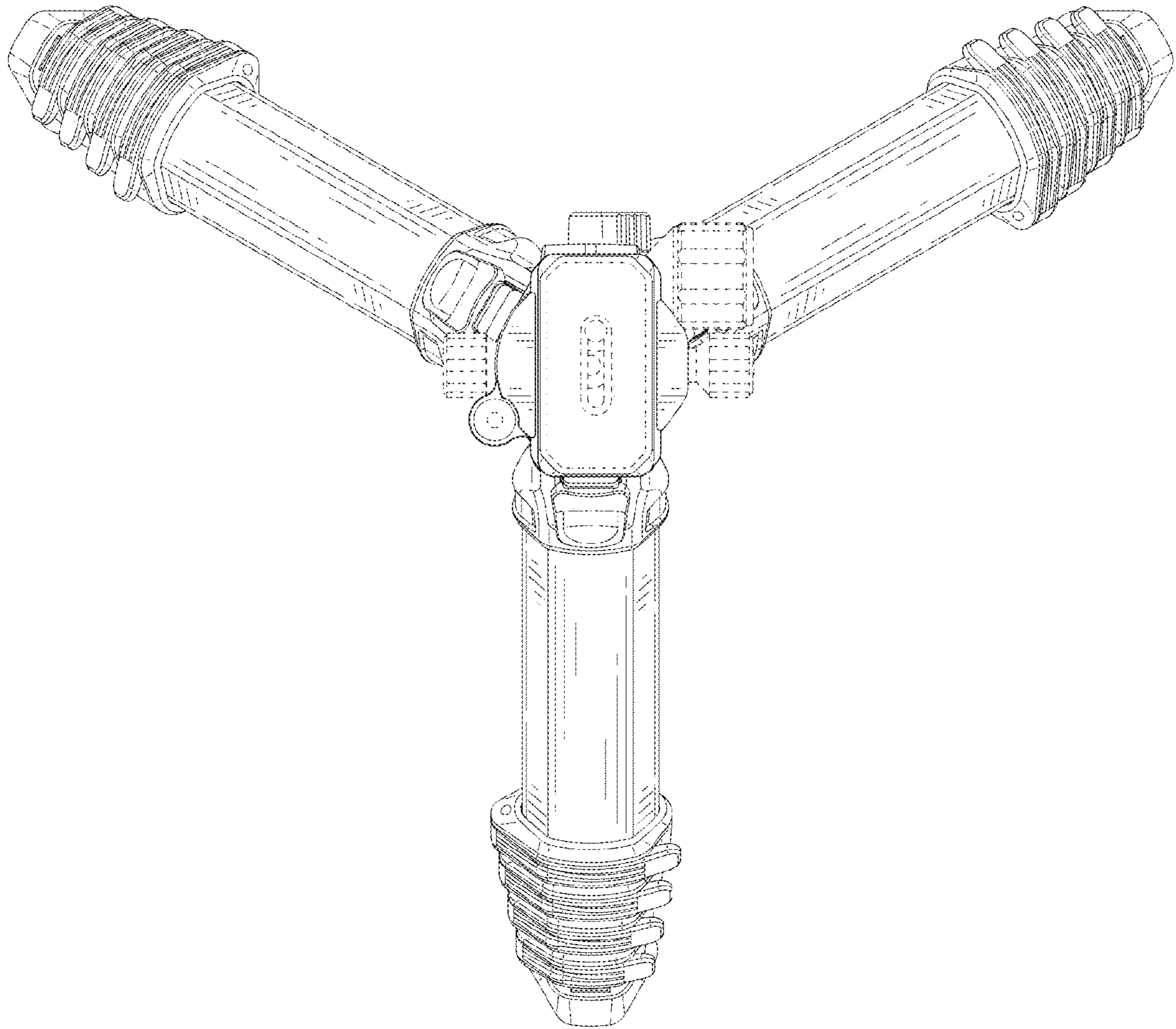


FIG. 7



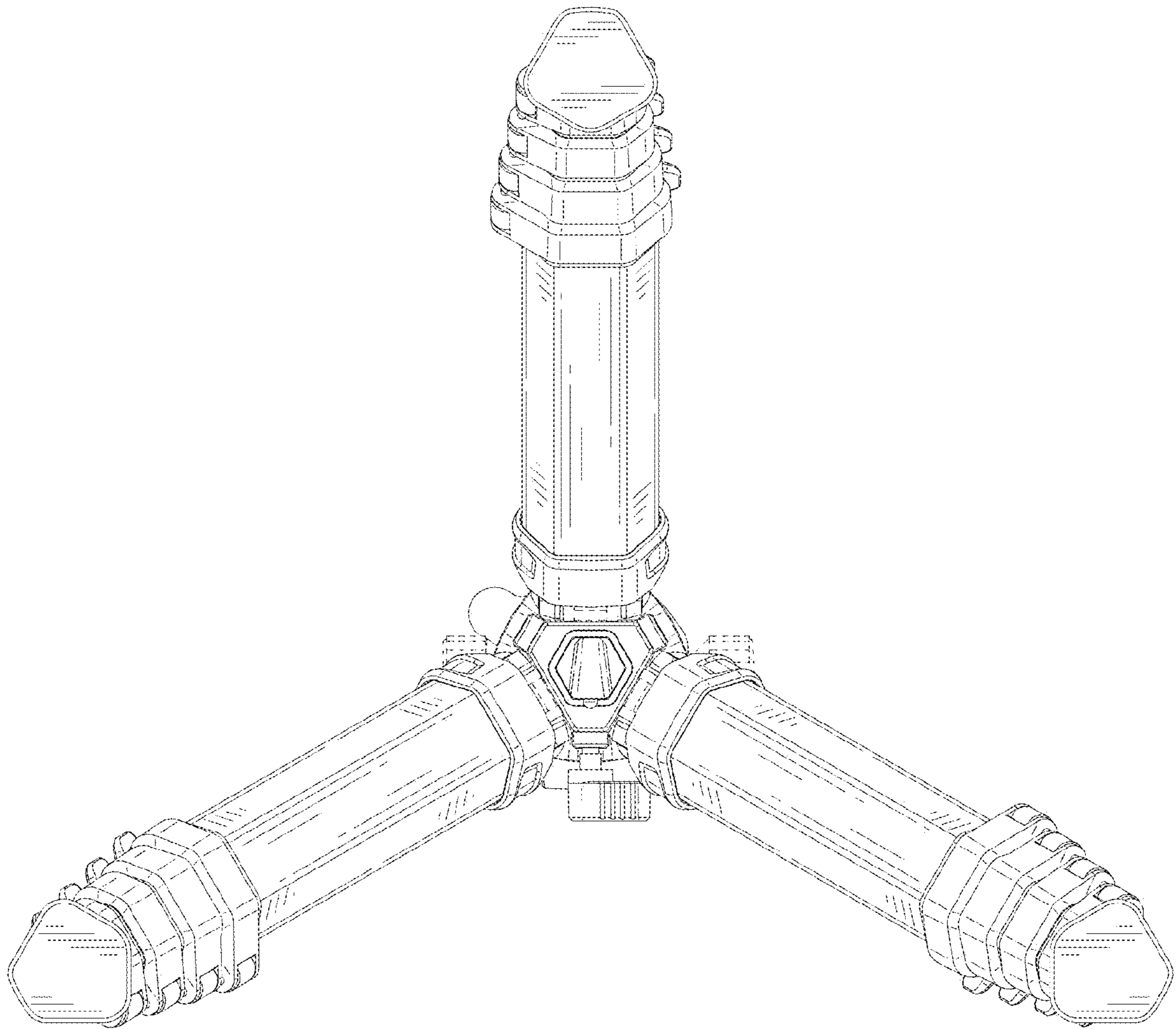


FIG. 8

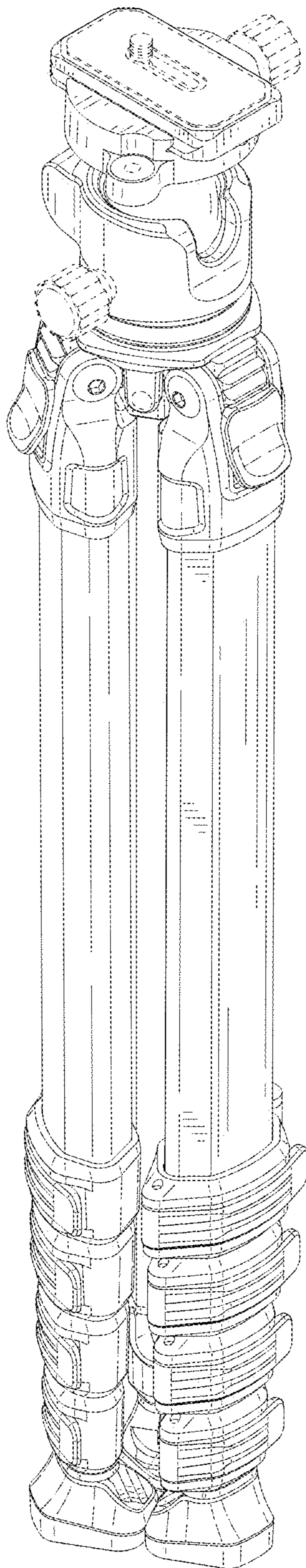


FIG. 9

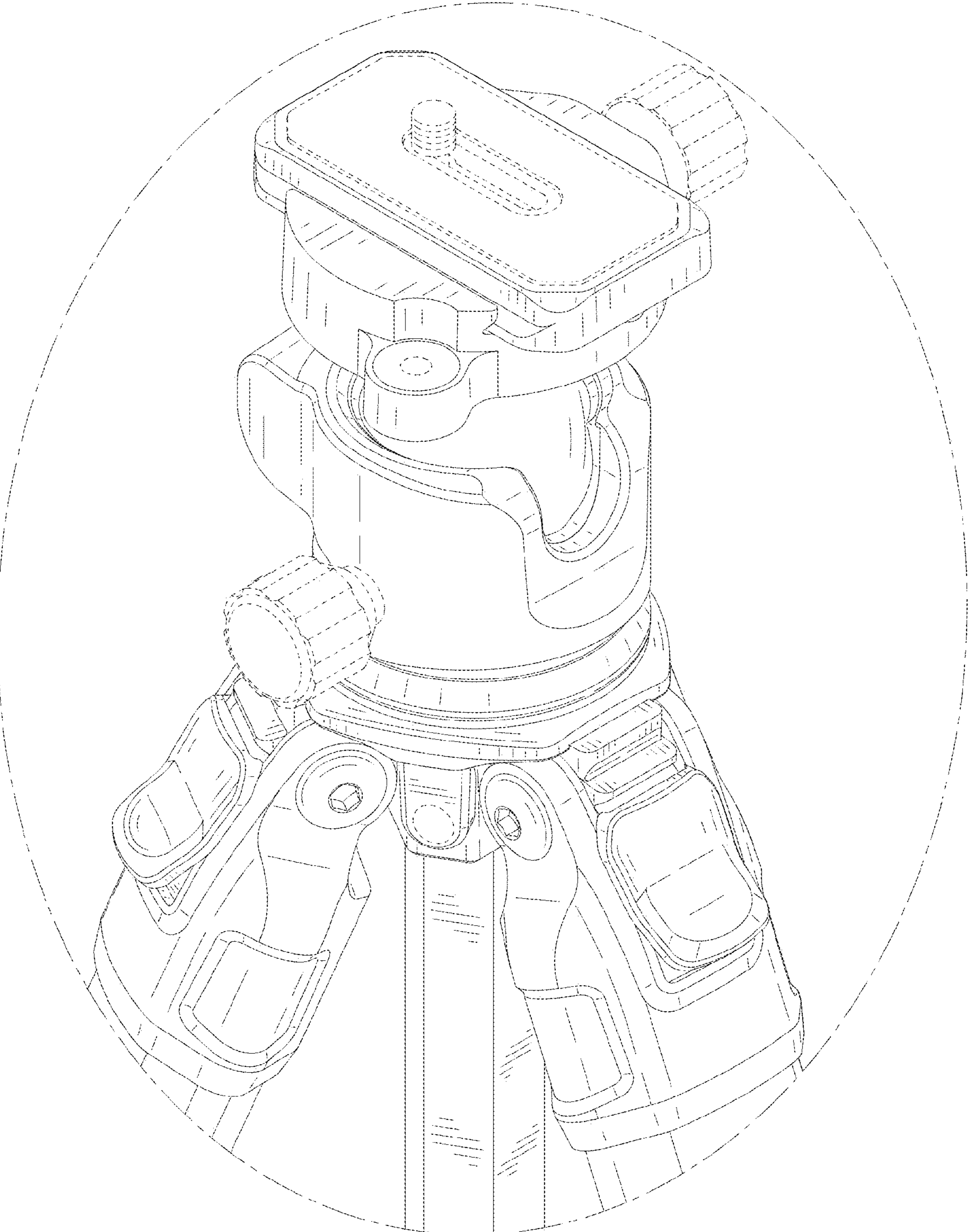


FIG. 10

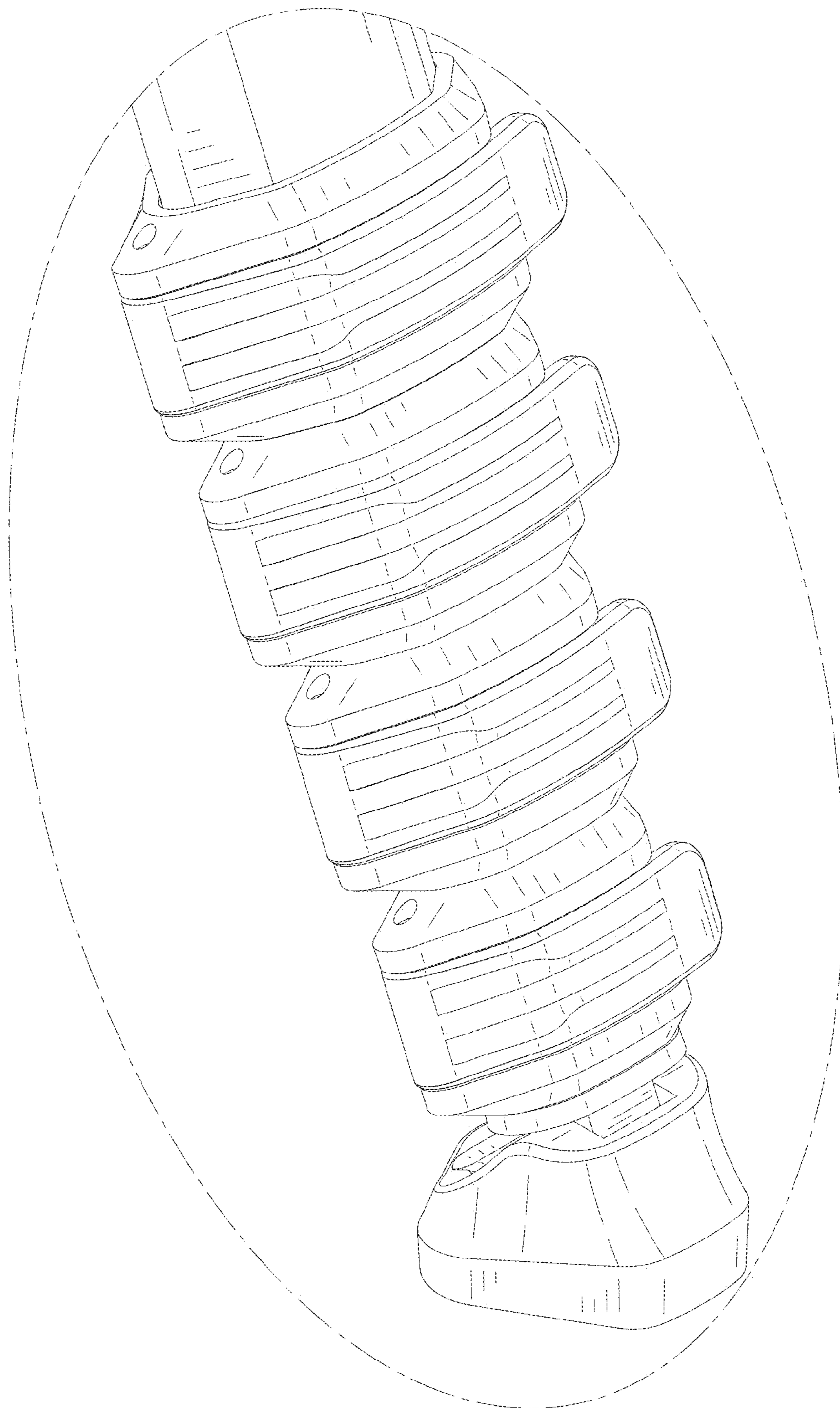


FIG. 11

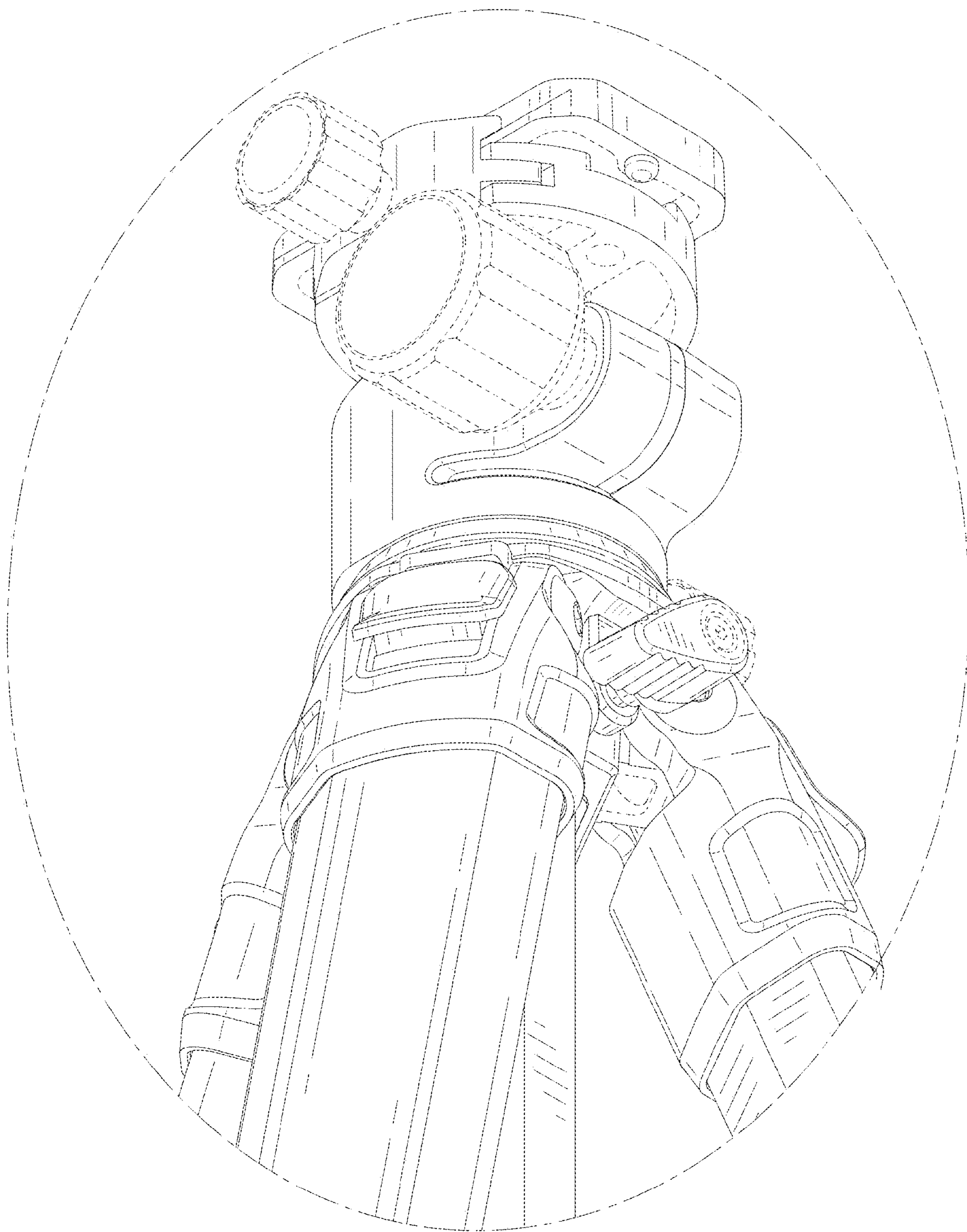


FIG. 12