



US00D975169S

(12) **United States Design Patent** (10) **Patent No.:** **US D975,169 S**
Yu (45) **Date of Patent:** **** Jan. 10, 2023**

(54) **INFLATABLE MOVIE SCREEN**
(71) Applicant: **Tianxiang Yu**, Guangzhou (CN)
(72) Inventor: **Tianxiang Yu**, Guangzhou (CN)
(**) Term: **15 Years**

2008/0231815 A1* 9/2008 Ganzevoort G09F 15/0025
359/450
2009/0116106 A1* 5/2009 Adams G03B 21/58
359/443
2011/0304908 A1* 12/2011 Giammarinaro, Jr.
G03B 21/585
359/450

(21) Appl. No.: **29/737,903**
(22) Filed: **Jun. 12, 2020**
(51) **LOC (14) Cl.** **16-05**
(52) **U.S. Cl.**
USPC **D16/241**
(58) **Field of Classification Search**
USPC D16/219, 237-250; D14/229, 238, 251,
D14/253, 447, 451, 457; D8/354, 355,
D8/363, 373, 382-383, 394-396;
D21/803, 809
CPC A45F 2200/0508-0533; A45F 5/00; A45F
5/10; A47G 5/00; F16M 11/06-10; F16M
11/14; G02B 7/00-002; G03B 17/56;
G03B 17/561-566; G03B 21/58; H04N
5/2253-2254
See application file for complete search history.

FOREIGN PATENT DOCUMENTS

CN 306236990 * 12/2020
CN 306298025 * 1/2021

(Continued)

OTHER PUBLICATIONS

Sewinfla Upgraded Outdoor Movie Screen, product available Jul. 9, 2020 [online], pictured review Aug. 8, 2020 [online], [site visited Jun. 13, 2022]:URL:<https://www.amazon.com/gp/product/B08CNDS5V9/ref=ox_sc_act_title_1?smid=AQNUW2487BLE9&psc=1> (Year: 2020).*

(Continued)

Primary Examiner — Bao-Yen T Nguyen
Assistant Examiner — Loryn K. Leblanc
(74) *Attorney, Agent, or Firm* — Rumit Ranjit Kanakia

(57) **CLAIM**

The ornamental design for an inflatable movie screen, as shown and described.

(56) **References Cited**

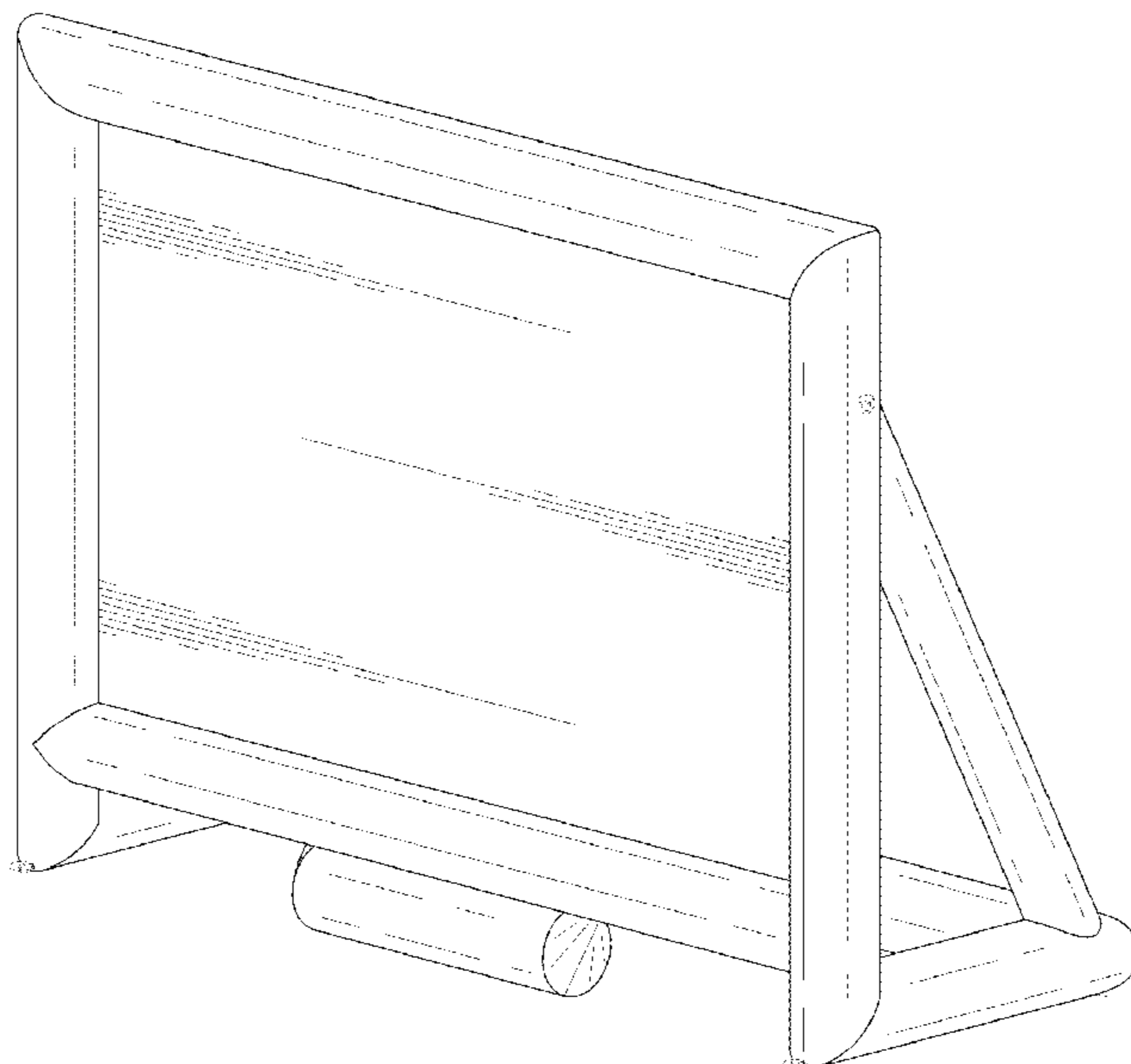
U.S. PATENT DOCUMENTS

3,002,557 A * 10/1961 Roth G03B 21/58
160/381
D219,408 S * 12/1970 Frish D16/241
D543,229 S * 5/2007 Hochendoner D16/241
D593,591 S * 6/2009 Hochendoner D16/241
7,961,388 B1 * 6/2011 Deutsch G03B 21/585
248/694
D654,132 S * 2/2012 Giammarinaro, Jr. D21/803
D654,945 S * 2/2012 Giammarinaro, Jr. D16/241
8,254,024 B2 * 8/2012 Giammarinaro, Jr.
G03B 21/585
359/450

DESCRIPTION

FIG. 1 is a perspective view of an inflatable movie screen showing my new design;
FIG. 2 is a front view thereof;
FIG. 3 is a back view thereof;
FIG. 4 is a right-side view thereof;
FIG. 5 is a left side view thereof;
FIG. 6 is a top view thereof; and,
FIG. 7 is a bottom view thereof.
The broken lines shown in the figures depict portions of the inflatable movie screen that form no part of claimed design.

1 Claim, 7 Drawing Sheets



(56)

References Cited

FOREIGN PATENT DOCUMENTS

CN	306487931	*	4/2021
CN	306840601	*	9/2021
EM	008158596-0001	*	9/2020
EM	008158596-0002	*	9/2020
EM	008158596-0003	*	9/2020
EM	008158596-0004	*	9/2020
GB	9006783114-0001	*	8/2019
GB	9006783114-0002	*	8/2019
GB	9008158596-0001	*	9/2020
GB	9008158596-0002	*	9/2020
GB	9008158596-0003	*	9/2020
GB	9008158596-0004	*	9/2020
JP	D1674443	*	12/2020

OTHER PUBLICATIONS

16Ft Outdoor and Indoor Inflatable Movie Projector Screen, product available Jan. 14, 2020 [online], video review Jul. 17, 2020 [online], [site visited Jun. 13, 2022]:URL:<https://www.amazon.com/gp/product/B082B353VW/ref=sw_img_1?smid=AQNUW2487BLE9&psc=1> (Year: 2020).*

Sewinfla 33Ft Giant Inflatable Projector Screen, product available Jun. 21, 2020 [online], pictured review Jan. 31, 2022 [online], [site visited Jun. 13, 2022]:URL:<https://www.amazon.com/gp/product/B086RSTQ8N/ref=sw_img_1?smid=AQNUW2487BLE9&psc=1> (Year: 2020).*

Sewinfla 24Ft Inflatable Projector Screen, product available May 23, 2019 [online], pictured review Jun. 20, 2020 [online], [site visited Jun. 13, 2022]:URL:<https://www.amazon.com/gp/product/B085M8VWSR/ref=sw_img_1?smid=AQNUW2487BLE9&psc=1> (Year: 2020).*

20 Feet Inflatable Outdoor Movie Projector Screen, product available Sep. 19, 2018 [online], pictured review Sep. 21, 2019 [online], [site visited Jun. 13, 2022]:URL:<https://www.amazon.com/gp/product/B07RSQ8YTV/ref=sw_img_1?smid=A2OPANTK8XL3YS&psc=1> (Year: 2018).*

Tawesedi 14ft Inflatable Movie Screen, product available Dec. 22, 2019 [online], no video/pictured review [online], [site visited Jun. 13, 2022]:URL:<https://www.amazon.com/gp/product/B0838SMY58/ref=sw_img_1?smid=A1P60NMLED1NFV&psc=1> (Year: 2019).*

Khomo Gear Jumbo 20 Feet Inflatable Outdoor and Indoor Theater Projector Screen, product available Aug. 31, 2018 [online], pictured review Sep. 21, 2019 [online], [site visited Jun. 13, 2022]:URL:<https://www.amazon.com/gp/product/B07GZZBQ7T/ref=ox_sc_act_title_1?smid=A2ZORVN37M8V52&psc=1> (Year: 2018).*

TKLoop 24 Feet Inflatable Movie Screen, product available Aug. 11, 2020 [online], pictured review Oct. 26, 2020 [online], [site visited Jun. 13, 2022]:URL:<https://www.amazon.com/gp/product/B08FML2KFC/ref=sw_img_1?smid=AQNUW2487BLE9&psc=1> (Year: 2020).*

Fitnessandfun 30ft Seamless Inflatable Projector Movie Screen, product available Jan. 21, 2021 [online], no video/pictured review [online], [site visited Jun. 13, 2022]:URL:<https://www.amazon.com/gp/product/B08MZY2TJM/ref=sw_img_1?smid=AL4C5IJXILPYQ&psc=1> (Year: 2021).*

40ftX 20ft (Viewing Area), product available Aug. 26, 2015 [online], no video/pictured review [online], [site visited Jun. 13, 2022]:URL:<<https://www.amazon.com/expedited-availabl-Inflatable-Accessories-projection/dp/B014165SIA>> (Year: 2015).*

OZIS 25Ft Inflatable Outdoor Projector Movie Screen, product available Jul. 24, 2021 [online], pictured review May 16, 2021 [online], [site visited Jun. 13, 2022]:URL:<https://www.amazon.com/gp/product/B08CZF894B/ref=sw_img_1?smid=A17ER5G1QWYLG3&th=1> (Year: 2021).*

SHANG-JUN Projector Screen, product availability unknown [online], no video/pictured review [online], [site visited Jun. 13, 2022]:URL:<https://www.amazon.com/gp/product/B09X9LD7BD/ref=sw_img_1?smid=A1QHNI5JKQ51PM&psc=1> (Year: 2022).*

24FT Inflatable Mega Movie Screen Outdoor—Front and Rear Projection—Portable Blow Up Projector Screen for Grand Parties, Easy to Set Up (with Blower in One Box), <https://www.amazon.com/gp/product/B086RSTQ8N>, Apr. 24, 2020.

* cited by examiner

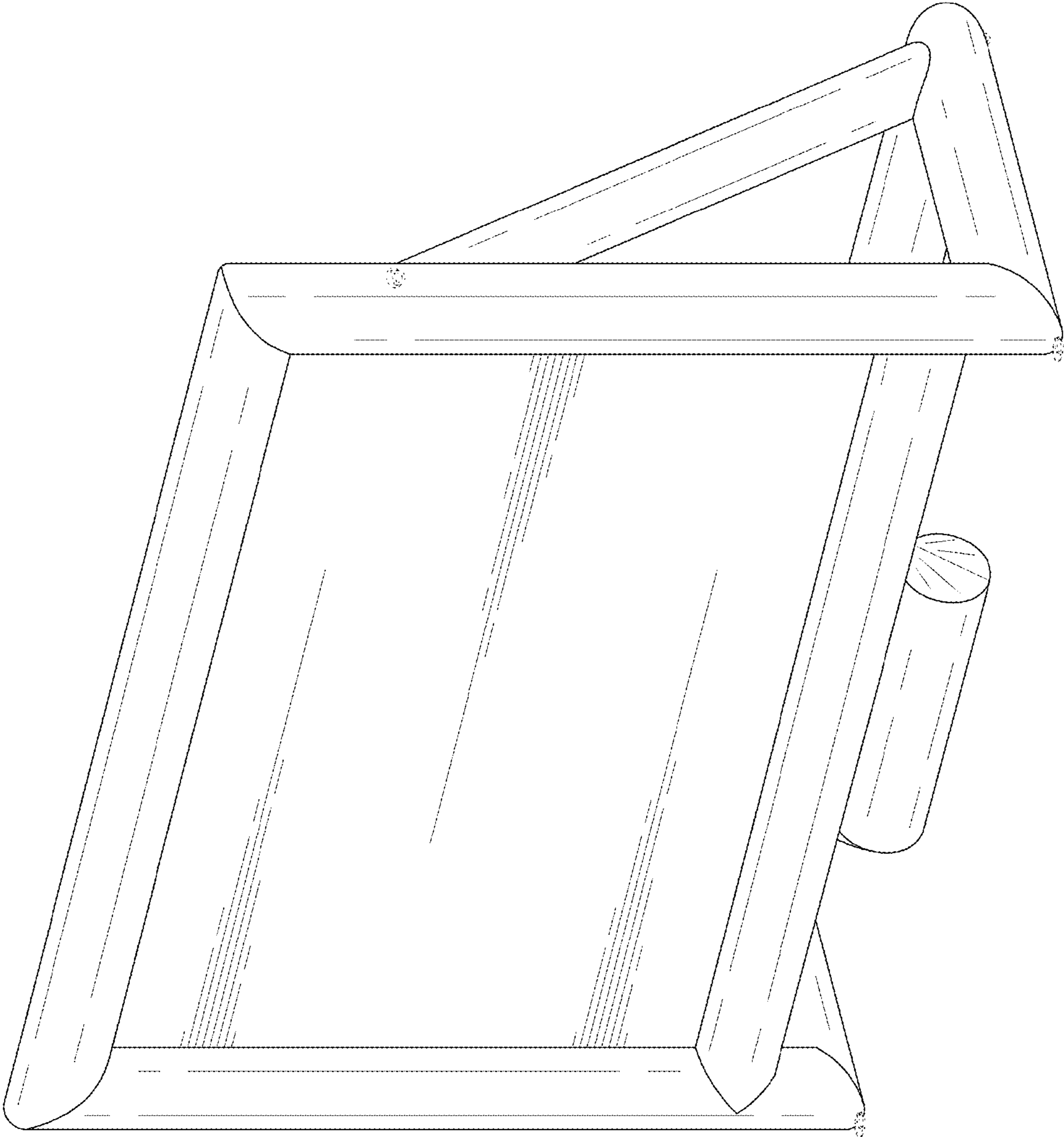


FIG. 1

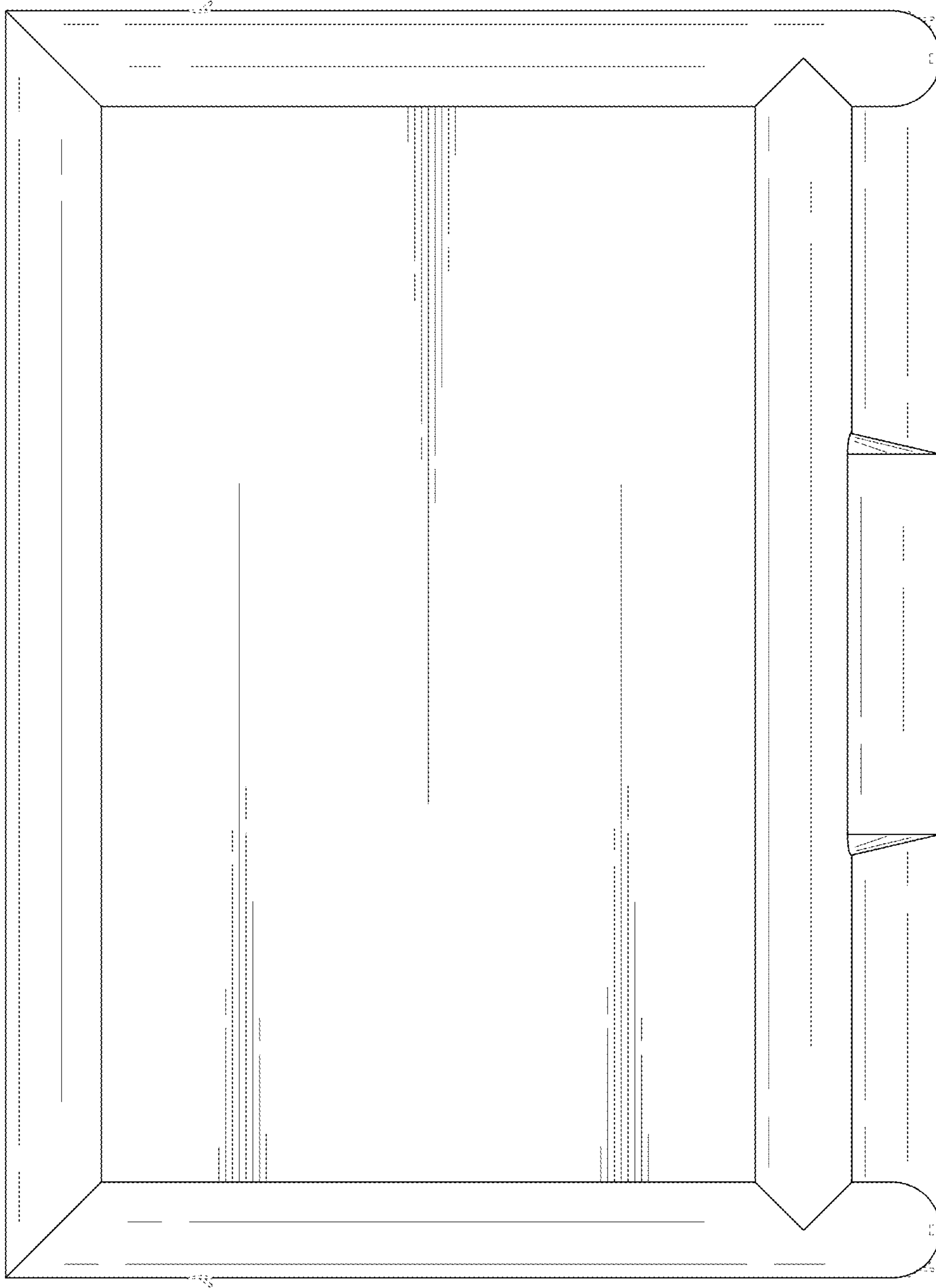


FIG. 2

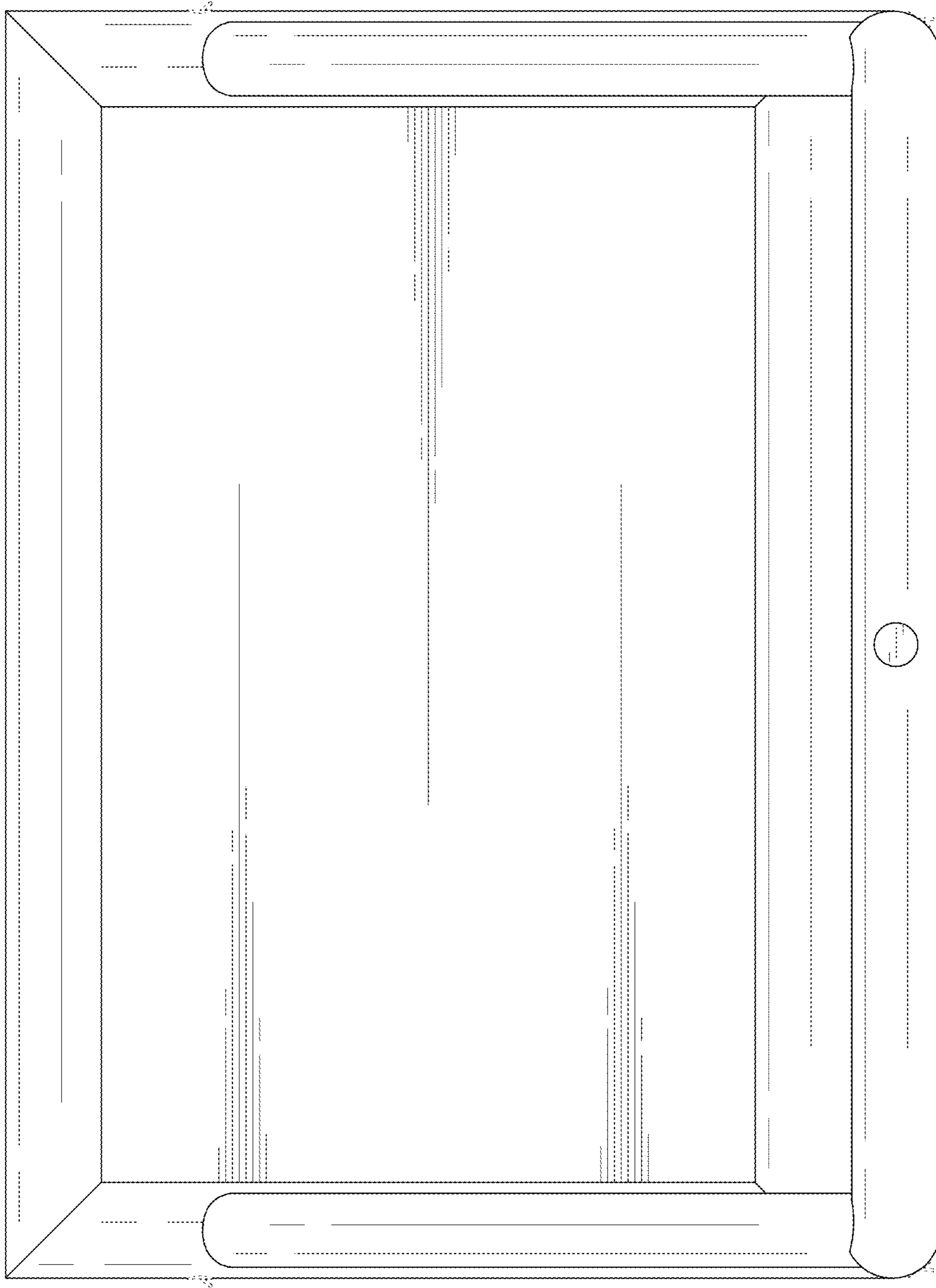


FIG. 3

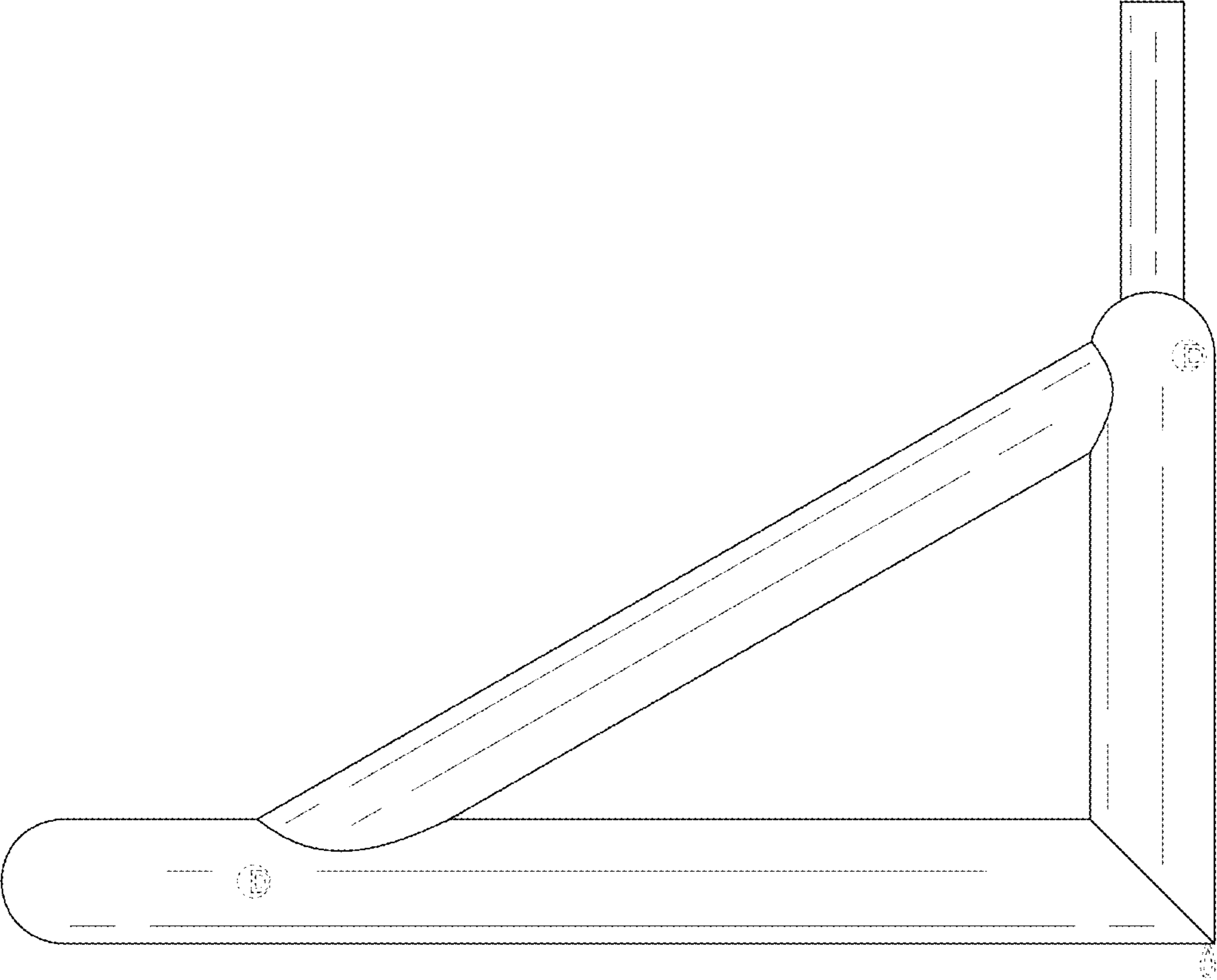


FIG. 4

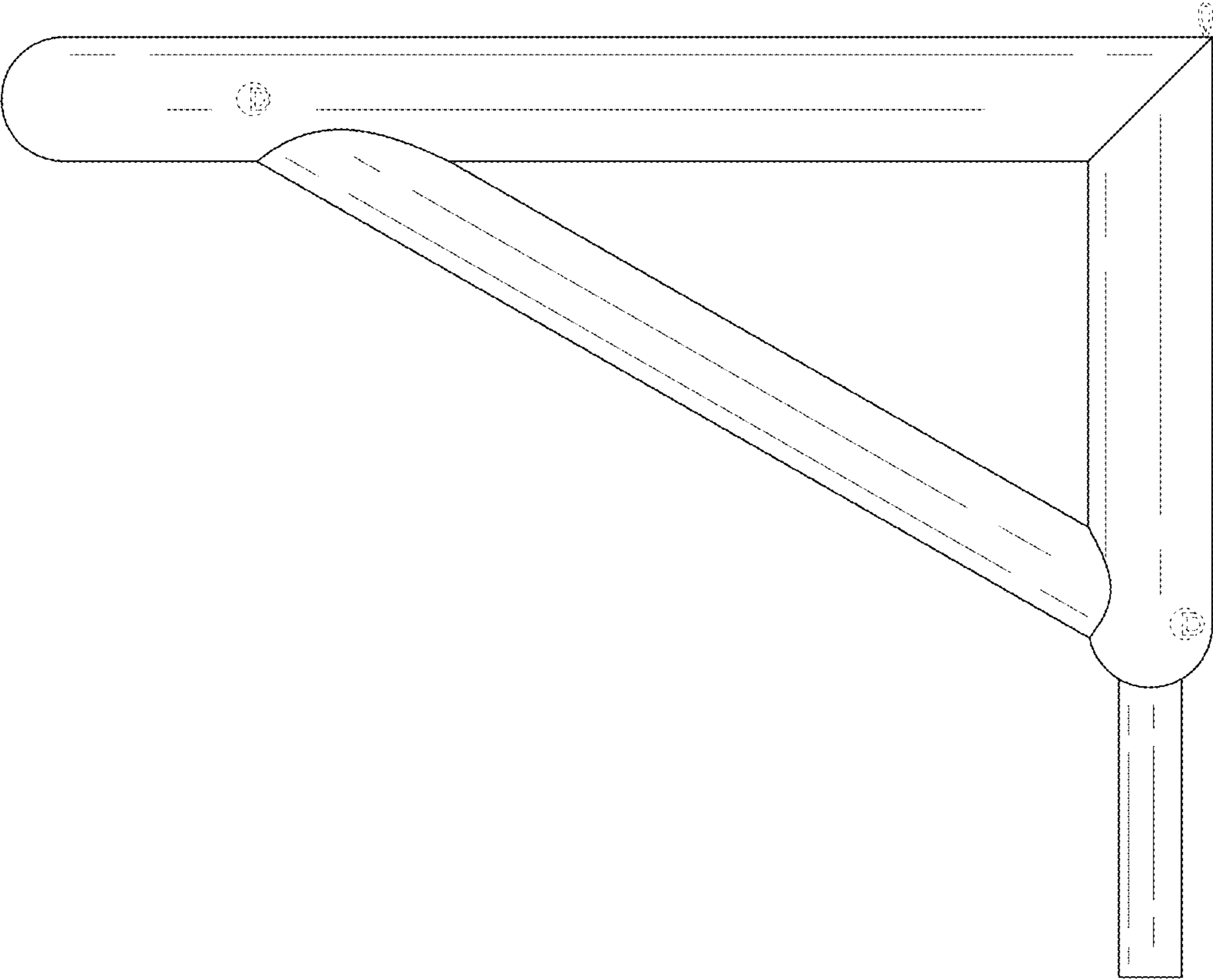


FIG. 5

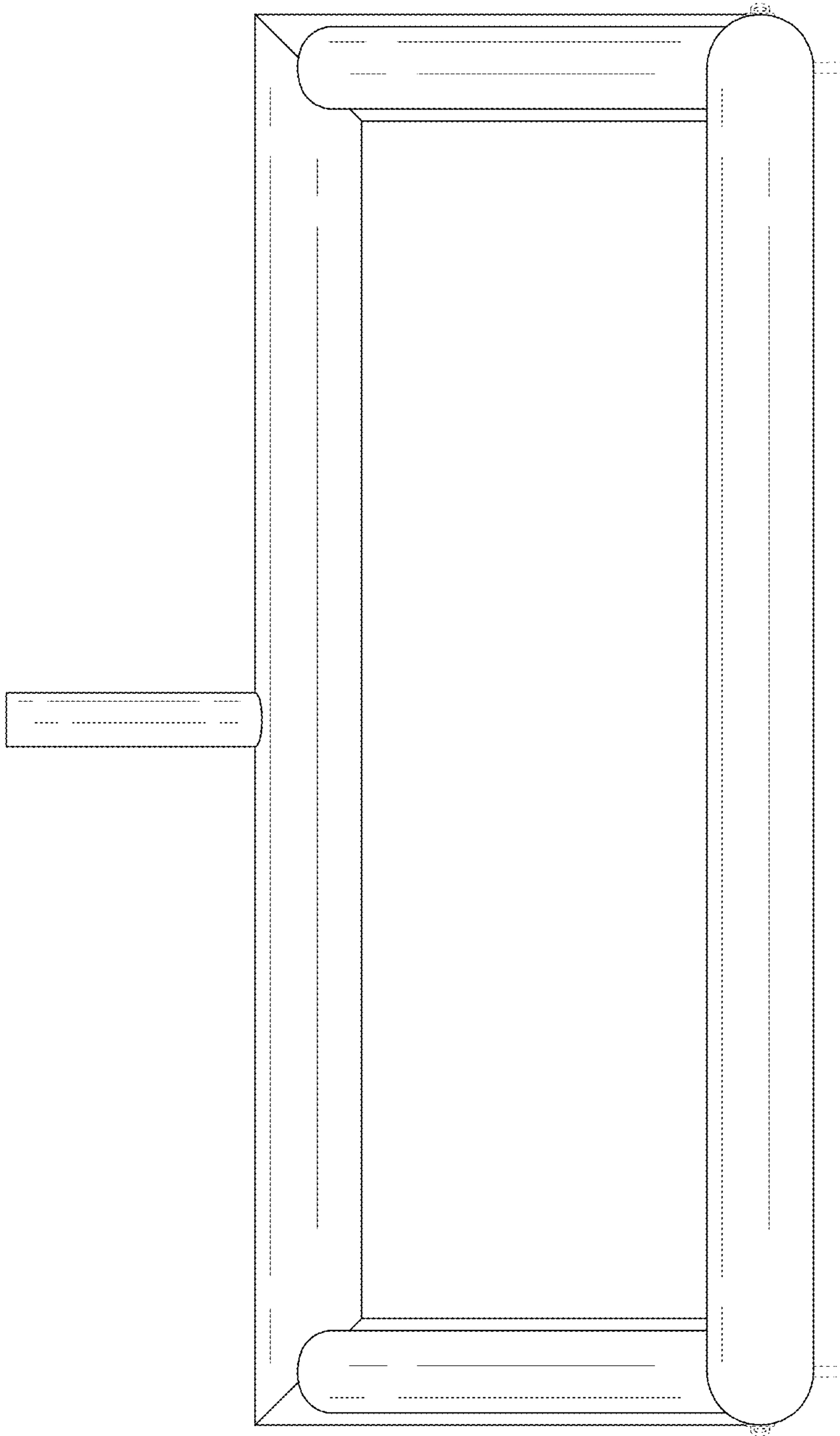


FIG. 6

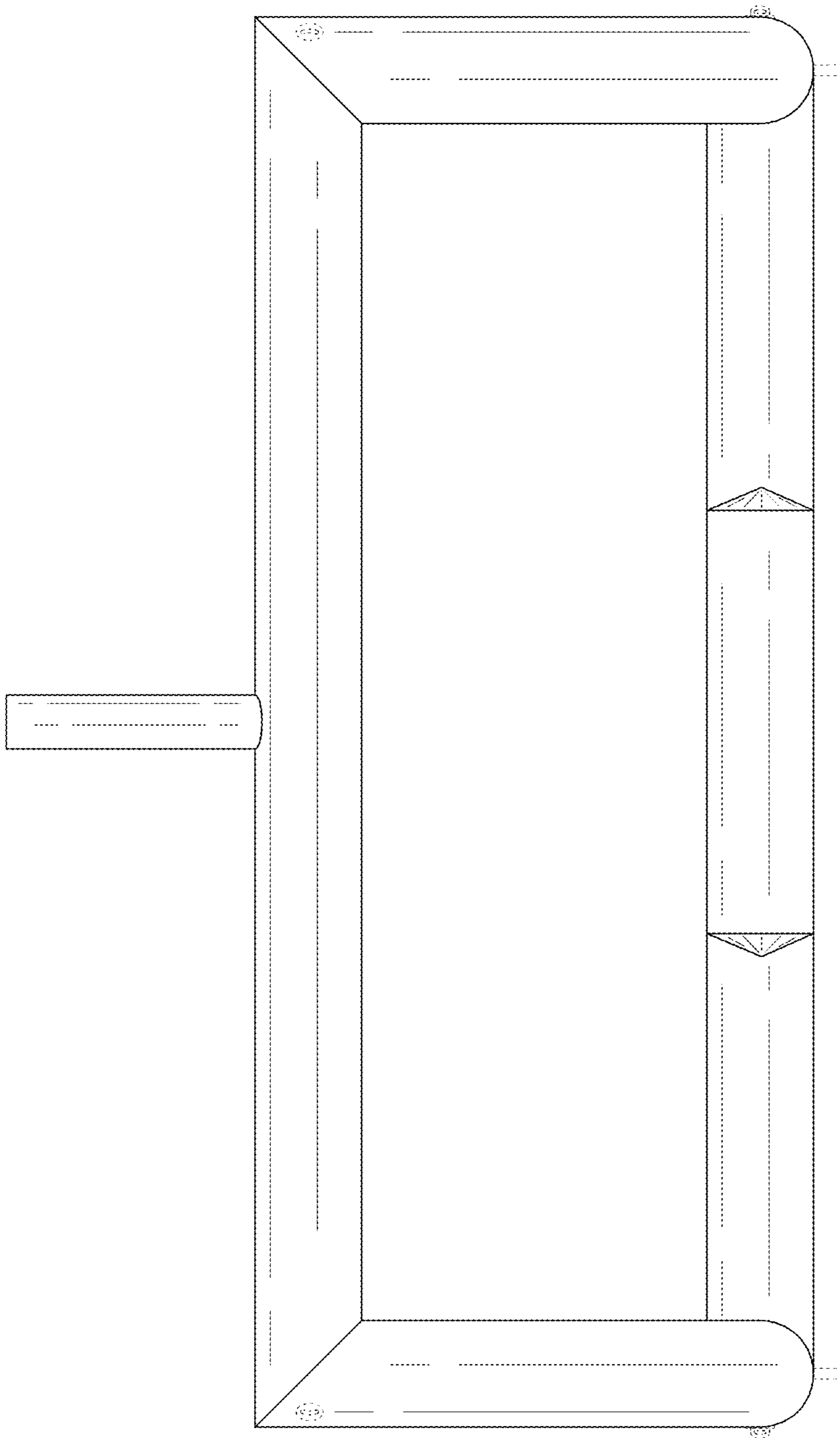


FIG. 7