



US00D975168S

(12) **United States Design Patent**
Lin

(10) **Patent No.:** **US D975,168 S**
(45) **Date of Patent:** **** Jan. 10, 2023**

(54) **PROJECTOR**

(71) Applicant: **Zhangzhou Daxing Technology Co., Ltd.**, Zhangzhou (CN)

(72) Inventor: **Sibin Lin**, Zhangzhou (CN)

(**) Term: **15 Years**

(21) Appl. No.: **29/814,751**

(22) Filed: **Nov. 9, 2021**

(51) **LOC (14) Cl.** **16-02**

(52) **U.S. Cl.**
USPC **D16/225**

(58) **Field of Classification Search**
USPC D16/221, 225, 230-231; D32/21
CPC G03B 21/16; G03B 21/14; G03B 21/00;
G03B 21/003; G03B 21/145; G03B 21/12
See application file for complete search history.

(56) **References Cited**

U.S. PATENT DOCUMENTS

D489,390 S *	5/2004	Ohshima	D16/225
D542,827 S *	5/2007	Ebihara	D16/221
8,061,858 B2 *	11/2011	Belliveau	G03B 21/145 348/789
D710,925 S	8/2014	Tabuchi		
D834,636 S	11/2018	Gan		
D877,794 S	3/2020	Tanaka		
D877,797 S	3/2020	Tanaka		

D877,798 S	3/2020	Tanaka		
D877,799 S	3/2020	Tanaka		
D877,800 S	3/2020	Tanaka		
D878,452 S	3/2020	Tanaka		
D878,453 S	3/2020	Tanaka		
D880,565 S	4/2020	Hu		
D907,683 S *	1/2021	Yu	D16/225
D924,309 S *	7/2021	Peng	D16/225
D935,511 S *	11/2021	Asai	D16/225

* cited by examiner

Primary Examiner — Wan Laymon

(74) *Attorney, Agent, or Firm* — Rumit Ranjit Kanakia

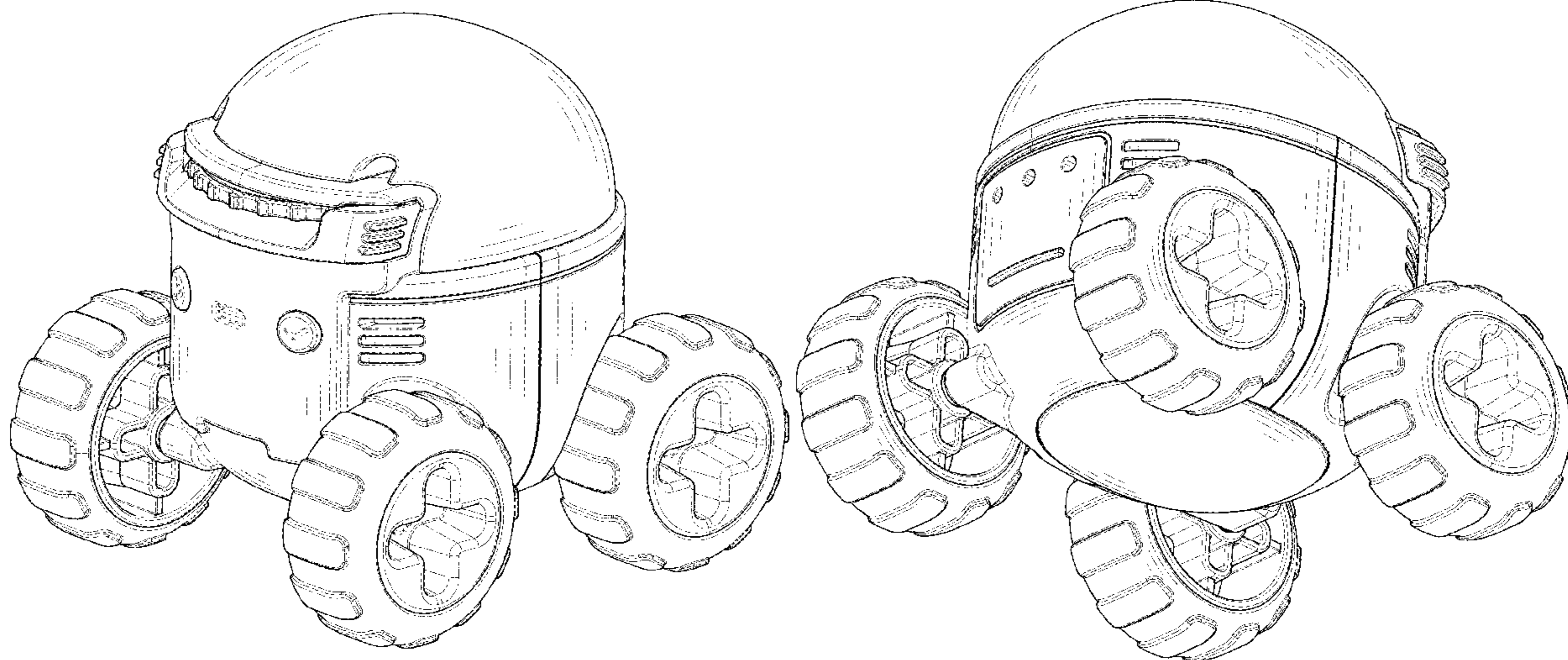
(57) **CLAIM**

The ornamental design for a projector, as shown and described.

DESCRIPTION

FIG. 1 is a perspective view of a projector showing my new design;
FIG. 2 is another perspective view thereof;
FIG. 3 is a front elevational view thereof;
FIG. 4 is a rear elevational view thereof;
FIG. 5 is a left side view thereof;
FIG. 6 is a right side view thereof;
FIG. 7 is a top plan view thereof; and,
FIG. 8 is a bottom plan view thereof.
The broken lines in the figures are for the purposes of illustrating portions of the projector, which form no part of the claimed design.

1 Claim, 8 Drawing Sheets



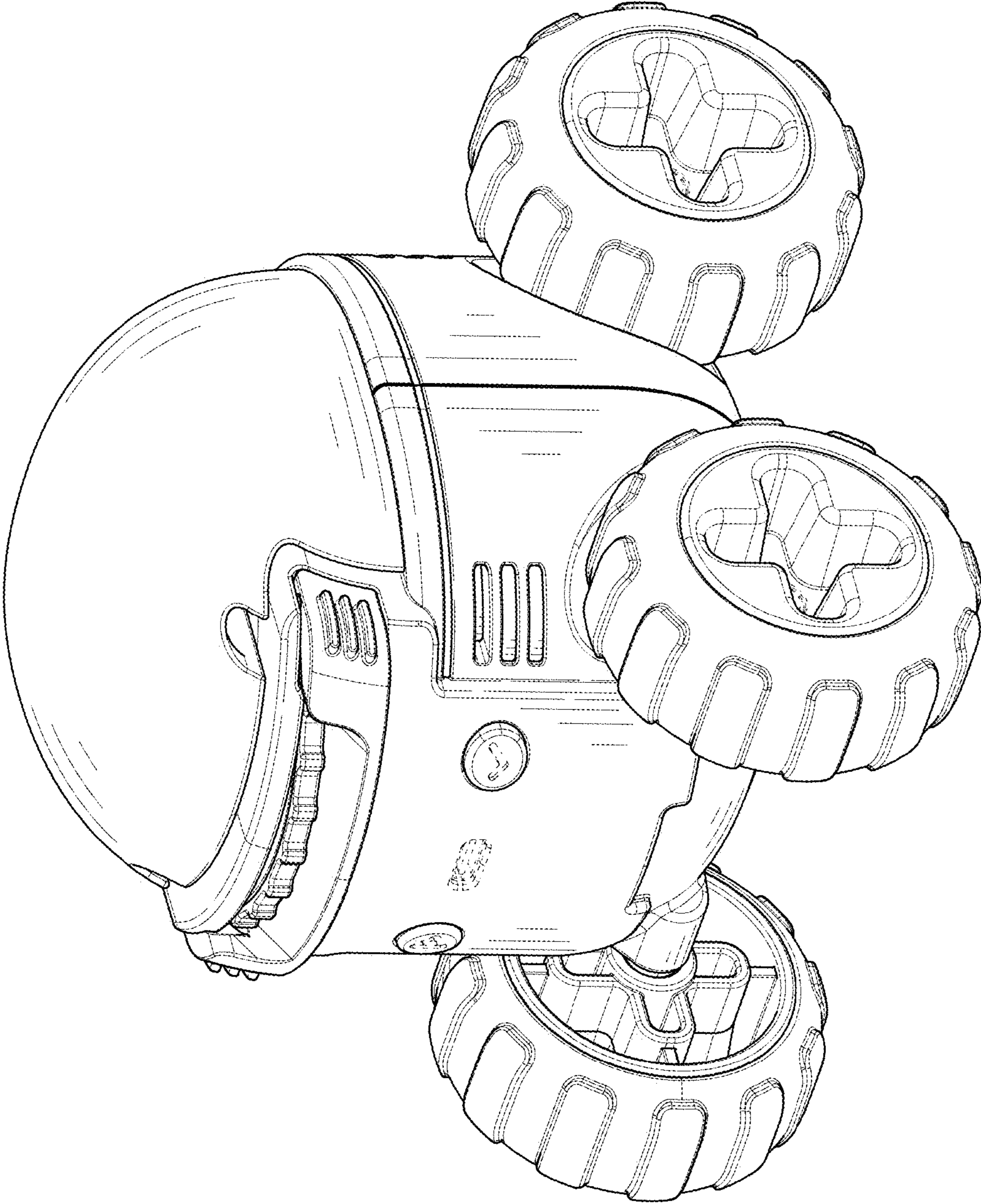


FIG. 1

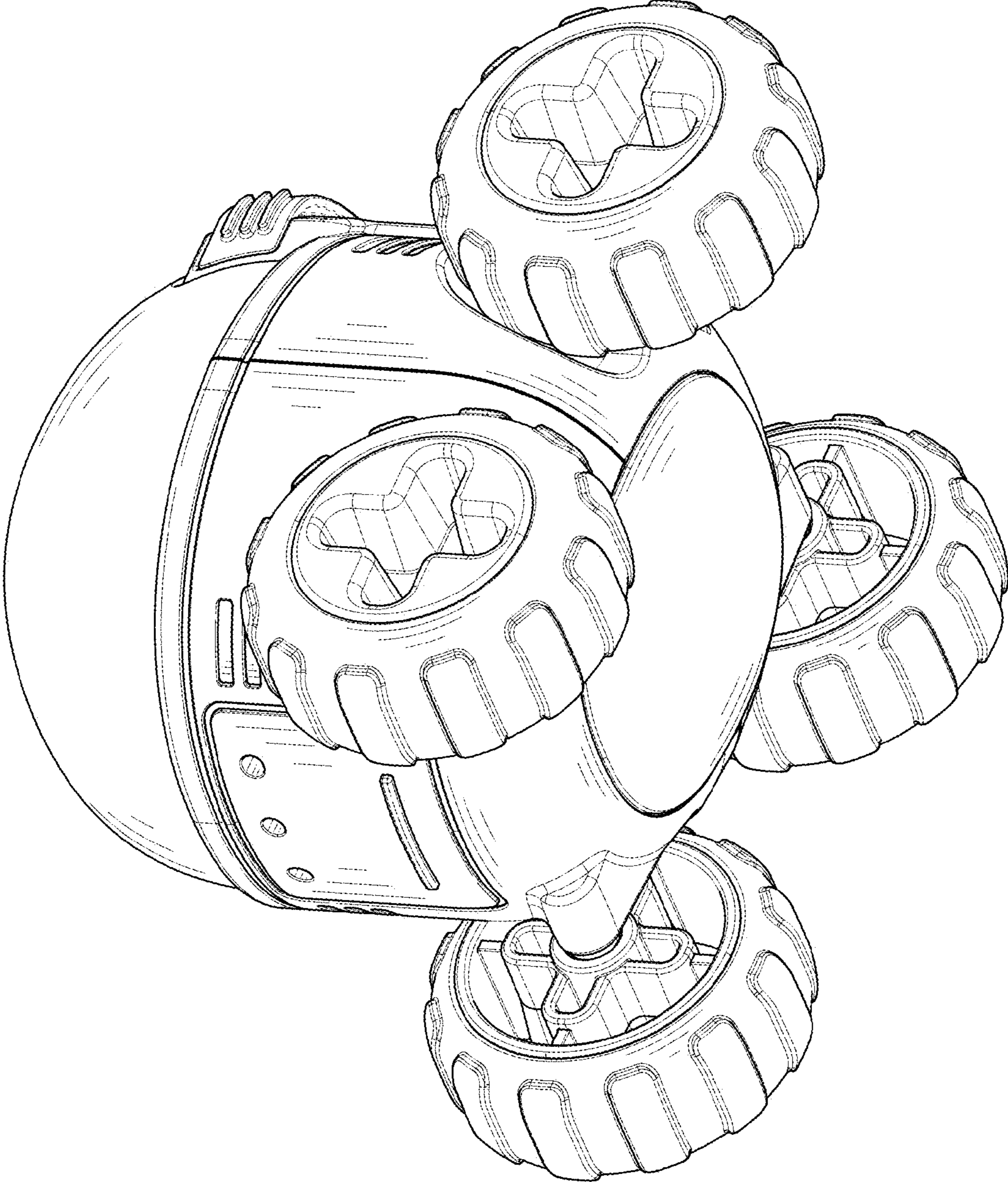


FIG. 2

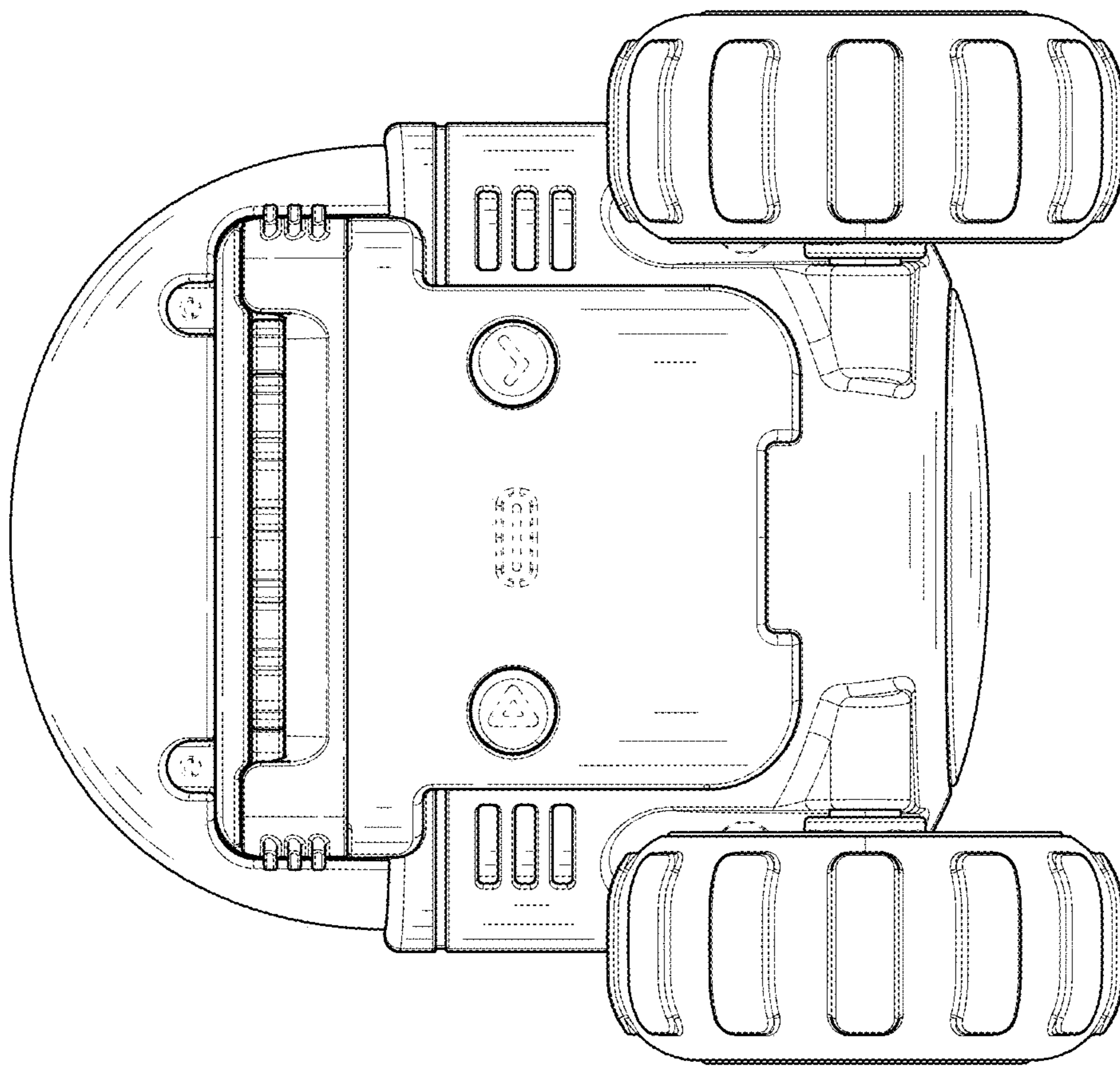


FIG. 3

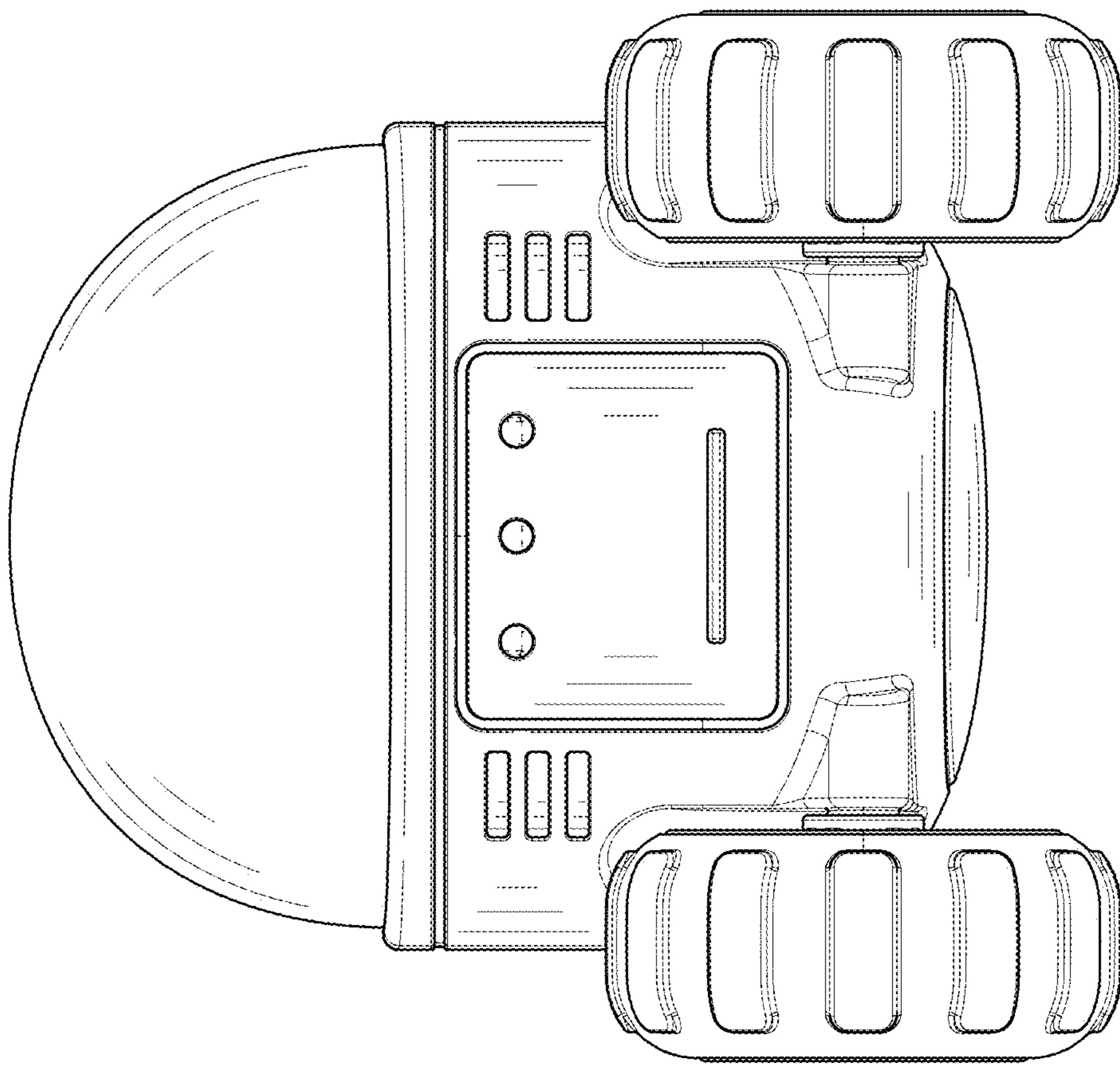


FIG. 4

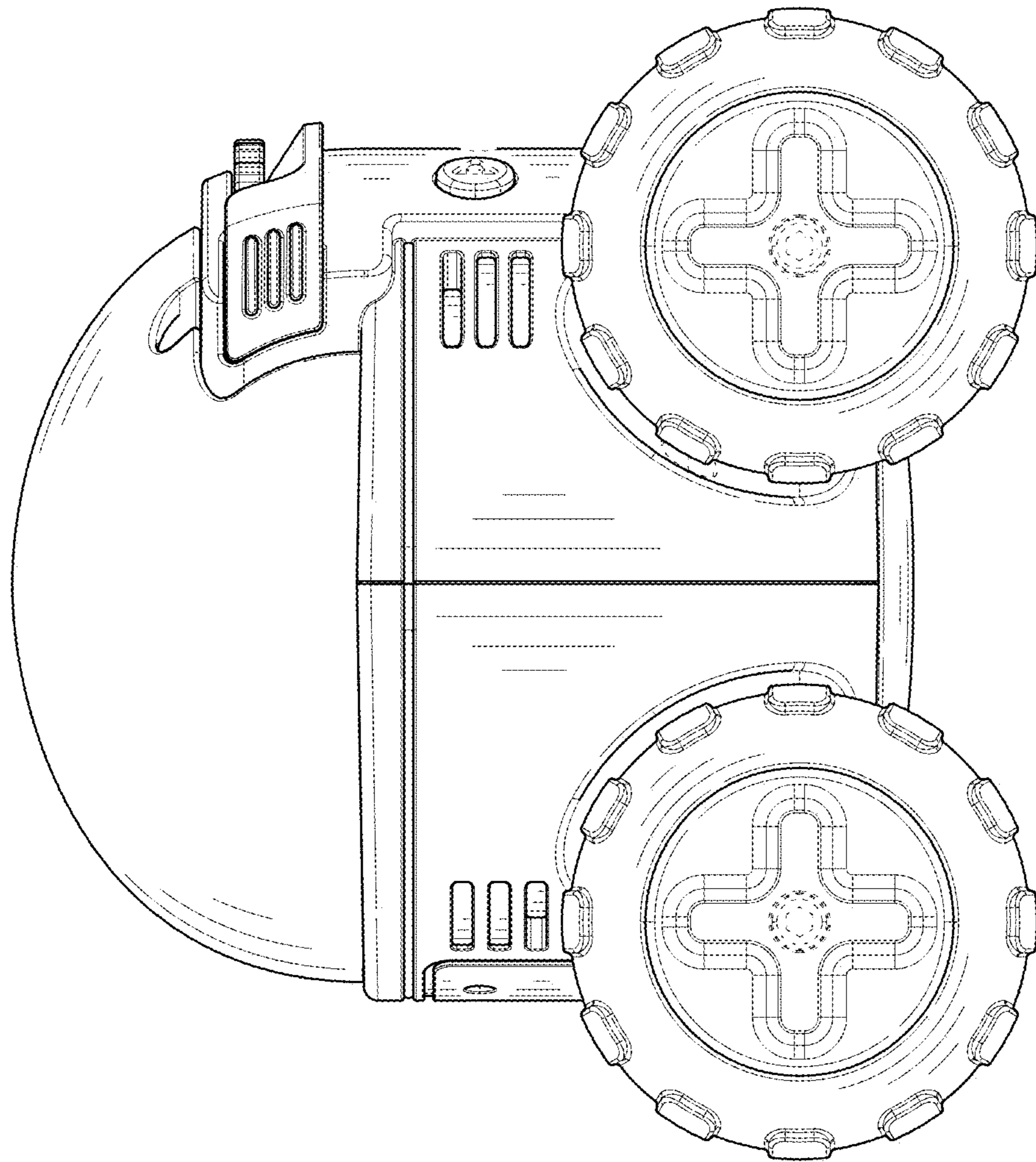


FIG. 5

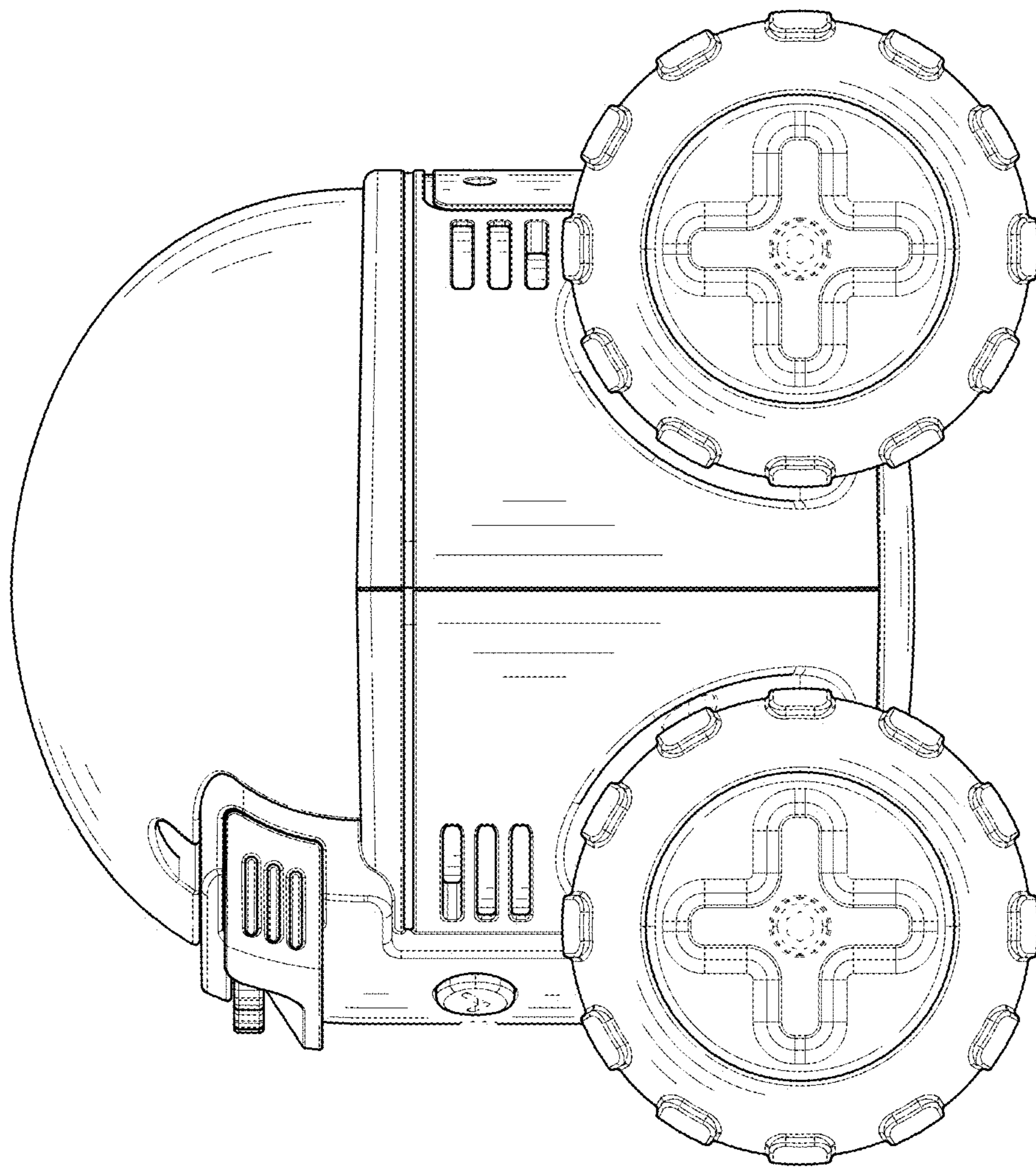


FIG. 6

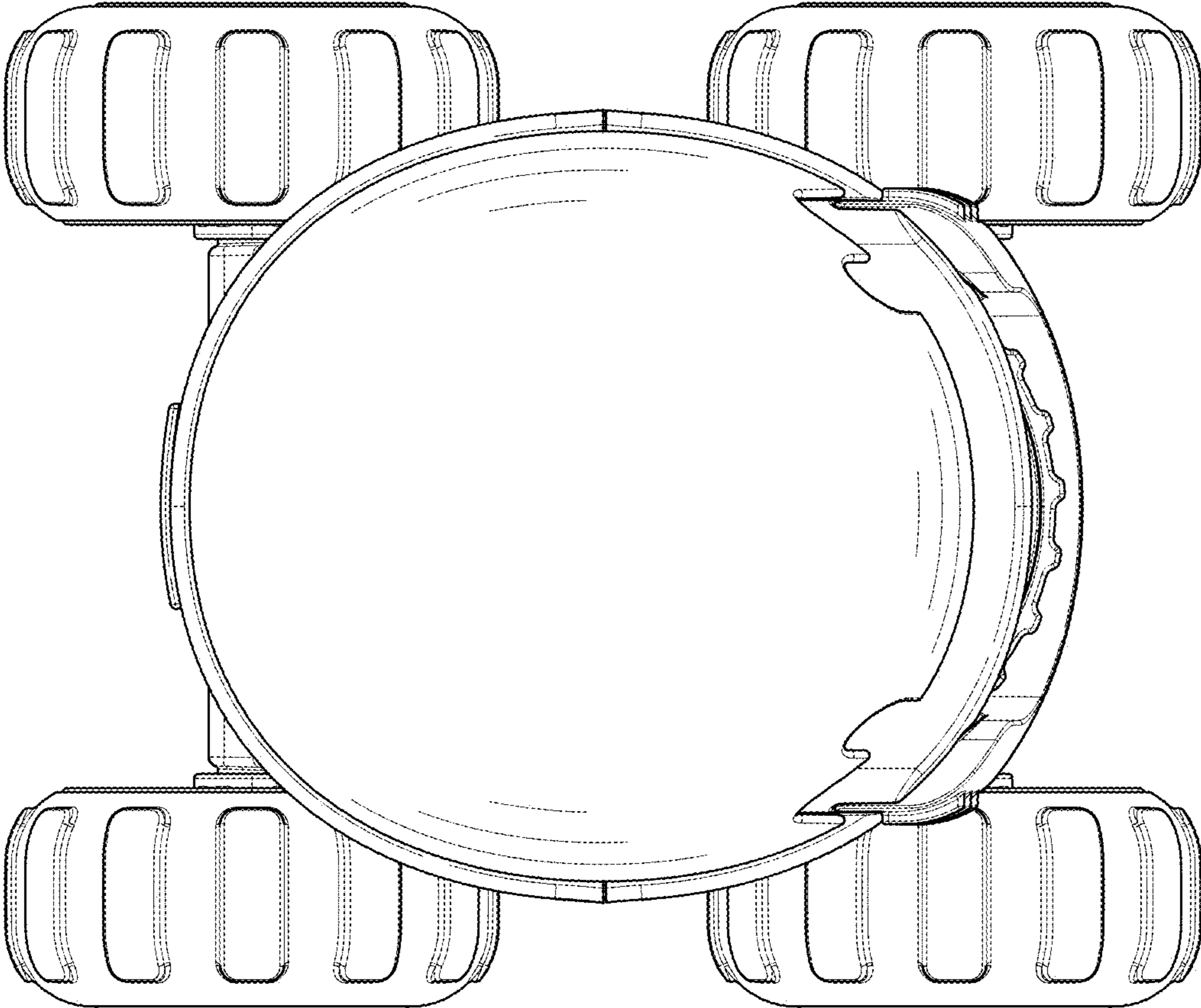


FIG. 7

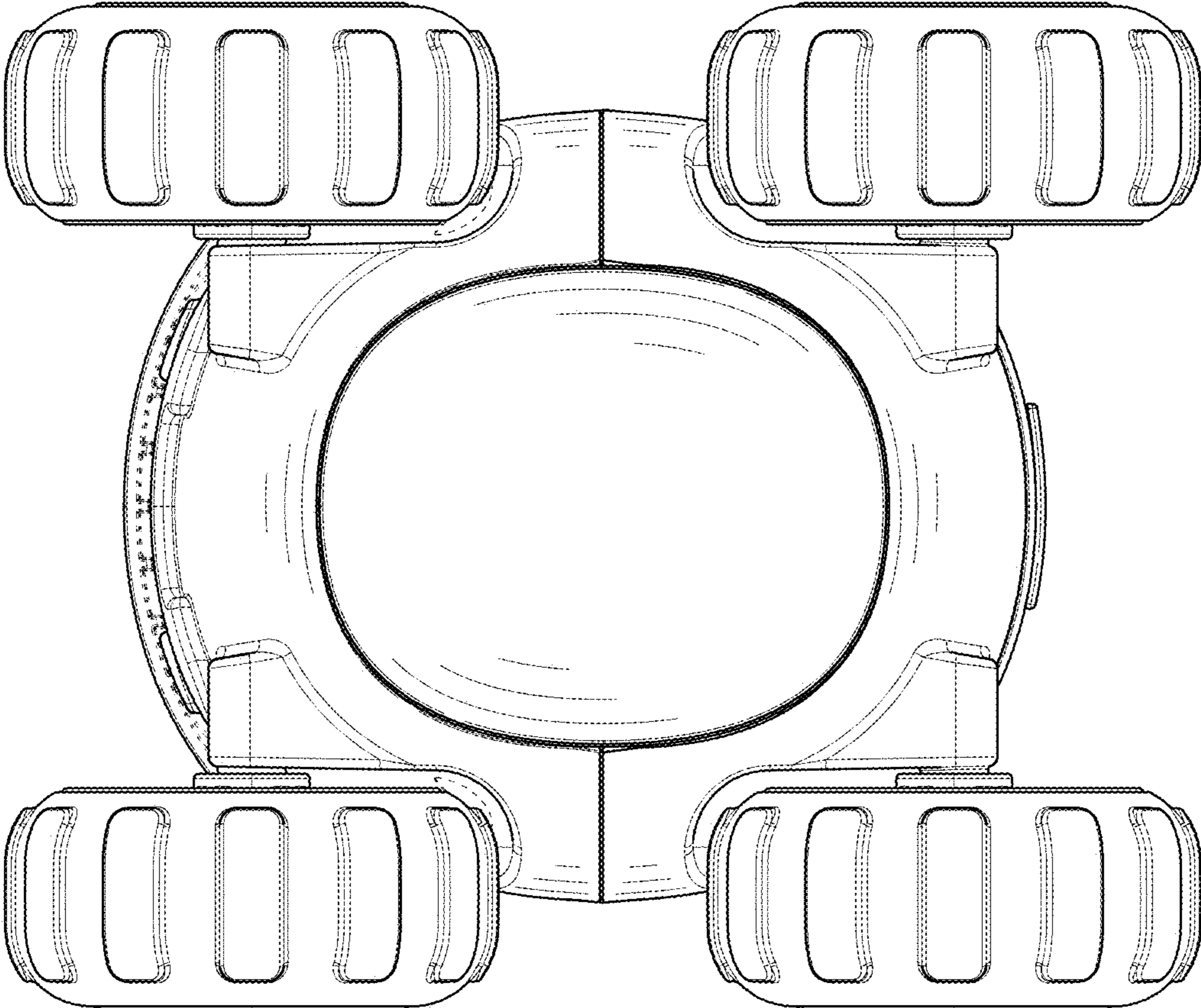


FIG. 8