



US00D975167S

(12) **United States Design Patent**
Kawanago et al.

(10) **Patent No.:** **US D975,167 S**
(45) **Date of Patent:** **** Jan. 10, 2023**

(54) **FRAME BODY FOR USE IN AN OPTICAL MEMBER OF A LENS FOR A CAMERA**

(71) Applicant: **FUJIFILM Corporation**, Tokyo (JP)

(72) Inventors: **Atsushi Kawanago**, Saitama (JP);
Kazuyoshi Okada, Saitama (JP);
Yasunobu Kishine, Saitama (JP); **Yuya Hirakawa**, Saitama (JP)

(73) Assignee: **FUJIFILM Corporation**, Tokyo (JP)

(**) Term: **15 Years**

(21) Appl. No.: **29/744,672**

(22) Filed: **Jul. 30, 2020**

(30) **Foreign Application Priority Data**

Jan. 31, 2020 (JP) JP2020-015551
Jul. 1, 2020 (JP) JP2020-114004
Jul. 14, 2020 (JP) 2020-014459 D

(51) **LOC (14) Cl.** **16-05**

(52) **U.S. Cl.**
USPC **D16/219; D16/130**

(58) **Field of Classification Search**
USPC D16/130, 132, 134, 136, 200, 202-205,
D16/218, 219, 235, 242; D8/358;
(Continued)

(56) **References Cited**

U.S. PATENT DOCUMENTS

D250,338 S * 11/1978 LaPierre D15/78
D278,359 S * 4/1985 Sugimoto D8/358
(Continued)

FOREIGN PATENT DOCUMENTS

JP 6-78938 U 11/1994
JP 2311-81050 A 4/2011

OTHER PUBLICATIONS

Infrared Thermography FSV-7000E for All “Temperature Analysis Professional,” Real Time PC Thermography, Japan Patent Office, Design Division Official Gazette No. HC19005078, p. 13.

(Continued)

Primary Examiner — Ramzi Almatrahi

(74) *Attorney, Agent, or Firm* — Birch, Stewart, Kolasch & Birch, LLP

(57) **CLAIM**

The ornamental design for a frame body for use in an optical member of a lens for a camera, as shown and described.

DESCRIPTION

FIG. 1 is a front perspective view of a frame body for use in an optical member of a lens for a camera showing our new design;

FIG. 2 is a rear perspective view thereof;

FIG. 3 is a front view thereof;

FIG. 4 is a rear view thereof;

FIG. 5 is a top plan view thereof;

FIG. 6 is a bottom plan view thereof;

FIG. 7 is a right side view thereof;

FIG. 8 is a left side view thereof;

FIG. 9 is a cross-sectional view thereof, taken along line 9-9 of the area defined between A and B in FIG. 3;

FIG. 10 is a cross-sectional view thereof, taken along line 10-10 of the area defined between A and B in FIG. 3;

FIG. 11 is a cross-sectional view thereof, taken along line 11-11 of the area defined between A and B in FIG. 3;

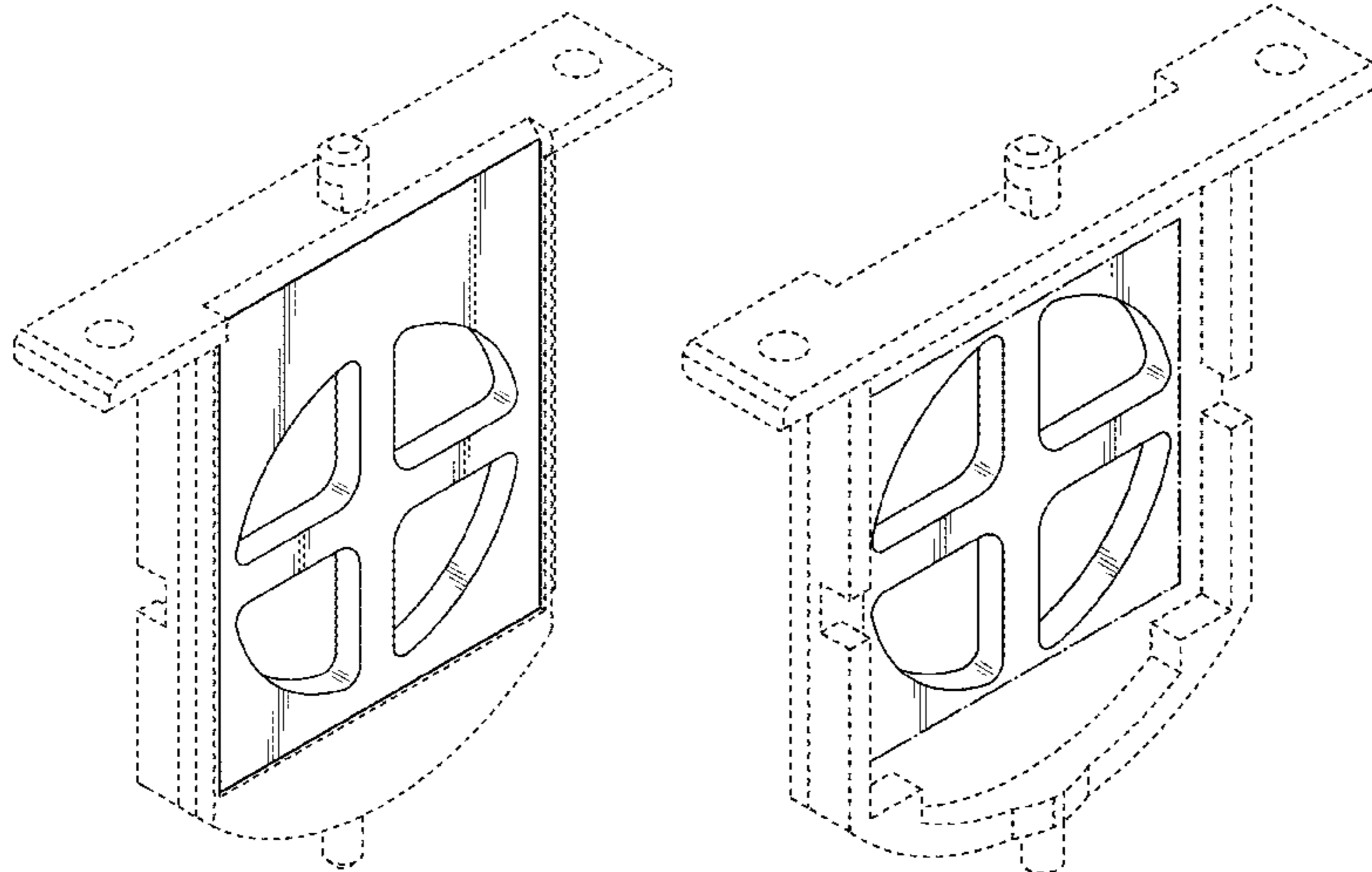
FIG. 12 is a cross-sectional view thereof, taken along line 12-12 of the area defined between A and B in FIG. 3;

FIG. 13 is a cross-sectional view thereof, taken along line 13-13 of the area defined between A and B in FIG. 3; and,

FIG. 14 is a cross-sectional view thereof, taken along line 14-14 of the area defined between A and B in FIG. 3.

The broken lines depict portions of the frame body for use in an optical member of a lens for a camera in which the design is embodied that form no part of the claimed design. The dash-dot lines denote the boundary of the claim and form no part of the claimed design.

1 Claim, 9 Drawing Sheets



(58) **Field of Classification Search**

USPC D22/137, 140; D15/78; 348/373–376;
359/826–828; 396/529–532, 535,
396/539–541

CPC G03B 17/02; G03B 19/04; G03B 17/56;
G03B 17/04; G03B 15/03; G03B 17/14;
H04N 5/2251; H04N 5/2252; H04N
5/2253; H04N 5/2254; G02B 7/02; G02B
7/04; G02B 7/14

See application file for complete search history.

(56) **References Cited**

U.S. PATENT DOCUMENTS

D307,153	S	*	4/1990	Martin	D16/130
D369,370	S	*	4/1996	Wray	D16/132
D527,070	S	*	8/2006	Venes	D22/137
D666,228	S	*	8/2012	Schneider	D16/136
D666,229	S	*	8/2012	Schneider	D16/136
D672,799	S	*	12/2012	Schneider	D16/130
D673,198	S	*	12/2012	Schneider	D16/130
D719,598	S	*	12/2014	Chang	D16/134
D741,448	S	*	10/2015	Hancock	D22/140
D776,737	S	*	1/2017	Horton	D16/136
D836,423	S	*	12/2018	Kulik	D8/358

OTHER PUBLICATIONS

Japanese Office Action for Japanese Design Application No. 2020-014459, dated Dec. 24, 2020, with English translation.

Japanese Office Action for Japanese Design Application No. 2020-018453, dated Dec. 24, 2020, with English translation.

* cited by examiner

FIG. 1

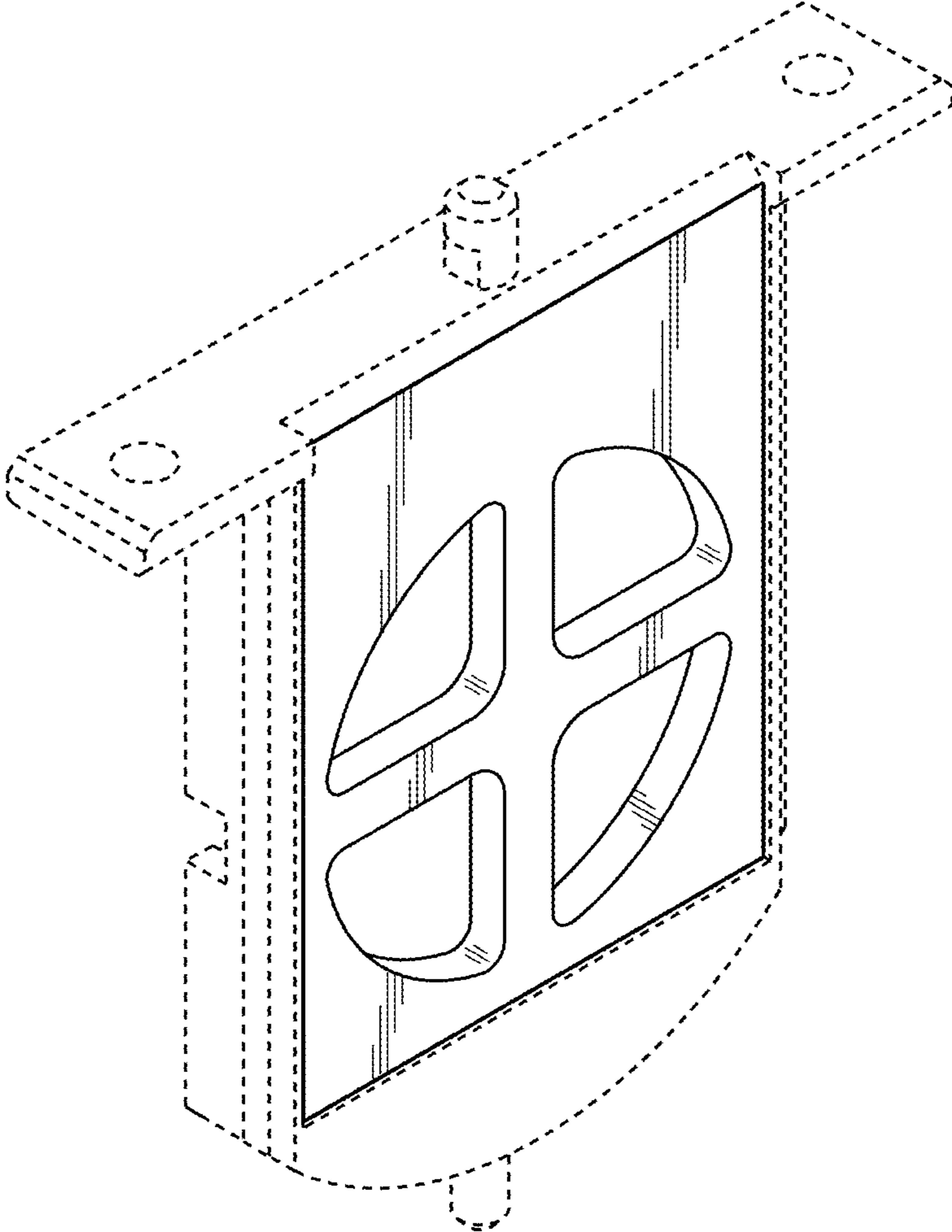


FIG. 2

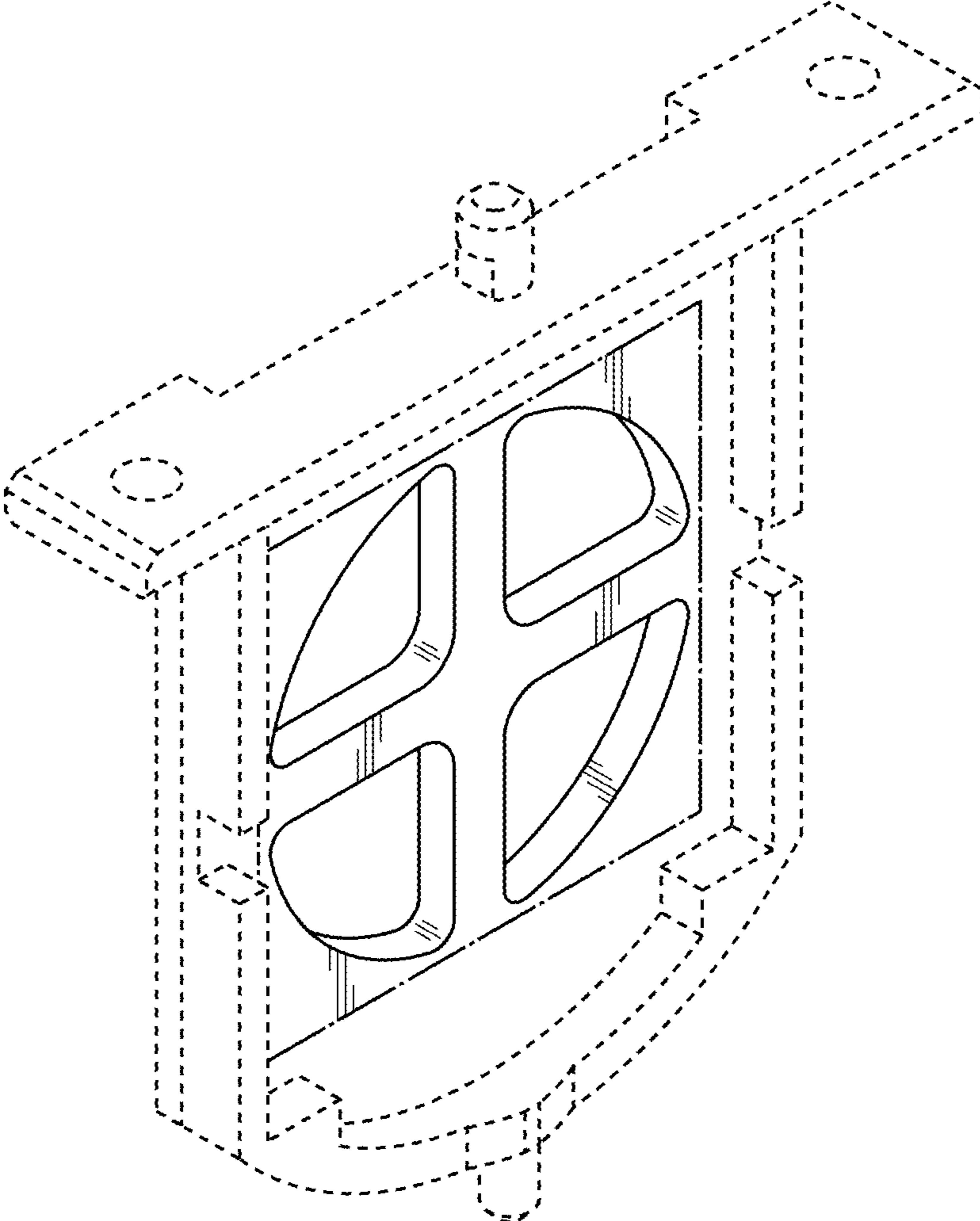


FIG. 3

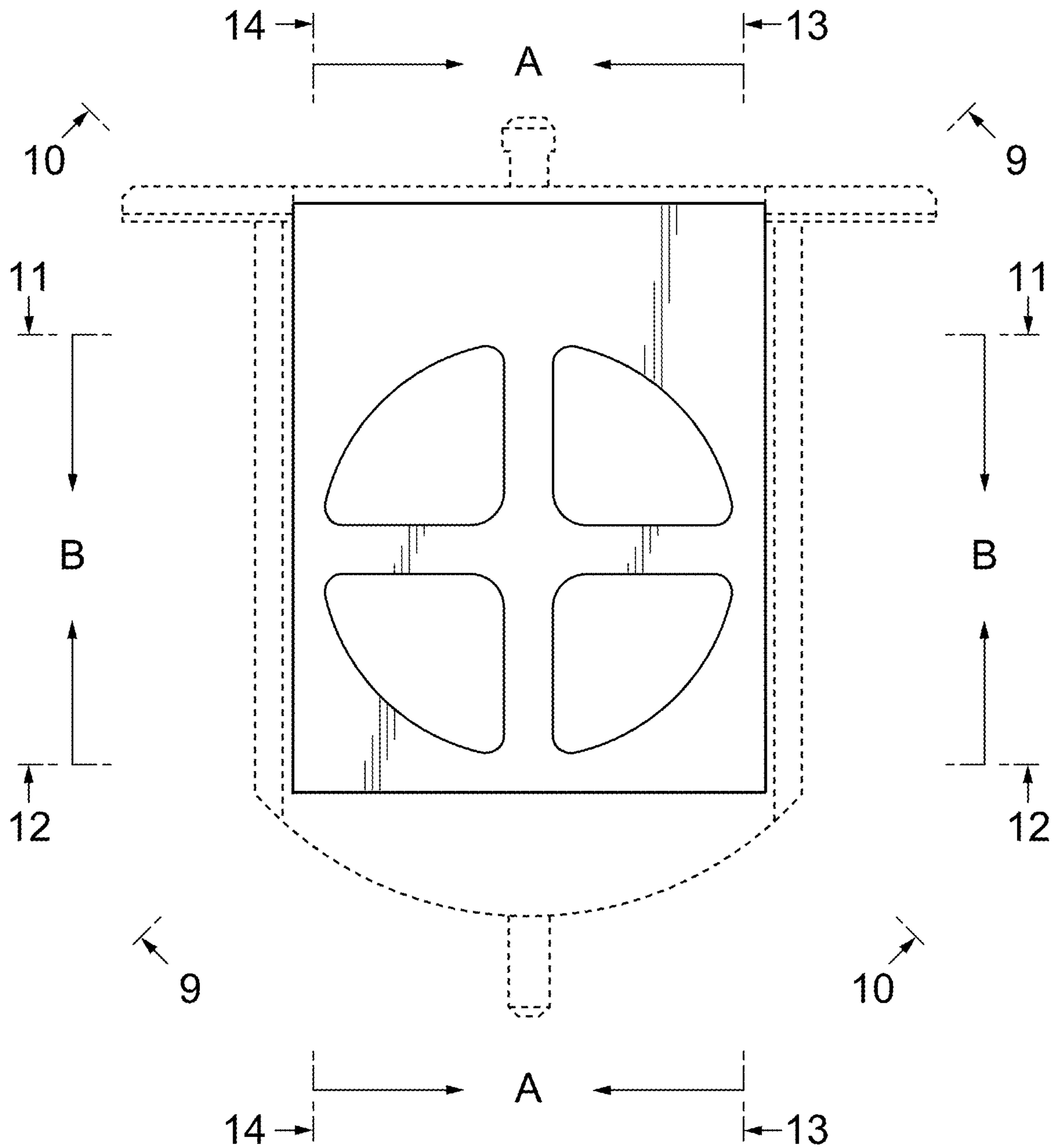


FIG. 4

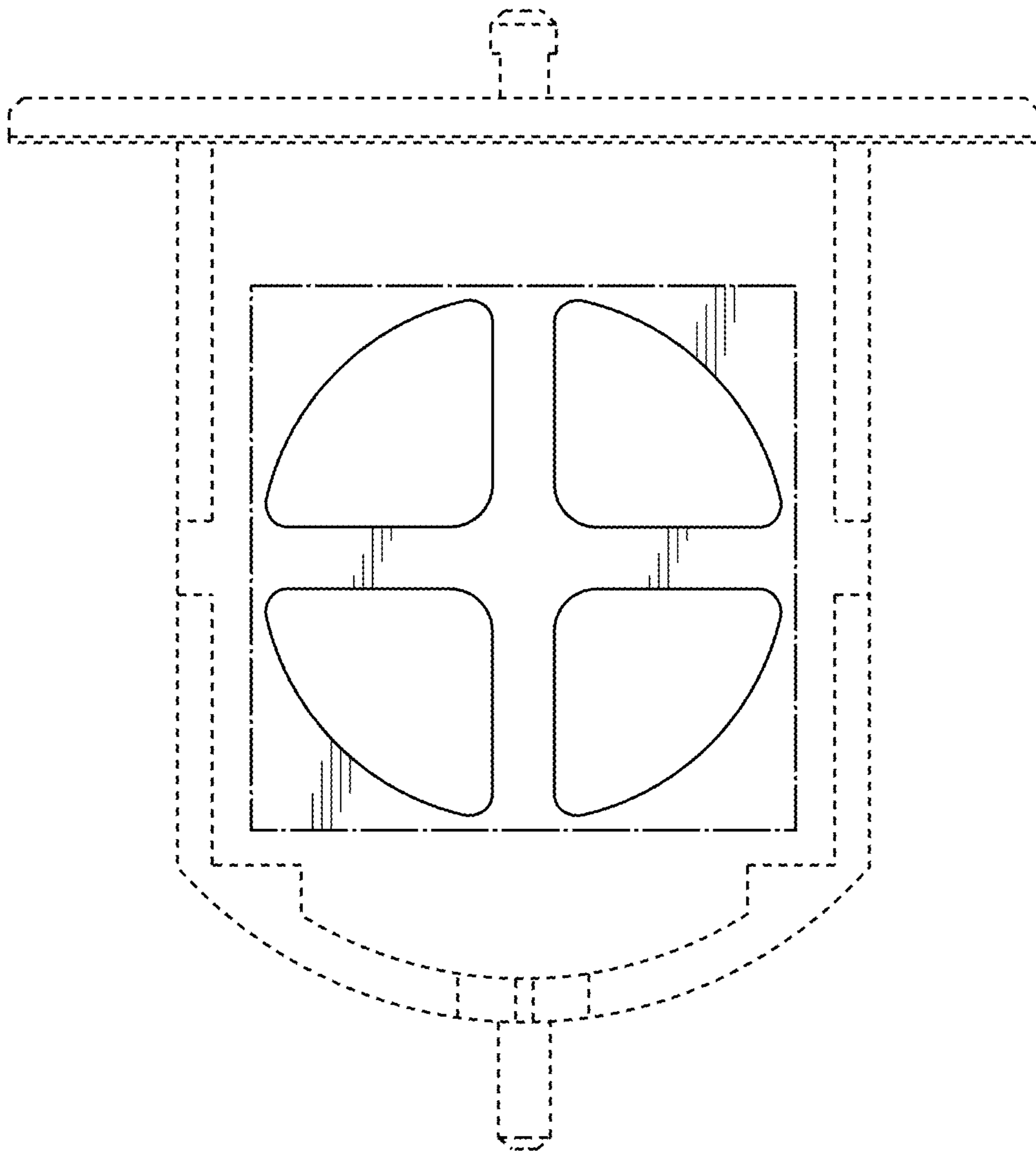


FIG. 5

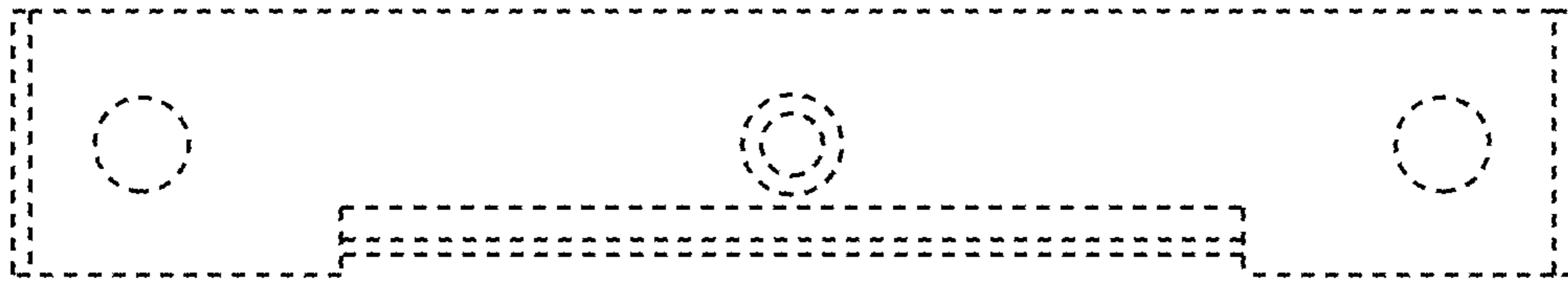


FIG. 6

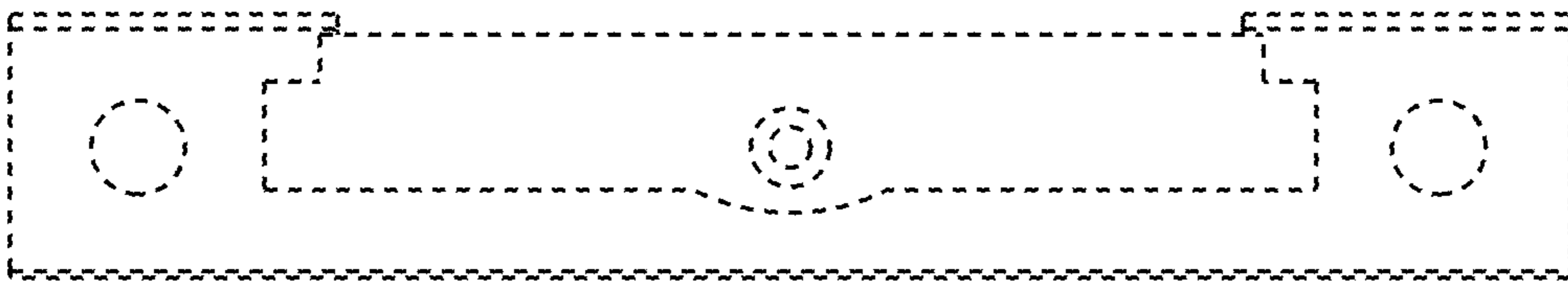


FIG. 7

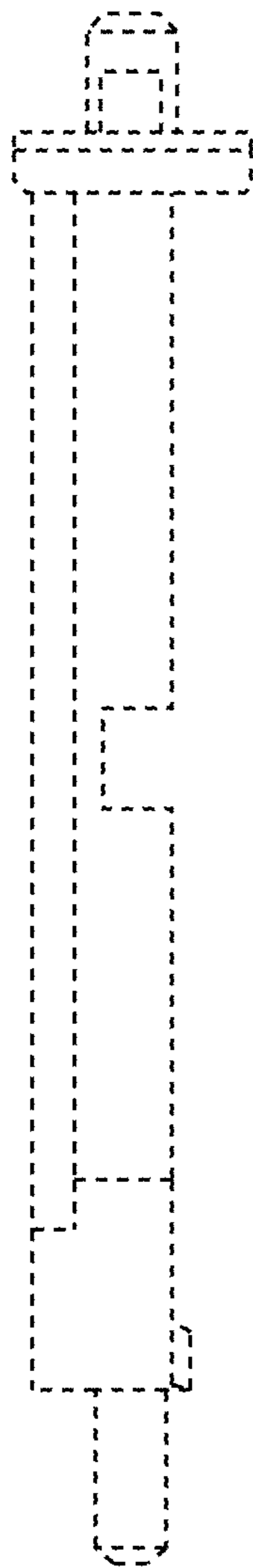


FIG. 8

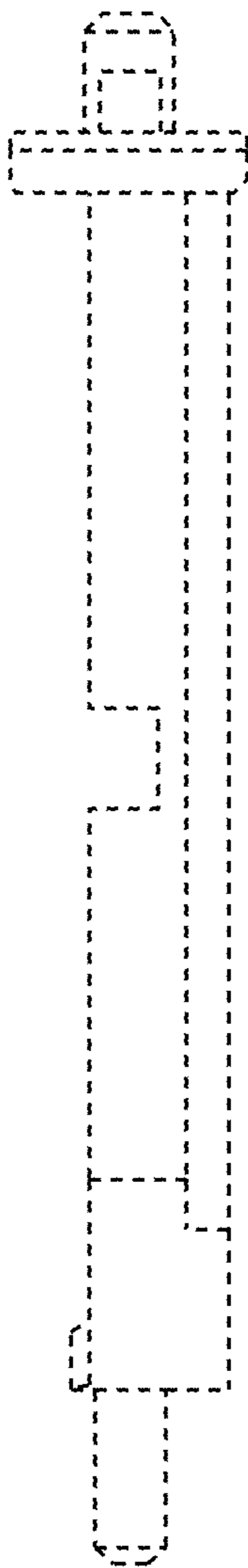


FIG. 9



FIG. 10



FIG. 11



FIG. 12



FIG. 13



FIG. 14

