



US00D975166S

(12) **United States Design Patent** (10) **Patent No.:** **US D975,166 S**
Weber et al. (45) **Date of Patent:** **** Jan. 10, 2023**

(54) **OBJECTIVE LENS**

FOREIGN PATENT DOCUMENTS

(71) Applicant: **Carl Zeiss AG**, Oberkochen (DE)

BR DI7002221 F 5/2011
BR DI7002892 F 8/2011

(72) Inventors: **Uwe Weber**, Aalen (DE); **Christophe Casenave**, Aalen (DE)

(Continued)

(73) Assignee: **Carl Zeiss AG**, Oberkochen (DE)

Primary Examiner — Ramzi Almatrahi
(74) *Attorney, Agent, or Firm* — Ewers IP Law PLLC;
Falk Ewers

(**) Term: **15 Years**

(57) **CLAIM**

(21) Appl. No.: **29/721,943**

The ornamental design for an objective lens, as shown and described.

(22) Filed: **Jan. 24, 2020**

DESCRIPTION

(51) **LOC (14) Cl.** **16-05**

(52) **U.S. Cl.**
USPC **D16/219**

(58) **Field of Classification Search**
USPC D16/134, 136, 200, 202–205, 218, 219,
D16/235, 242; 348/373–376;
359/826–828; 396/529–532, 535,
396/539–541
CPC G03B 17/02; G03B 19/04; G03B 17/56;
G03B 17/04; G03B 15/03; G03B 17/14;
H04N 5/2251; H04N 5/2252; H04N
5/2253; H04N 5/2254; G02B 7/02; G02B
7/04; G02B 7/14

See application file for complete search history.

The file of this patent contains at least one drawing/photograph executed in color. Copies of this patent with color drawing(s)/photograph(s) will be provided by the Office upon request and payment of the necessary fee.

FIG. 1 is a left side elevation view of a first embodiment of an objective lens showing our new design;

FIG. 2 is a bottom plan view thereof;

FIG. 3 is a front elevation view thereof;

FIG. 4 is a rear elevation view thereof;

FIG. 5 is a right side elevation view thereof;

FIG. 6 is a top plan view thereof;

FIG. 7 is a top and right side perspective view thereof;

FIG. 8 is a left side elevation view of a second embodiment of an objective lens showing our new design;

FIG. 9 is a bottom plan view thereof;

FIG. 10 is a front elevation view thereof;

FIG. 11 is a rear elevation view thereof;

FIG. 12 is a right side elevation view thereof;

FIG. 13 is a top plan view thereof; and,

FIG. 14 is a top and right side perspective view thereof.

The broken lines and the faded areas depict portions of the objective lens in which the design is embodied that form no part of the claimed design.

(56) **References Cited**

U.S. PATENT DOCUMENTS

D243,172 S 1/1977 Uetake et al.
D247,500 S 3/1978 Isono
D247,569 S 3/1978 Isono
D548,261 S 8/2007 Nakamura
D548,262 S 8/2007 Nakamura
D562,863 S 2/2008 Yasutomi
D562,865 S 2/2008 Yasutomi
D566,158 S 4/2008 Yasutomi
D665,837 S 8/2012 Tainaka

(Continued)

1 Claim, 14 Drawing Sheets
(14 of 14 Drawing Sheet(s) Filed in Color)



(56)

References Cited

U.S. PATENT DOCUMENTS

D682,911 S 5/2013 Ohashi
 D696,709 S 12/2013 Sato
 D697,543 S 1/2014 Kim
 D702,750 S 4/2014 Yoon
 D702,751 S 4/2014 Yoon
 D718,361 S 11/2014 Noh
 D724,644 S 3/2015 Tainaka
 D737,358 S 8/2015 Park et al.
 D737,360 S 8/2015 Jung et al.
 D741,936 S 10/2015 Chu et al.
 D741,937 S 10/2015 Park et al.
 D741,938 S 10/2015 Lee et al.
 D764,562 S 8/2016 Kim et al.
 D781,949 S 3/2017 Lee et al.
 D783,078 S 4/2017 Kim et al.
 D783,700 S 4/2017 Tagawa et al.
 D831,093 S 10/2018 Tokiwa et al.
 D836,152 S 12/2018 Ikegame
 D837,277 S * 1/2019 Ikegame D16/219
 D881,262 S * 4/2020 Ikegame D16/219
 D882,668 S * 4/2020 Ikegame D16/219
 D886,179 S * 6/2020 Moller D16/219
 D890,244 S * 7/2020 Ikegame D16/219
 D903,741 S * 12/2020 Kim D16/219
 D904,492 S * 12/2020 Saito D16/219
 D918,987 S * 5/2021 Mori D16/219
 2015/0116535 A1 4/2015 Wu et al.

FOREIGN PATENT DOCUMENTS

CN 200630053339.4 5/2007
 CN 201330282419.7 2/2014
 DE M9708473-0001 10/1998
 DE 402012005765-0001 3/2013
 DE 402012005765-0002 3/2013
 DE 402013001317-0001 3/2013
 DE 402013001317-0002 3/2013
 DE 402013001318-0001 3/2013
 DE 402013001318-0002 3/2013
 DE 402013001318-0003 3/2013
 DE 402013001318-0004 3/2013
 DE 402013001318-0005 3/2013
 DE 402013001318-0006 3/2013
 DE 402016000911-0001 10/2016
 DE 402016000911-0002 10/2016
 EM 000840152-0001 1/2008

EM 000840152-0002 1/2008
 EM 000840152-0003 1/2008
 EM 000840152-0004 1/2008
 EM 002015644-0001 3/2012
 EM 002015644-0002 3/2012
 EM 002015644-0003 3/2012
 EM 002182774-0001 2/2013
 EM 002182774-0002 2/2013
 EM 002182774-0003 2/2013
 EM 002260018-0001 7/2013
 EM 002260018-0002 7/2013
 EM 001381255-0001 10/2013
 EM 001381255-0002 10/2013
 EM 001381255-0003 10/2013
 EM 001381255-0004 10/2013
 EM 001381255-0005 10/2013
 EM 001381255-0006 10/2013
 EM 001381255-0007 10/2013
 EM 001381255-0008 10/2013
 EM 001381255-0009 10/2013
 EM 001381255-0010 10/2013
 EM 001381255-0011 10/2013
 EM 001381255-0012 10/2013
 EM 001381255-0013 10/2013
 EM 001381255-0014 10/2013
 EM 001381255-0015 10/2013
 EM 001381255-0016 10/2013
 EM 001383582-0001 10/2013
 EM 001383582-0002 10/2013
 EM 001383582-0003 10/2013
 EM 001383582-0004 10/2013
 EM 001383582-0005 10/2013
 EM 001383582-0006 10/2013
 EM 001383582-0007 10/2013
 EM 001383582-0008 10/2013
 EM 001383582-0009 10/2013
 EM 001383582-0010 10/2013
 EM 001383582-0011 10/2013
 EM 001383582-0012 10/2013
 EM 001383582-0013 10/2013
 EM 001383582-0014 10/2013
 EM 002736751-0001 7/2015
 EM 004119022-0003 8/2017
 EM 004375731-0001 10/2017
 EM 005839339-0001 12/2018
 EM 006454575-0001 5/2019
 RU 98346 6/2015
 WO D094596-0001 2/2017
 WO D094596-0002 2/2017

* cited by examiner

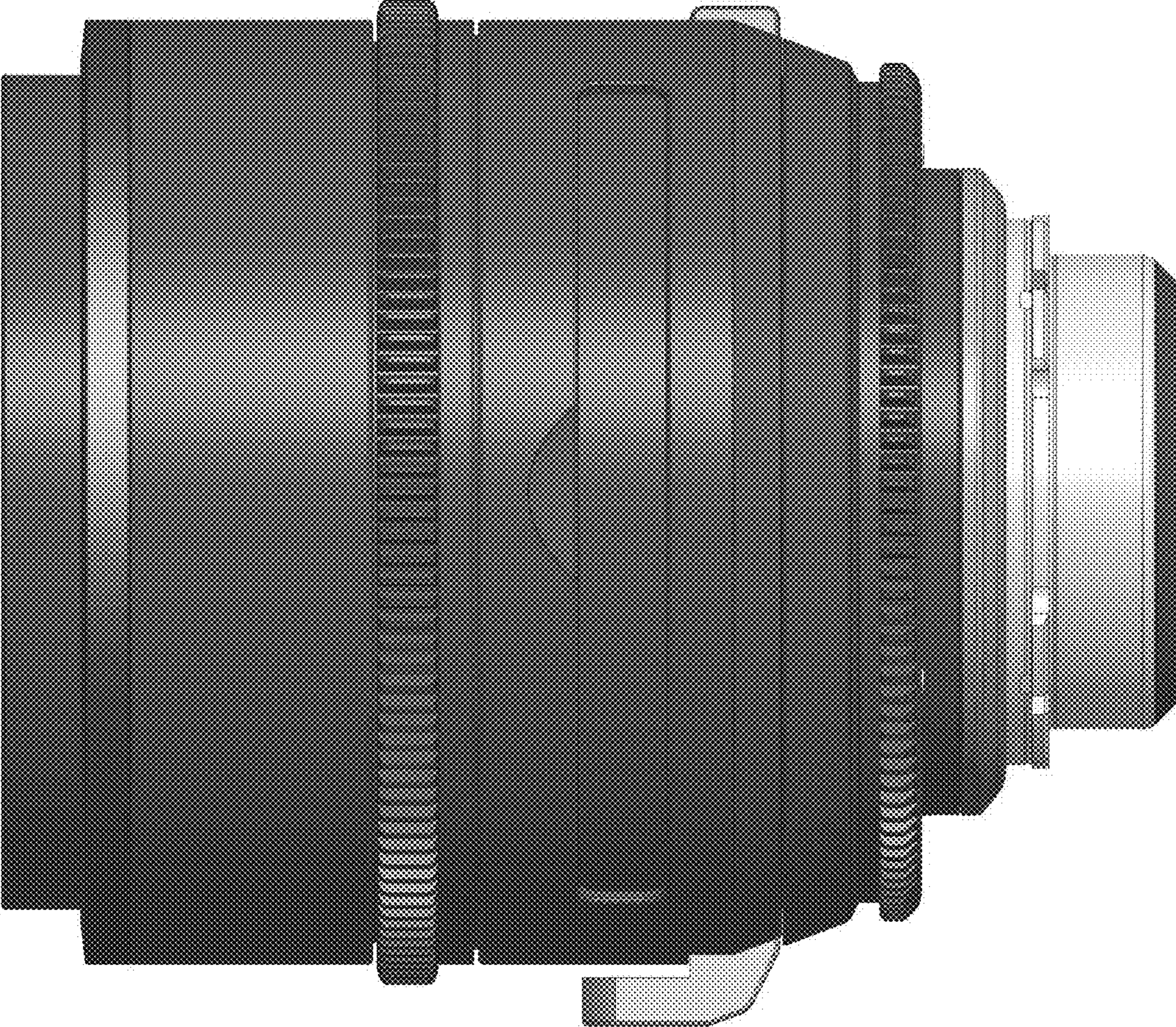


FIG. 1

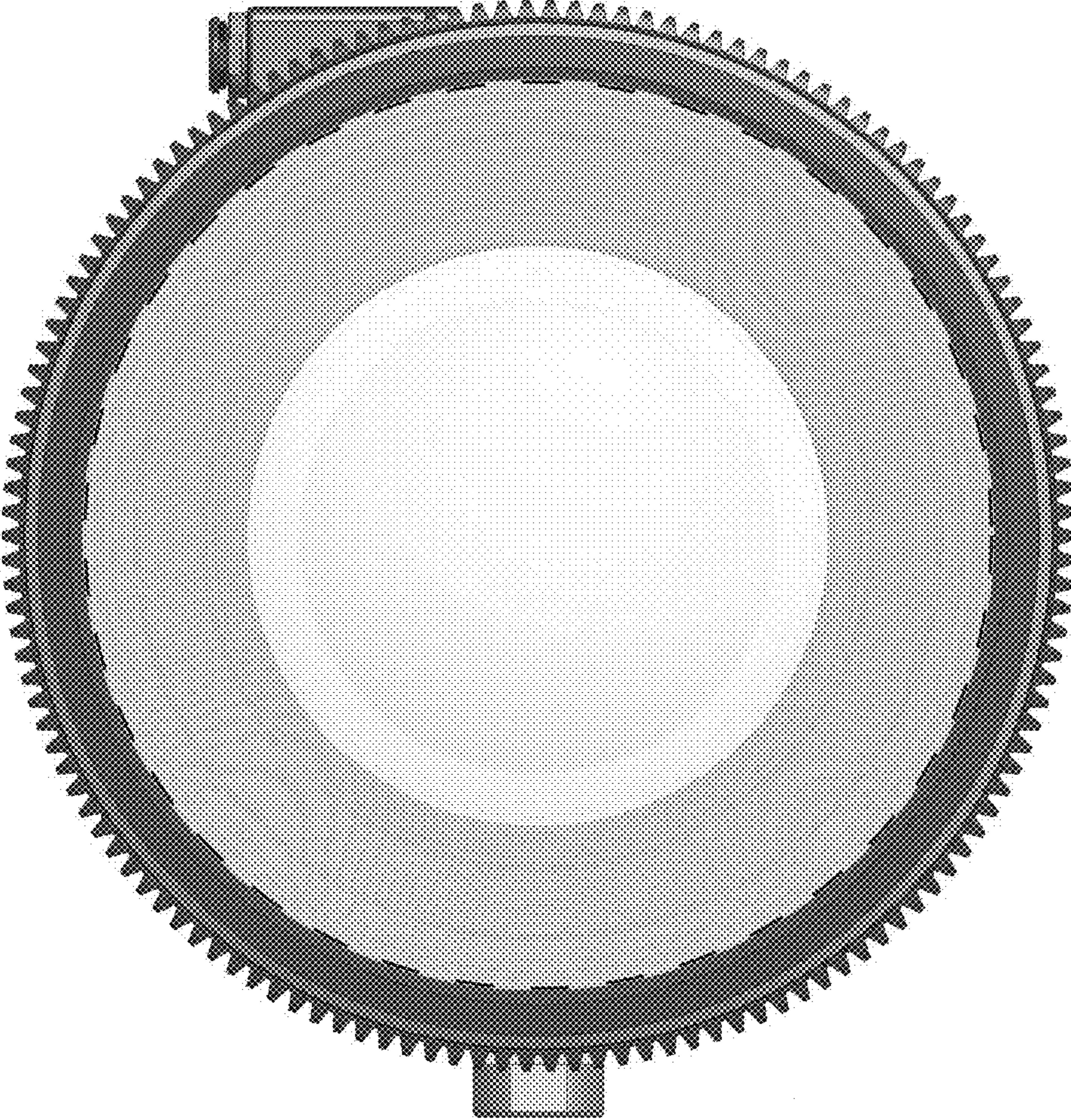


FIG. 2



FIG. 3

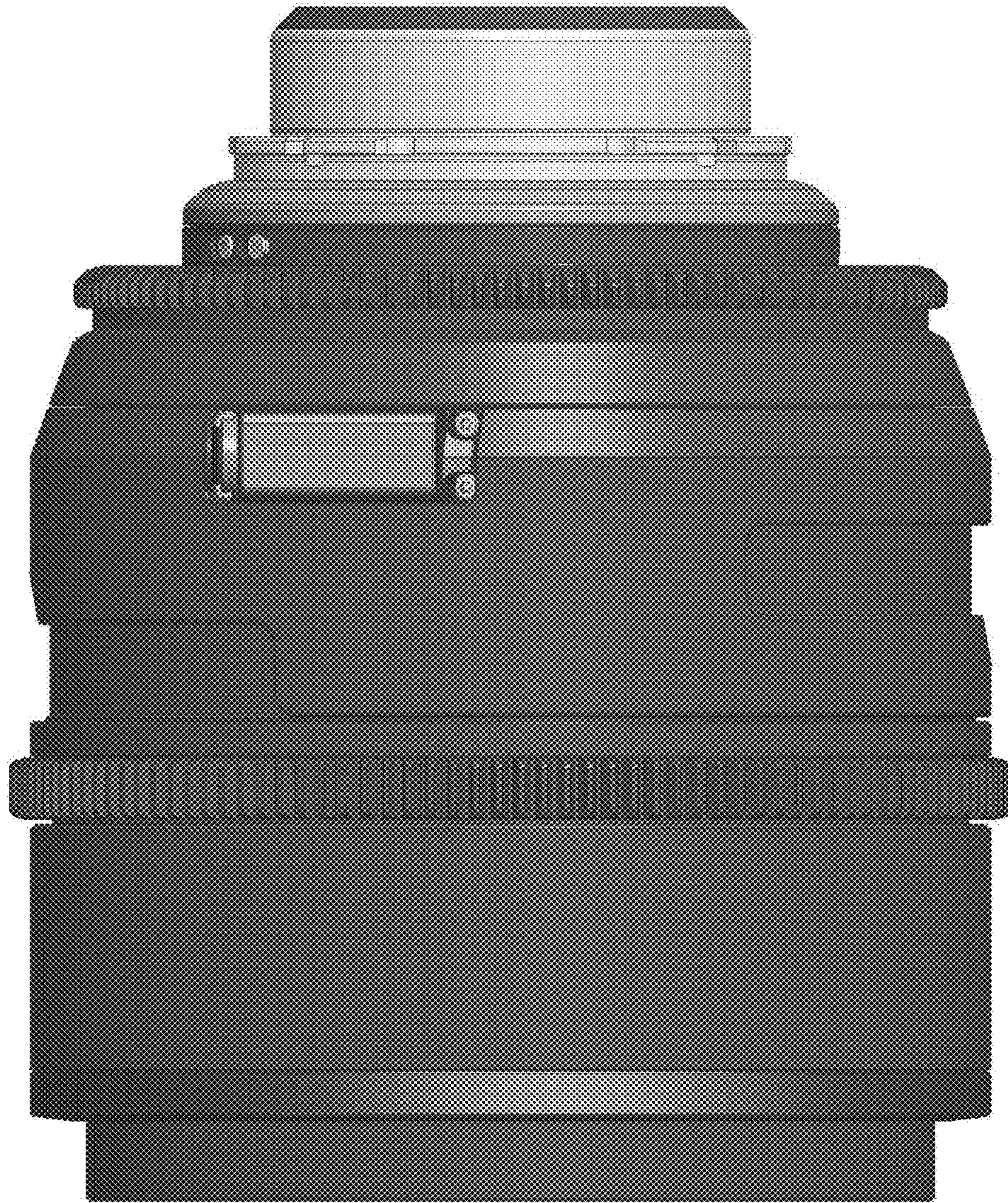


FIG. 4



FIG. 5



FIG. 6



FIG. 7

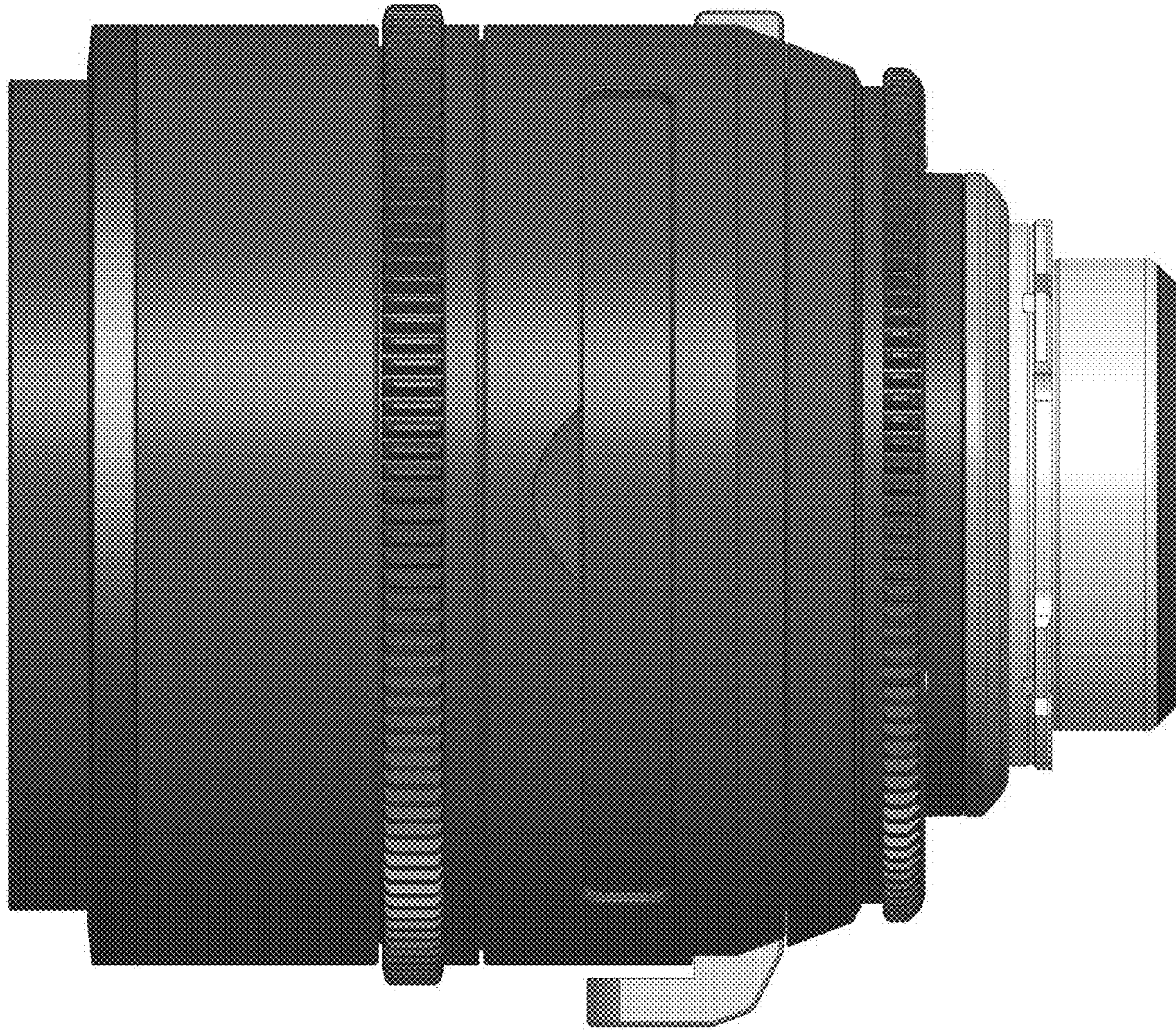


FIG. 8

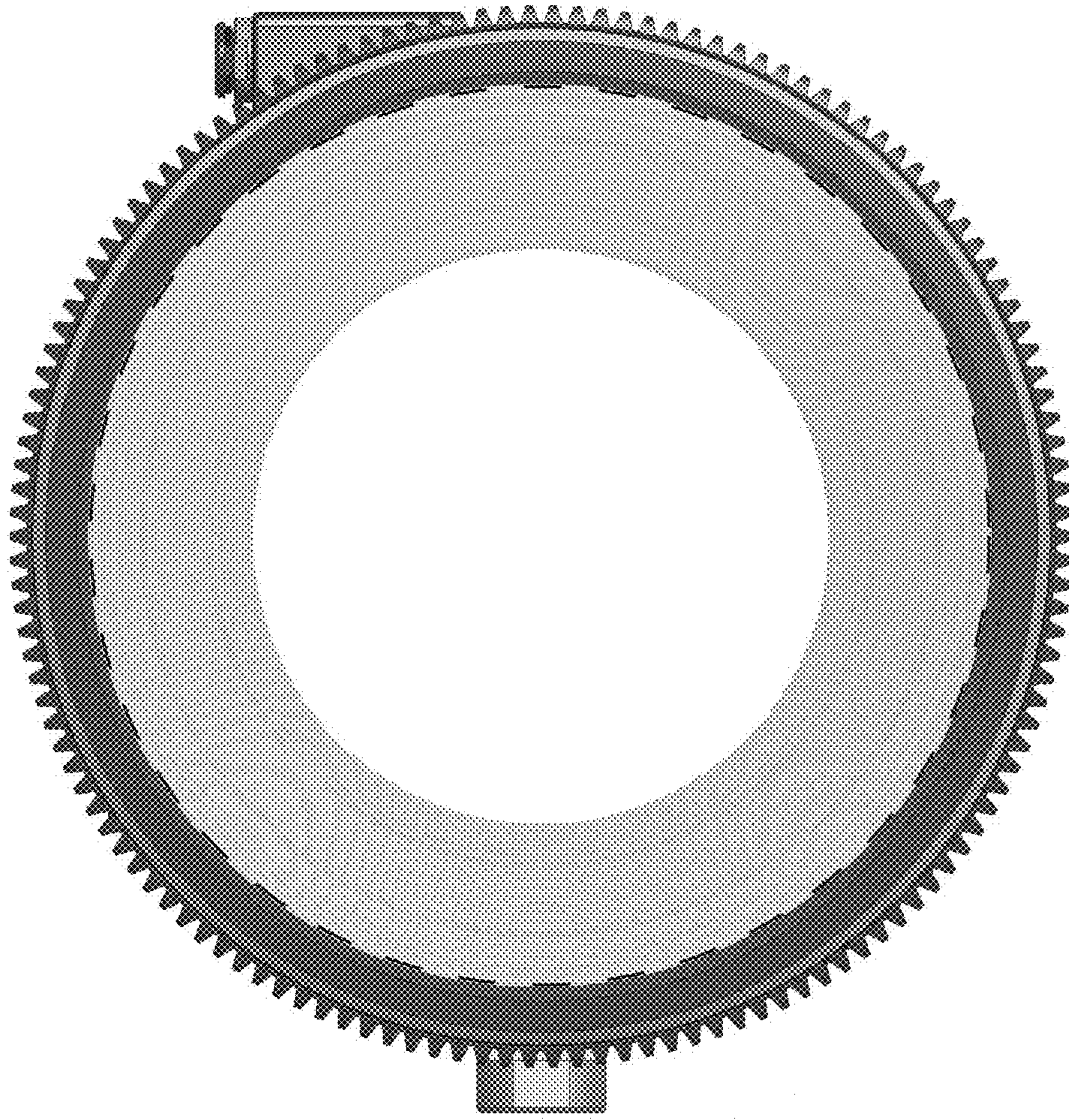


FIG. 9



FIG. 10

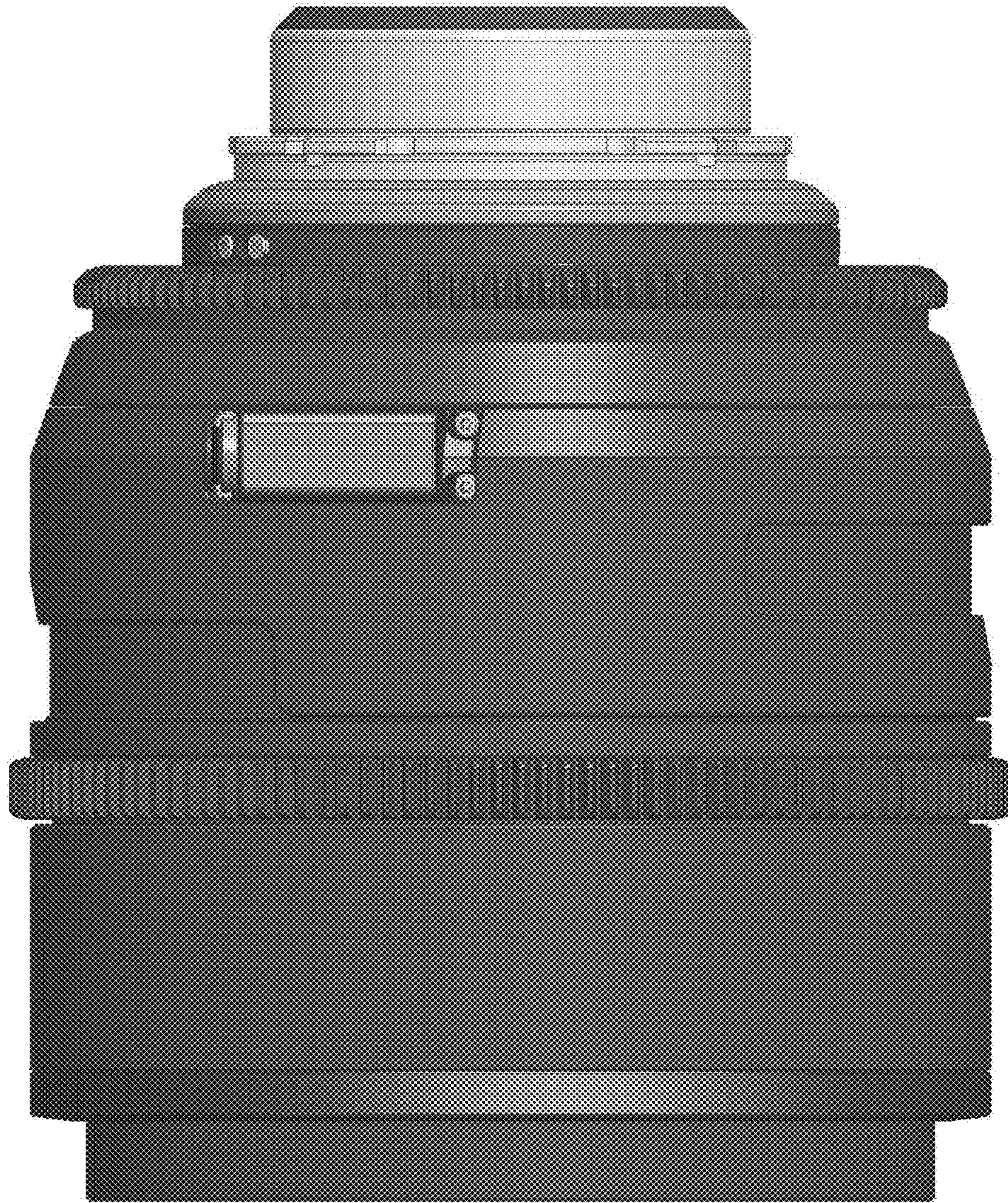


FIG. 11



FIG. 12



FIG. 13



FIG. 14